



US00D388724S

United States Patent [19]

Victor et al.

[11] Patent Number: **Des. 388,724**

[45] Date of Patent: ****Jan. 6, 1998**

[54] **ROAD MARKER**

[75] Inventors: **Ronald D. Victor**, Edison, N.J.; **Philip Martin**, Coral Gables, Fla.; **Randi Goldstein**, Owings Mills, Md.

[73] Assignee: **Creative Innovations, Inc.**, Plantation, Fla.

[**] Term: **14 Years**

[21] Appl. No.: **64,577**

[22] Filed: **Jan. 6, 1997**

[51] LOC (6) Cl. **10-05**

[52] U.S. Cl. **D10/109; D10/113; D20/31**

[58] Field of Search **D10/104, 109, D10/111, 113, 121; 40/1, 584, 606, 607, 608, 609, 610, 611, 612; 116/63 T, 63 P, 63 C**

[56] **References Cited**

U.S. PATENT DOCUMENTS

- D. 74,859 4/1928 Alexander D10/109
- D. 99,034 3/1936 Le Fevre D10/109

- D. 199,471 10/1964 Zeibow D10/109
- D. 220,013 2/1971 Kaltman D10/109
- D. 251,693 4/1979 Van Koert D20/31
- D. 276,797 12/1984 Narens et al. D10/109
- D. 305,213 12/1989 Hughes D10/109
- D. 343,585 1/1994 Strong D10/109
- D. 344,685 3/1994 Caporale D10/109

Primary Examiner—Marcus A. Jackson
Attorney, Agent, or Firm—Phillips, Moore, Lempio & Finley

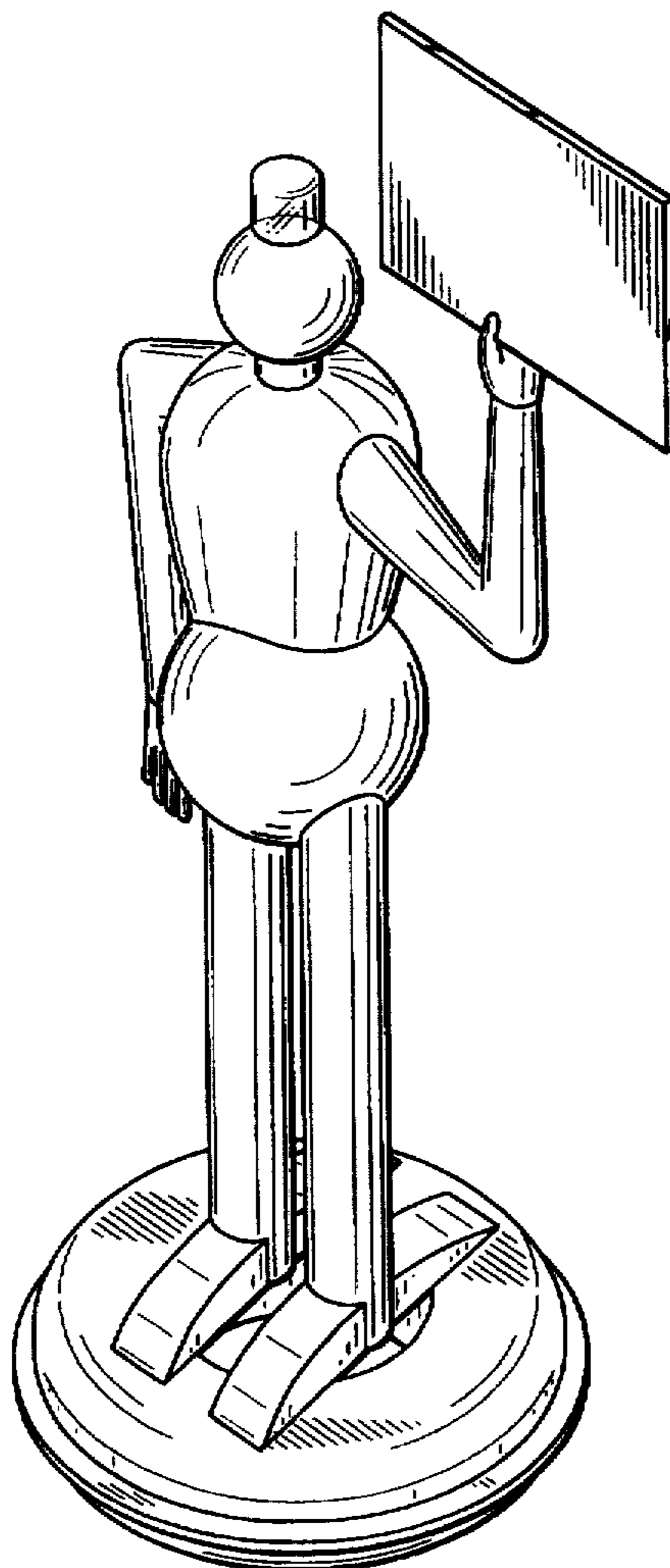
[57] **CLAIM**

The ornamental design for a road marker, as shown and described.

DESCRIPTION

FIG. 1 is a perspective view of a road marker showing our new design;
FIG. 2 is a front elevational view thereof;
FIG. 3 is a right side elevational view thereof;
FIG. 4 is a left side elevational view thereof;
FIG. 5 is a rear elevational view thereof;
FIG. 6 is a top plan view thereof; and,
FIG. 7 is a bottom plan view thereof.

1 Claim, 5 Drawing Sheets



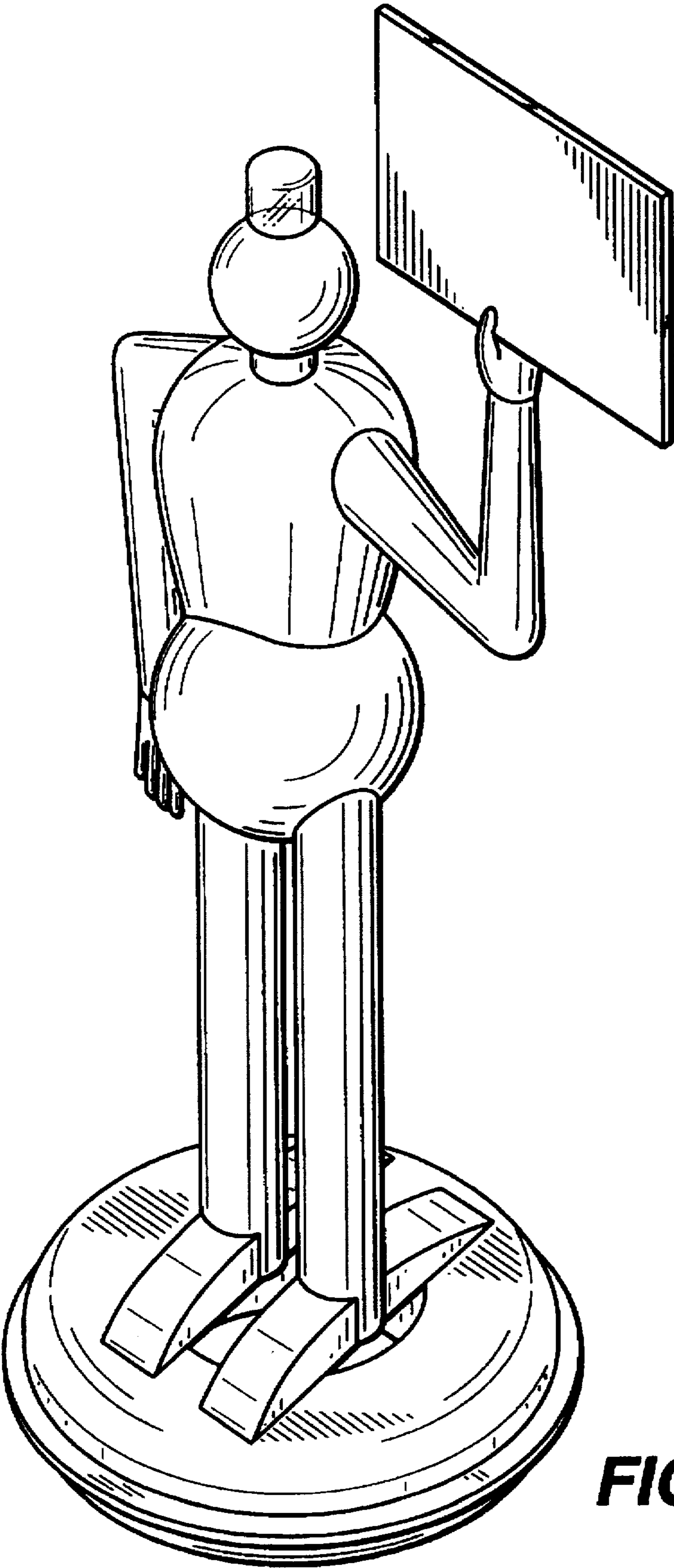


FIG. 1

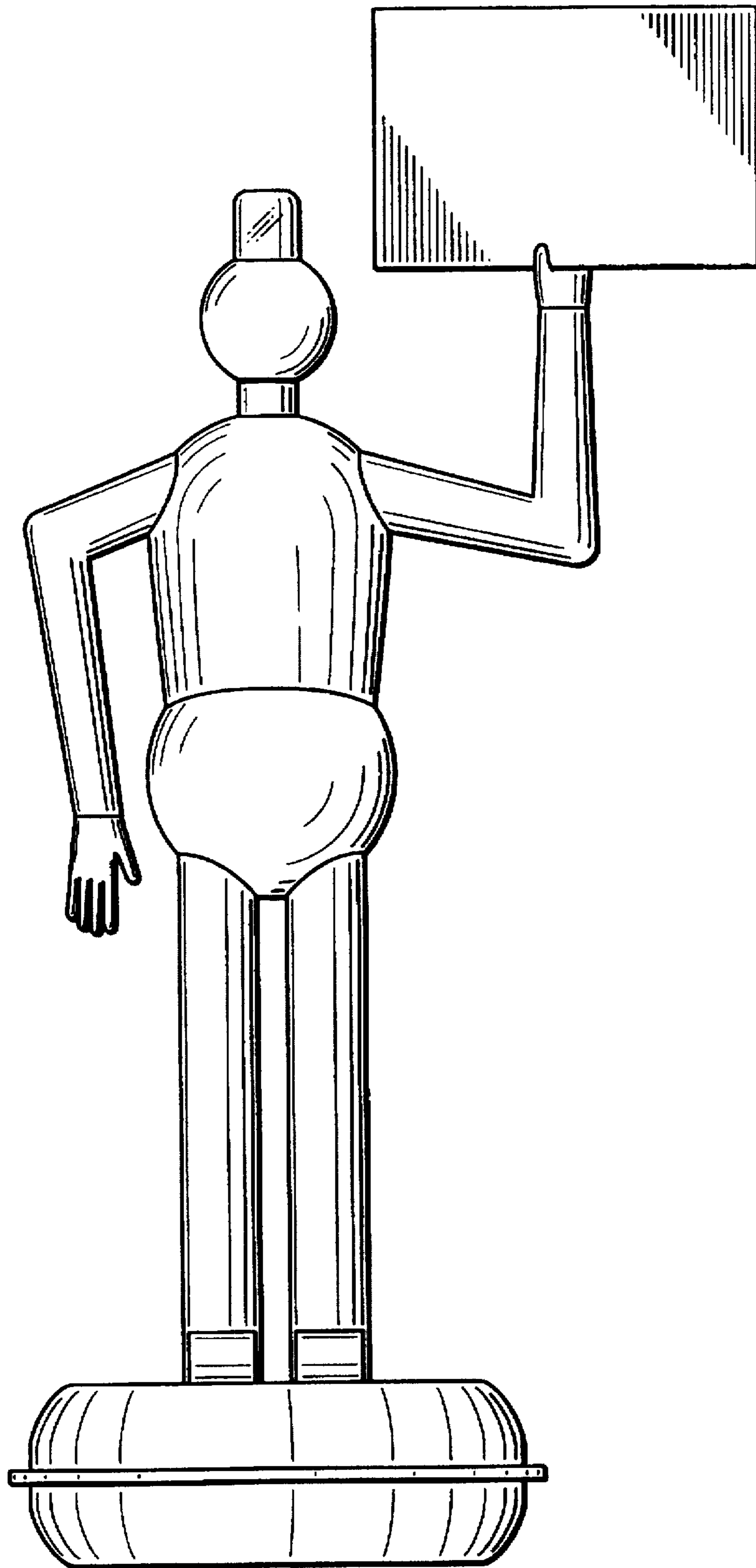


FIG. 2

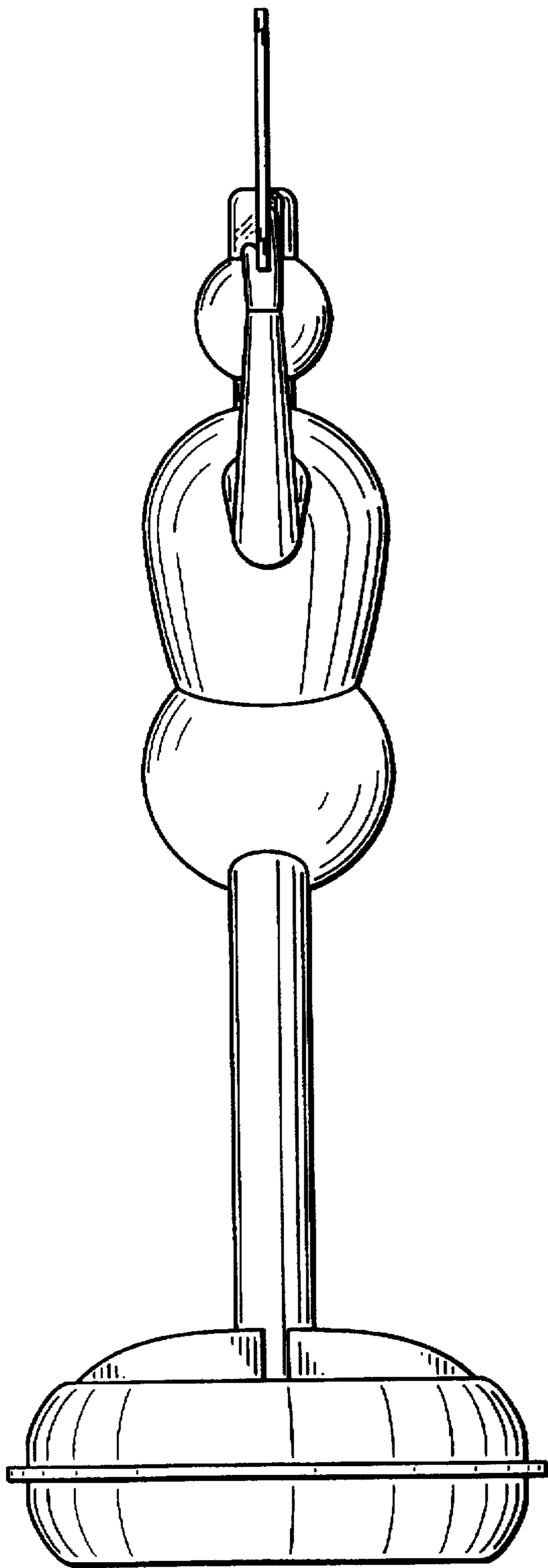


FIG._3

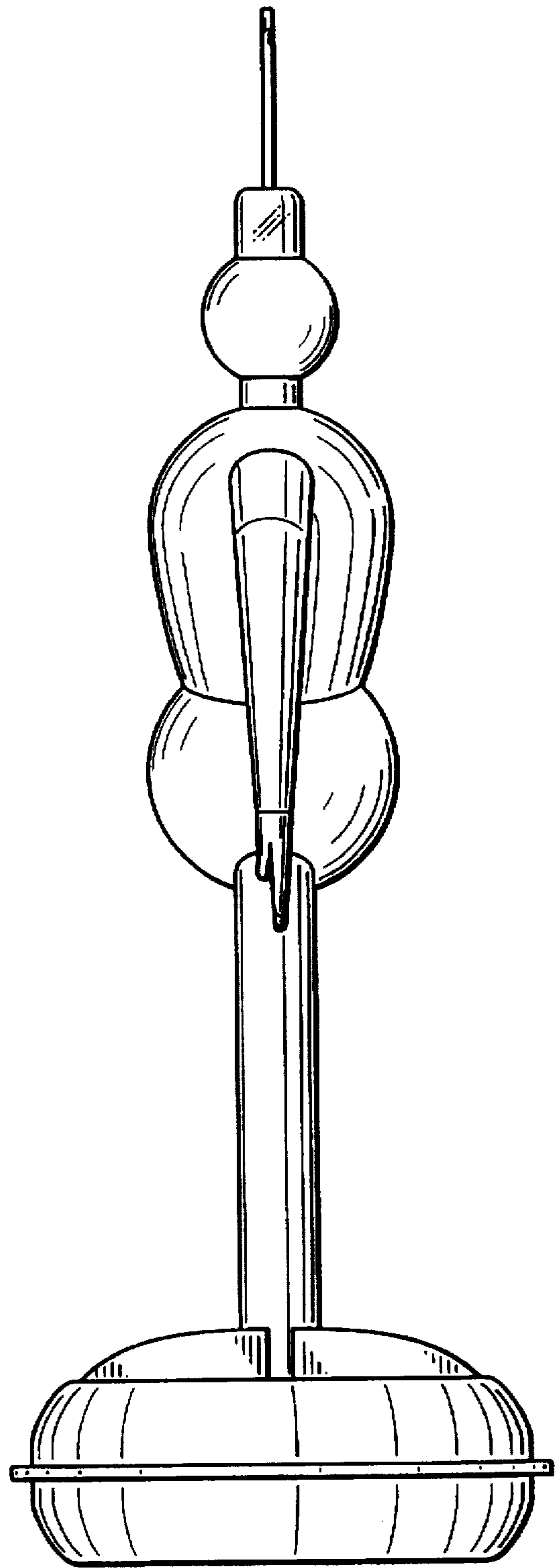


FIG._4

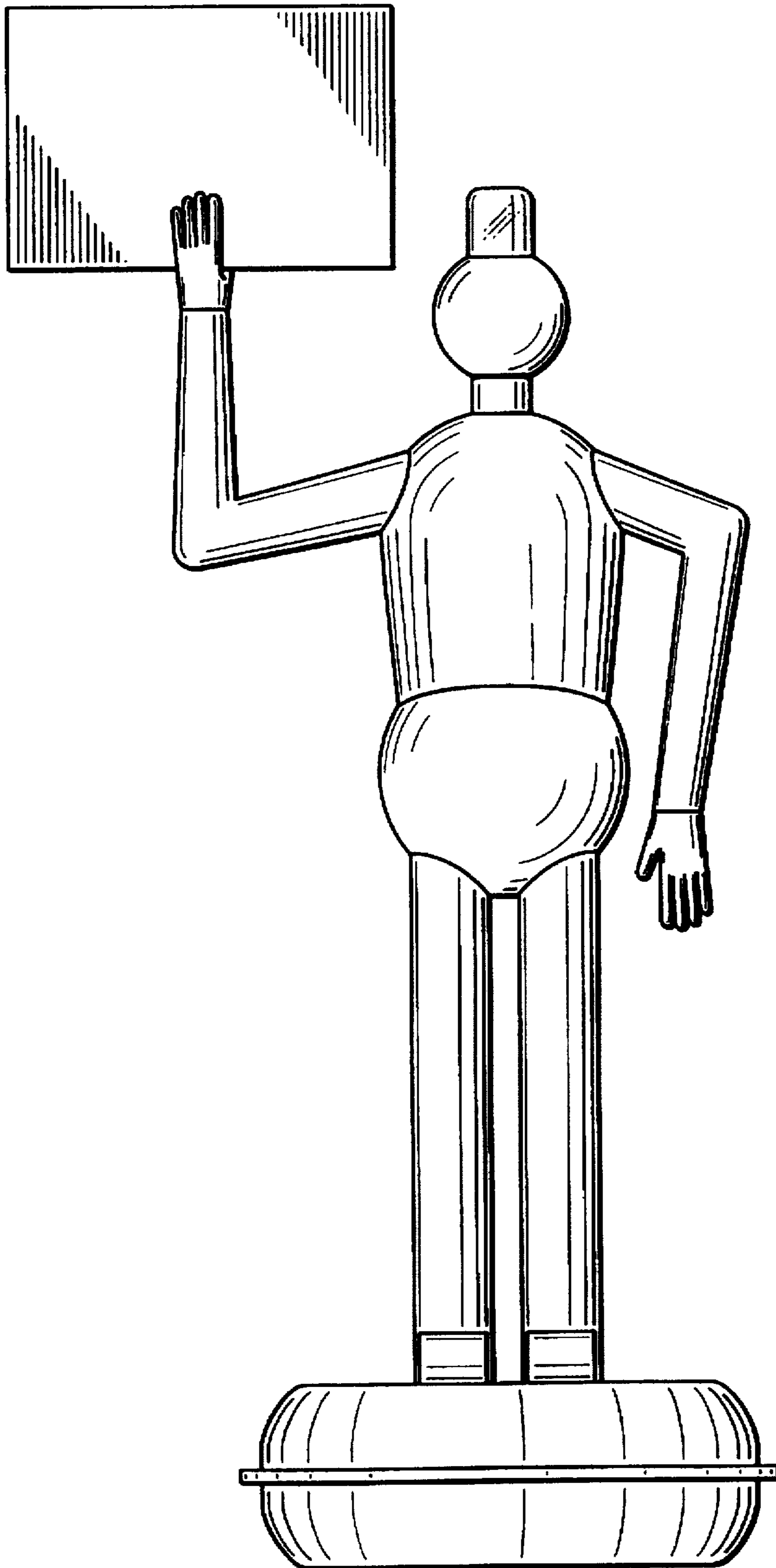


FIG._5

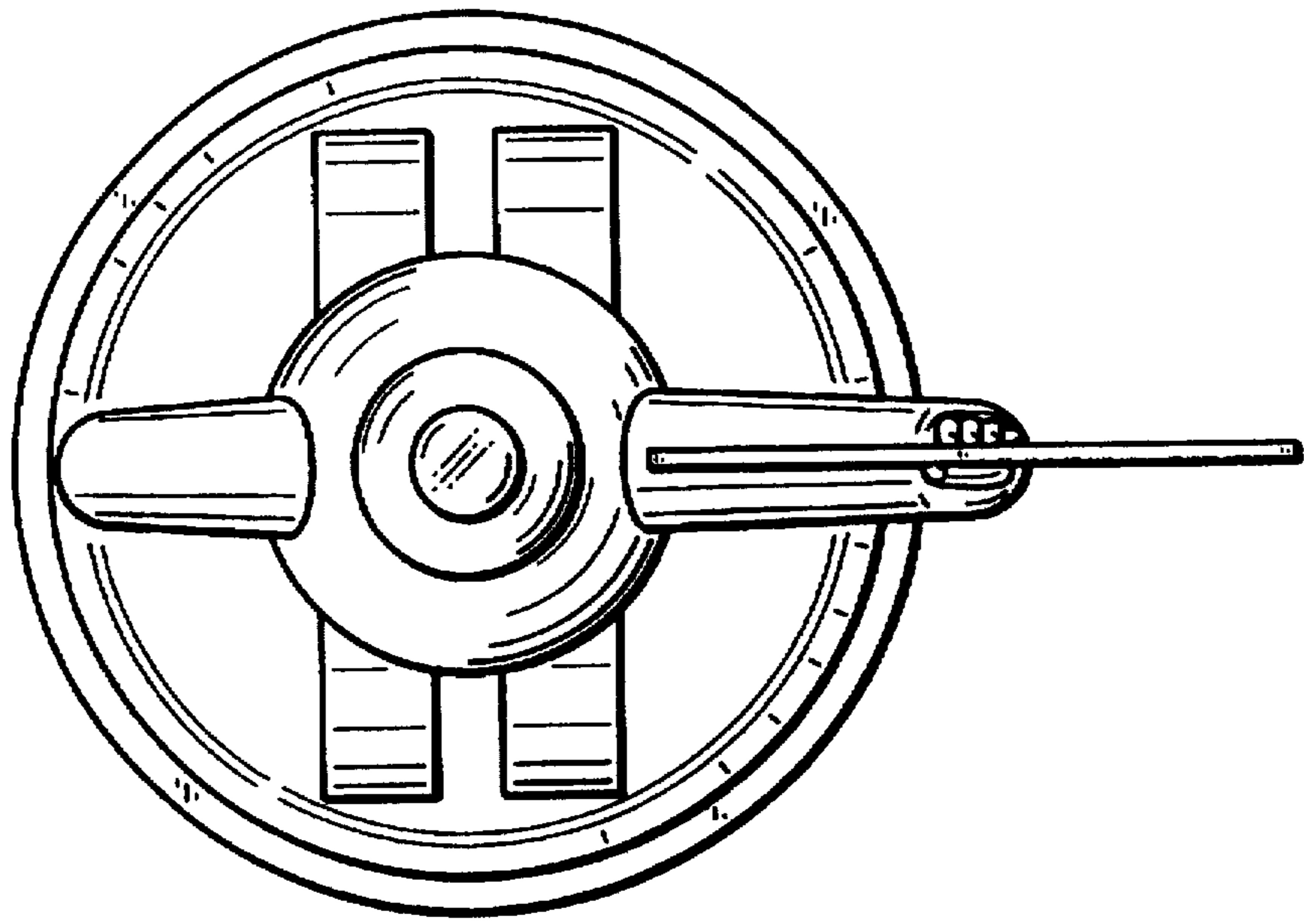


FIG. 6

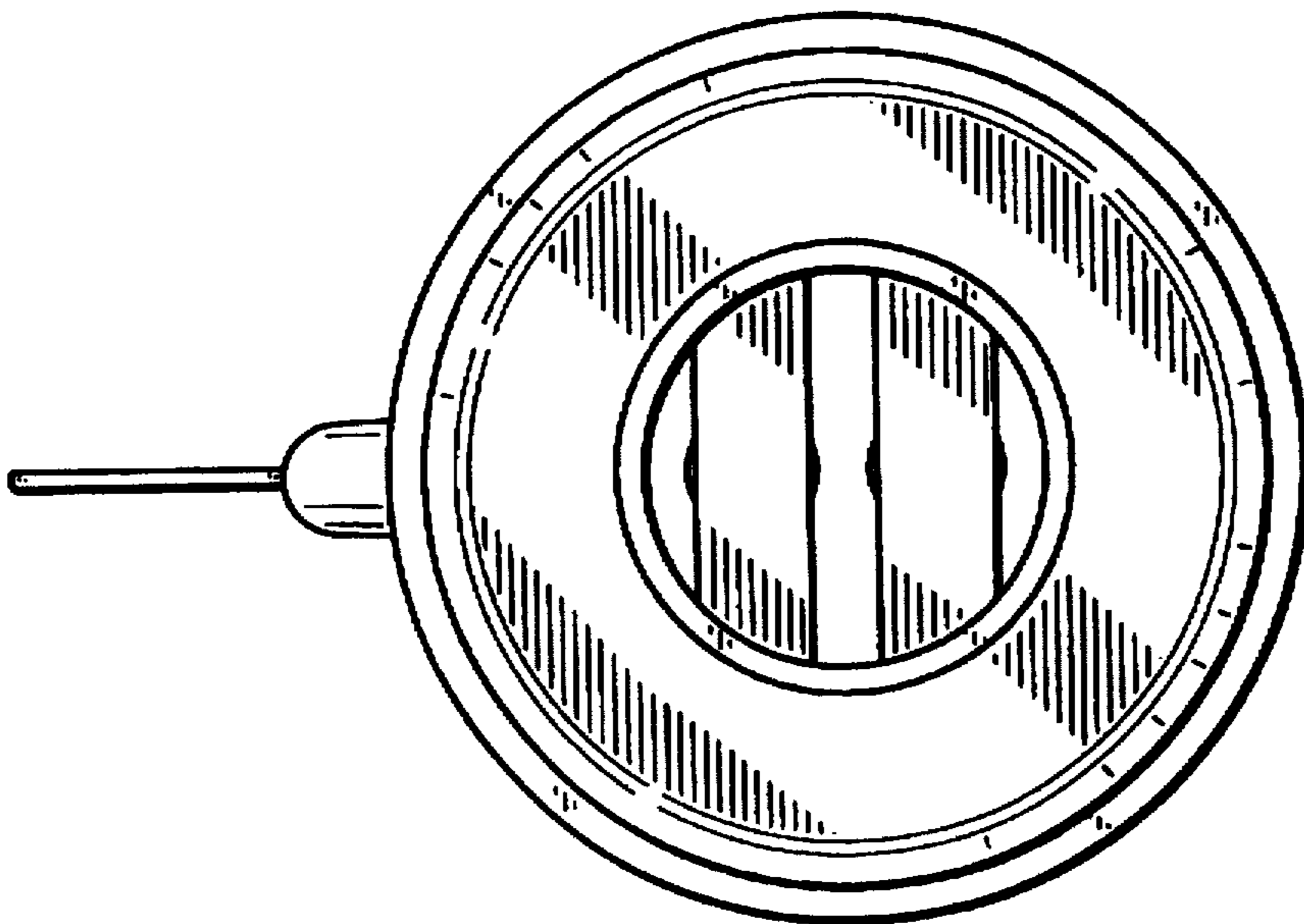


FIG. 7