



US00D388723S

United States Patent [19]

Williams, Jr. et al.

[11] Patent Number: **Des. 388,723**

[45] Date of Patent: ****Jan. 6, 1998**

[54] **FLASHING DISTRESS SIGNAL FOR VEHICLES WITH PUSH BUTTON ACTIVATOR AND STATUS INDICATOR LIGHT**

D. 360,654	7/1995	Castilloux	D20/42
D. 363,952	11/1995	Cook	D20/42
4,192,090	3/1980	Seth	340/472
4,607,444	8/1986	Foster	40/591
4,633,215	12/1986	Anders et al.	340/473

[76] Inventors: **Toxie P. Williams, Jr.; Jill Williams,** both of Rte. 3, Box 168-1, Seminary, Miss. 39479

Primary Examiner—Marcus A. Jackson
Attorney, Agent, or Firm—Pravel, Hewitt, Kimball & Krieger

[**] Term: **14 Years**

[57] CLAIM

[21] Appl. No.: **62,998**

The ornamental design for a flashing distress signal for vehicles with push button activator and status indicator light, as shown and described.

[22] Filed: **Nov. 19, 1996**

[51] LOC (6) Cl. **10-05**

[52] U.S. Cl. **D10/109; D26/31; D20/42**

[58] **Field of Search** D26/28-35; D10/109, D10/111, 114; 362/61, 74, 80, 80.1, 80.2, 82, 83, 83.2, 83.3; D20/10, 40, 41, 42

DESCRIPTION

FIG. 1 is an overall perspective view of an improved distress signal illustrating our new design with the broken line showing for illustrative purposes only and forming and no part of the claimed design;

FIG. 2 is a front elevational view thereof;

FIG. 3 is a bottom plan view thereof;

FIG. 4 is a left side elevational view thereof;

FIG. 5 is a right side elevational view thereof;

FIG. 6 is a rear elevational view thereof; and,

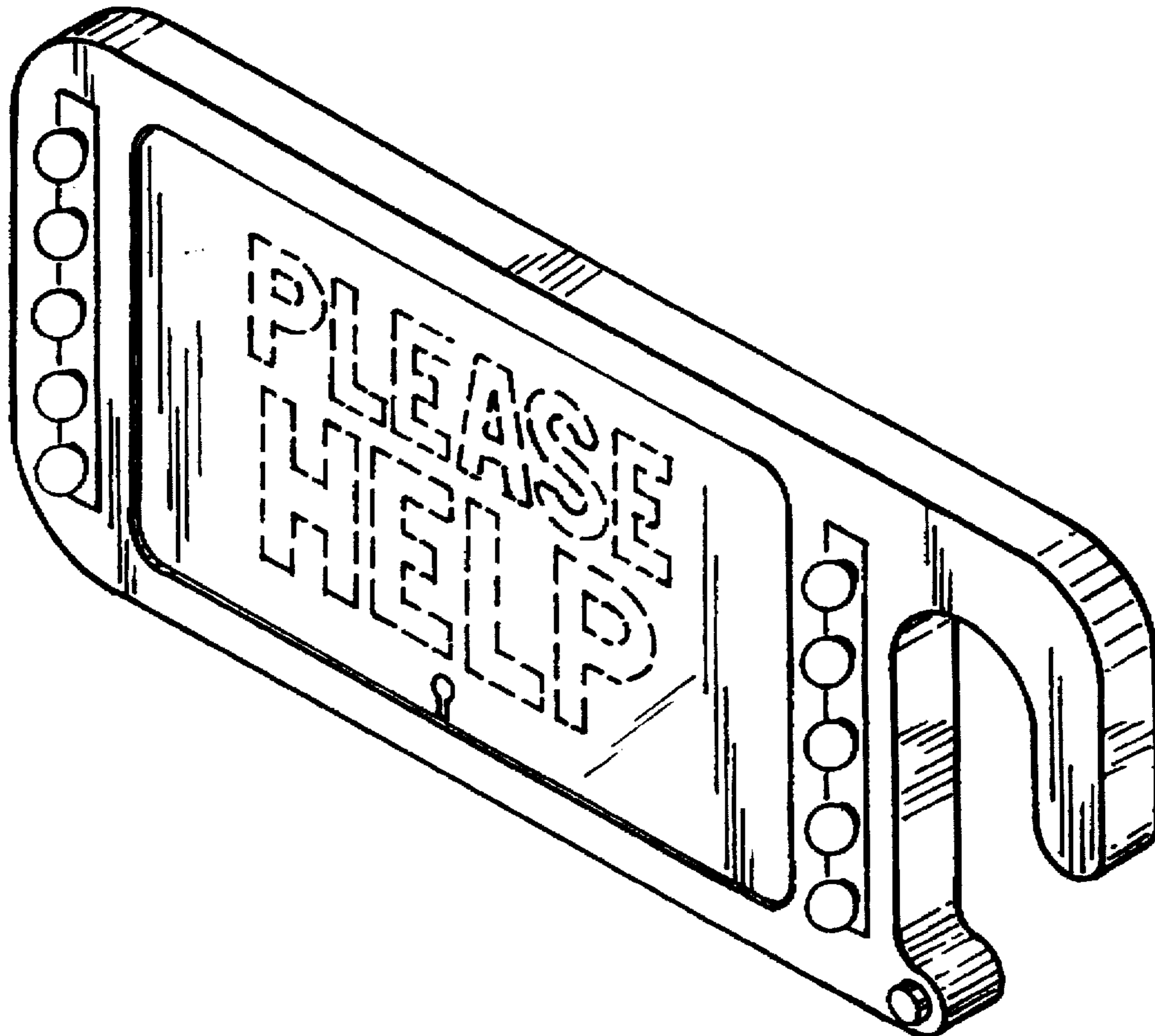
FIG. 7 is a top plan view thereof.

[56] References Cited

U.S. PATENT DOCUMENTS

D. 254,298	2/1980	Sesiton et al.	D10/114
D. 296,087	6/1988	Zuck	D10/114
D. 314,721	2/1991	Williams, Jr. et al.	D26/28
D. 350,104	8/1994	Zee	D20/42
D. 354,775	1/1995	Dobson	D20/42

1 Claim, 2 Drawing Sheets



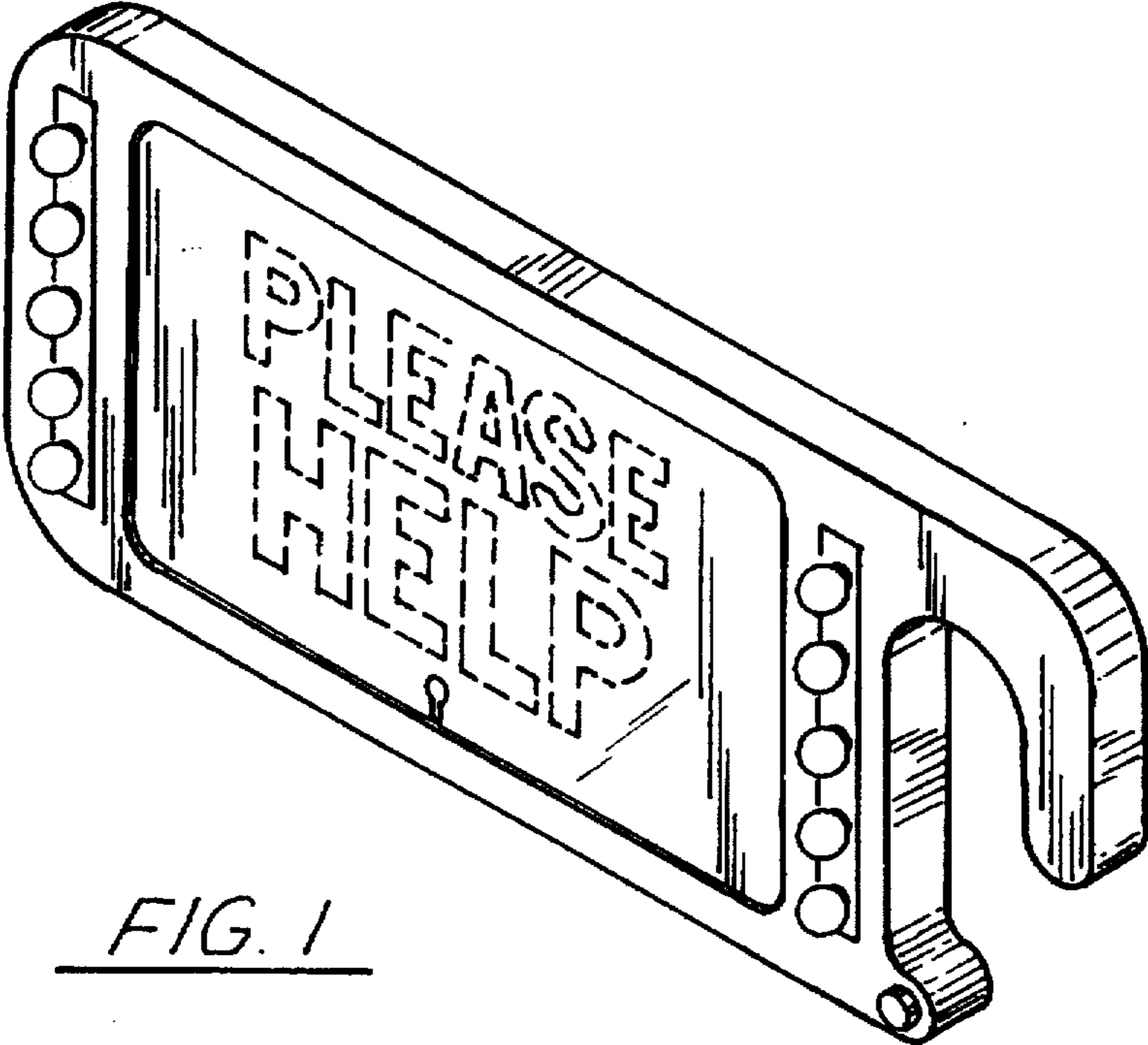


FIG. 1

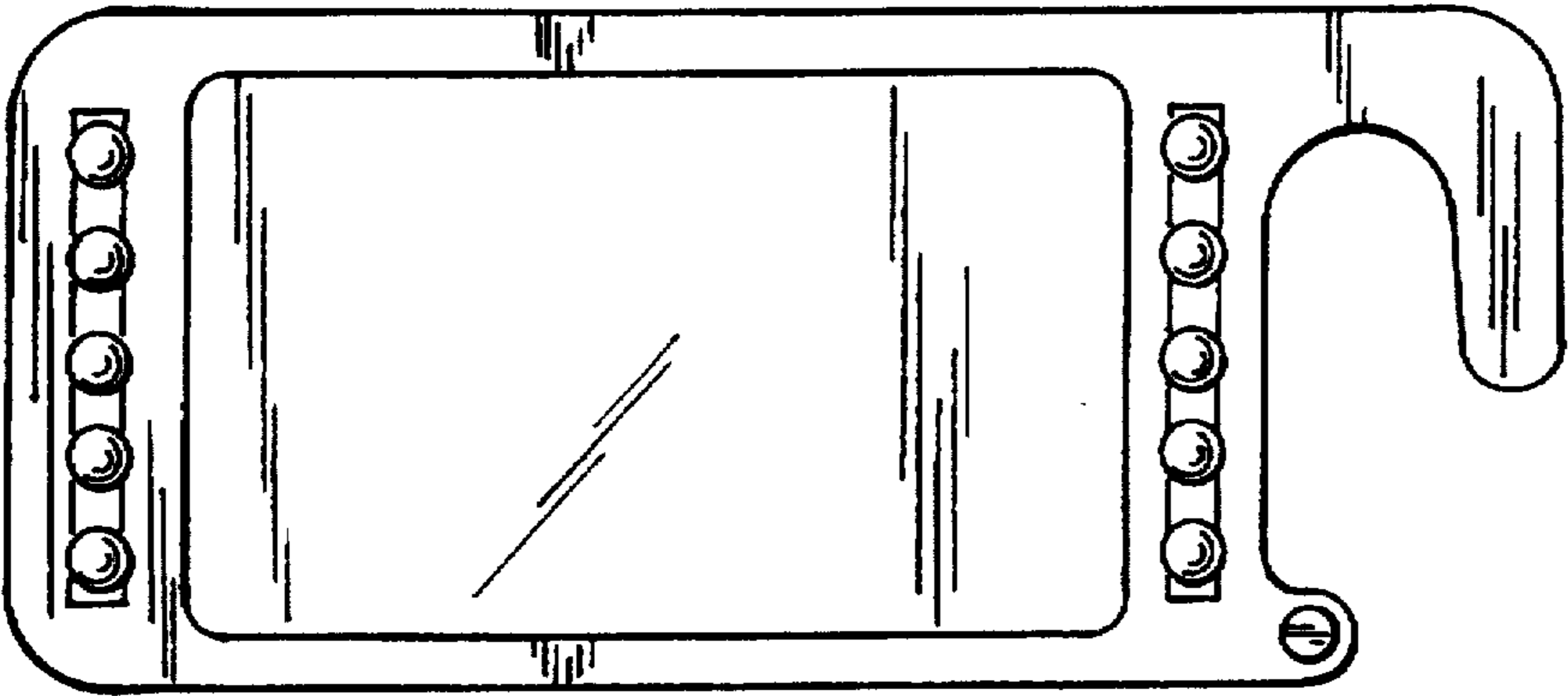


FIG. 2



FIG. 3

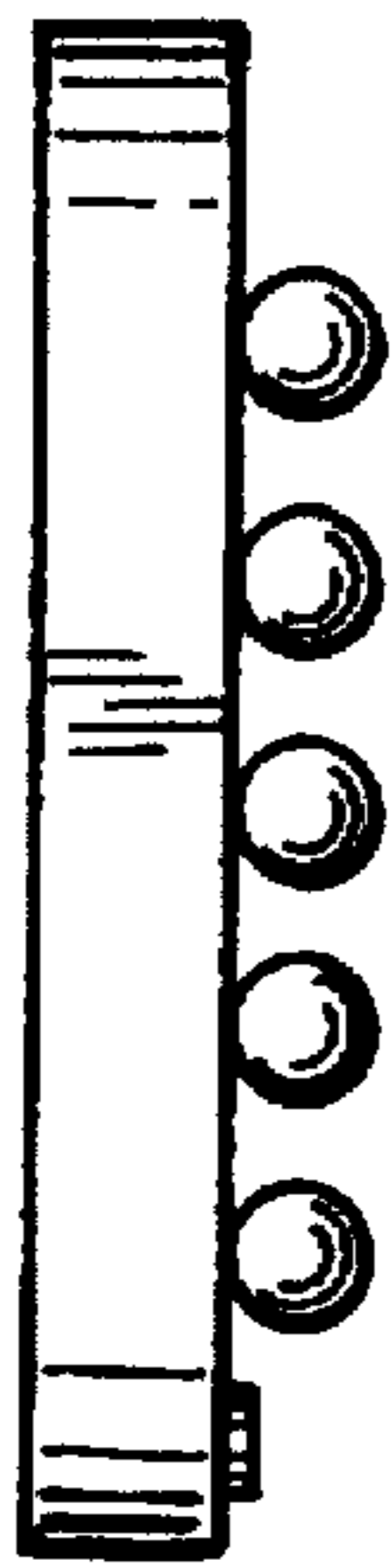


FIG. 4



FIG. 5

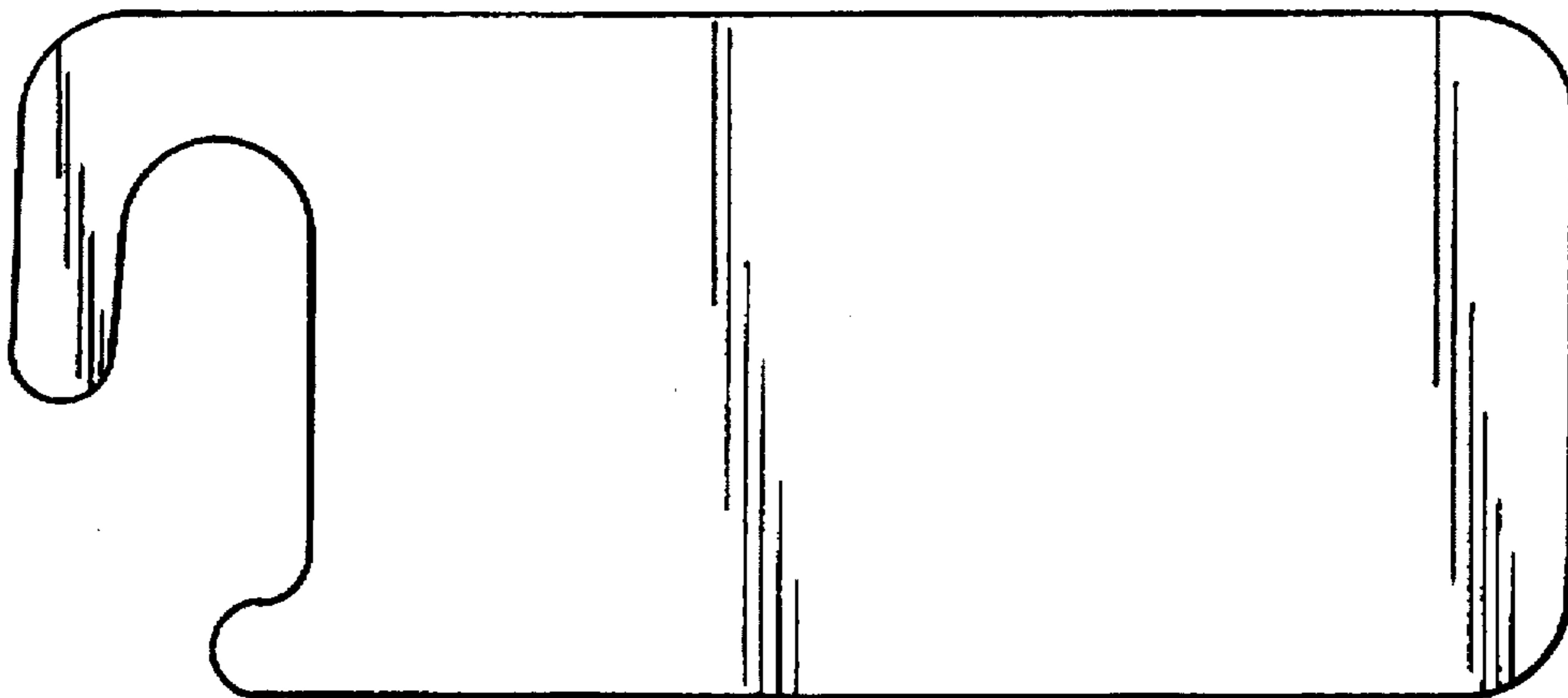


FIG. 6



FIG. 7