



US00D388718S

United States Patent [19]
Weterrings

[11] **Patent Number:** **Des. 388,718**
[45] **Date of Patent:** ****Jan. 6, 1998**

[54] **ADJUSTABLE MEASURING CONTAINER BOWL**

[75] **Inventor:** **Frans M. Weterrings, Tuscumbia, Ala.**

[73] **Assignee:** **Robbins Industries, Inc., Florence, Ala.**

[**] **Term:** **14 Years**

[21] **Appl. No.:** **60,706**

[22] **Filed:** **Oct. 4, 1996**

Related U.S. Application Data

[62] **Division of Ser. No. 48,901, Jan. 16, 1996, Pat. No. Des. 377,615.**

[51] **LOC (6) Cl. 10-04**

[52] **U.S. Cl. D10/46.3**

[58] **Field of Search D10/46.2, 46.3; D7/691, 692; 73/426-429**

References Cited

U.S. PATENT DOCUMENTS

- D. 179,956 3/1957 Setecka .
- D. 328,867 8/1992 Watt et al. .
- D. 344,686 3/1994 Weterrings .
- 1,324,264 12/1919 Parent .

- 2,165,642 7/1939 Mayer .
- 2,697,353 12/1954 Setecka .
- 2,854,849 10/1958 Setecka .
- 3,013,436 12/1961 Daily .
- 3,798,975 3/1974 Horst .
- 5,182,948 2/1993 Robbins et al. .
- 5,325,717 7/1994 Robbins et al. .
- 5,448,913 9/1995 Robbins et al. .
- 5,460,042 10/1995 Tucker .

Primary Examiner—Terry A. Wallace
Attorney, Agent, or Firm—Curtis, Morris & Safford, P.C.; Gregor N. Neff

[57] **CLAIM**

The ornamental design for an adjustable measuring container bowl, as shown and described.

DESCRIPTION

FIG. 1 is a top, rear, right side perspective view of an adjustable measuring container bowl showing my new design, the broken lines are for illustrative purposes only and form no part of the claimed design; FIG. 2 is a left side elevational view thereof; FIG. 3 is a top plan view thereof; FIG. 4 is a front elevational view thereof; FIG. 5 is a rear elevational view thereof; and, FIG. 6 is a bottom plan view thereof.

1 Claim, 3 Drawing Sheets

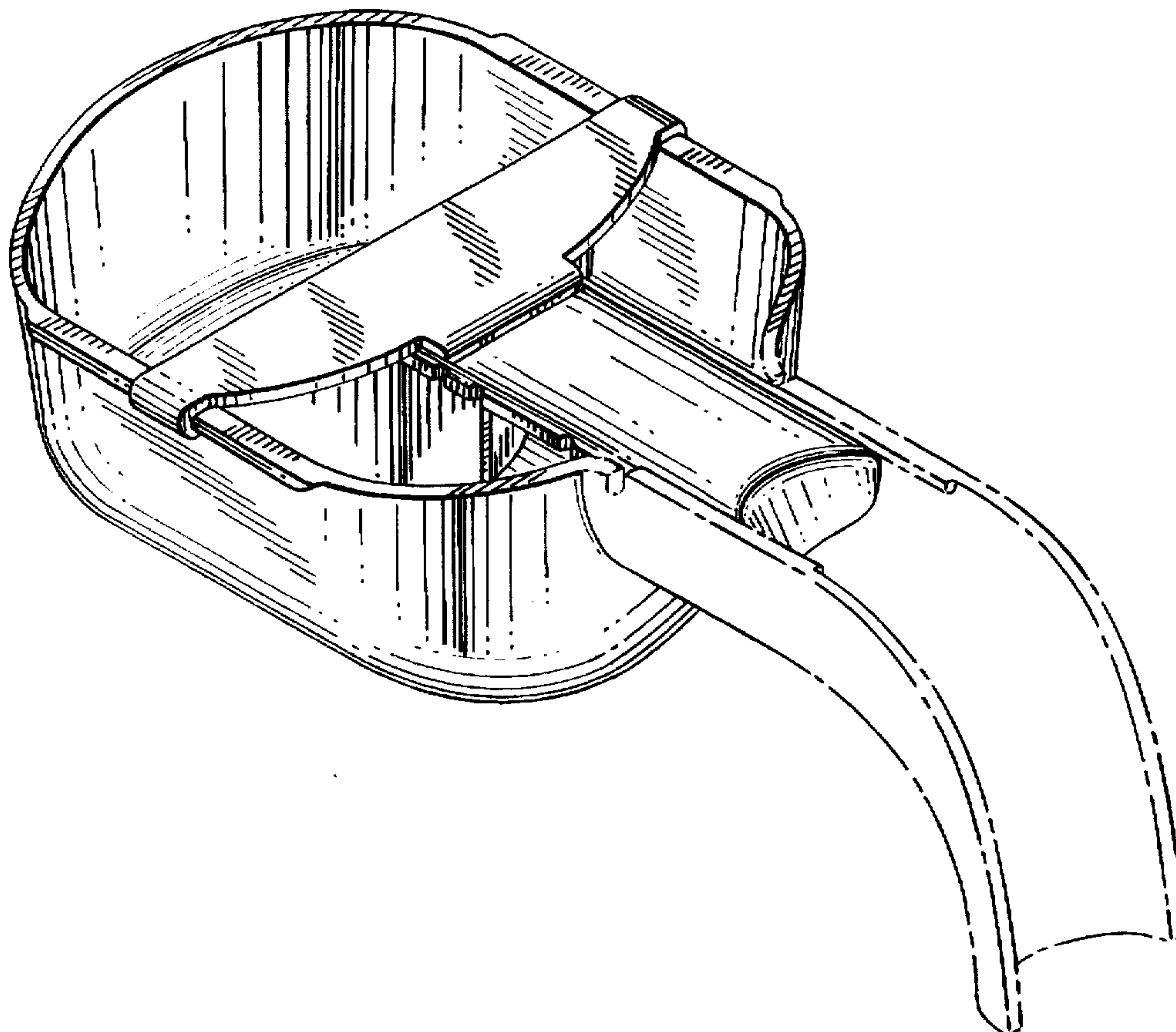
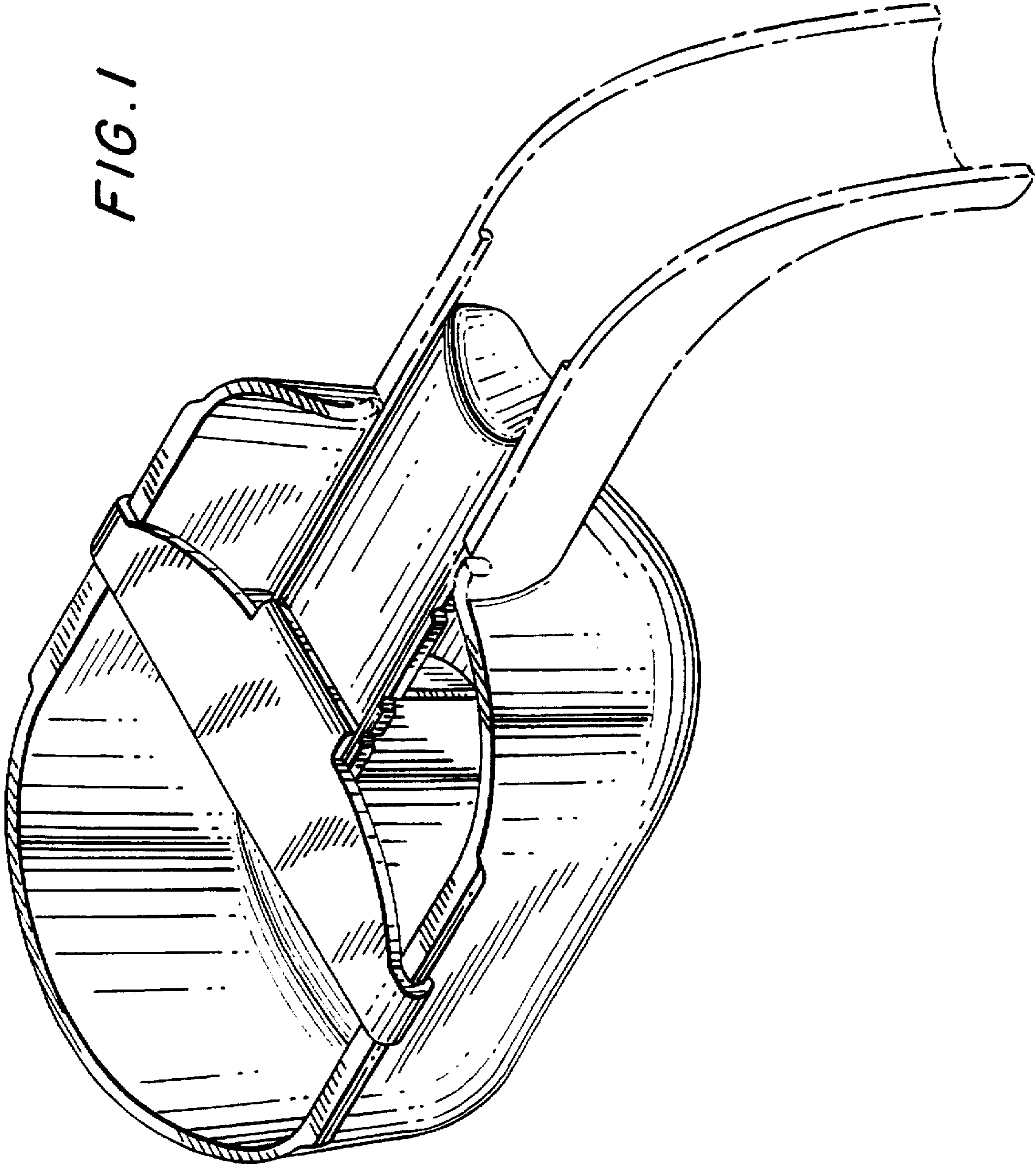


FIG. 1



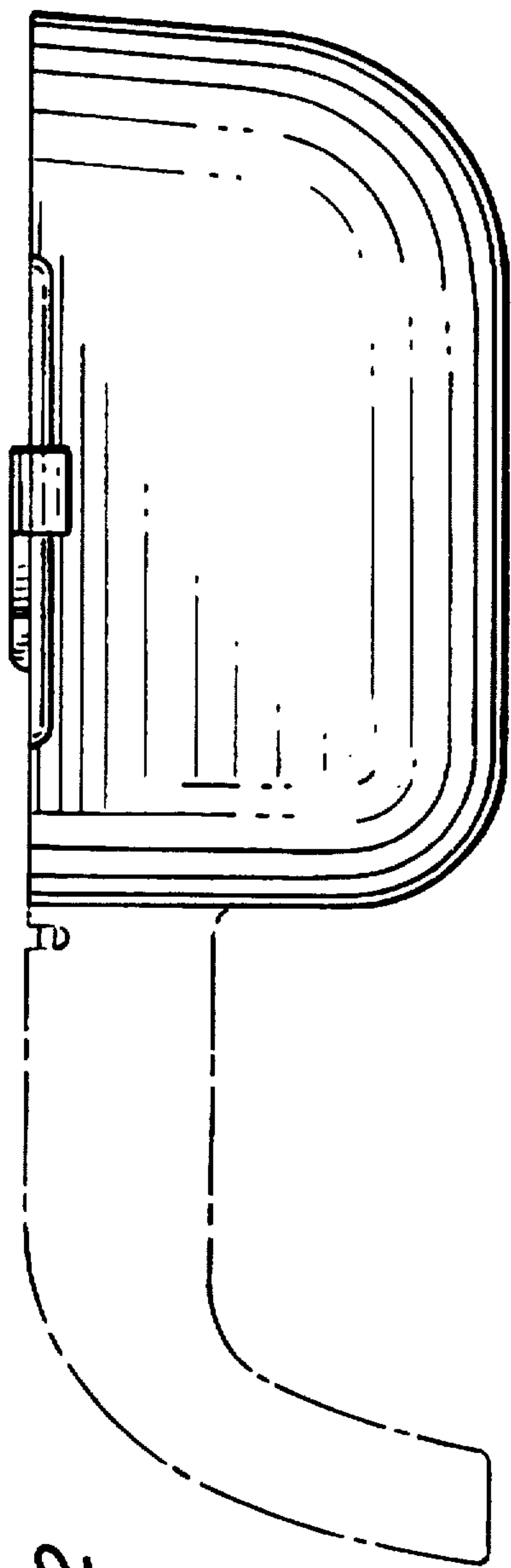


FIG. 2

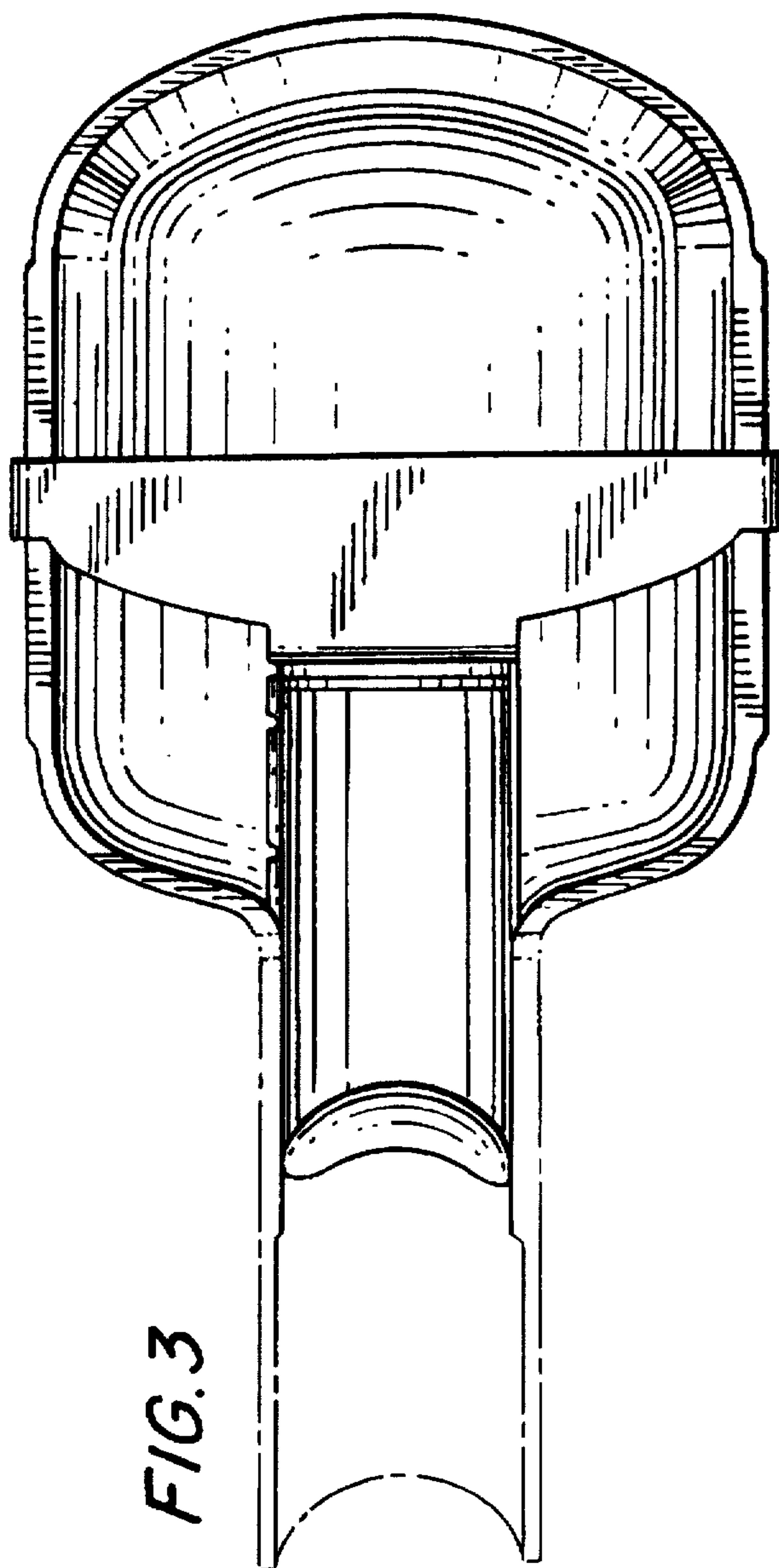


FIG. 3

