



US00D388717S

United States Patent [19]

[11] Patent Number: Des. 388,717

Wetterings

[45] Date of Patent: **Jan. 6, 1998

[54] **ADJUSTABLE MEASURING CONTAINER HANDLE**

[75] Inventor: **Frans M. Wetterings**, Tuscumbia, Ala.

[73] Assignee: **Robbins Industries, Inc.**, Florence, Ala.

[**] Term: **14 Years**

[21] Appl. No.: **60,703**

[22] Filed: **Oct. 4, 1996**

2,165,642	7/1939	Mayer .
2,697,353	12/1954	Setecka .
2,854,849	10/1958	Setecka .
3,013,436	12/1961	Daily .
3,798,975	3/1974	Horst .
5,182,948	2/1993	Robbins et al. .
5,325,717	7/1994	Robbins et al. .
5,448,913	9/1995	Robbins .
5,460,042	10/1995	Tucker .

Primary Examiner—Terry A. Wallace
Attorney, Agent, or Firm—Curtis, Morris & Safford, P.C.;
Gregor N. Neff

Related U.S. Application Data

[62] Division of Ser. No. 48,901, Jan. 16, 1996, Pat. No. Des. 377,615.

[51] LOC (6) Cl. **10-04**

[52] U.S. Cl. **D10/46.3**

[58] Field of Search D10/46.2, 46.3;
D7/691, 692; 73/426-429

[57] CLAIM

The ornamental design for an adjustable measuring container handle, as shown and described.

DESCRIPTION

FIG. 1 is a top, rear, right side perspective view of an adjustable measuring container handle showing my new design, the broken lines are for illustrative purposes only and form no part of the claimed design;

FIG. 2 is a left side elevational view thereof;

FIG. 3 is a top plan view thereof;

FIG. 4 is a front elevational view thereof;

FIG. 5 is a rear elevational view thereof; and,

FIG. 6 is a bottom plan view thereof.

[56] References Cited

U.S. PATENT DOCUMENTS

D. 179,956	3/1957	Setecka .
D. 328,867	8/1992	Watt et al. .
D. 344,686	3/1994	Wetterings .
1,324,264	12/1919	Parent .

1 Claim, 3 Drawing Sheets

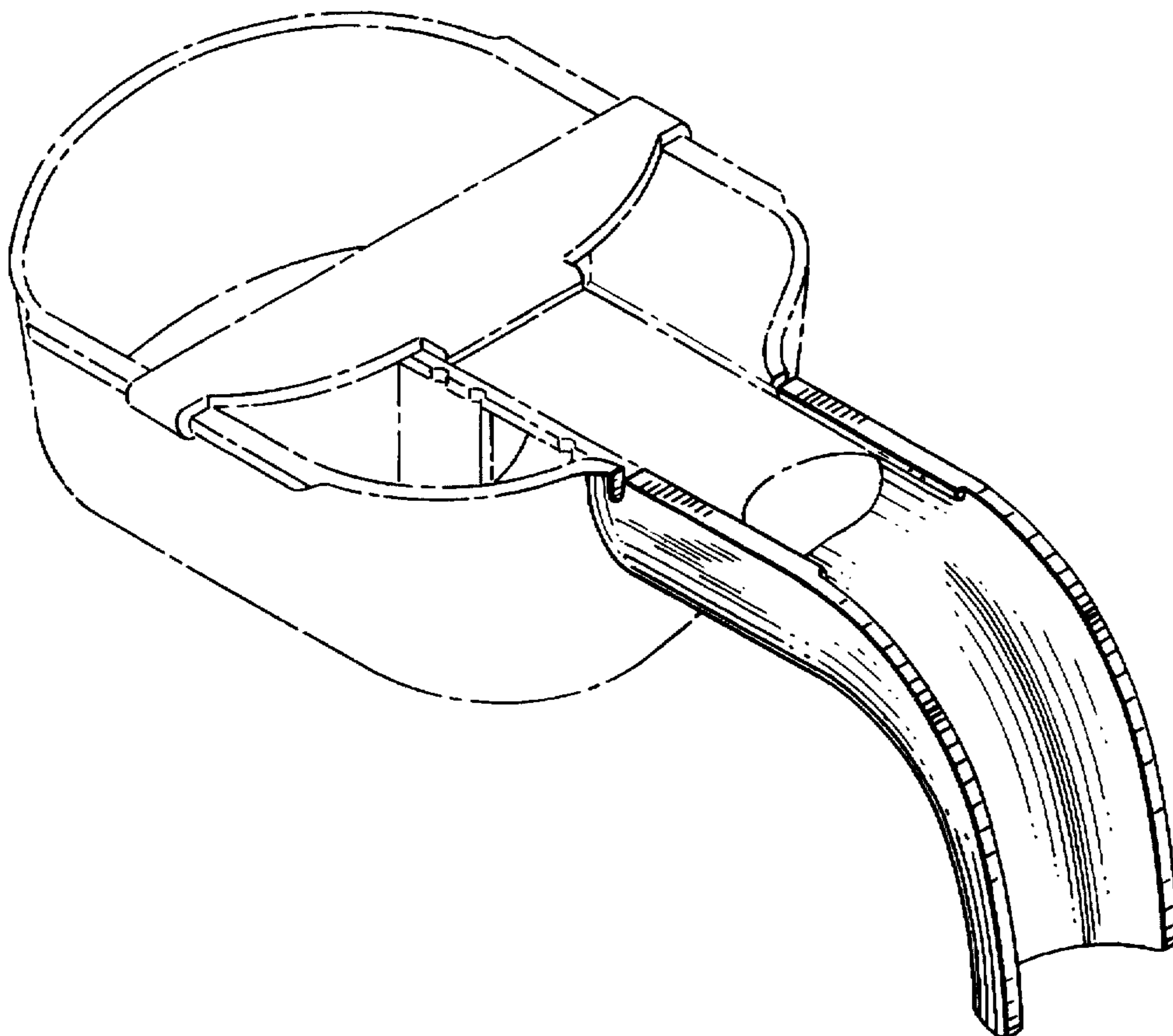
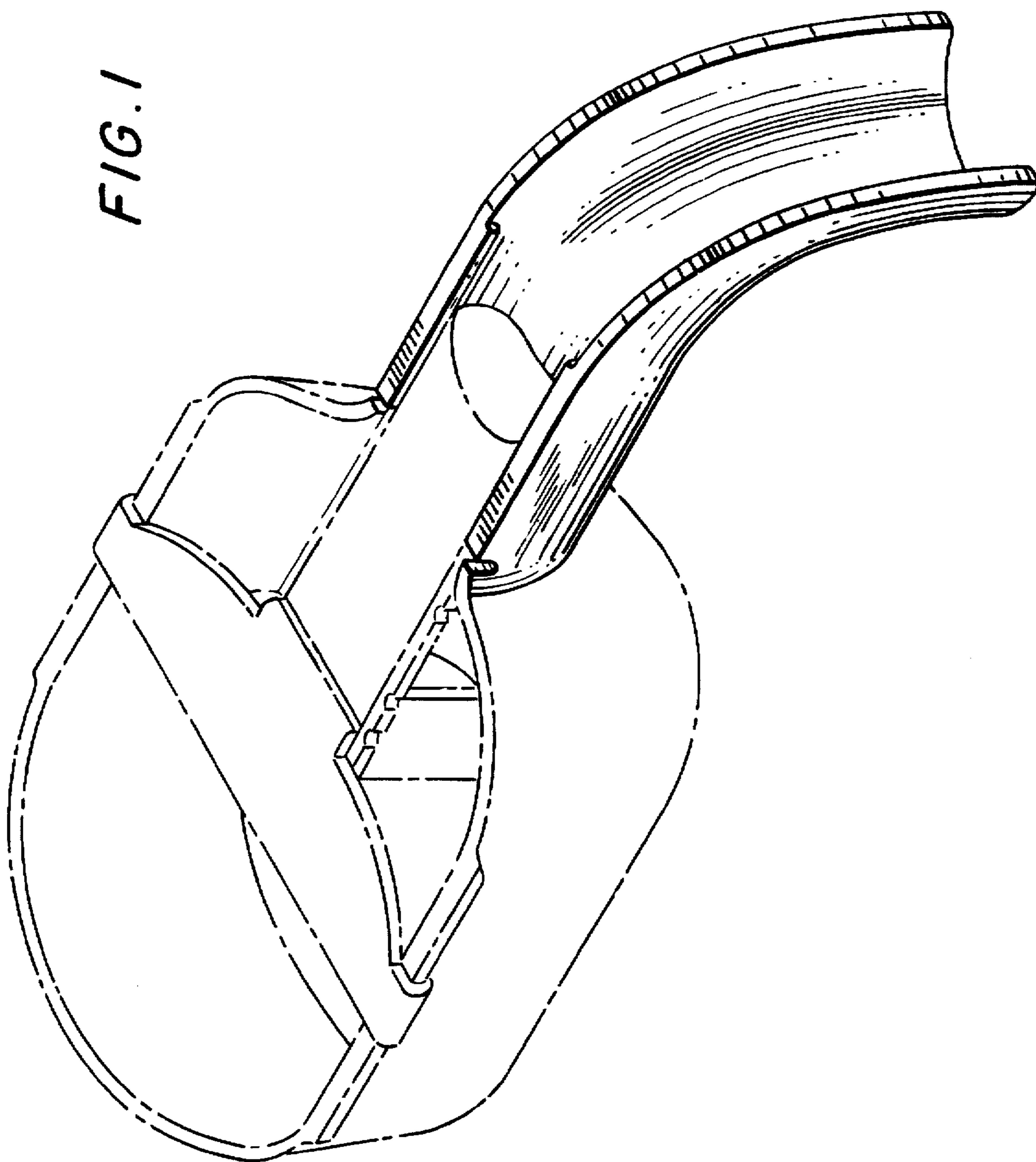


FIG. 1



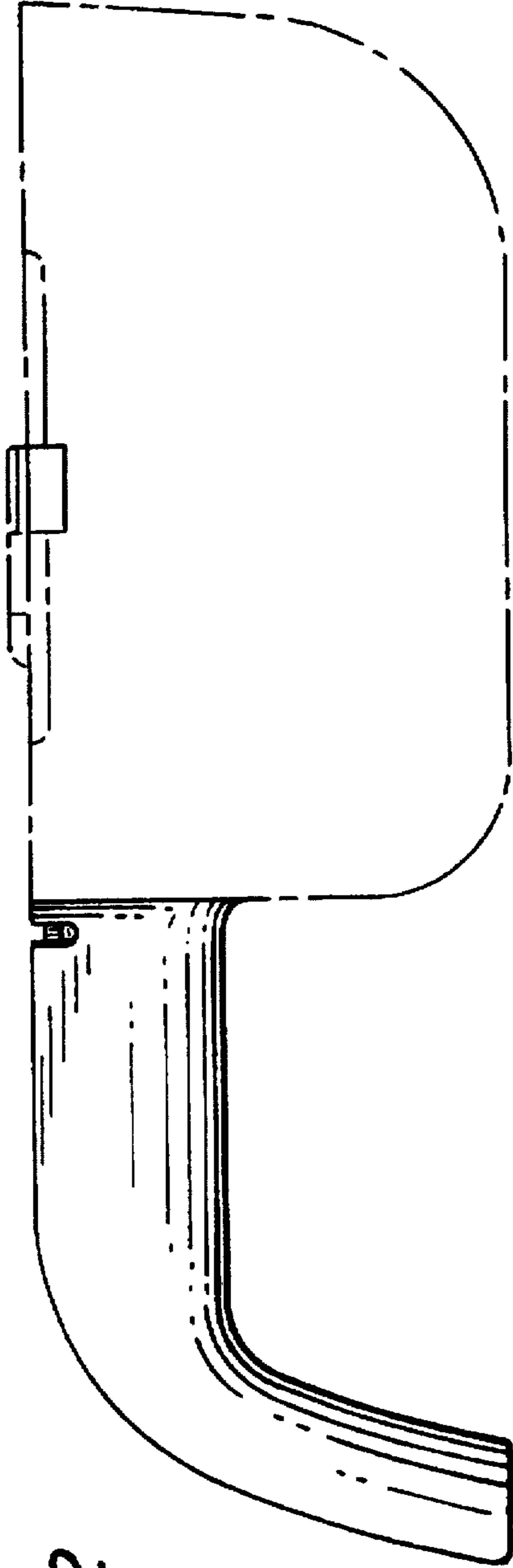


FIG. 2

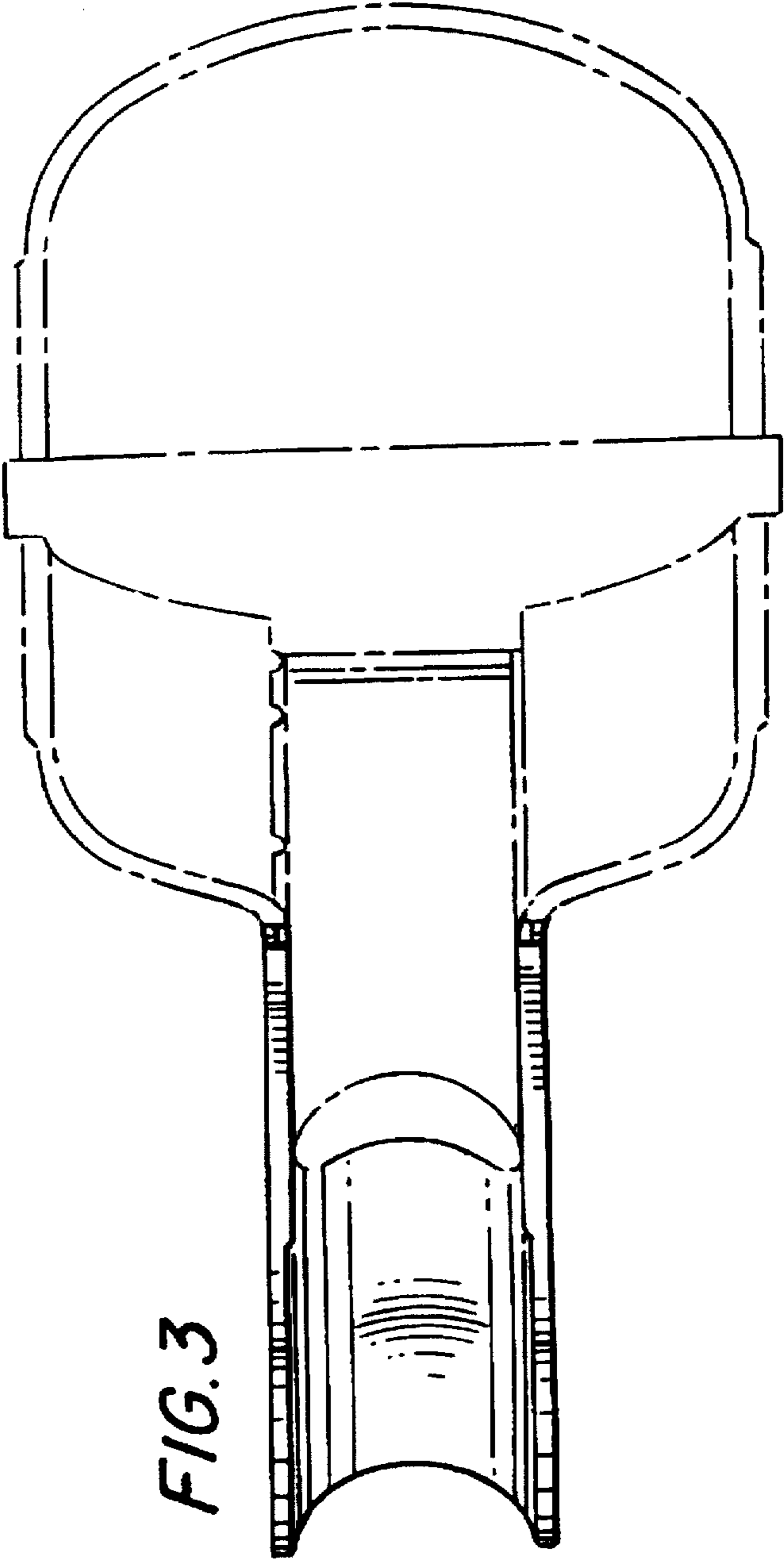


FIG. 3

