



US00D388715S

United States Patent [19] Mak

[11] Patent Number: Des. 388,715
[45] Date of Patent: **Jan. 6, 1998

[54] CLOCK
[75] Inventor: **Ronnie Chi Wah Mak**, Kowloon,
Hong Kong
[73] Assignee: **Ever Perfect Industries Limited**,
Kowloon, Hong Kong
[**] Term: **14 Years**
[21] Appl. No.: **54,542**
[22] Filed: **May 16, 1996**
[51] LOC (6) Cl. **10-01**
[52] U.S. Cl. **D10/20; D10/28**
[58] Field of Search **D10/1-40, 122-132;**
368/276-277, 285, 316-317

3,872,235 3/1975 Manly D10/25

OTHER PUBLICATIONS

Hong Kong Enterprise—Dec. 1981—p. 282—Clocks at top-half of page.

Primary Examiner—Nelson C. Holtje
Attorney, Agent, or Firm—Beveridge, DeGrandi, Weilacher & Young LLP

[57] CLAIM

The ornamental design for a clock, as shown and described.

DESCRIPTION

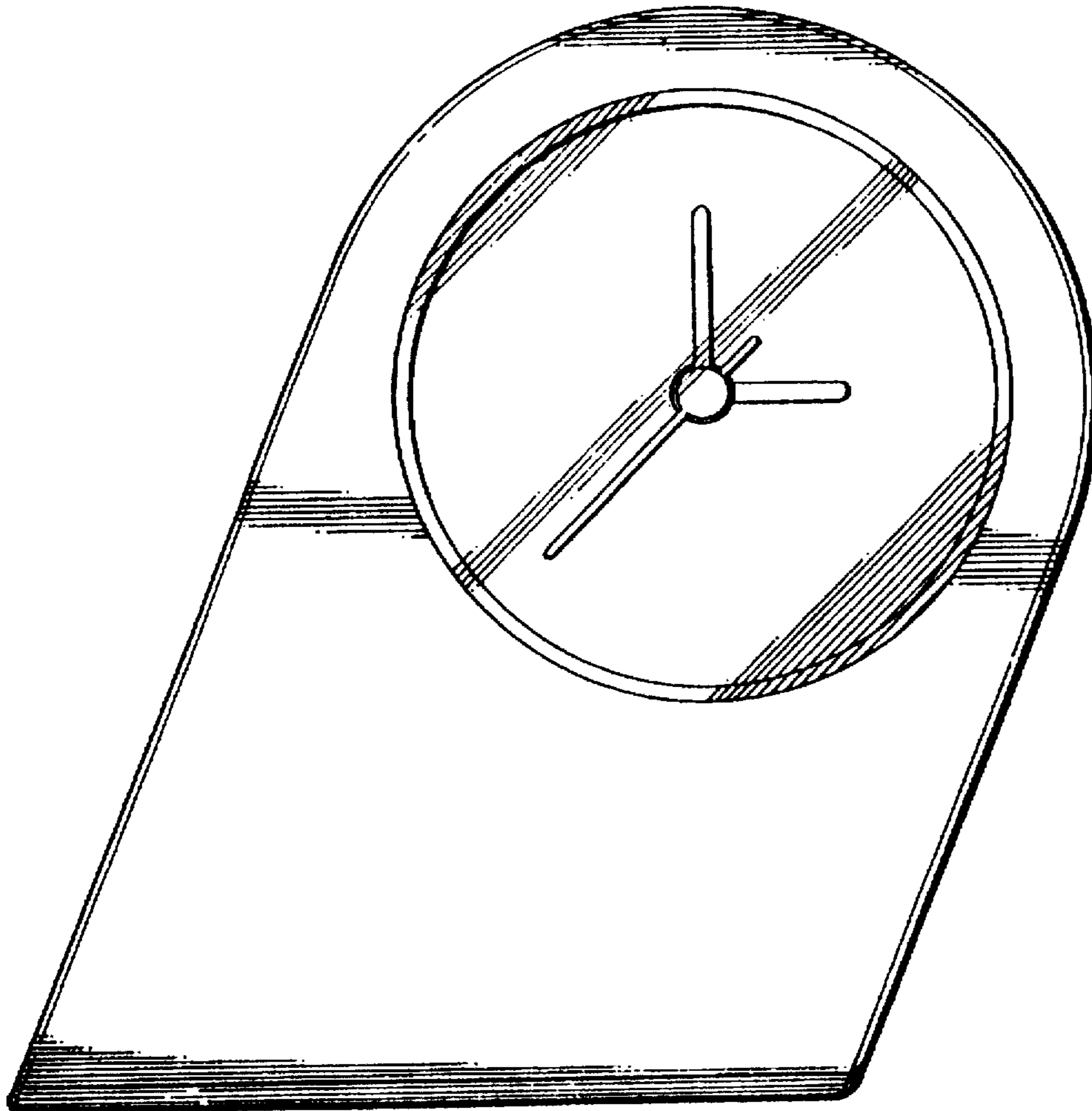
FIG. 1 is a perspective view of a clock showing my new design;
FIG. 2 is a front elevational view thereof;
FIG. 3 is a rear elevational view thereof;
FIG. 4 is a left side elevational view thereof;
FIG. 5 is a right side elevational view thereof;
FIG. 6 is a top plan view thereof; and,
FIG. 7 is a bottom plan view thereof.

[56] References Cited

U.S. PATENT DOCUMENTS

D. 270,335 8/1983 Lam D10/15
D. 323,469 1/1992 Saito D10/43
D. 364,094 11/1995 Fujimori D10/18

1 Claim, 3 Drawing Sheets



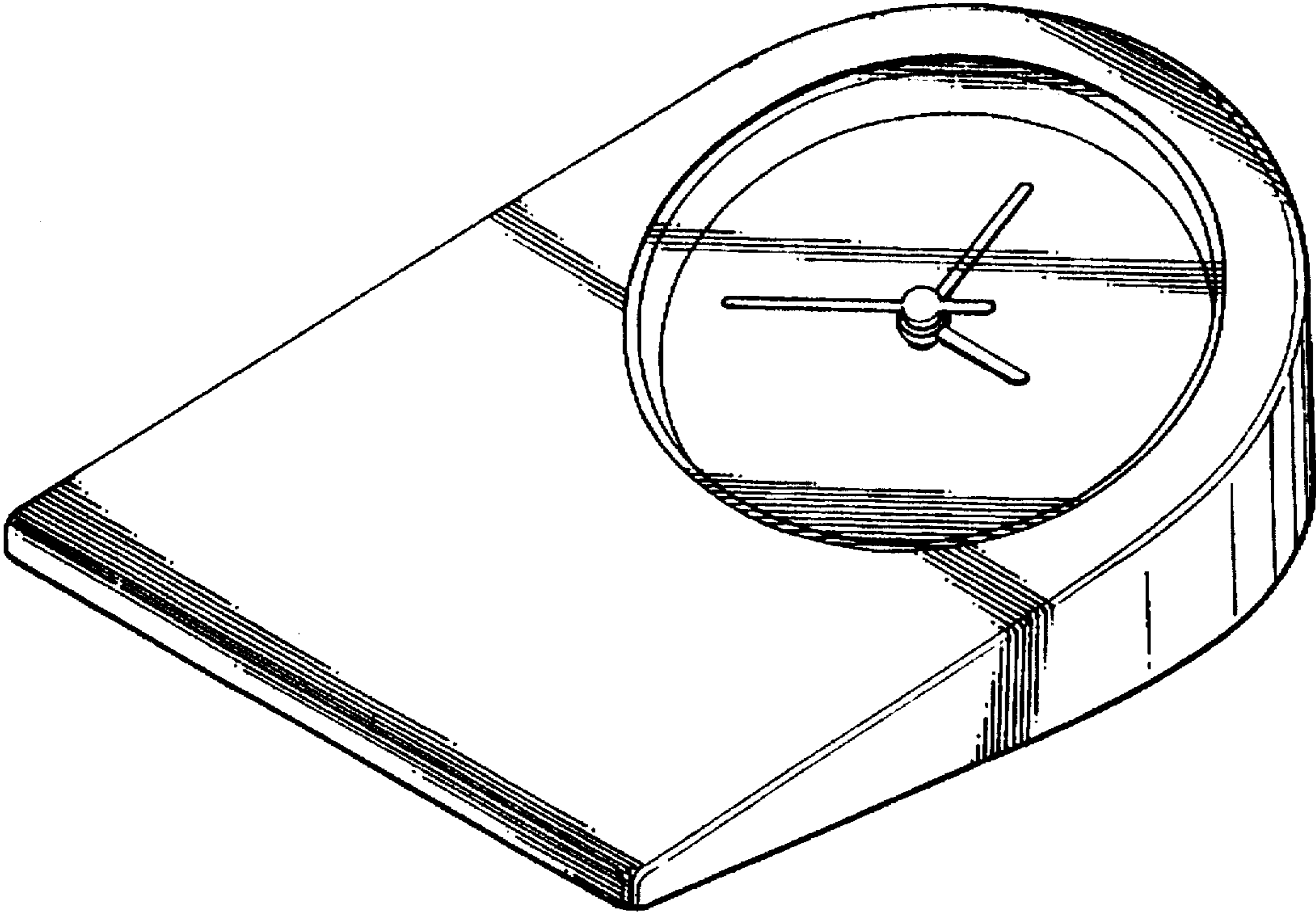


FIG. 1

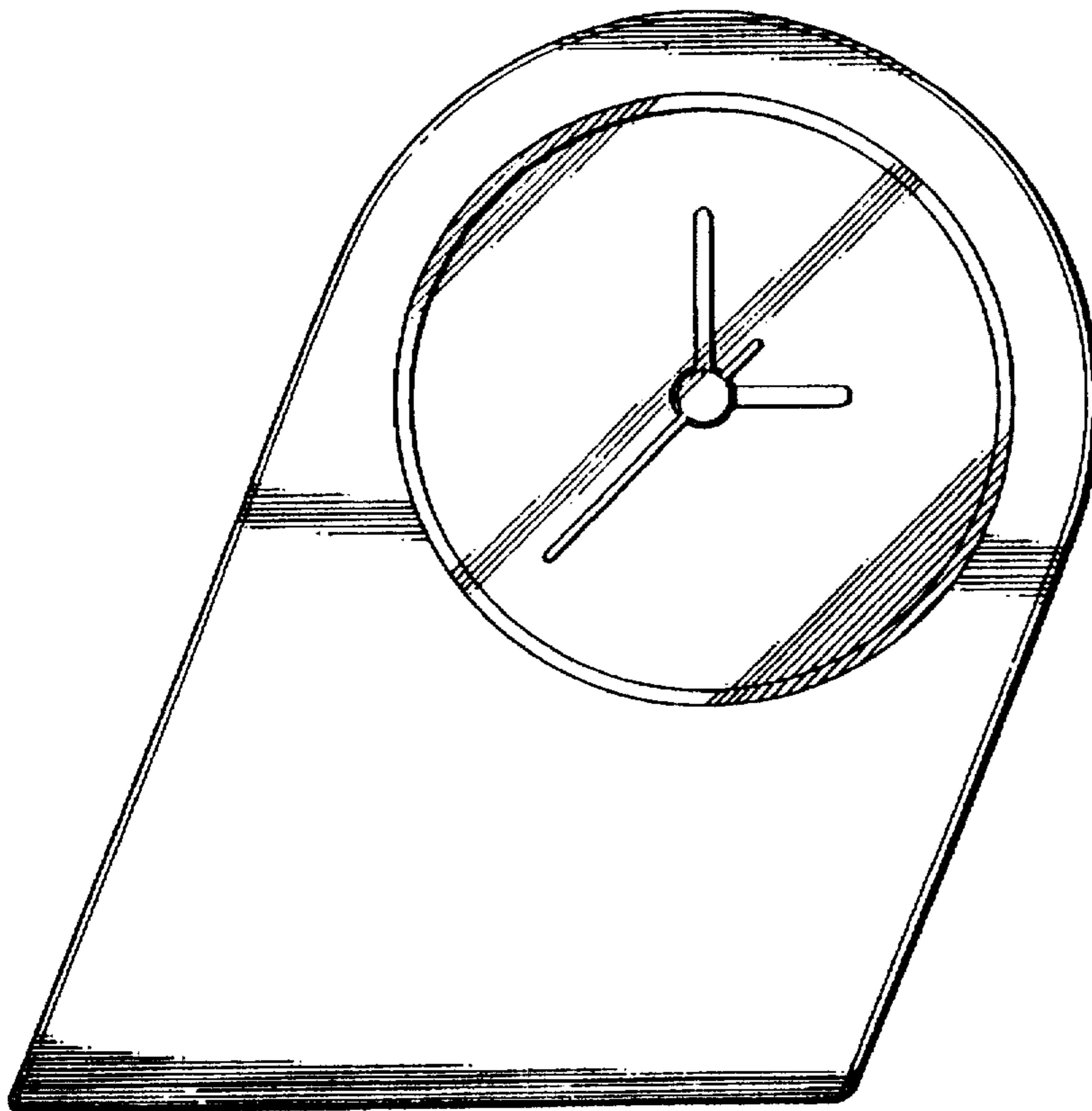


FIG. 2

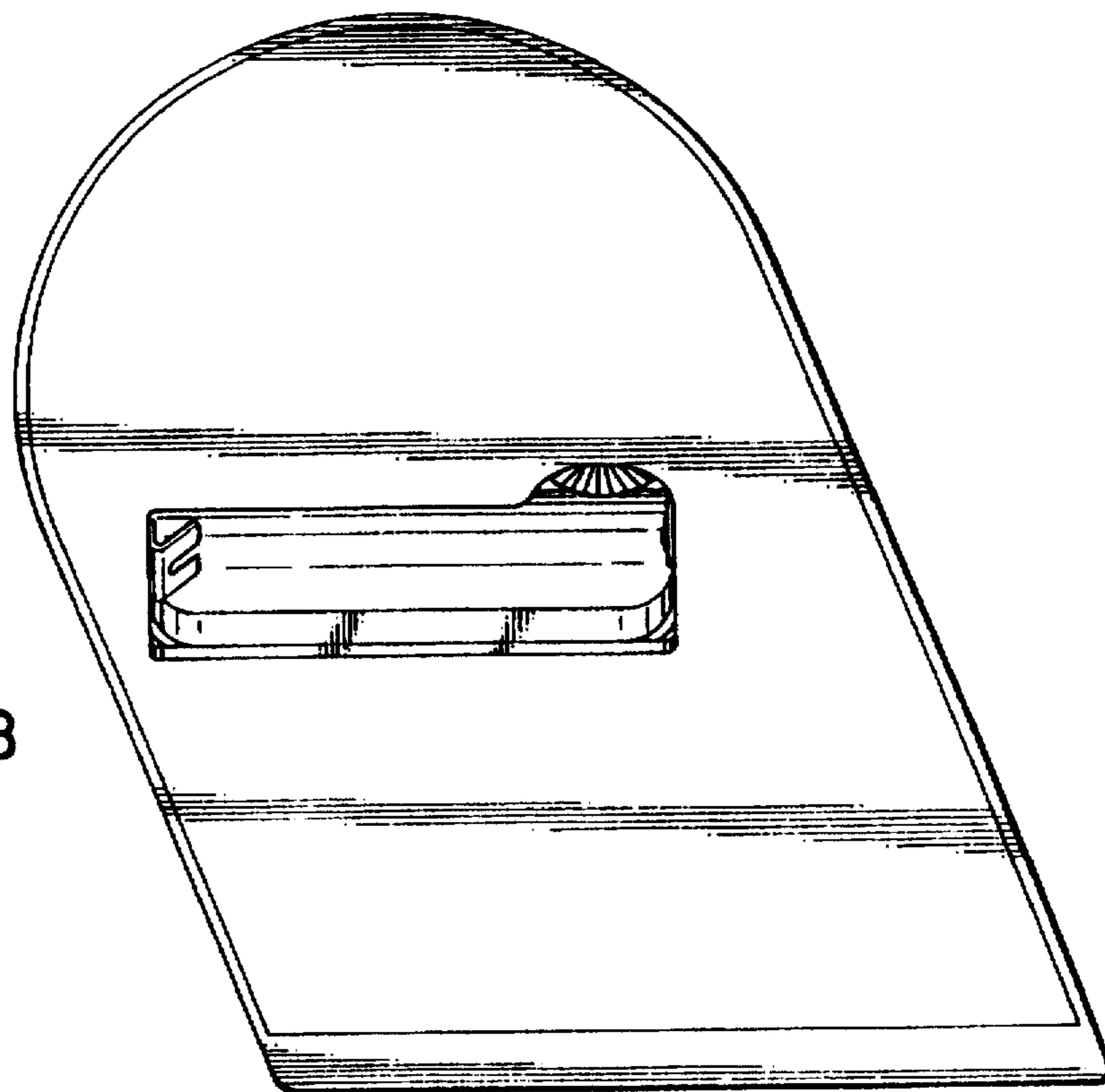


FIG. 3

FIG. 6

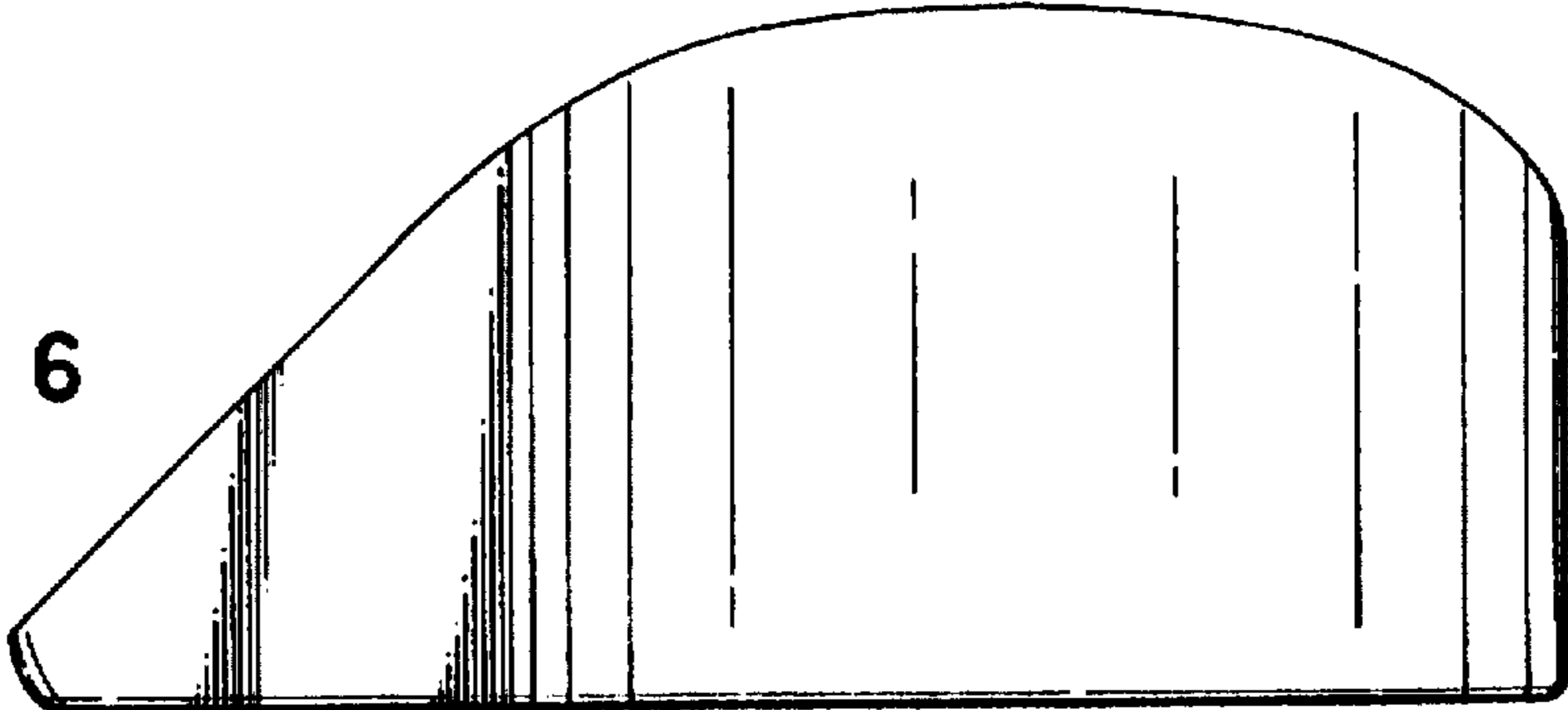


FIG. 4

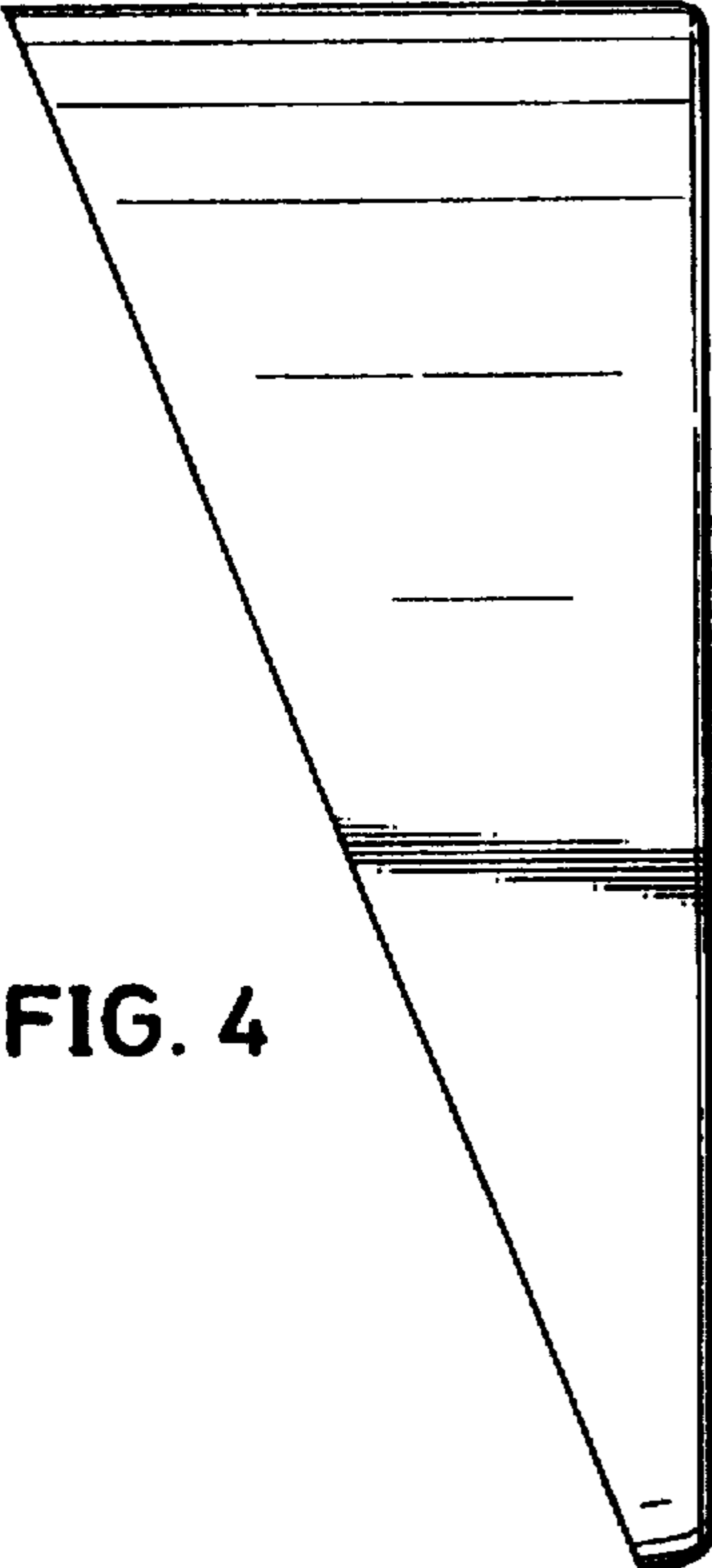


FIG. 5

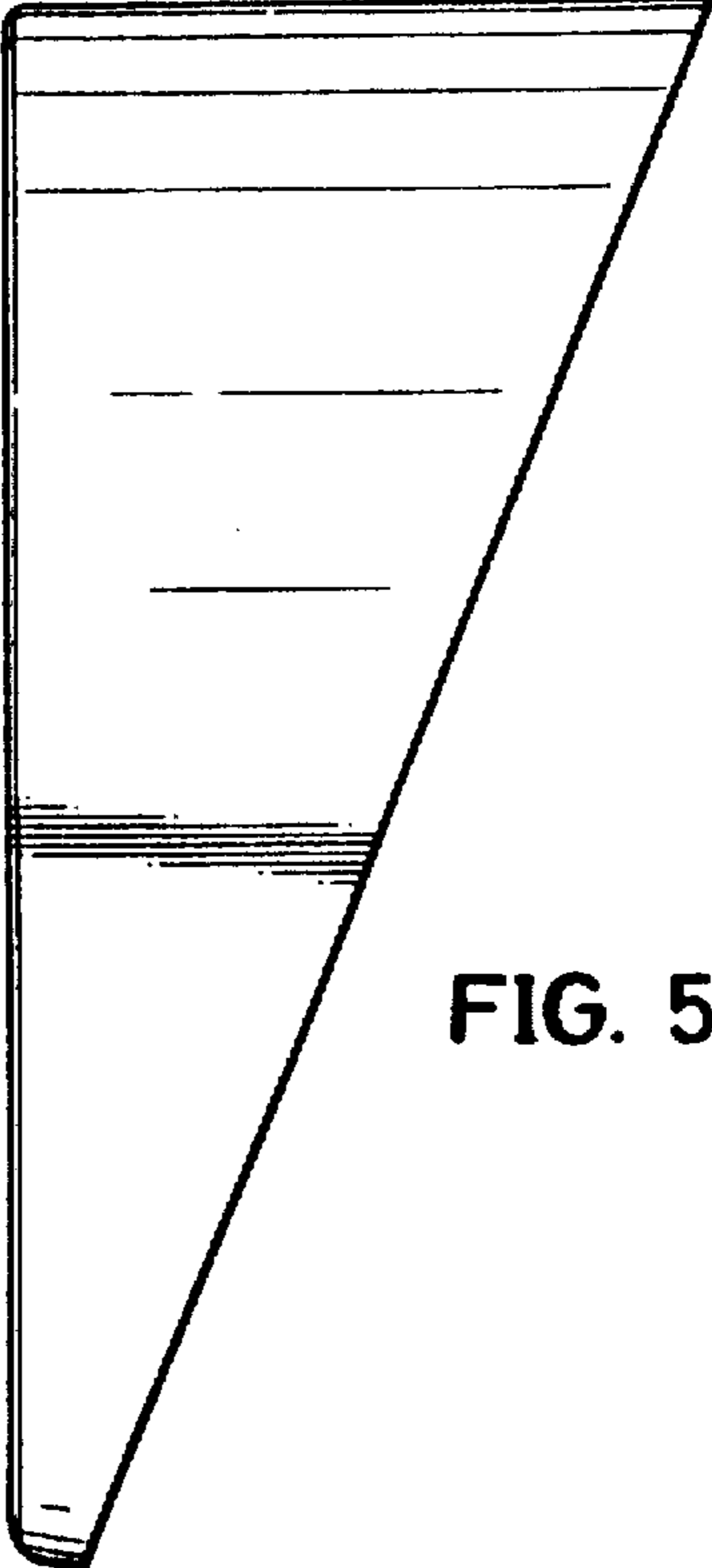


FIG. 7

