



US00D388713S

United States Patent [19] Yuen

[11] Patent Number: **Des. 388,713**
[45] Date of Patent: ****Jan. 6, 1998**

[54] **COMBINATION LIGHT AND ALARM CLOCK**

D. 314,245 1/1991 Van Bruschof D26/38 X
D. 340,300 10/1993 Yuen D26/38
D. 373,208 8/1996 Yuen D26/38

[75] Inventor: **Se Kit Yuen, Kowloon, Hong Kong**

Primary Examiner—Welson C. Holtje
Attorney, Agent, or Firm—Lyon & Lyon LLP

[73] Assignee: **John Manufacturing Limited, Kwun Tong, Hong Kong**

[57] **CLAIM**

[**] Term: **14 Years**

The ornamental design for a combination light and alarm clock, as shown.

[21] Appl. No.: **58,527**

DESCRIPTION

[22] Filed: **Aug. 16, 1996**

[30] **Foreign Application Priority Data**

Feb. 21, 1996 [GB] United Kingdom 2054308

[51] LOC (6) Cl. **10-01**

[52] U.S. Cl. **D10/5; D10/2; D26/38**

[58] Field of Search D10/1, 2, 5, 20,
D10/24; 368/10, 80-82, 239-242, 276-277,
285; D26/38, 51, 56

FIG. 1 is a perspective view of a combination light and alarm clock showing the design;
FIG. 2 is a top view of the combination light and alarm clock of FIG. 1;
FIG. 3 is a front end elevation of the combination light and alarm clock of FIG. 1;
FIG. 4 is a front side elevation of the combination light and alarm clock of FIG. 1;
FIG. 5 is a back side elevation of the combination light and alarm clock of FIG. 1;
FIG. 6 is a bottom view of the combination light and alarm clock of FIG. 1; and
FIG. 7 is a back end elevation of the combination light and alarm clock of FIG. 1.

[56] **References Cited**

U.S. PATENT DOCUMENTS

D. 154,548 7/1949 Koester D26/38
D. 294,065 2/1988 Wan D26/38
D. 309,437 7/1990 Ng D10/5
D. 312,220 11/1990 Kaneko D10/5

1 Claim, 2 Drawing Sheets

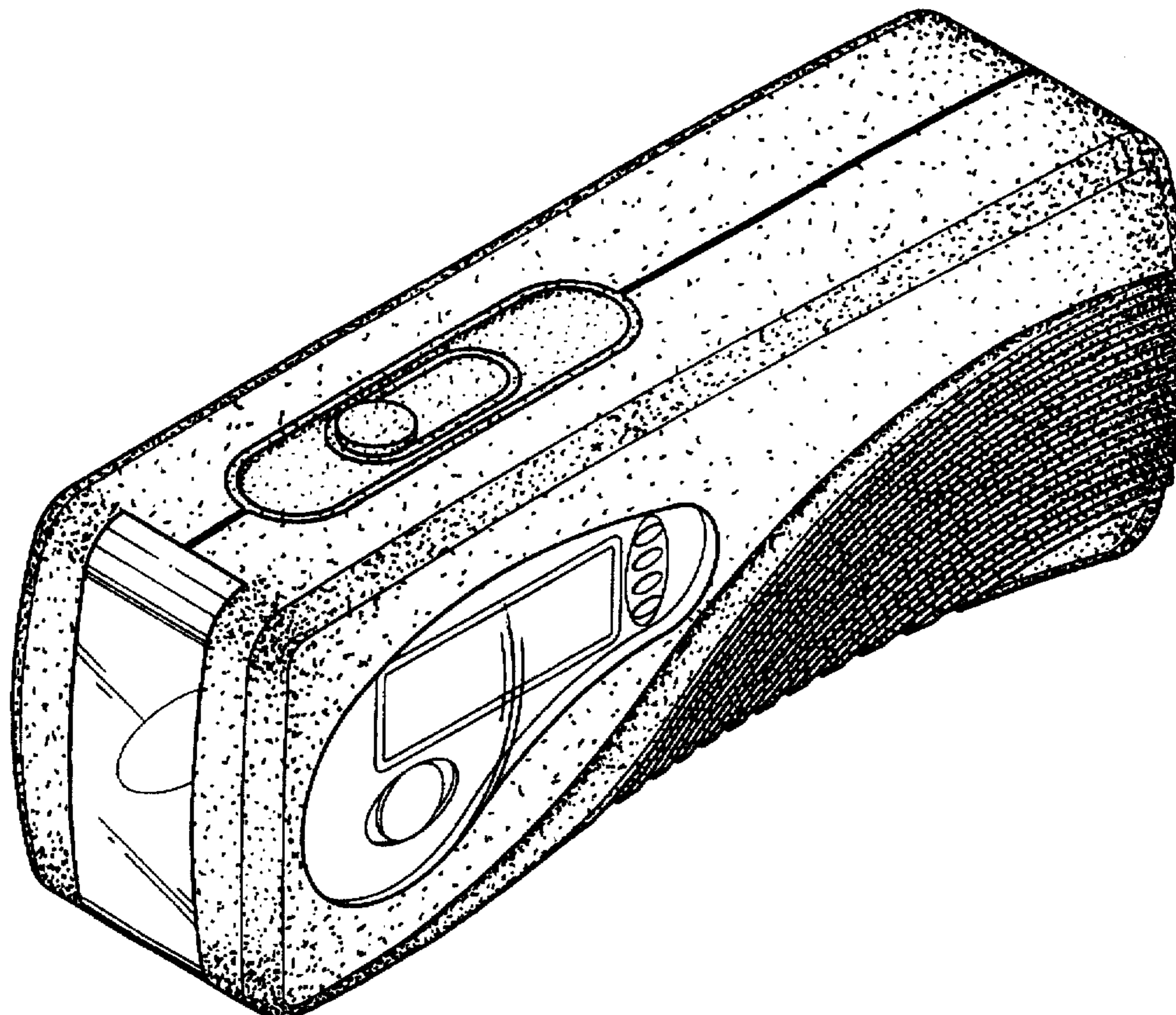


FIG. 1

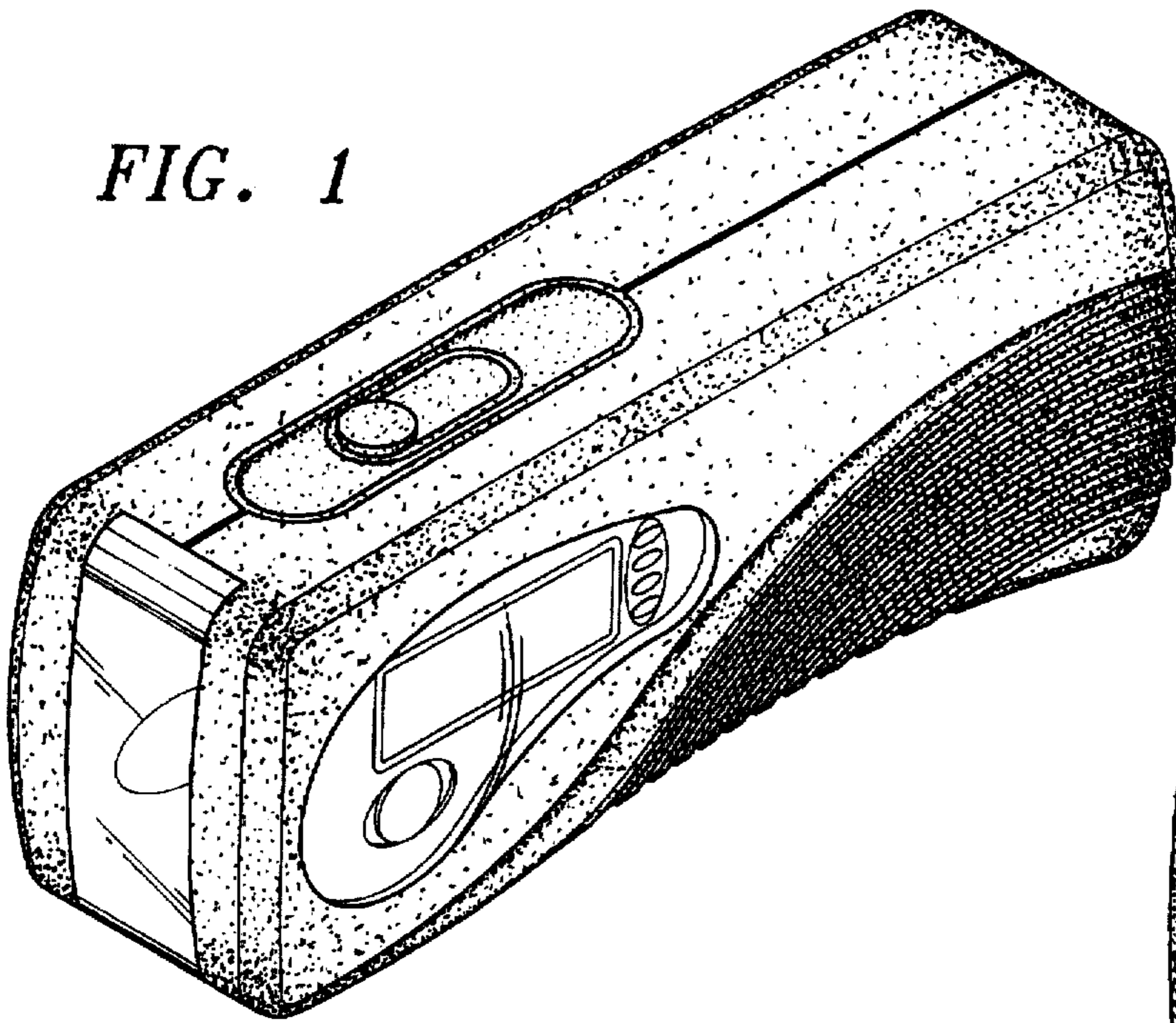


FIG. 3

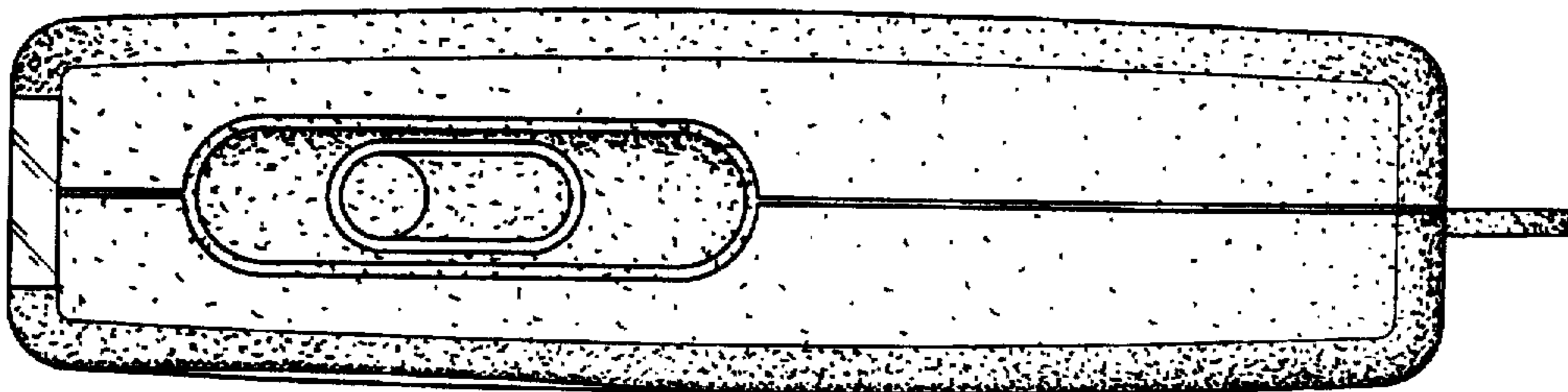
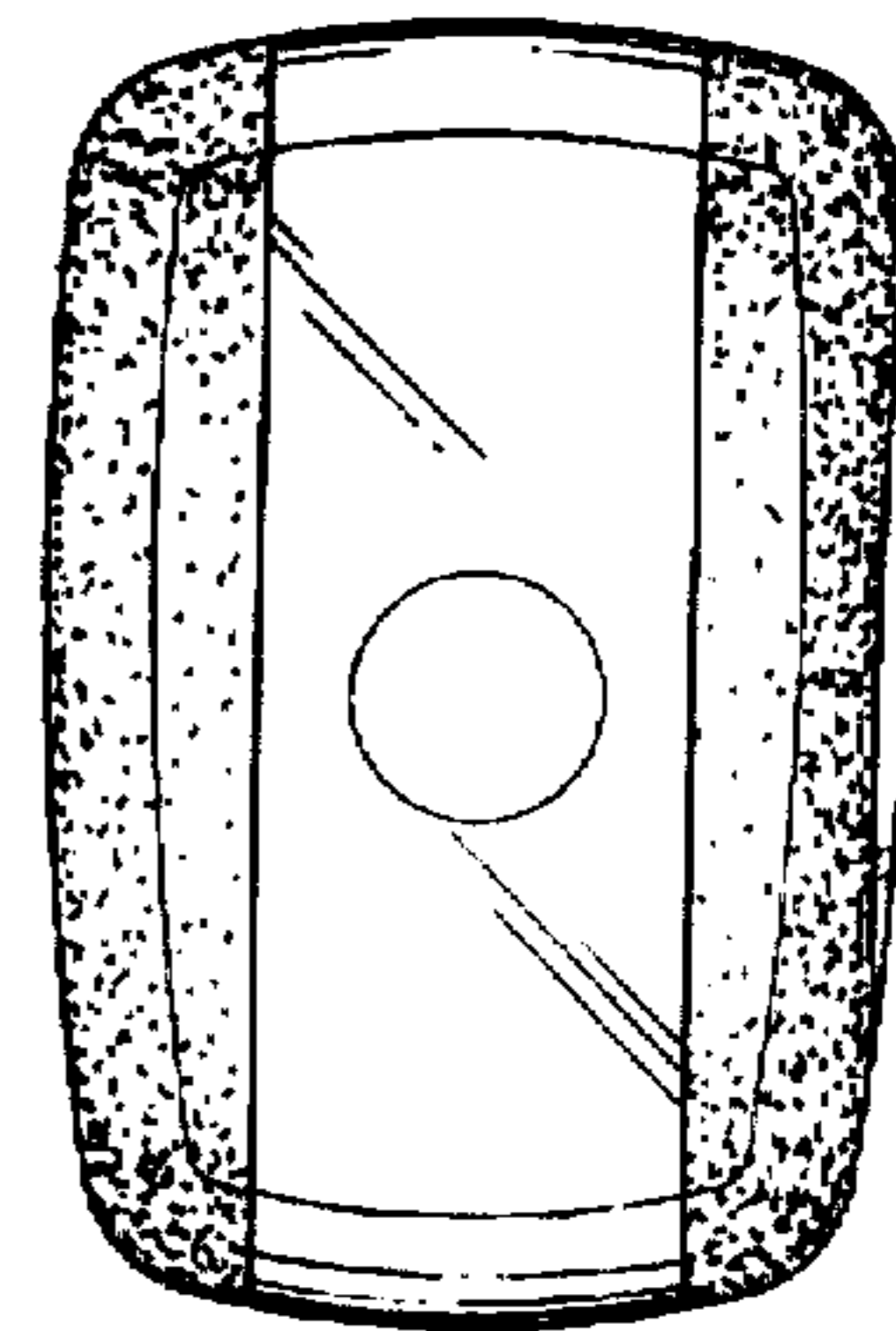


FIG. 2

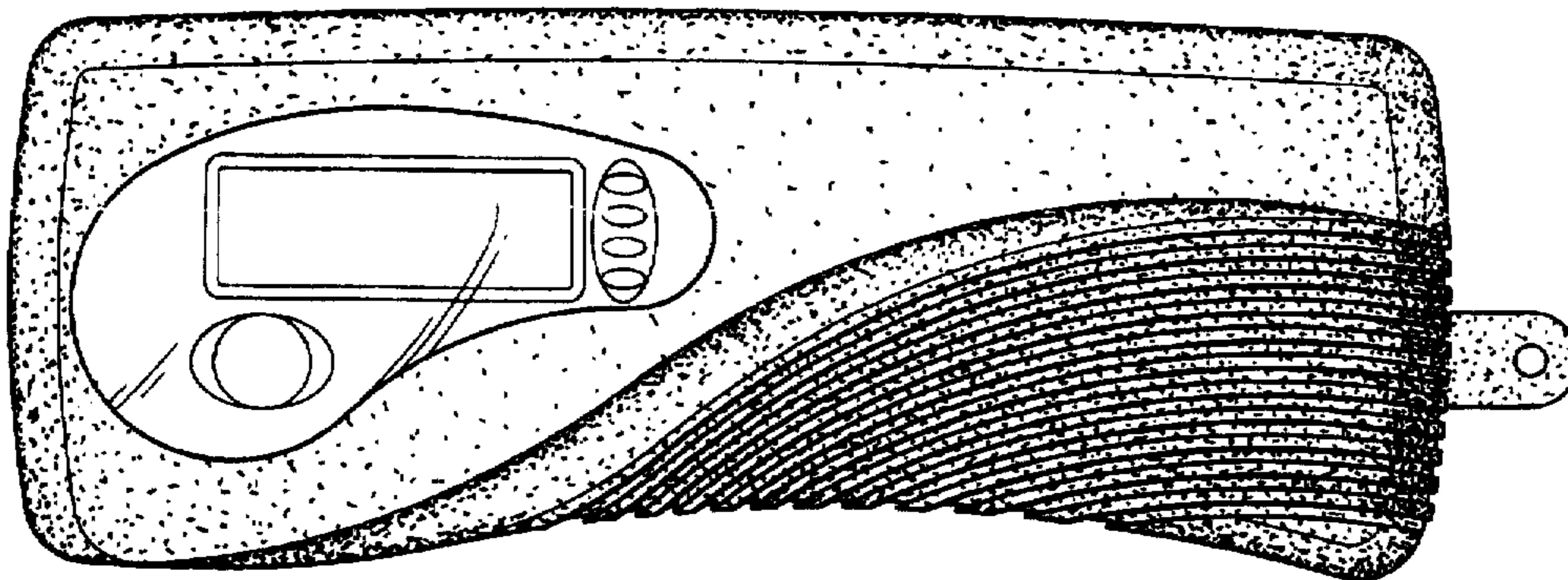


FIG. 4

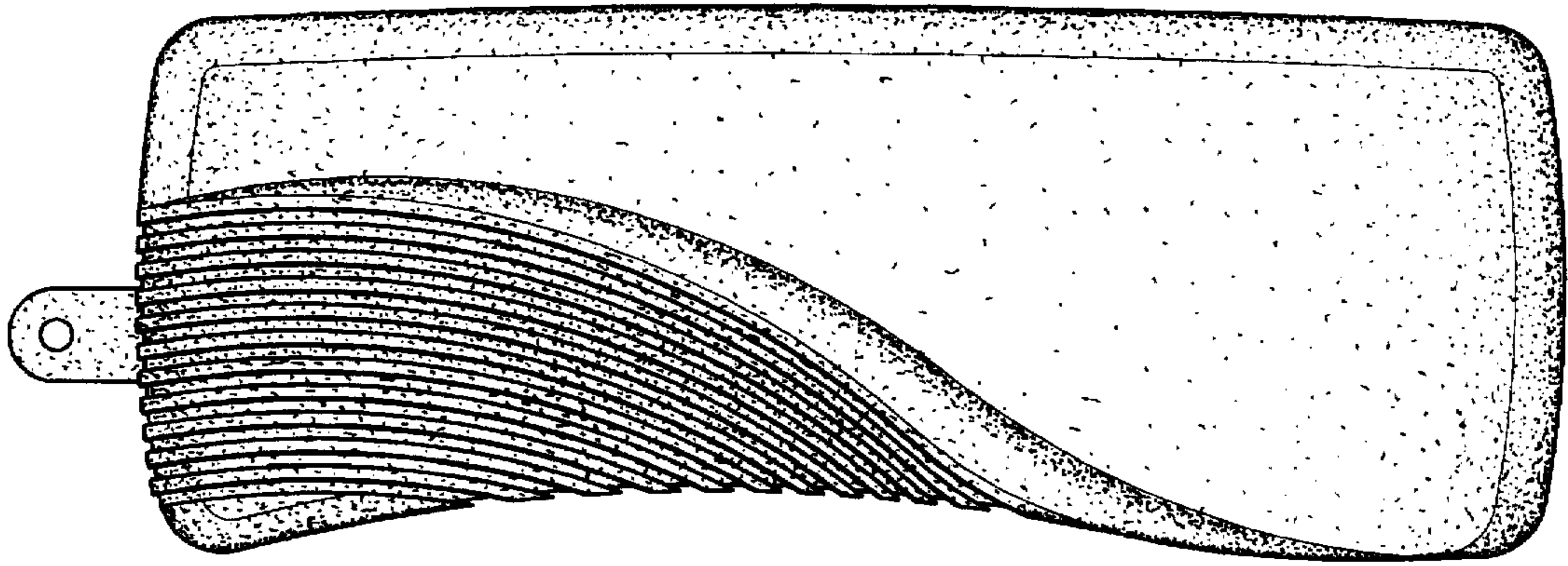


FIG. 5

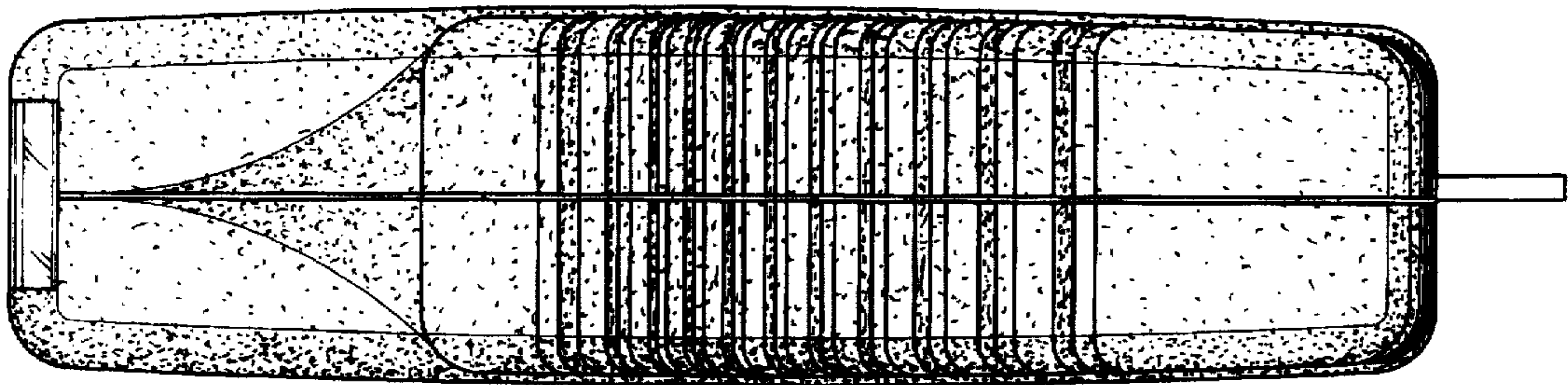


FIG. 6

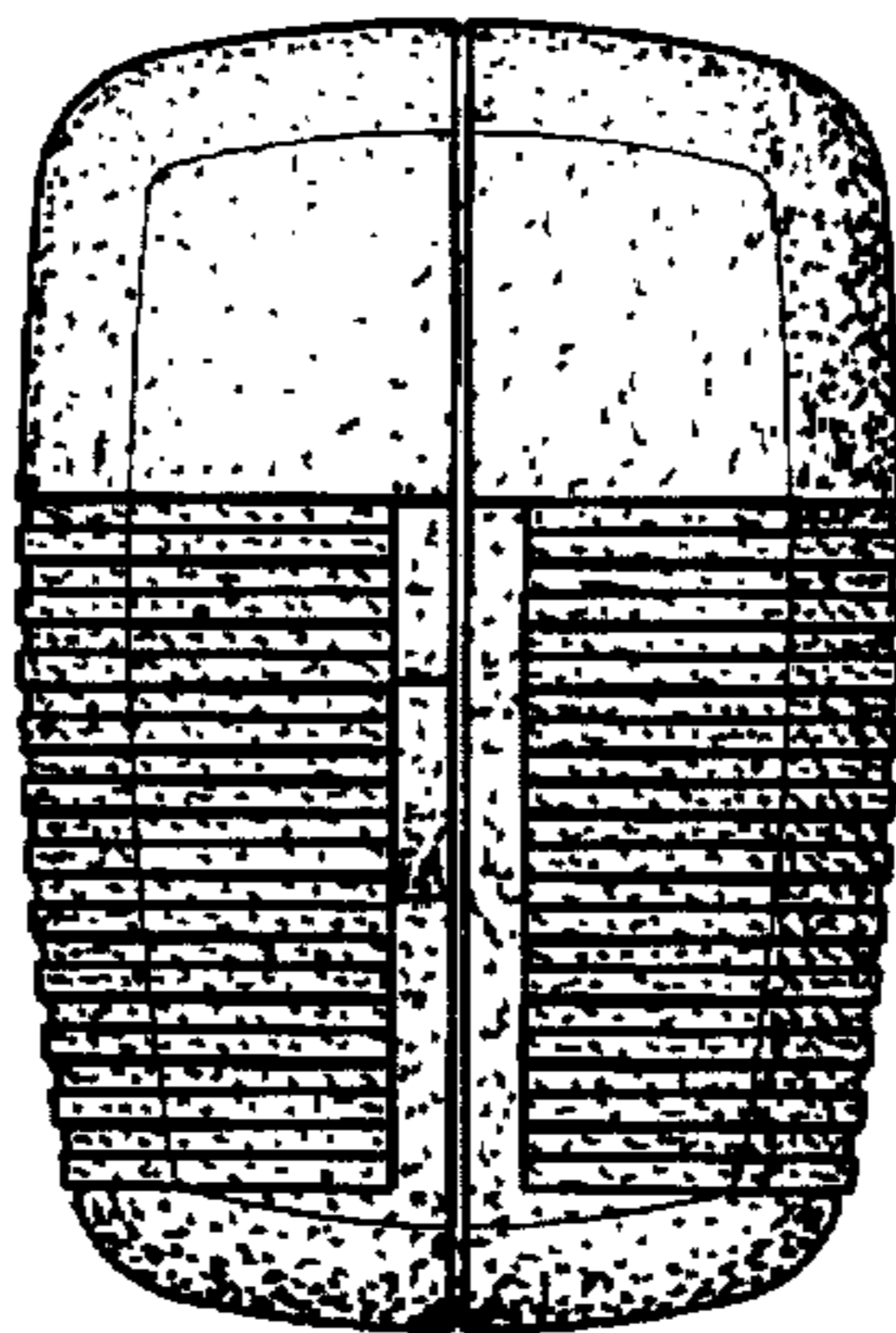


FIG. 7