



US00D388707S

United States Patent [19] de LaForcade

[11] Patent Number: **Des. 388,707**
[45] Date of Patent: ****Jan. 6, 1998**

[54] **SPRAY UNIT**

[75] Inventor: **Vincent de LaForcade, Rambouillet, France**

[73] Assignee: **L'Oreal, France**

[**] Term: **14 Years**

[21] Appl. No.: **61,225**

[22] Filed: **Oct. 18, 1996**

[30] **Foreign Application Priority Data**

Apr. 19, 1996 [WO] WIPO DM/036202

[51] **LOC (6) Cl.** **09-07**

[52] **U.S. Cl.** **D9/448; D9/300**

[58] **Field of Search** **D9/300, 338, 434, D9/435, 440, 444, 445, 447, 448, 449, 454, 504; 220/780, 784, 915; 222/402.1, 402.12, 402.13**

[56] **References Cited**

U.S. PATENT DOCUMENTS

D. 281,764 12/1985 LeGrottaglie D9/504

D. 308,474	6/1990	Seager	D9/300
D. 337,259	7/1993	Curtis et al.	D9/300
D. 352,875	11/1994	Story et al.	D9/300 X
2,867,358	1/1959	Meshberg	222/402.1
2,931,540	4/1960	Meshberg	222/402.1
3,462,046	8/1969	Bartels	D9/300 X
4,732,303	3/1988	Wang	222/536 X

Primary Examiner—James Gandy
Assistant Examiner—Cathron B. Matta
Attorney, Agent, or Firm—Brumbaugh, Graves, Donohue & Raymond

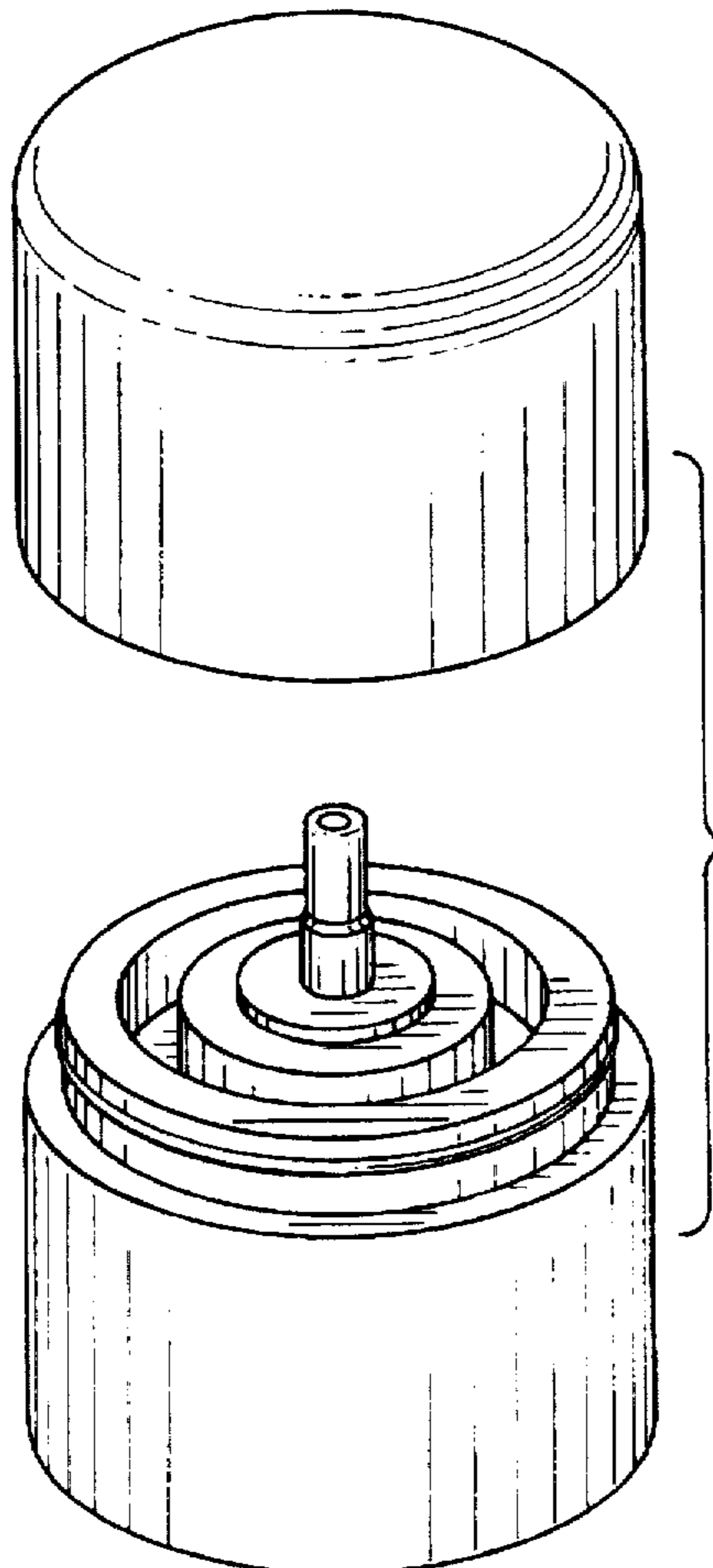
[57] **CLAIM**

The ornamental design for a spray unit, as shown and described.

DESCRIPTION

FIG. 1 is a front view of the spray unit of the present invention without the cover;
FIG. 2 is a top view thereof;
FIG. 3 is a bottom view thereof; and,
FIG. 4 is a perspective view of the spray unit of the present invention showing the cover removed from the body of the spray unit.

1 Claim, 1 Drawing Sheet



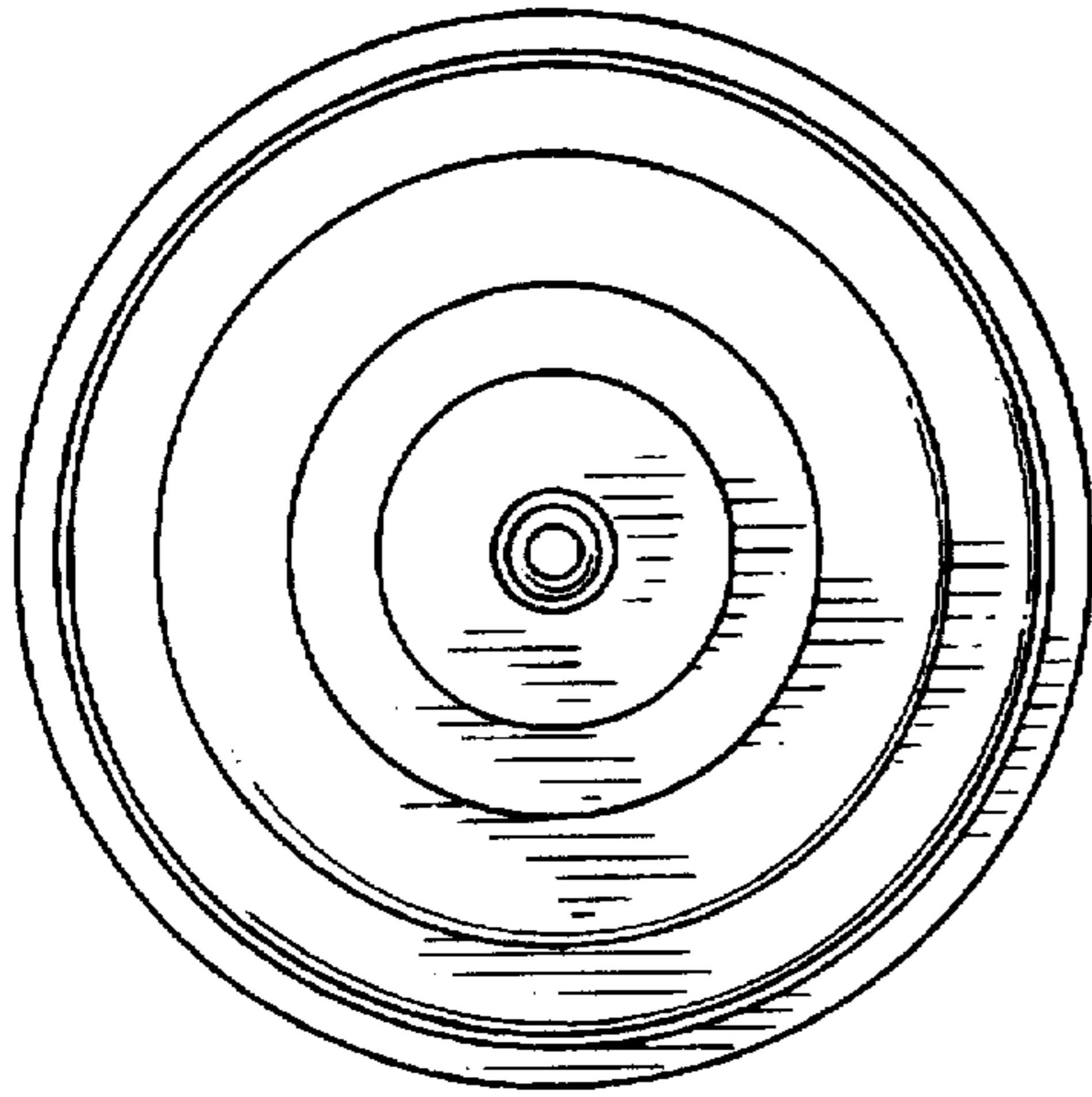


FIG. 2

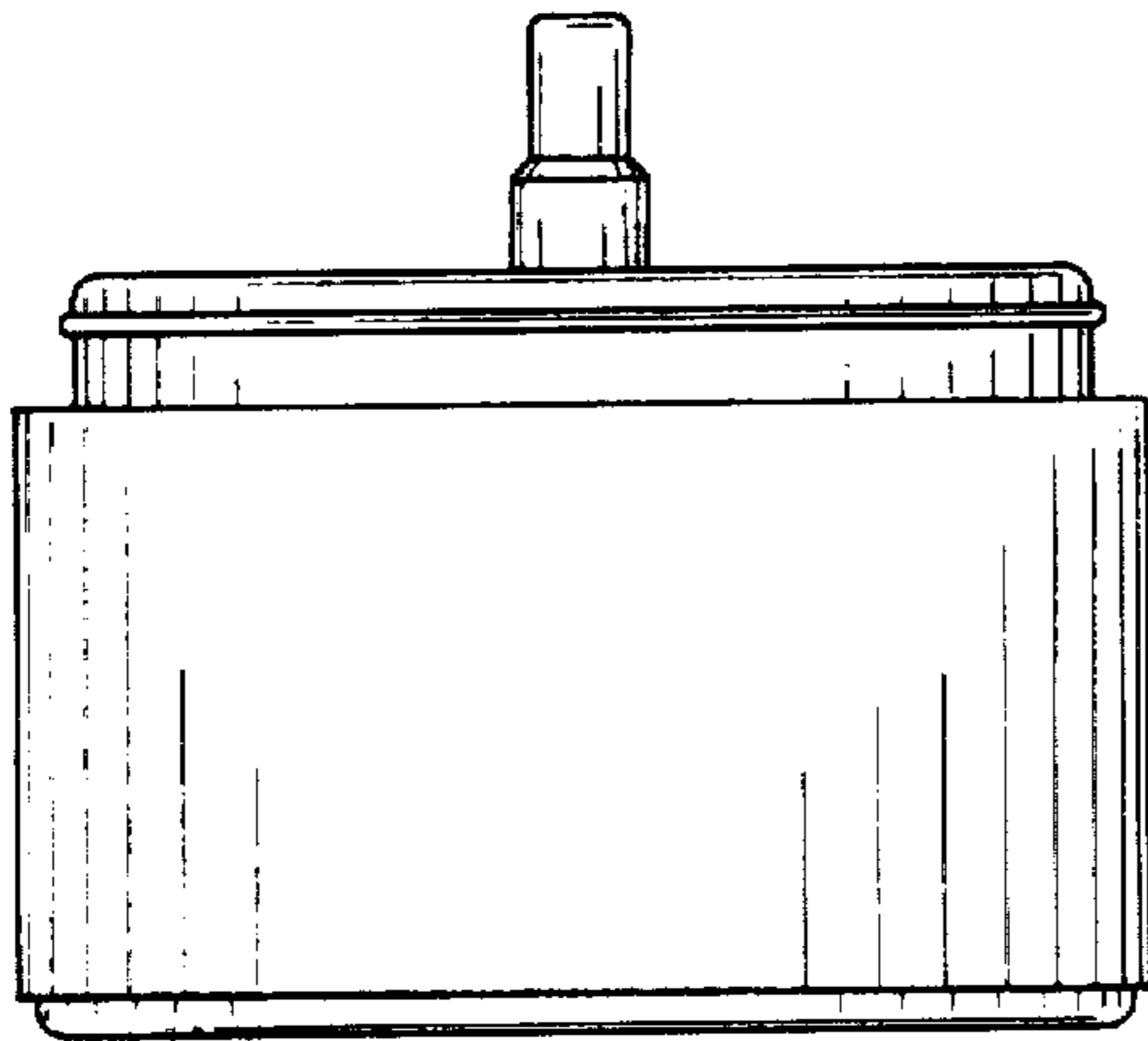


FIG. 1

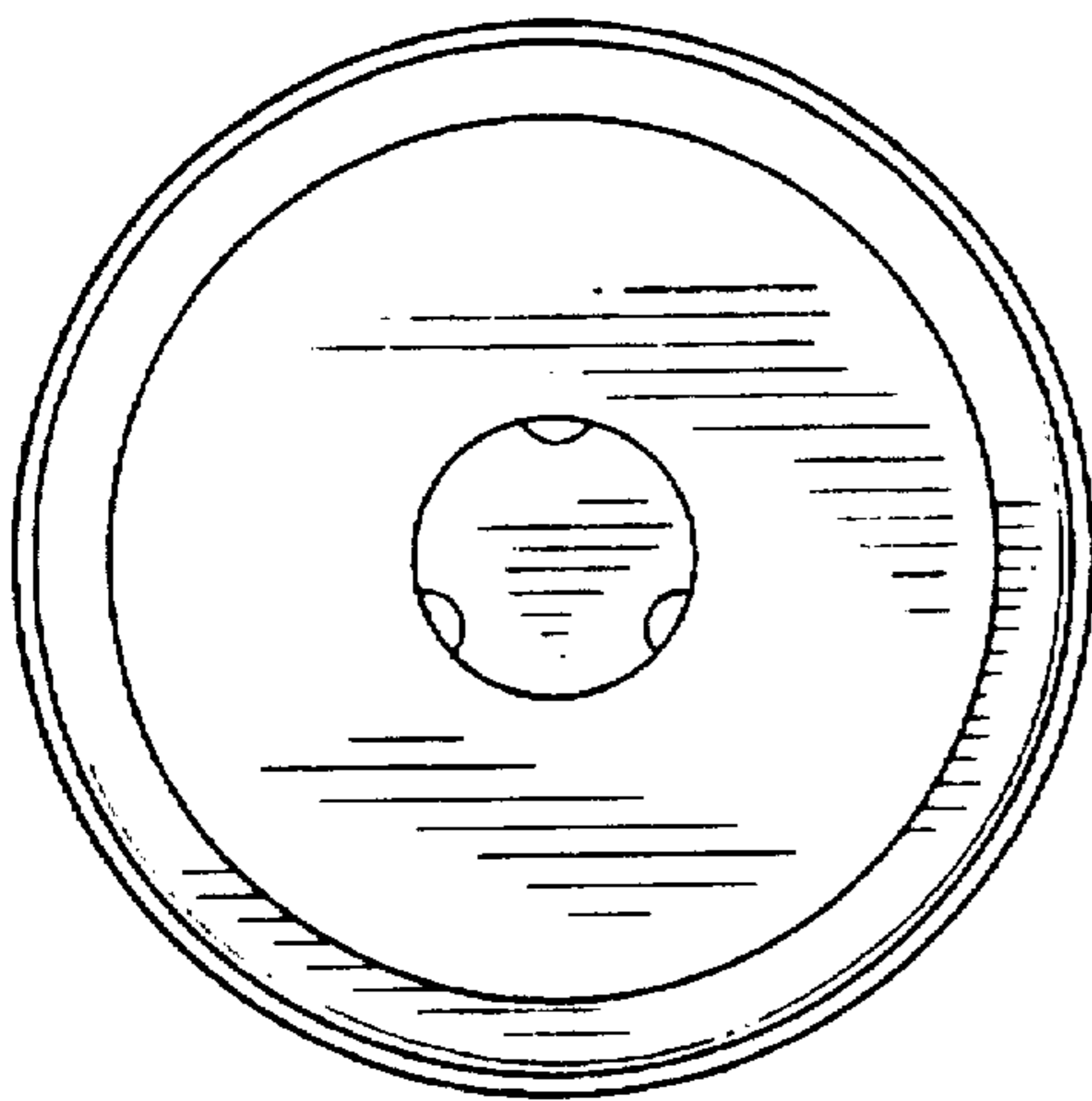


FIG. 3

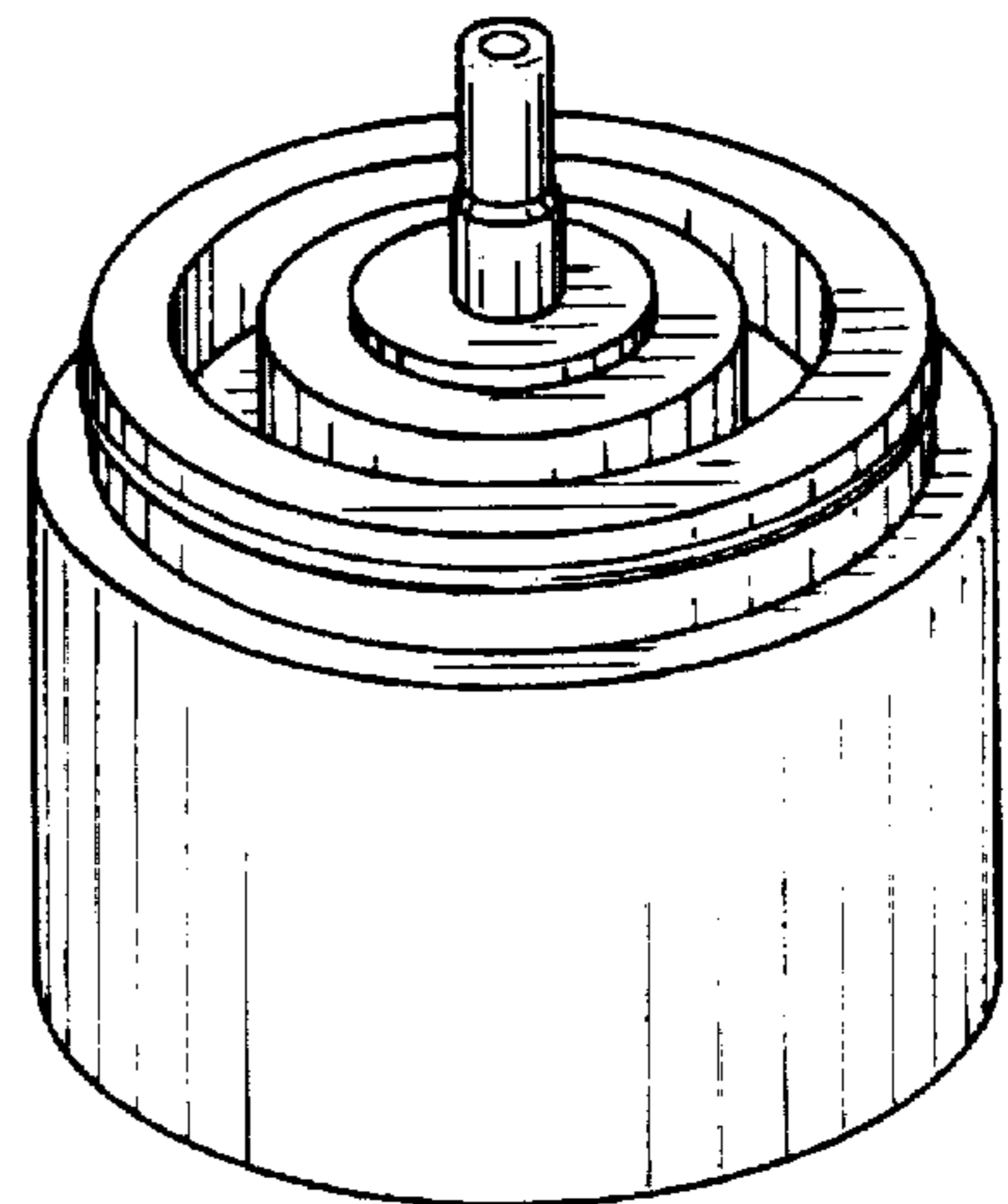
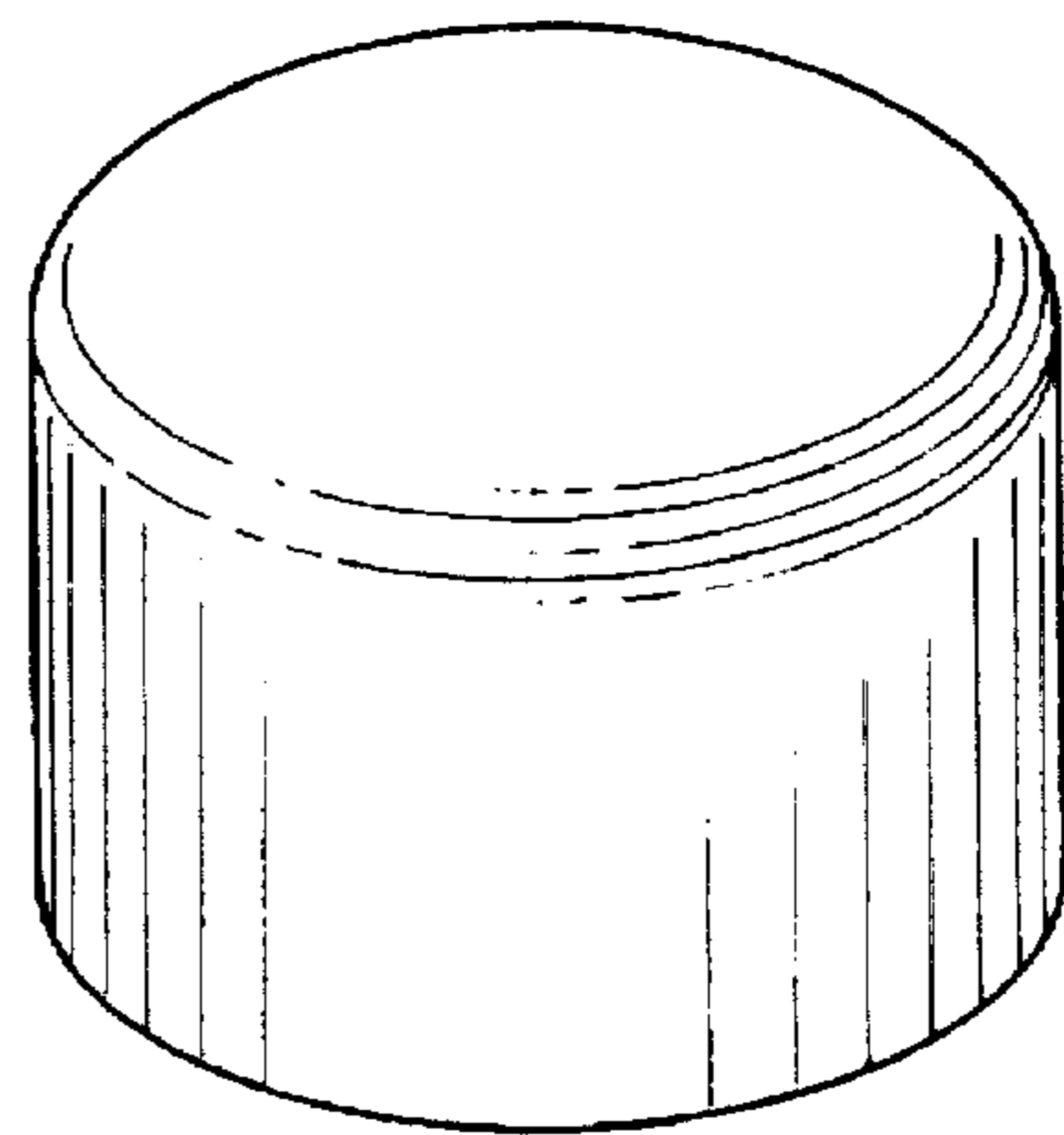


FIG. 4