

US00D388705S

United States Patent [19]

Miller et al.

[11] Patent Number: **Des. 388,705**

[45] Date of Patent: ****Jan. 6, 1998**

[54] ATTACHMENT END FOR CLEANING FLUID CANISTER

[75] Inventors: **Christopher M. Miller**, Milford;
Vernon S. Ping, III, Cincinnati; **Steven M. Schennum**, West Chester, all of Ohio

[73] Assignee: **The Procter & Gamble Company**, Cincinnati, Ohio

[**] Term: **14 Years**

[21] Appl. No.: **63,076**

[22] Filed: **Nov. 26, 1996**

[51] LOC (6) Cl. **09-07**

[52] U.S. Cl. **D9/447; D9/435**

[58] Field of Search **D9/434, 435, 440, D9/447-449, 454, 499; 215/200, 307, 310; 220/200, 202, 203.04, 203.13, 203.27; 222/215, 545, 567.68, 570**

[56] **References Cited**

U.S. PATENT DOCUMENTS

D. 325,170 4/1992 Frantz D9/435 X

D. 326,819 6/1992 Border D9/435 X
D. 329,981 10/1992 Card D9/447
D. 359,236 6/1995 Spafford et al. D9/447
2,842,167 7/1958 Tupper 222/570 X
4,949,884 8/1990 Dahl 222/570 X

Primary Examiner—James Gandy
Assistant Examiner—Cathorn B. Matta
Attorney, Agent, or Firm—Michael J. D'Amelio; Elizabeth M. Koch

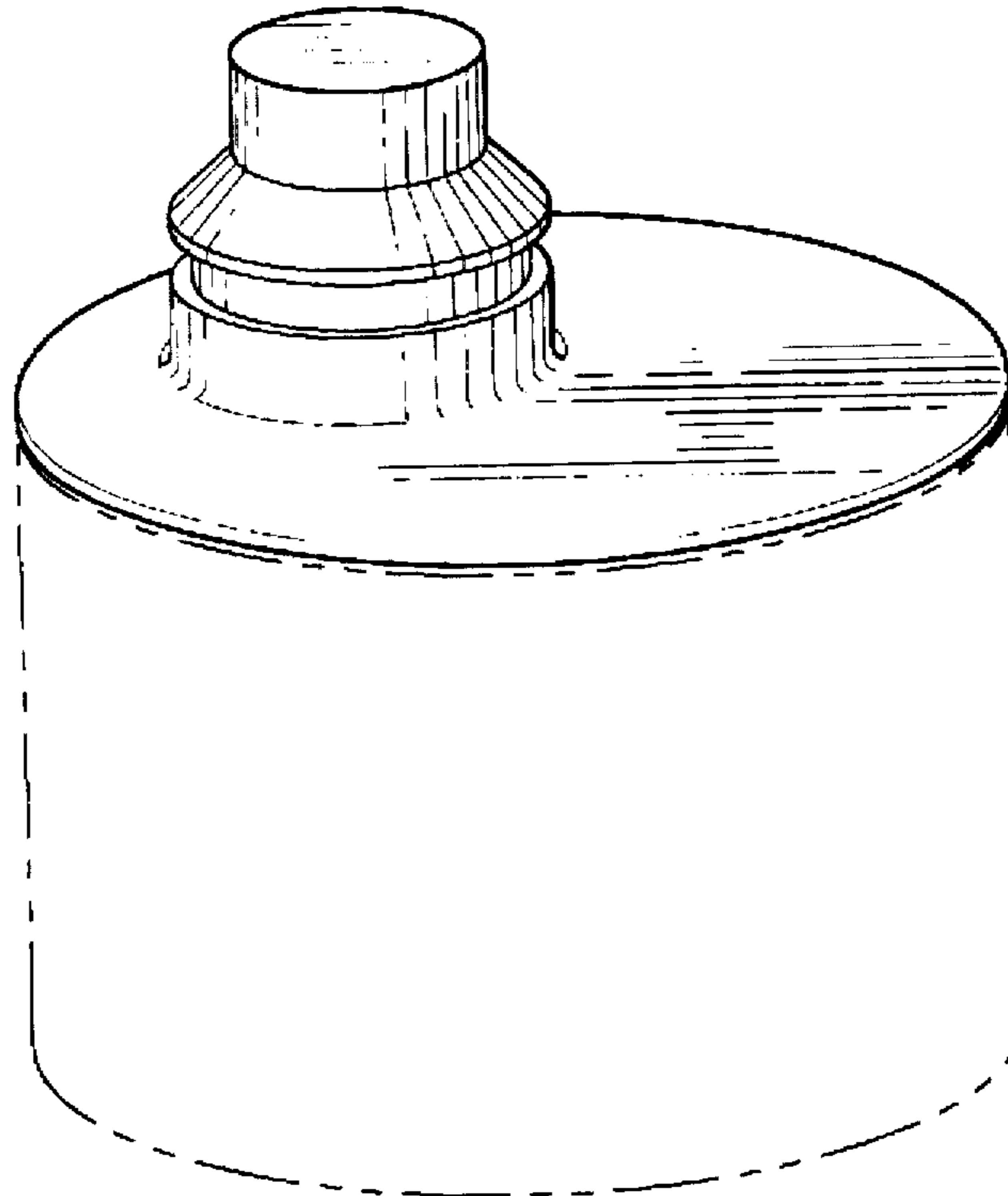
[57] **CLAIM**

The ornamental design for an attachment end for cleaning fluid canister, as shown and described.

DESCRIPTION

FIG. 1 is a perspective view of an attachment end for cleaning fluid canister, embodying my new design; FIG. 2 is a top view thereof; FIG. 3 is a front elevational view thereof the rear elevational view thereof being a mirror image; and, FIG. 4 is a side elevational view thereof, the opposite side elevational view thereof being a mirror image. The broken lines shown in the figures are for illustrative purposes only, and form no part of the claimed invention.

1 Claim, 1 Drawing Sheet



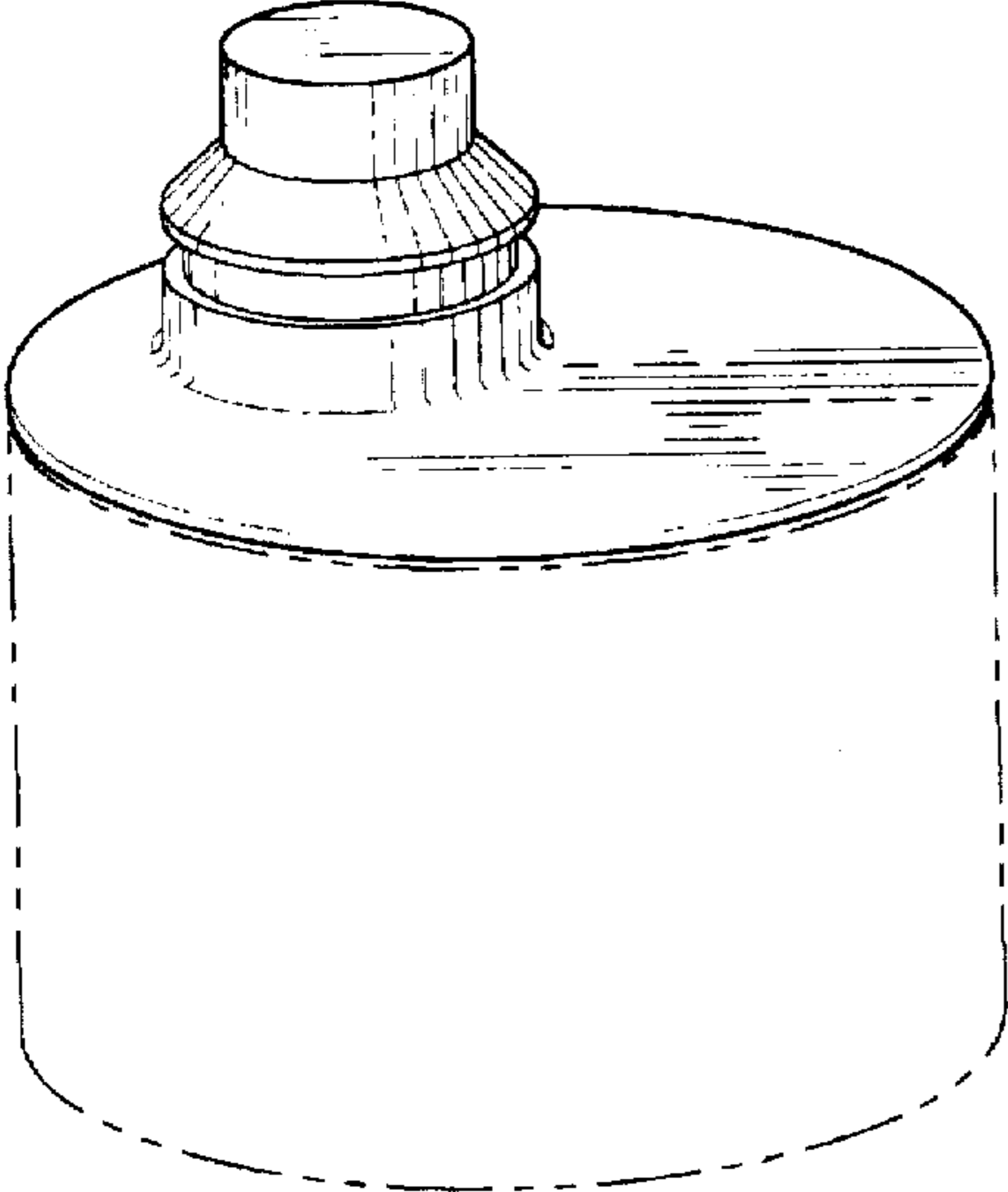


Fig. 1



Fig. 2

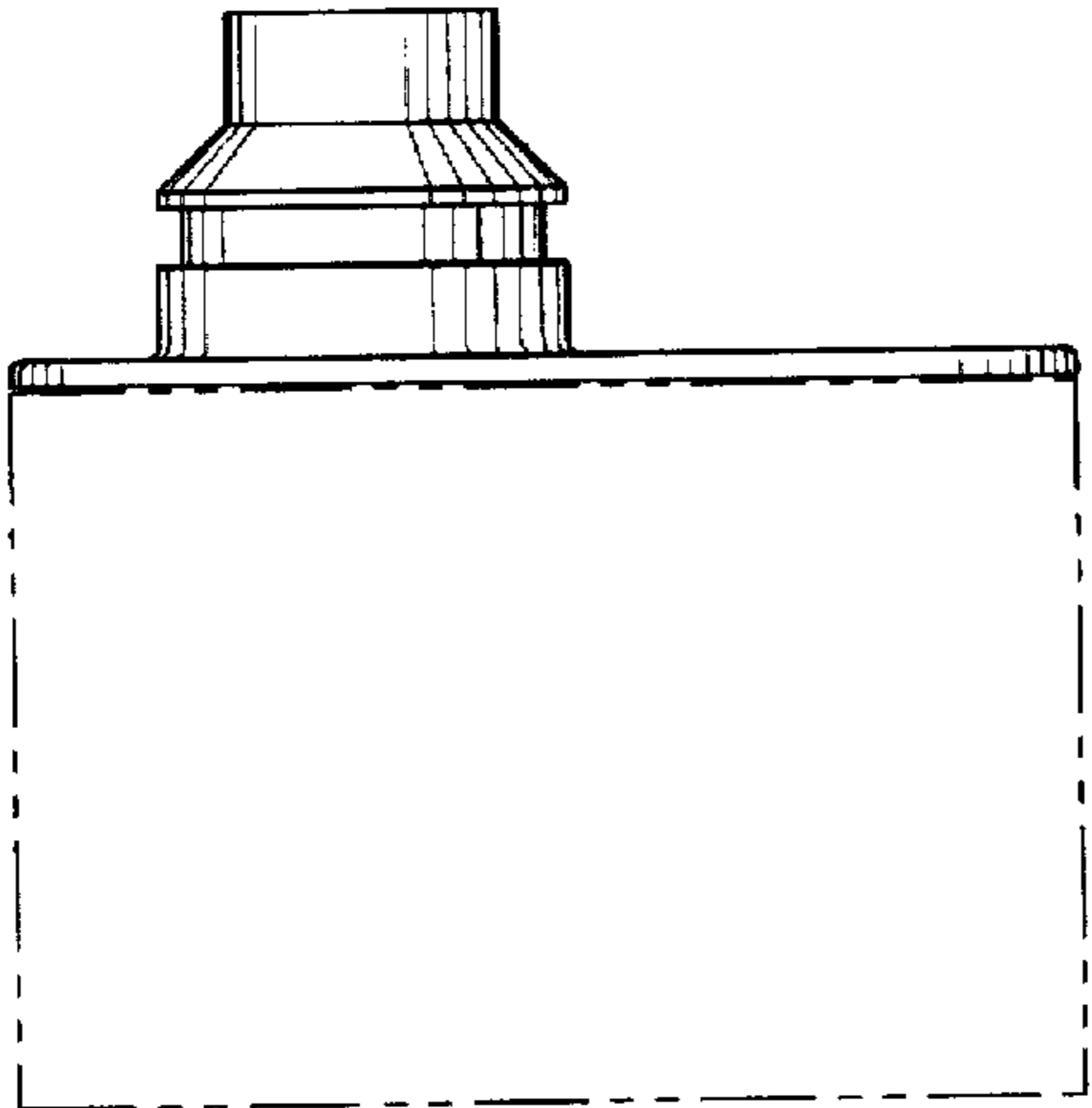


Fig. 4

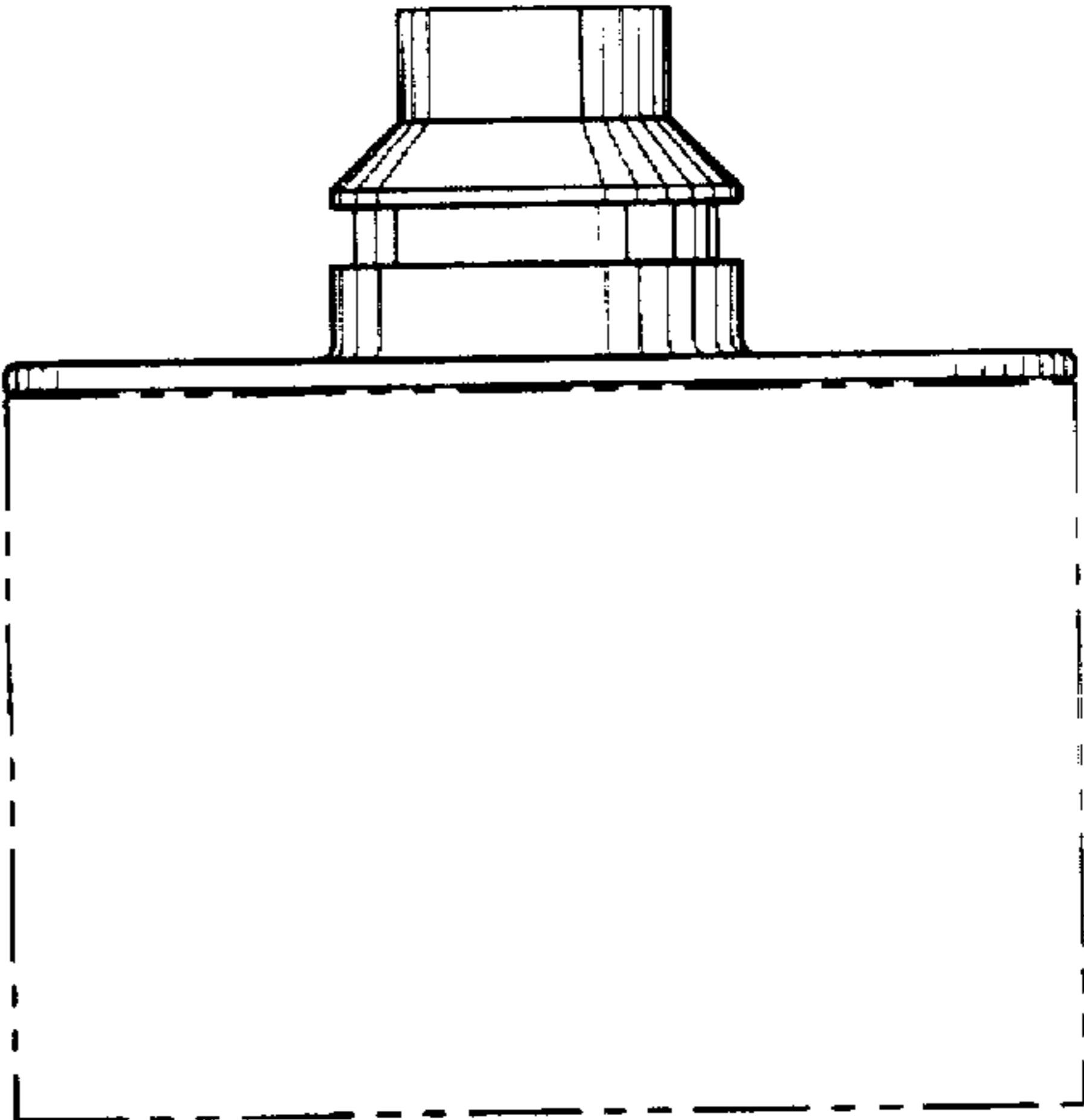


Fig. 3