



US00D388702S

**United States Patent** [19]  
**Mindel**

[11] **Patent Number: Des. 388,702**  
[45] **Date of Patent: \*\*Jan. 6, 1998**

[54] **CONTAINER CARRIER**

[75] **Inventor: Enrique Mindel, Rishon Letzion, Israel**  
[73] **Assignee: Super Plast Ltd., Petach-Tikva, Israel**  
[\*\*] **Term: 14 Years**

[21] **Appl. No.: 44,196**  
[22] **Filed: Sep. 20, 1995**

[30] **Foreign Application Priority Data**  
Mar. 20, 1995 [IL] Israel ..... 24146  
[51] **LOC (6) Cl. .... 09-07**  
[52] **U.S. Cl. .... D9/434**  
[58] **Field of Search .... D9/434-435, 455,**  
**D9/344-345; 206/147, 150, 151, 201; 215/395;**  
**220/23.4, 212; 248/312; 294/87.1, 87.2**

[56] **References Cited**

**U.S. PATENT DOCUMENTS**

D. 345,081	3/1994	Adami et al. ....	D9/435 X
3,331,500	7/1967	Puopitch .....	D9/344 X
3,346,106	10/1967	Gooding .....	206/151
3,350,131	10/1967	Tanzer .....	206/151
3,397,003	8/1968	Wherry .....	206/151 X
5,125,525	6/1992	Tucker .....	206/151 X
5,535,879	7/1996	Appleton .....	294/87.2 X

**FOREIGN PATENT DOCUMENTS**

9302942 2/1993 WIPO ..... 206/147

*Primary Examiner*—James Gandy  
*Assistant Examiner*—Cathryn B. Matta  
*Attorney, Agent, or Firm*—Kane, Dalsimer, Sullivan,  
Kurucz, Levy, Eisele and Richard LLP

[57] **CLAIM**

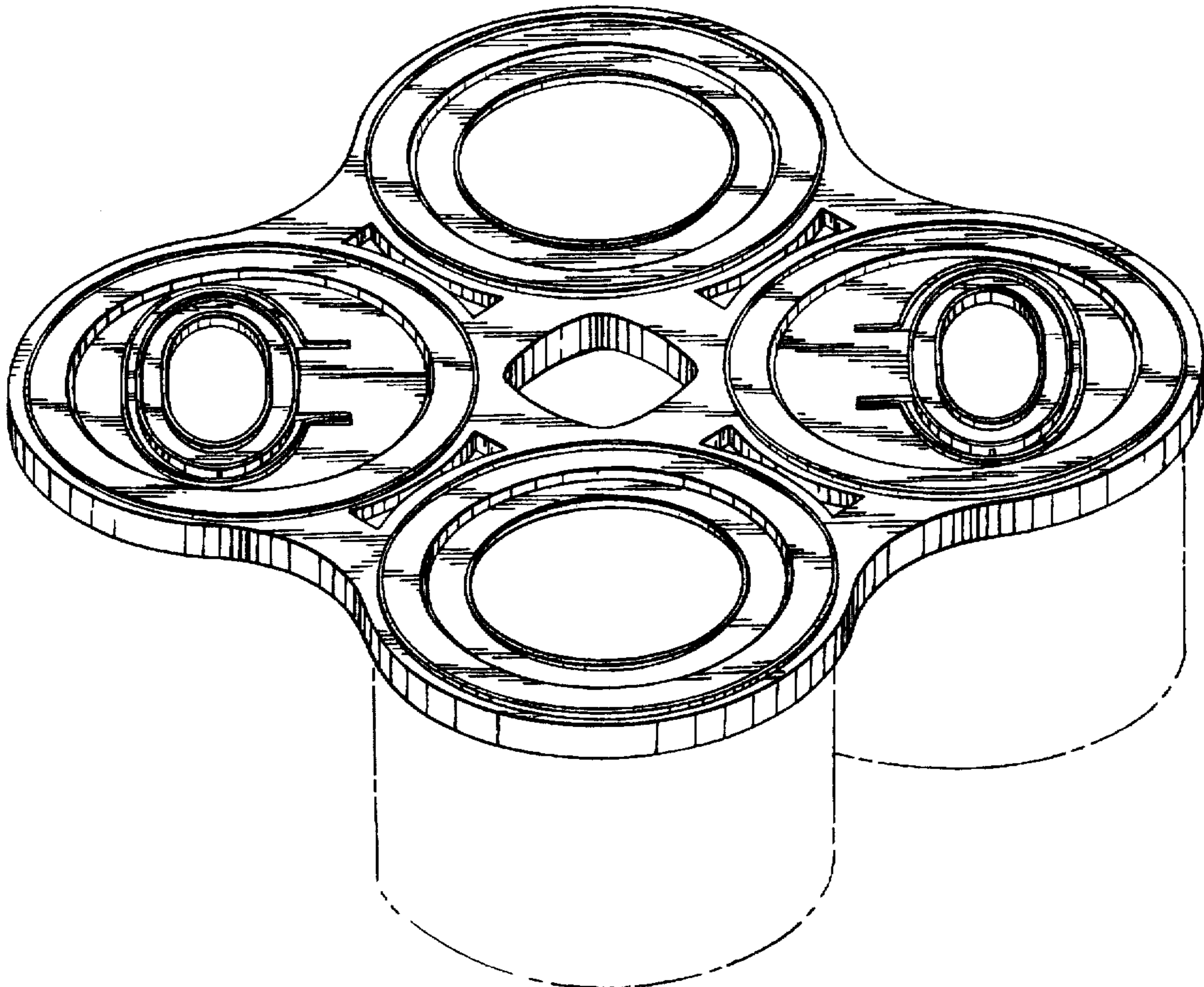
The ornamental design for a container carrier, as shown and described.

**DESCRIPTION**

FIG. 1 is a top and right side perspective view of a container carrier showing my new design;  
FIG. 2 is a front elevational view thereof;  
FIG. 3 is a front elevational view thereof, with the top of the container carrier open;  
FIG. 4 is a right side elevational view thereof;  
FIG. 5 is a top plan view thereof;  
FIG. 6 is a top front and right side perspective view of an alternative embodiment thereof; and,  
FIG. 7 is a top plan view of the alternative embodiment shown in FIG. 6.

The container carried by the container carrier is shown in broken lines in the figures for illustrative purposes only and forms no part of the claimed design.

**1 Claim, 7 Drawing Sheets**



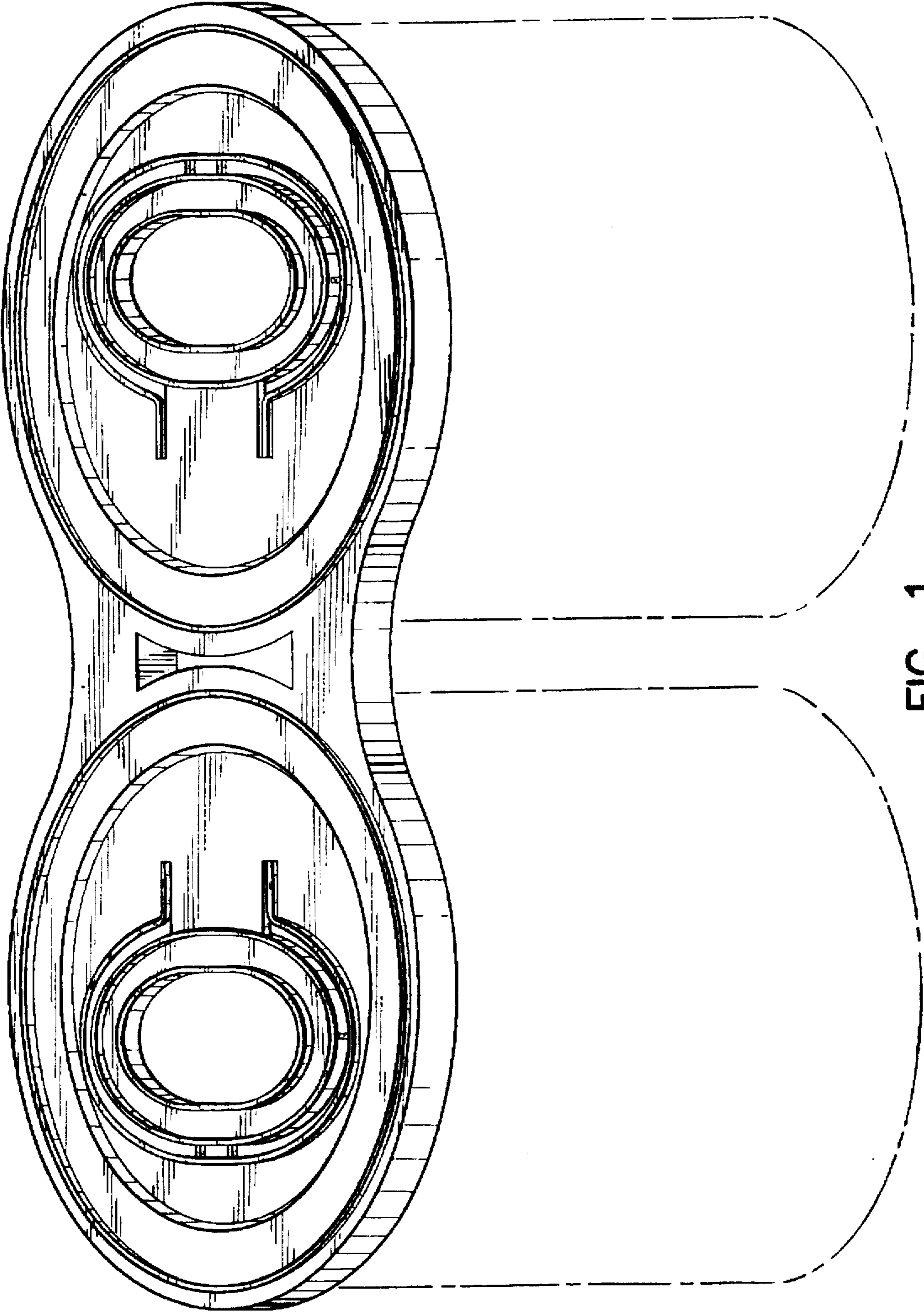


FIG. 1

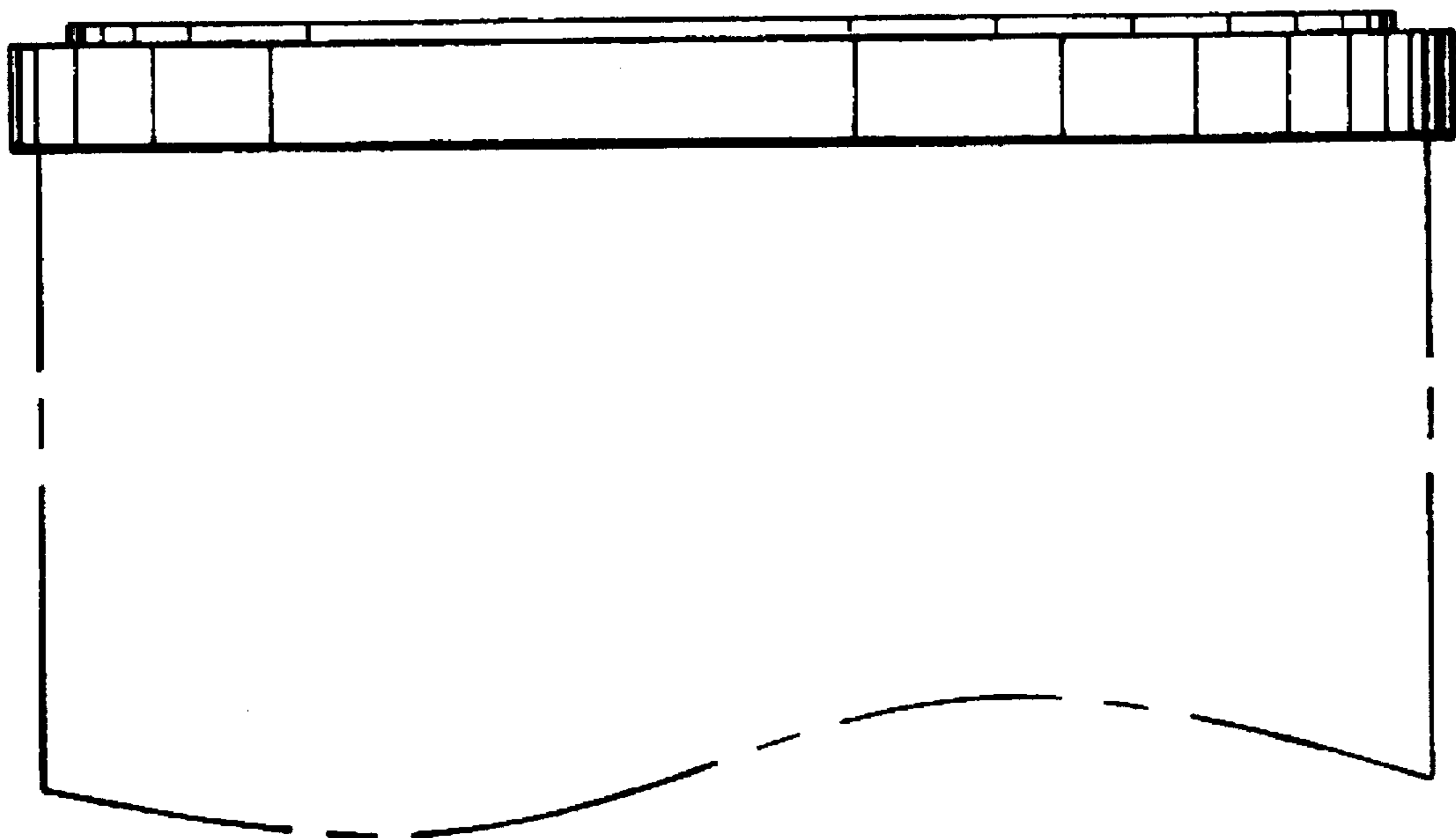


FIG. 2

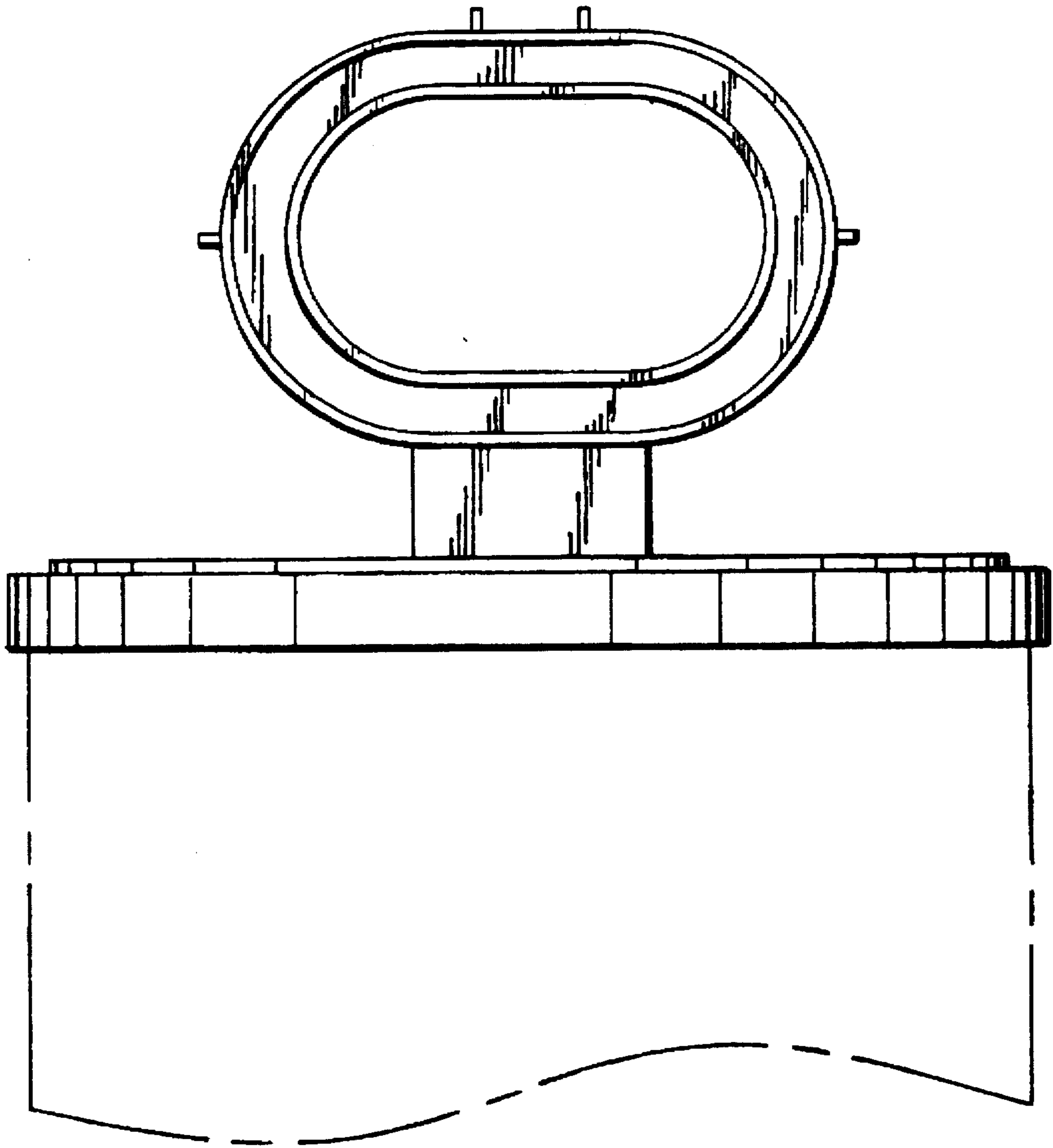


FIG. 3

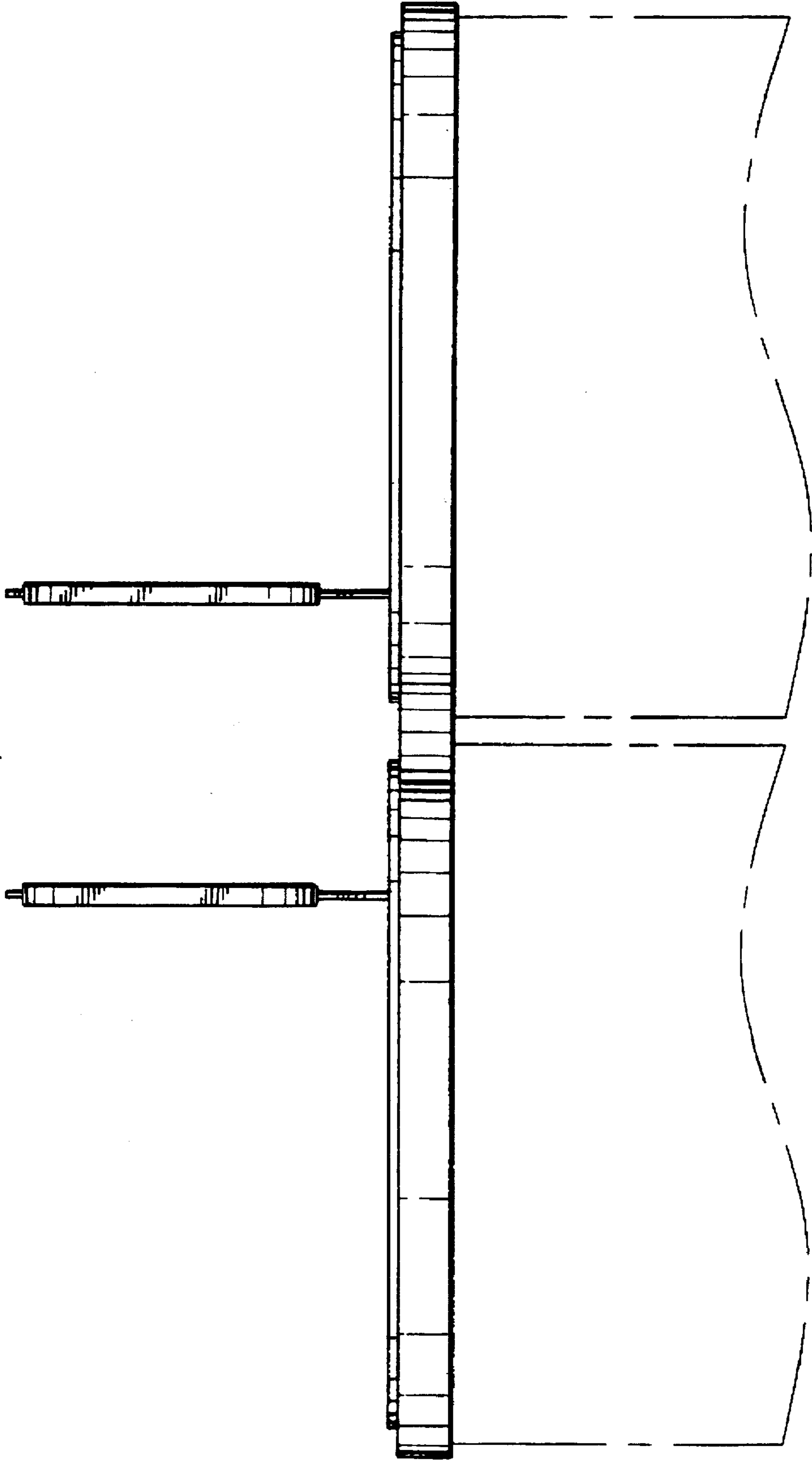


FIG. 4

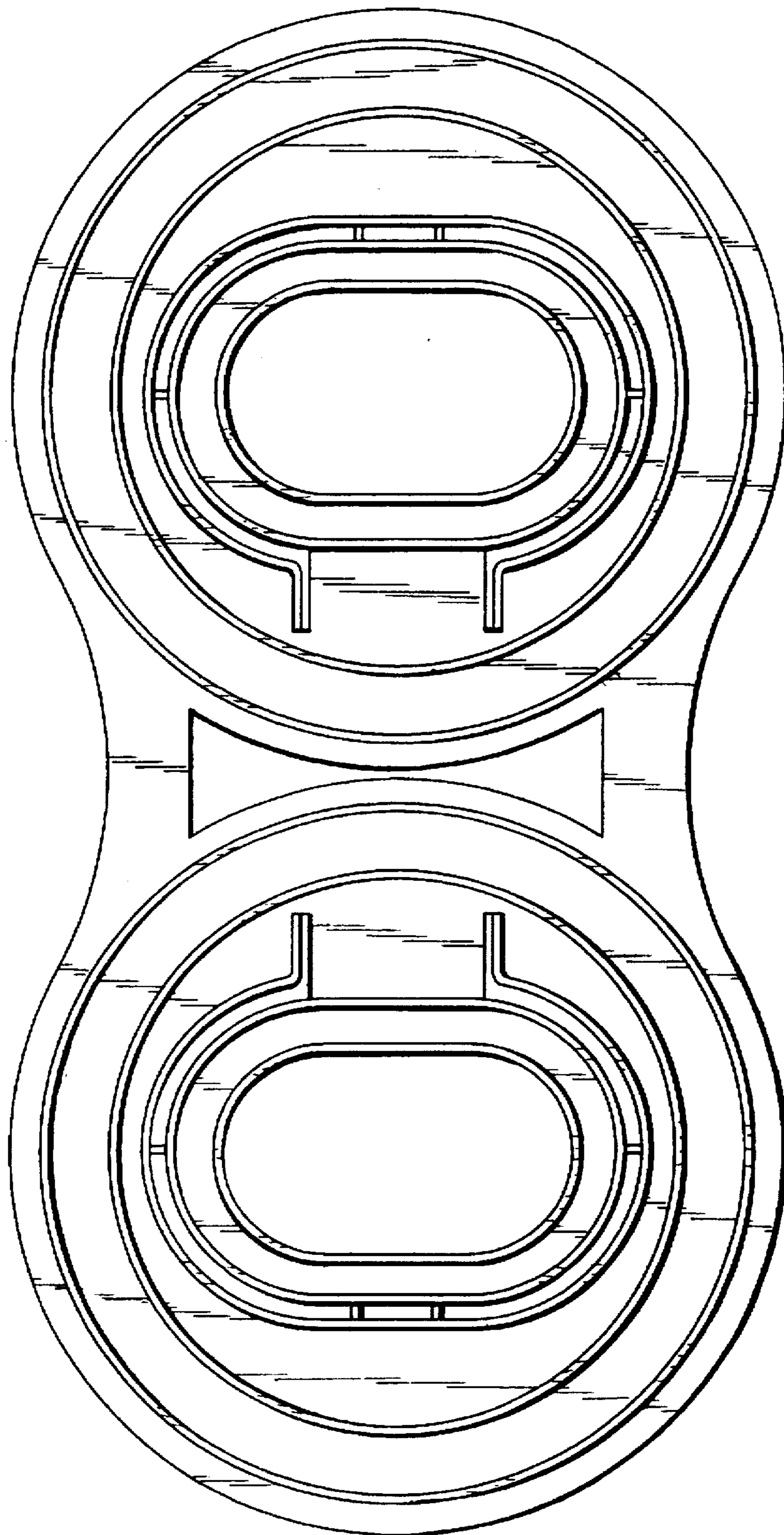


FIG. 5

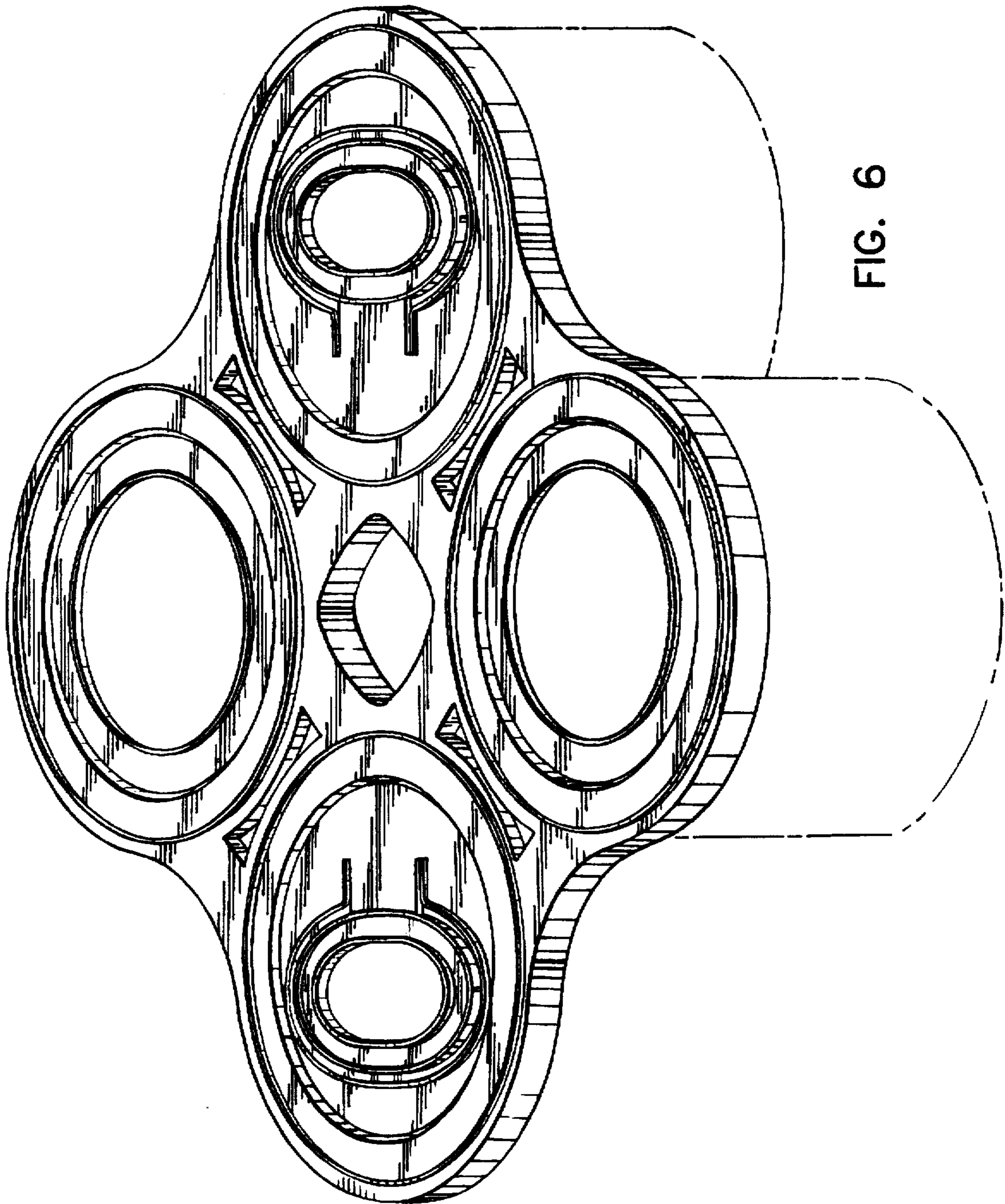


FIG. 6

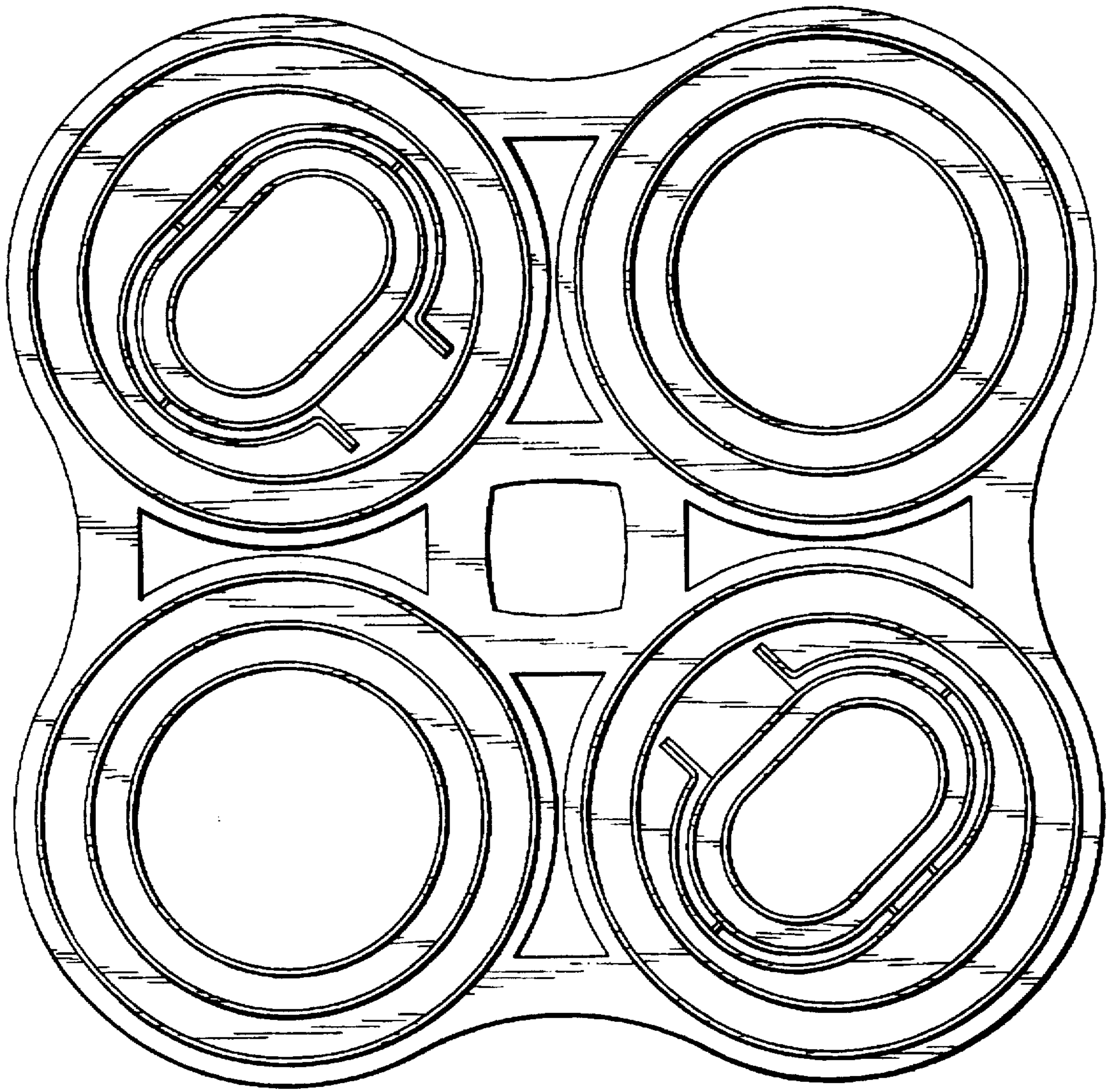


FIG. 7