

US00D388696S

# United States Patent [19]

[11] Patent Number: Des. 388,696

Troy

[45] Date of Patent: \*\*Jan. 6, 1998

[54] **COMBINED HOOK-AND-LOOP MATERIAL DOOR-HOLDING DOOR STOP AND RECEIVER THEREFOR**

4,782,553 11/1988 Morrison ..... 16/86 A  
5,575,514 11/1996 Troy ..... 292/340

### OTHER PUBLICATIONS

[76] Inventor: Robert F. Troy, P.O. Box 4145, Scottsdale, Ariz. 85261-4145

Undated brochure for Automobile Shipping Blocks, headed "Drawings by Edward S. Evans, Auto Loading Expert" item No. 7—Case, Jun. 1922.

[\*\*] Term: 14 Years

Primary Examiner—Ted Shooman  
Assistant Examiner—C. Tuttle

[21] Appl. No.: 69,737

[22] Filed: Apr. 16, 1997

### [57] CLAIM

[51] LOC (6) Cl. .... 08-09

[52] U.S. Cl. .... D8/402

[58] Field of Search ..... D8/402; 16/82, 16/83, 85, 86 R, 86 A, 86 B; 292/340, 203, DIG. 15, DIG. 19

The ornamental design for a combined hook-and-loop material door-holding door stop and receiver therefor, as shown and described.

### DESCRIPTION

### [56] References Cited

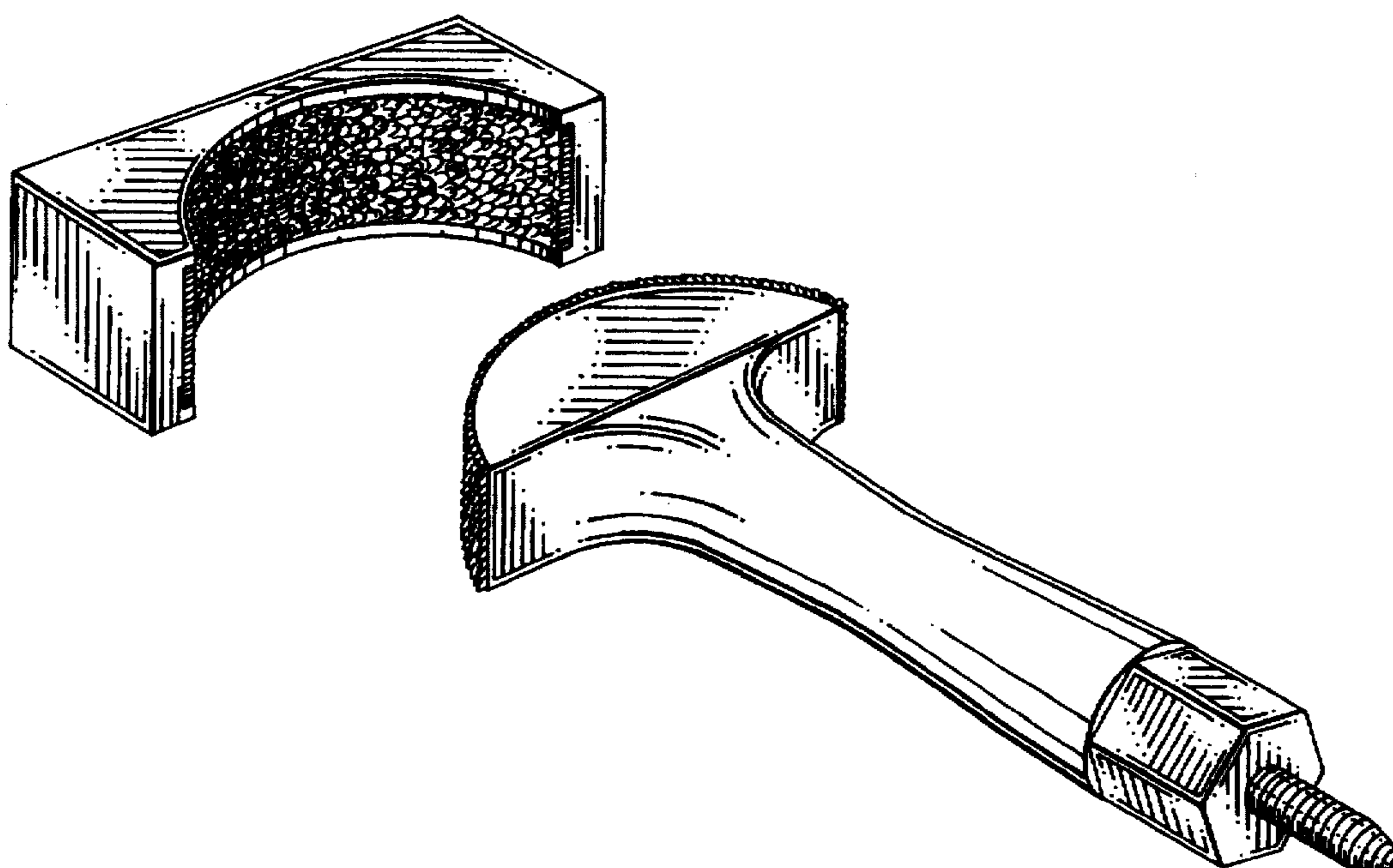
#### U.S. PATENT DOCUMENTS

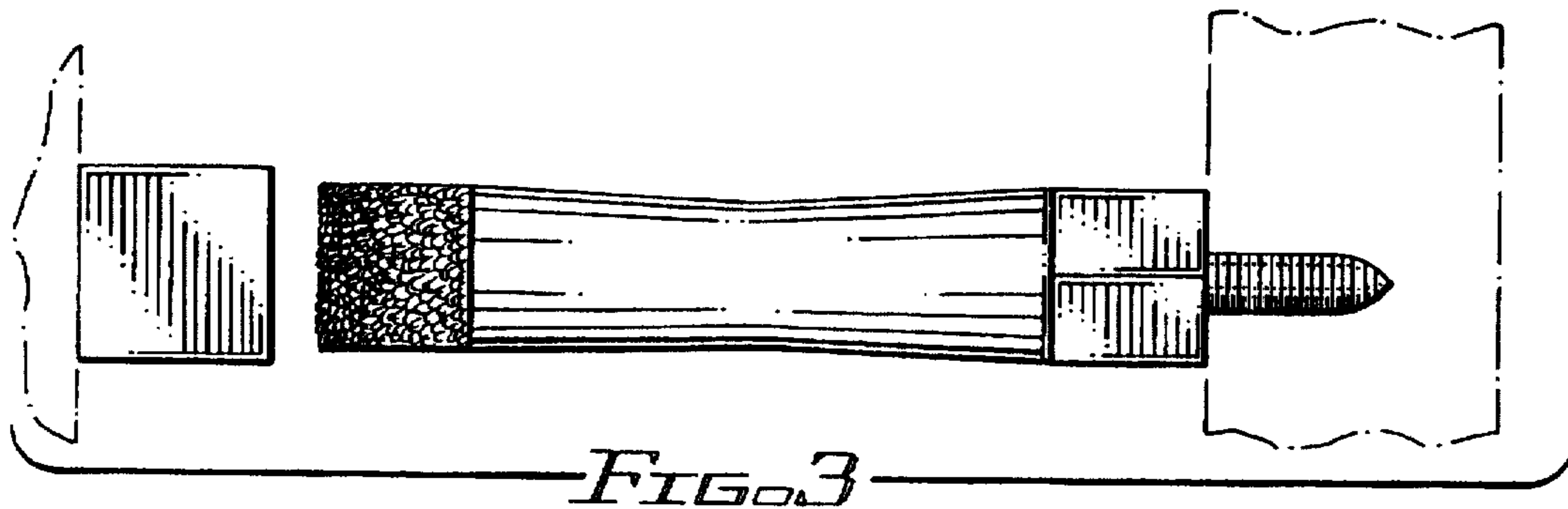
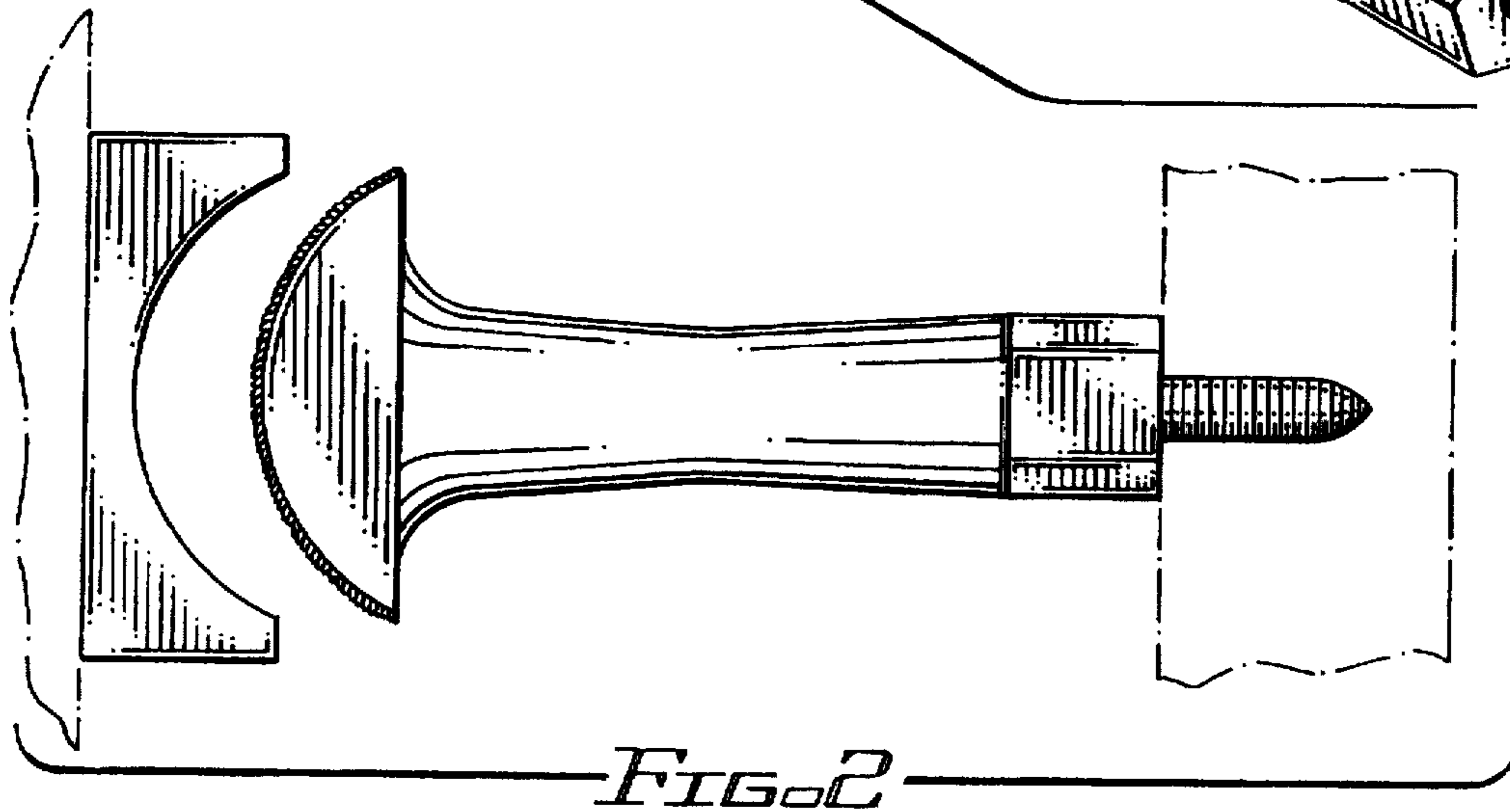
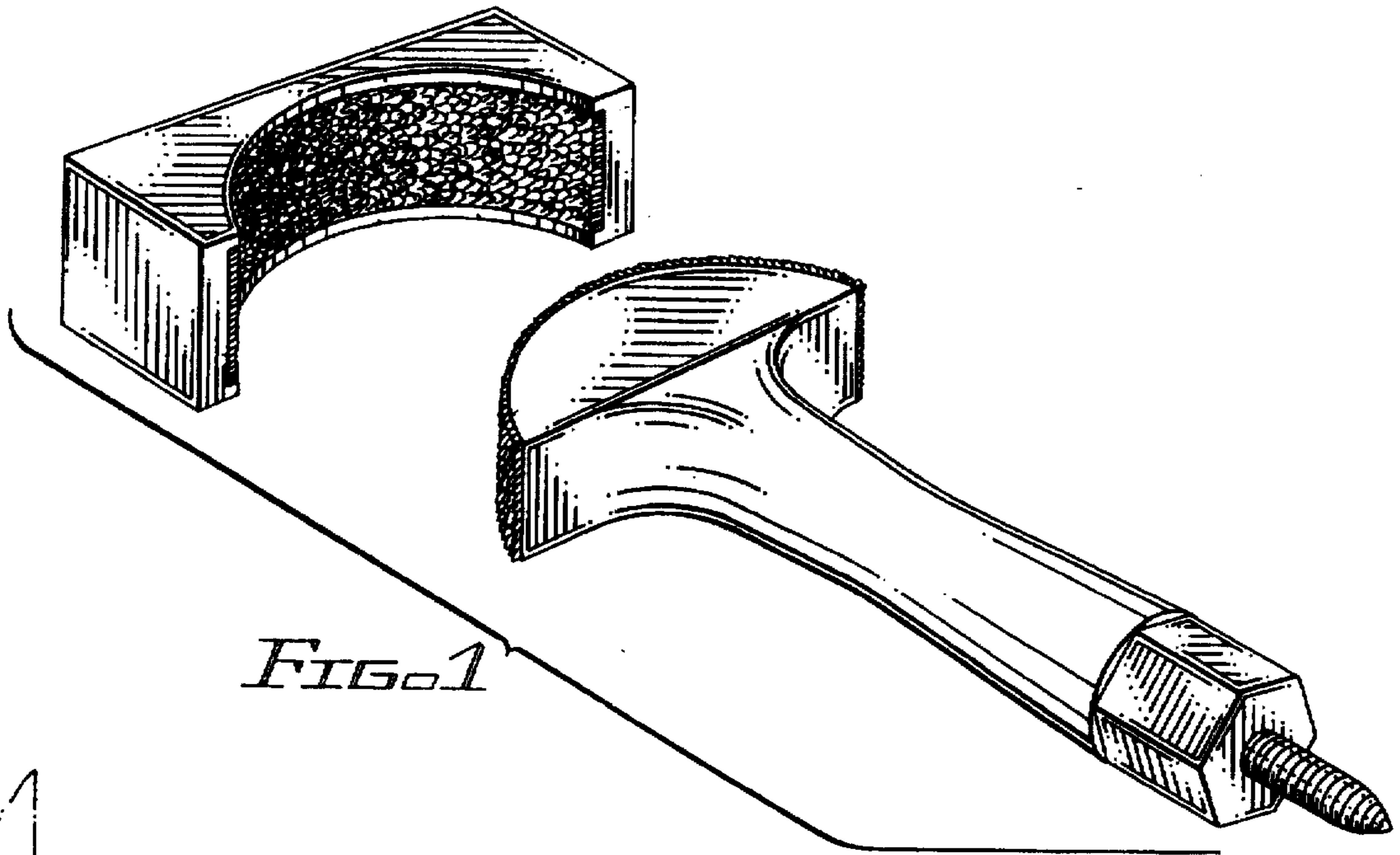
D. 143,039	11/1945	Shanfield	.....	D8/402
D. 191,784	11/1961	Ingram	.....	D8/402
D. 253,335	11/1979	Gauntner et al.	.....	D8/402
D. 259,395	6/1981	Sagasawara	.....	D8/402
D. 274,980	8/1984	Tomita	.....	D8/402
D. 303,626	9/1989	Morrison	.....	D8/402
D. 333,974	3/1993	Zechiel	.....	D8/402
416,465	12/1889	Lawson	.....	16/85 X
1,564,183	12/1925	Prinzler	.....	
1,688,221	10/1928	Abbey	.....	
2,338,899	1/1944	Brenkzikofer	.....	16/86
2,496,691	2/1950	Berry	.....	292/70
2,815,236	12/1957	Lowinski	.....	292/251.5
3,025,559	3/1962	Basinger	.....	D8/402
3,163,453	12/1964	Stephens	.....	292/251.5
3,244,443	4/1966	Rodgers	.....	292/251.5
3,758,141	9/1973	Weibberger	.....	292/262
3,966,245	6/1976	Losenno	.....	292/DIG. 15 X

FIG. 1 is an exploded perspective view of the hook-and-loop material door-holding door stop and receiver therefor; FIG. 2 is an exploded top view of the design, the side opposite being a mirror image thereof; FIG. 3 is a side view thereof, the side opposite being a mirror image thereof; FIG. 4 is a front view of the receiver component of the design, shown separately for clarity; FIG. 5 is a rear view of the receiver component; FIG. 6 is a front view of the door stop component the design, shown separately for clarity; FIG. 7 is a rear view of the door stop component; FIG. 8 is an assembled side view of the door stop and the receiver therefor; and, FIG. 9 is an assembled top view of the door stop and the receiver therefor.

The broken lines are for illustrative purposes only, and form no part of the claim.

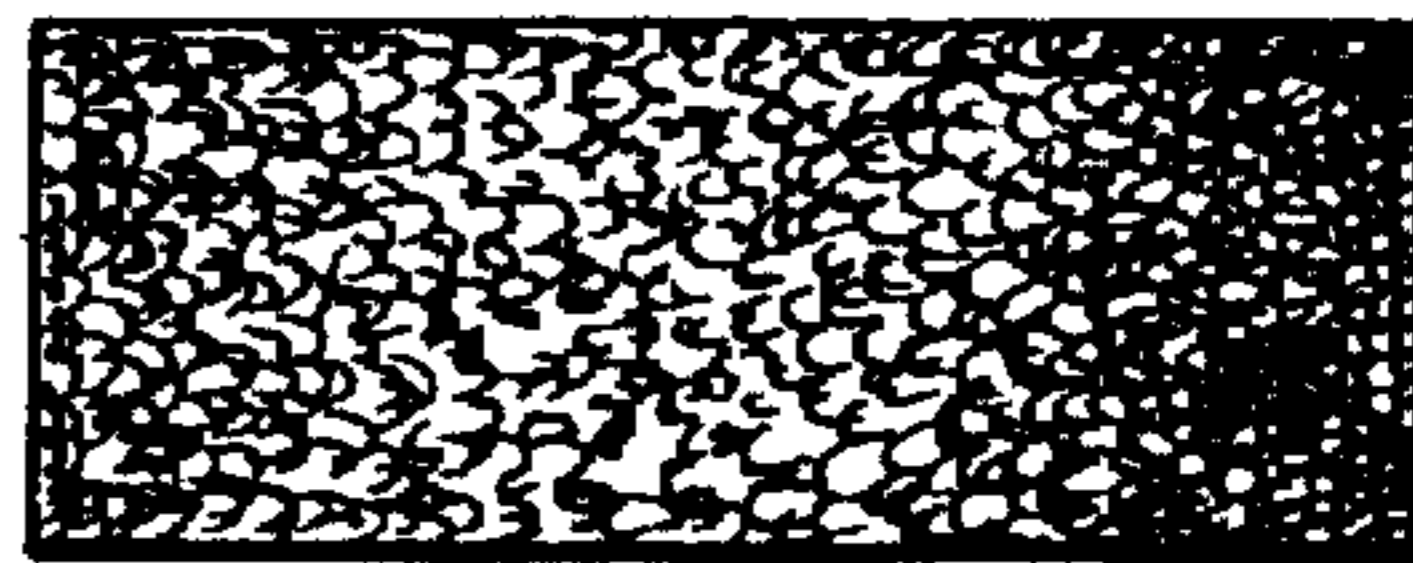
1 Claim, 2 Drawing Sheets



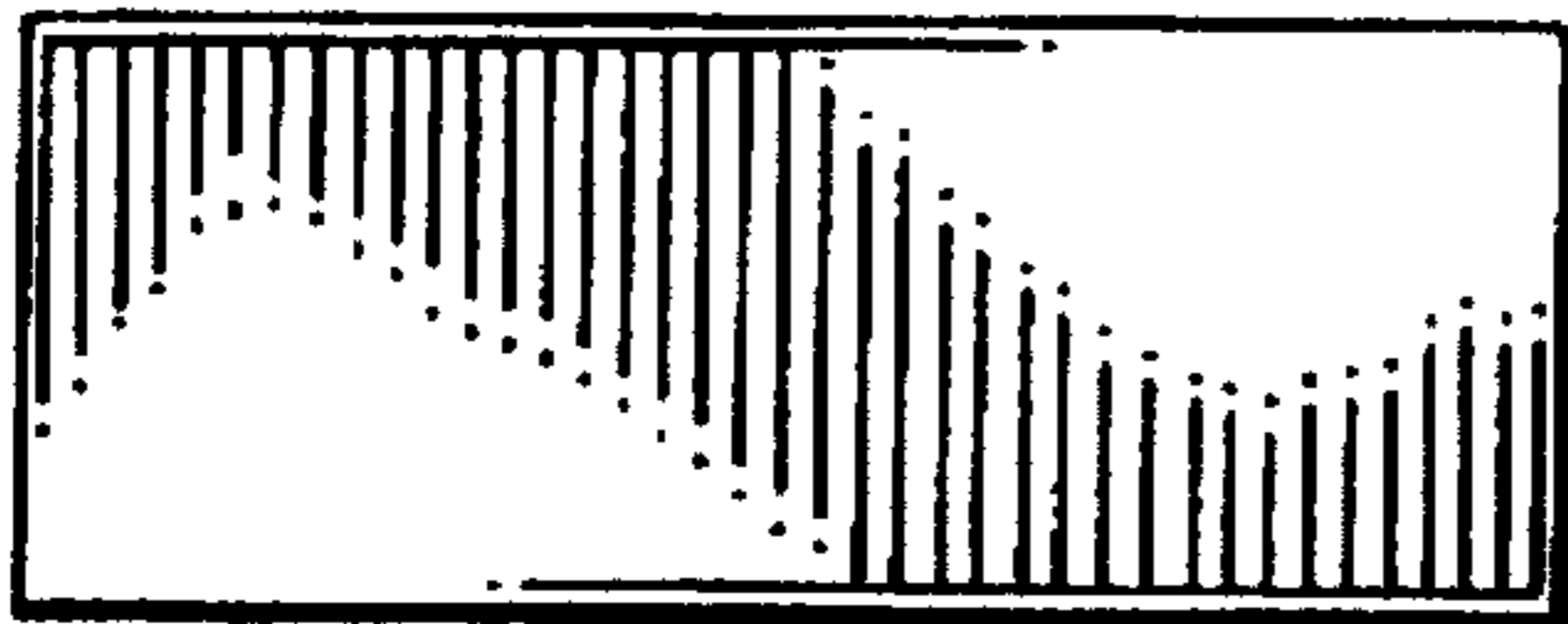




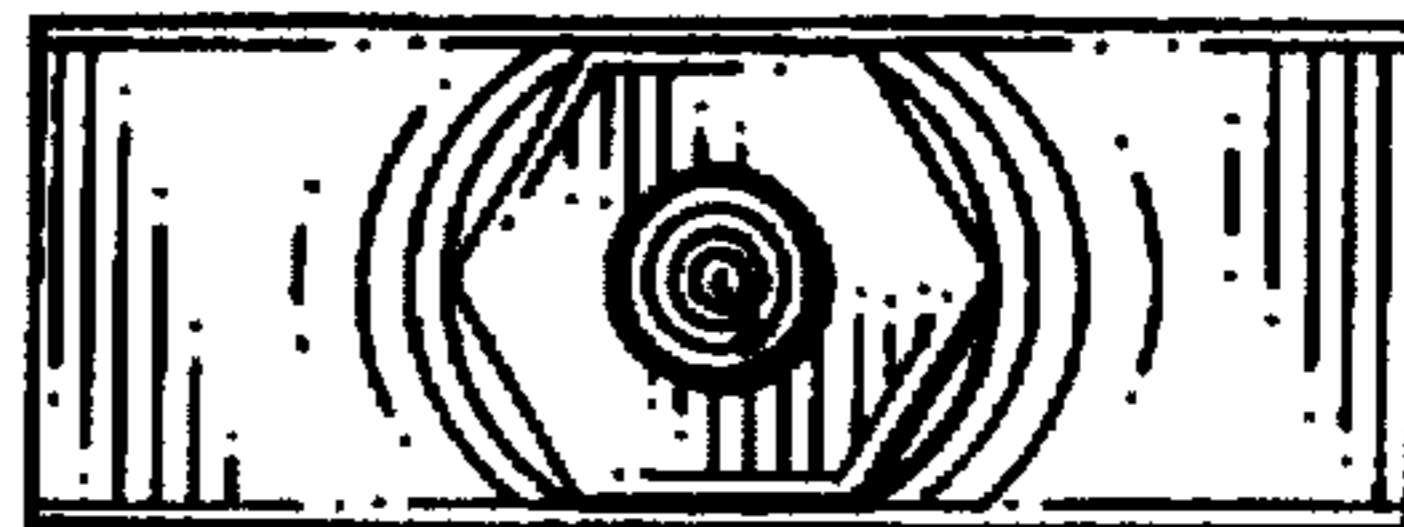
*FIG. 4*



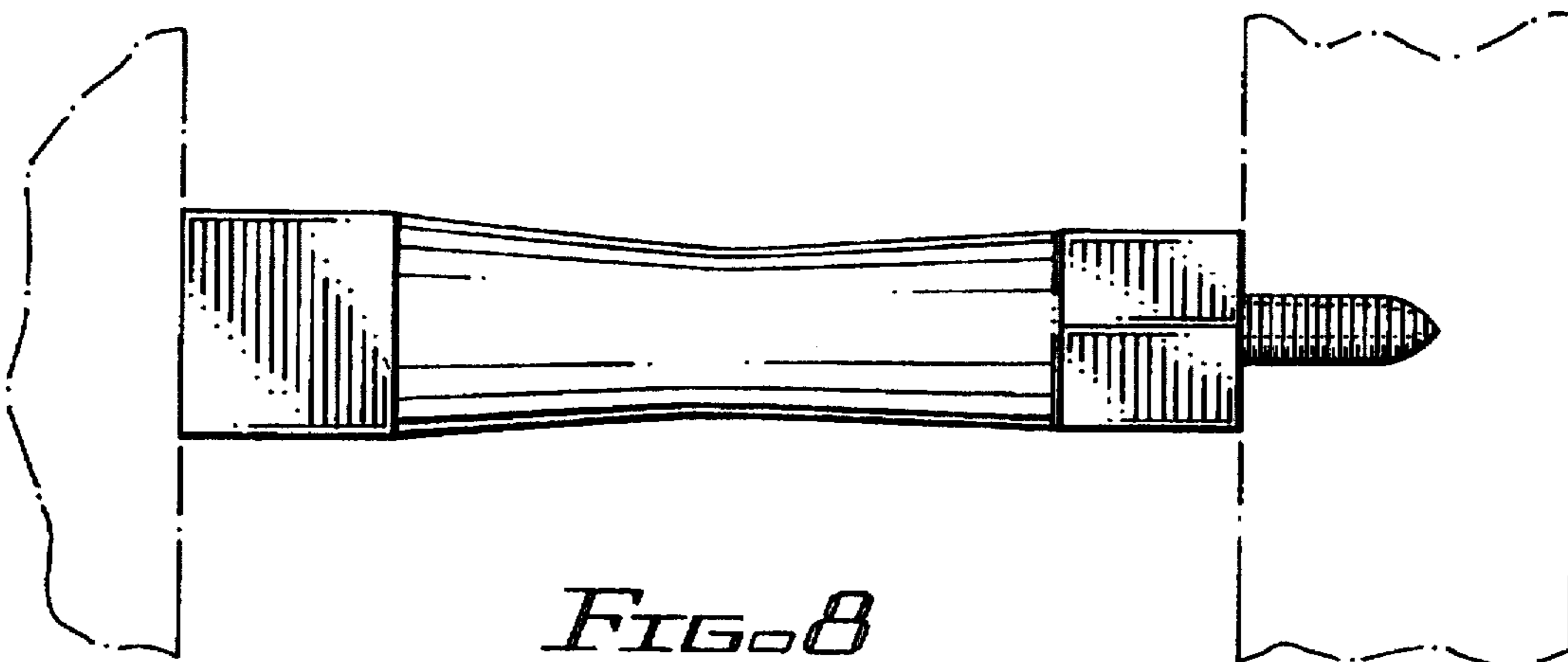
*FIG. 6*



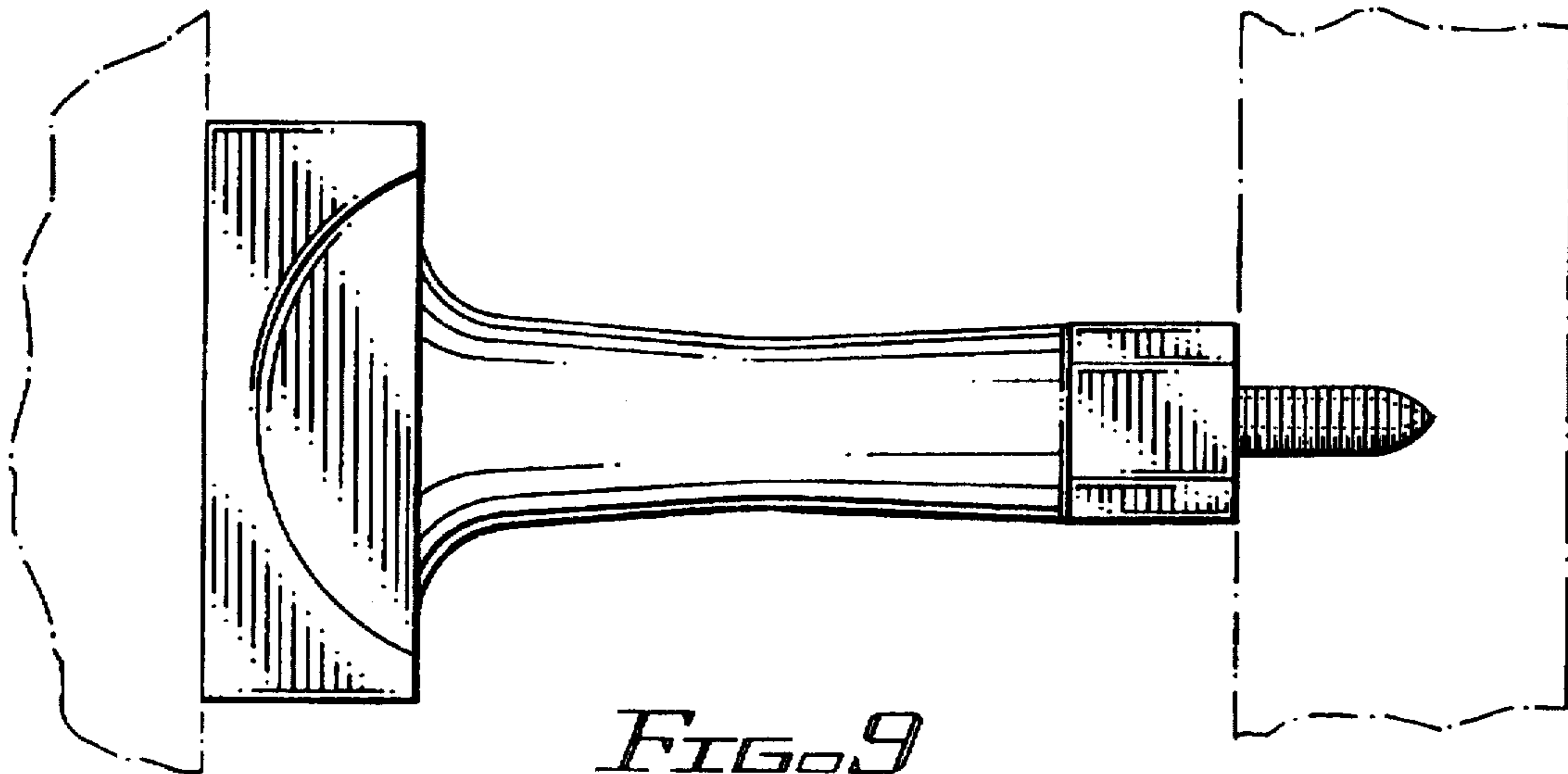
*FIG. 5*



*FIG. 7*



*FIG. 8*



*FIG. 9*