



US00D388694S

**United States Patent** [19]  
**Cohen**

[11] **Patent Number:** **Des. 388,694**  
[45] **Date of Patent:** **\*\*Jan. 6, 1998**

[54] **SHELF SUPPORT BRACKET**

[75] **Inventor:** **Chaim Cohen, Holon, Israel**

[73] **Assignee:** **R.C.S. Ltd., Rishon Le Tzion, Israel**

[\*\*] **Term:** **14 Years**

[21] **Appl. No.:** **58,922**

[22] **Filed:** **Aug. 28, 1996**

[30] **Foreign Application Priority Data**

Feb. 29, 1996 [IL] Israel ..... 25941

[51] **LOC (6) Cl.** ..... **08-05**

[52] **U.S. Cl.** ..... **D8/381**

[58] **Field of Search** ..... **D8/380-381; 248/243, 248/250**

[56] **References Cited**

**U.S. PATENT DOCUMENTS**

D. 289,495 4/1987 Hughes et al. .... D8/381

D. 302,240 7/1989 Zell ..... D8/380 X  
3,471,112 10/1969 MacDonald et al. .... 248/243 X  
4,732,358 3/1988 Hughes et al. .... 248/243

*Primary Examiner*—Holly Baynham  
*Attorney, Agent, or Firm*—Edward Langer, Pat. Atty.

[57] **CLAIM**

The ornamental design for a shelf support bracket, as shown and described.

**DESCRIPTION**

FIG. 1 is a front view of a shelf support bracket showing my new design;

FIGS. 2-3 are, respectively, left and right side views of the design of FIG. 1;

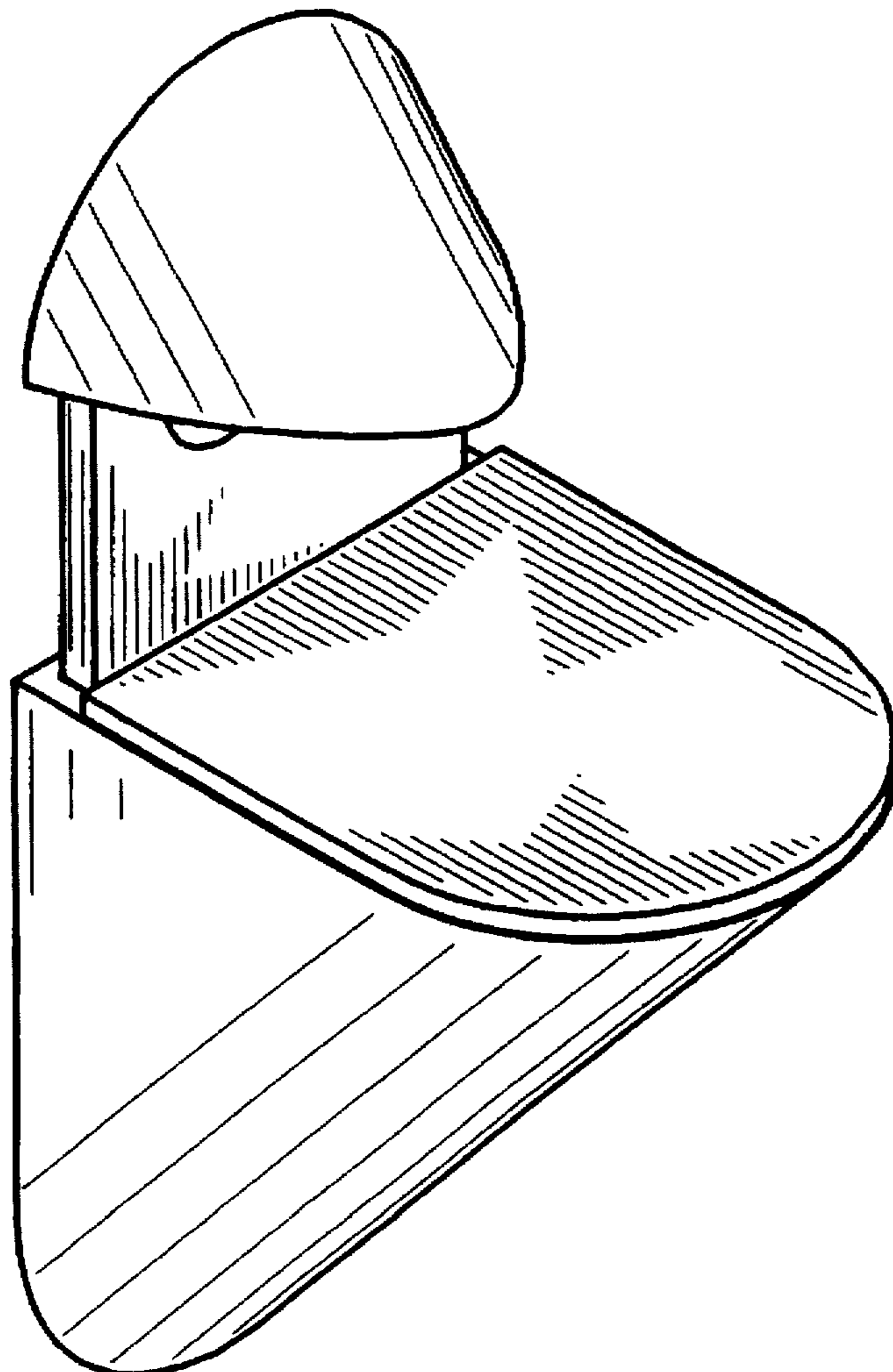
FIG. 4 is a rear view of the design of FIG. 1;

FIG. 5 is a bottom view of the design of FIG. 1;

FIG. 6 is a top view of the design of FIG. 1; and,

FIG. 7 is a top left perspective view of the design of FIG. 1.

**1 Claim, 2 Drawing Sheets**



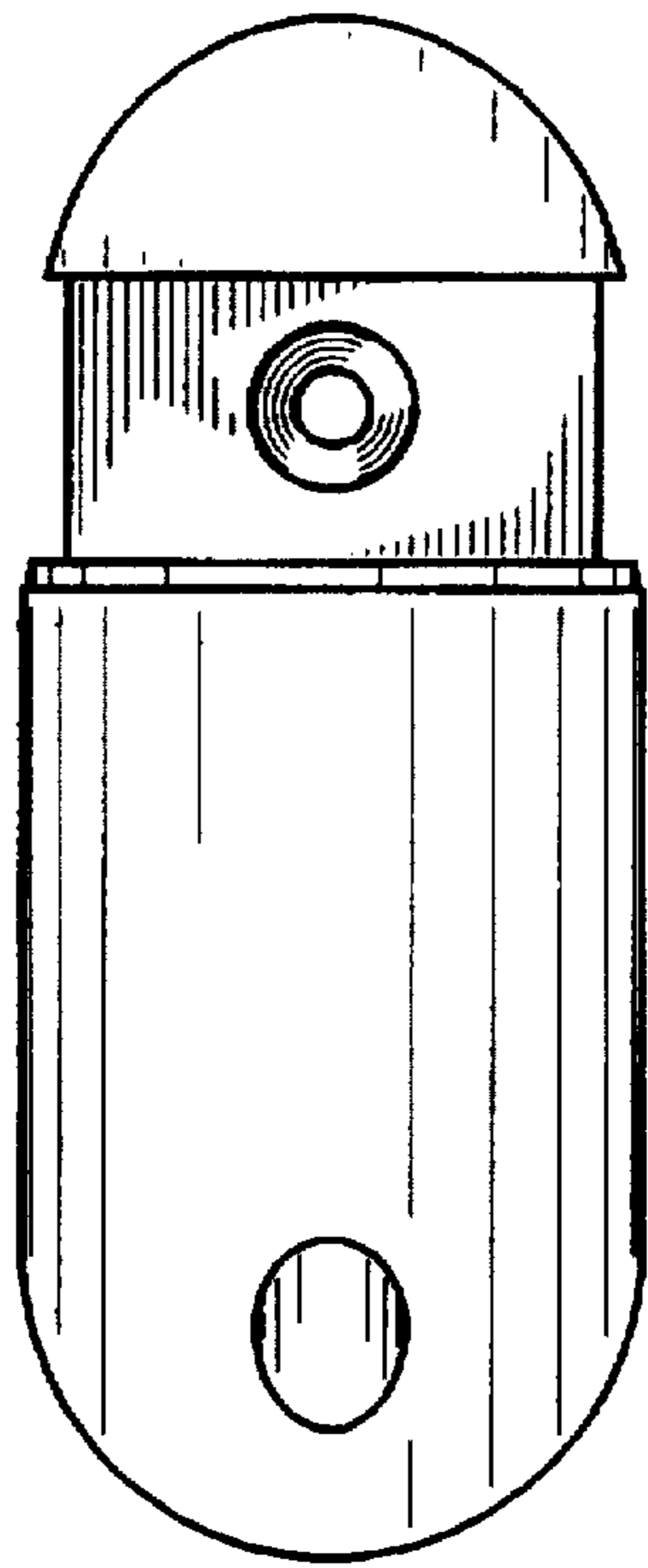


FIG. 1

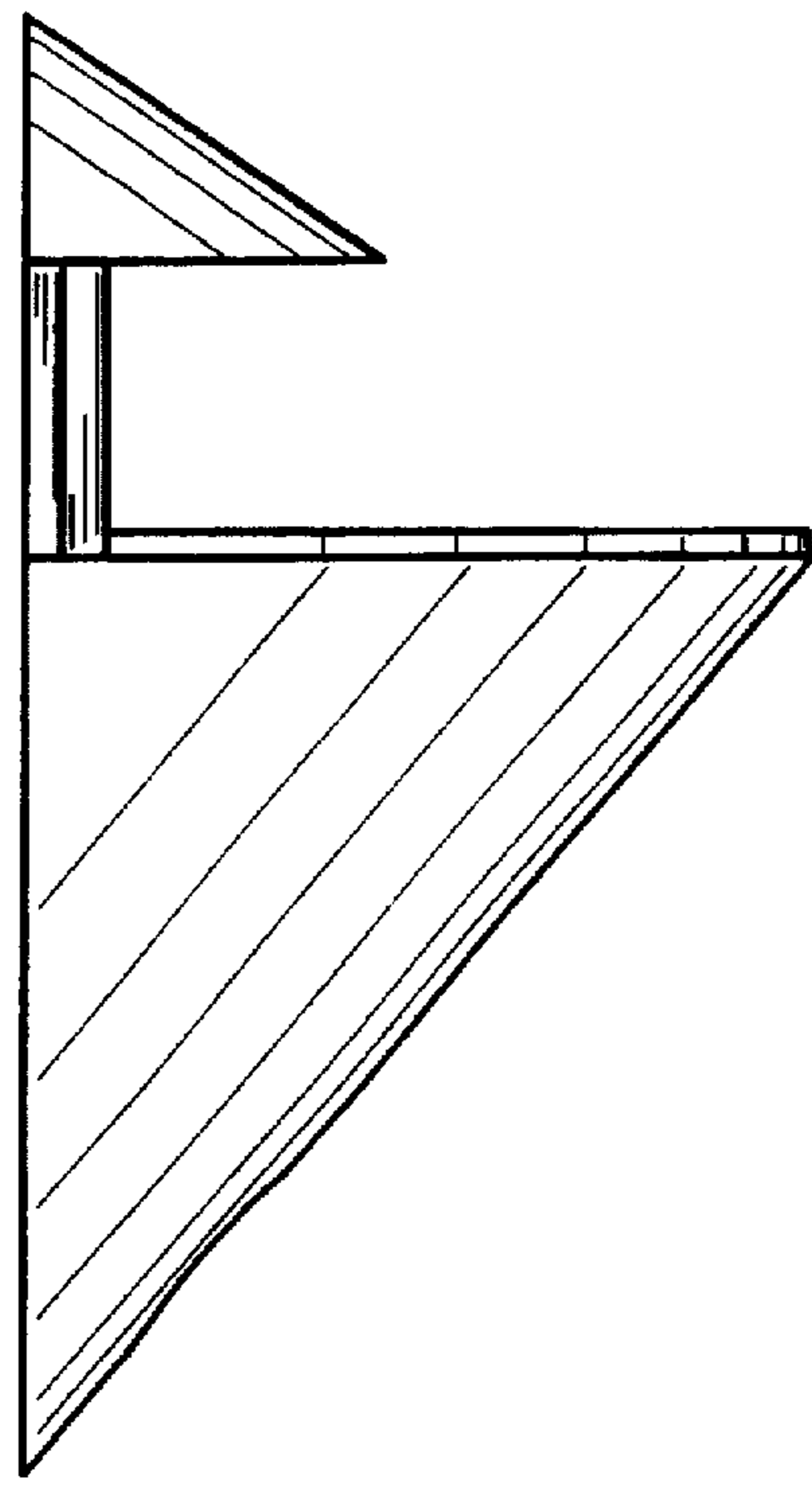


FIG. 2

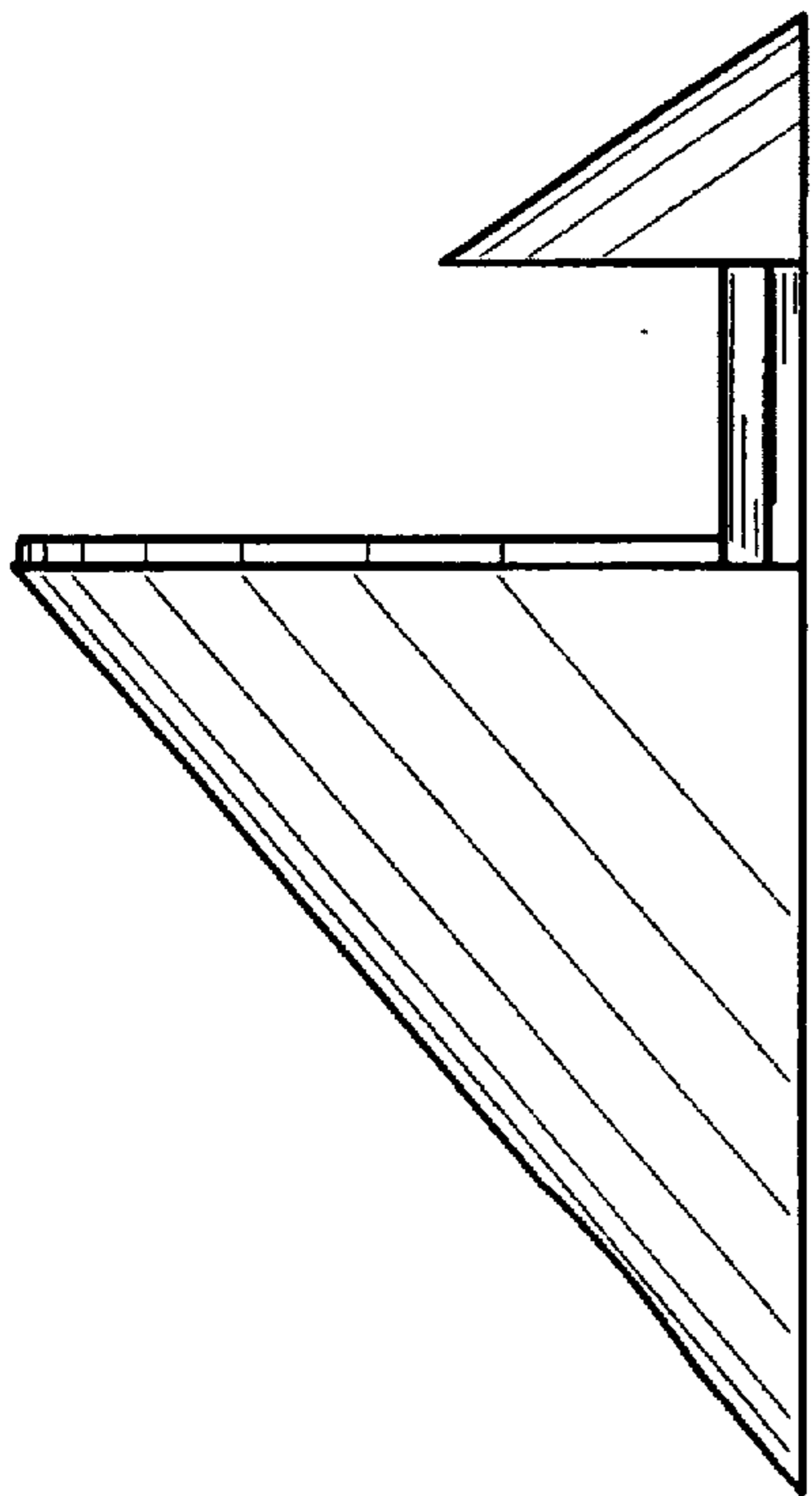


FIG. 3

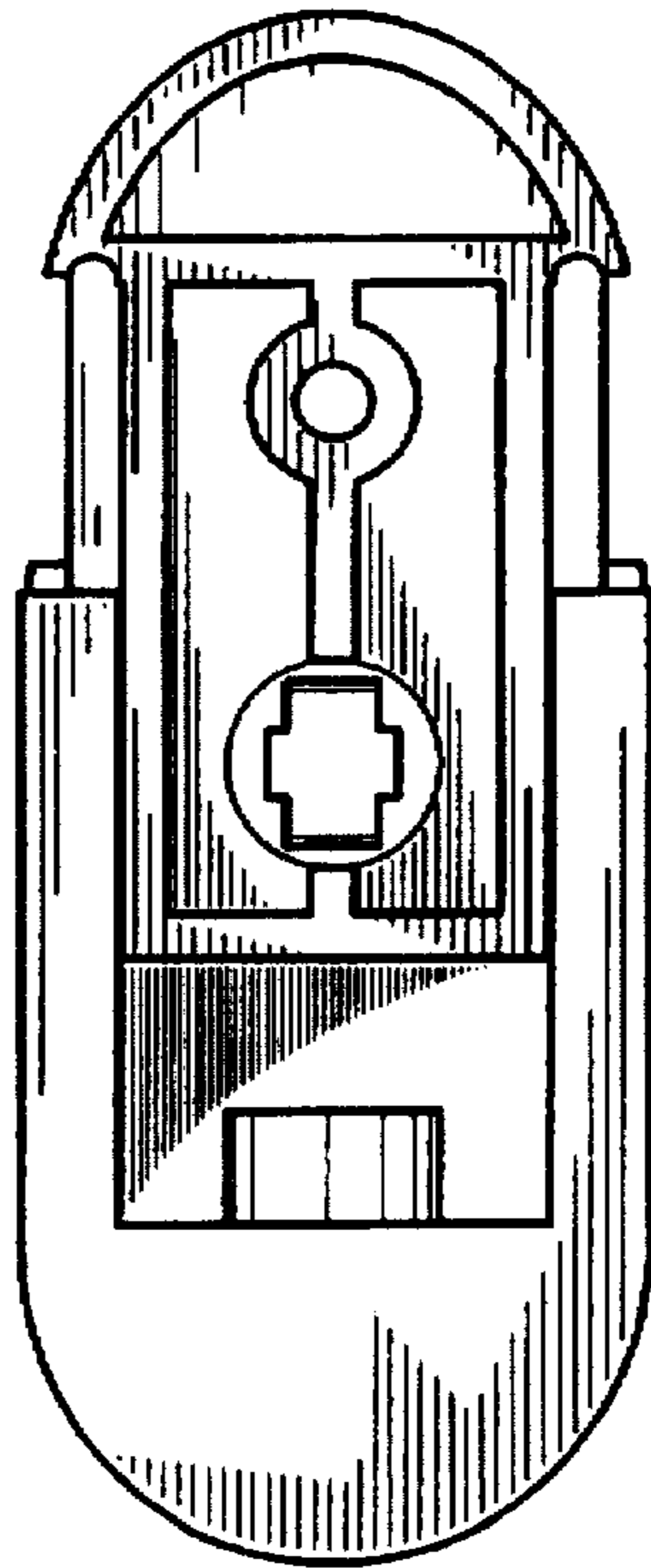


FIG. 4

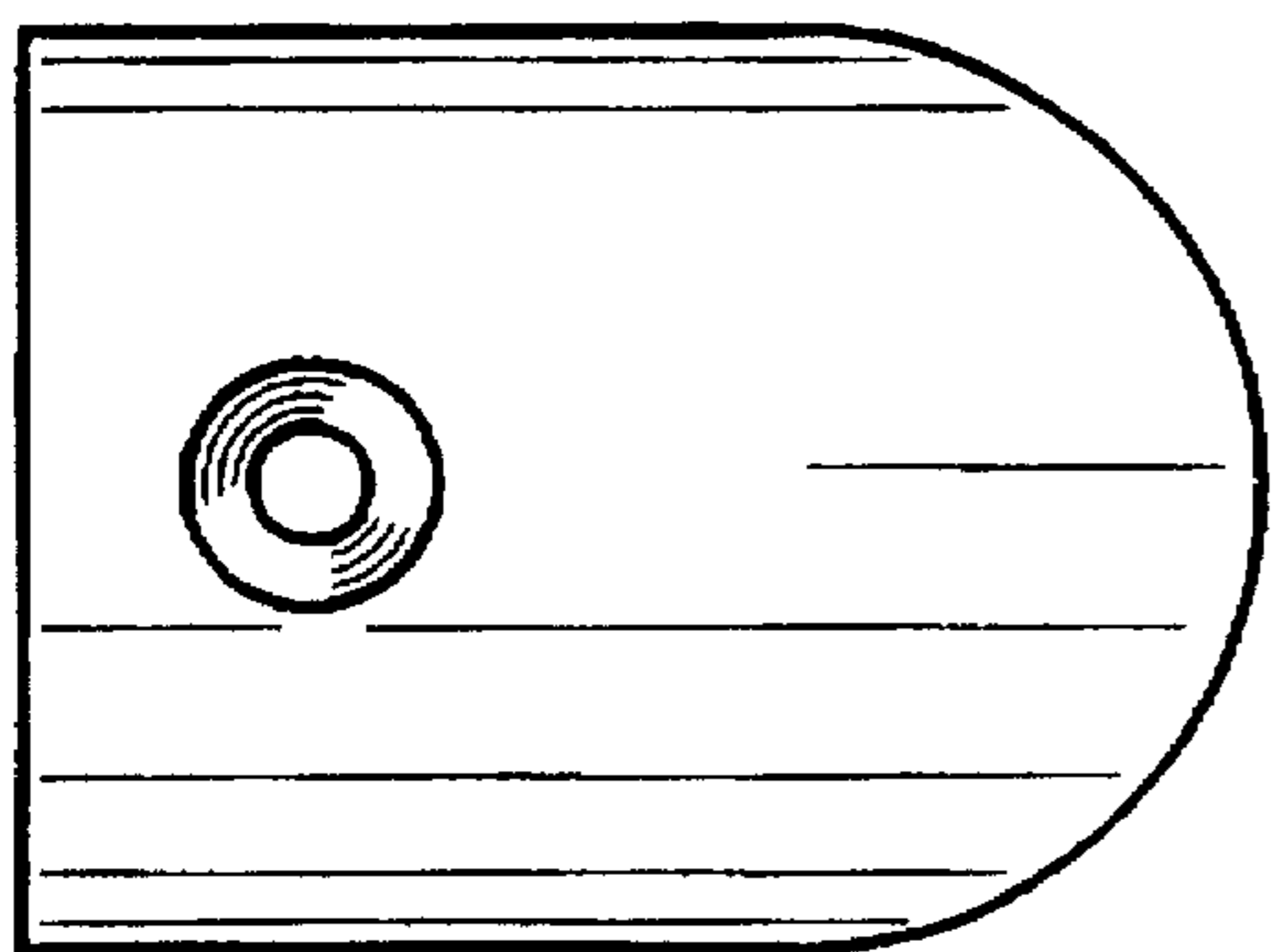


FIG. 5

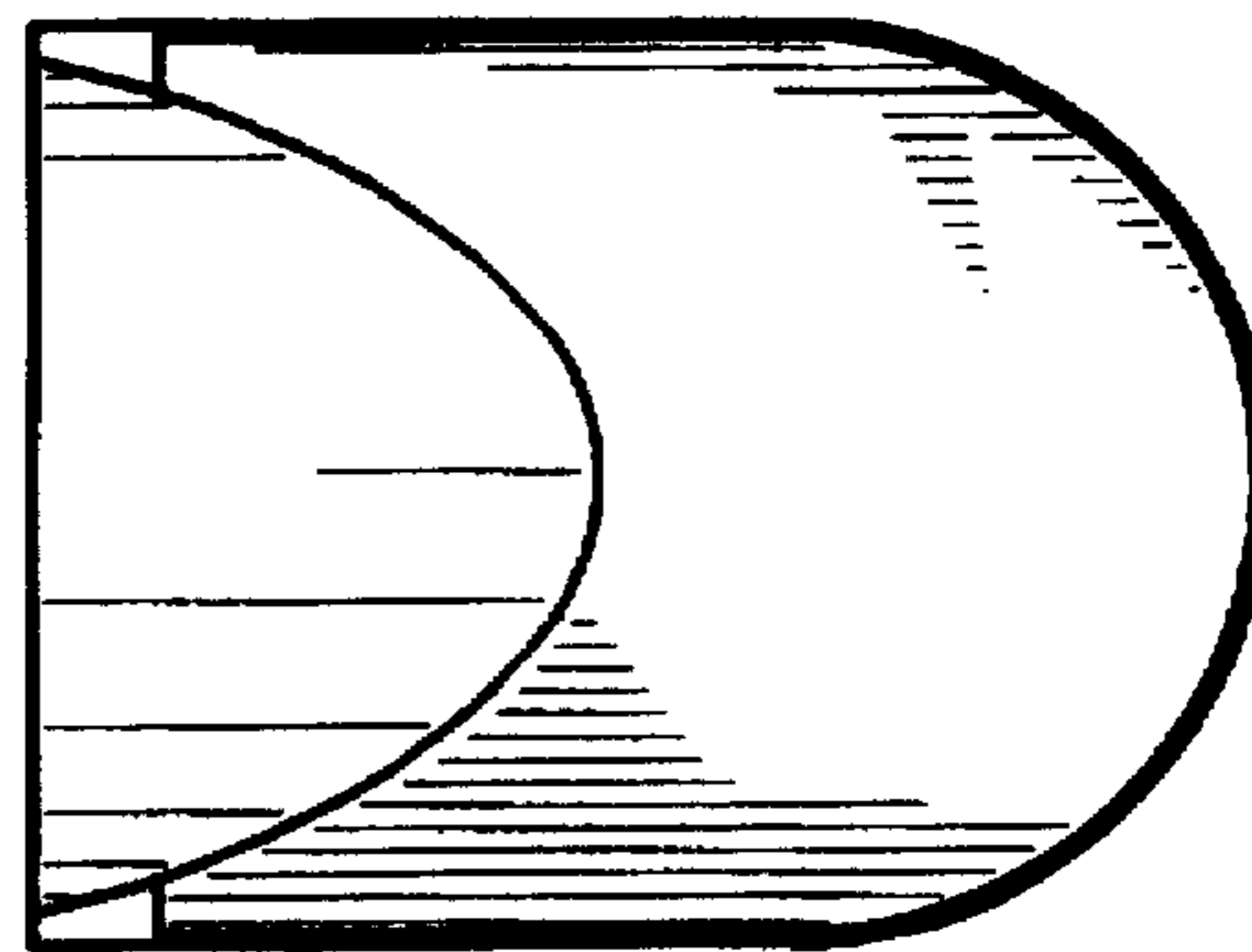


FIG. 6

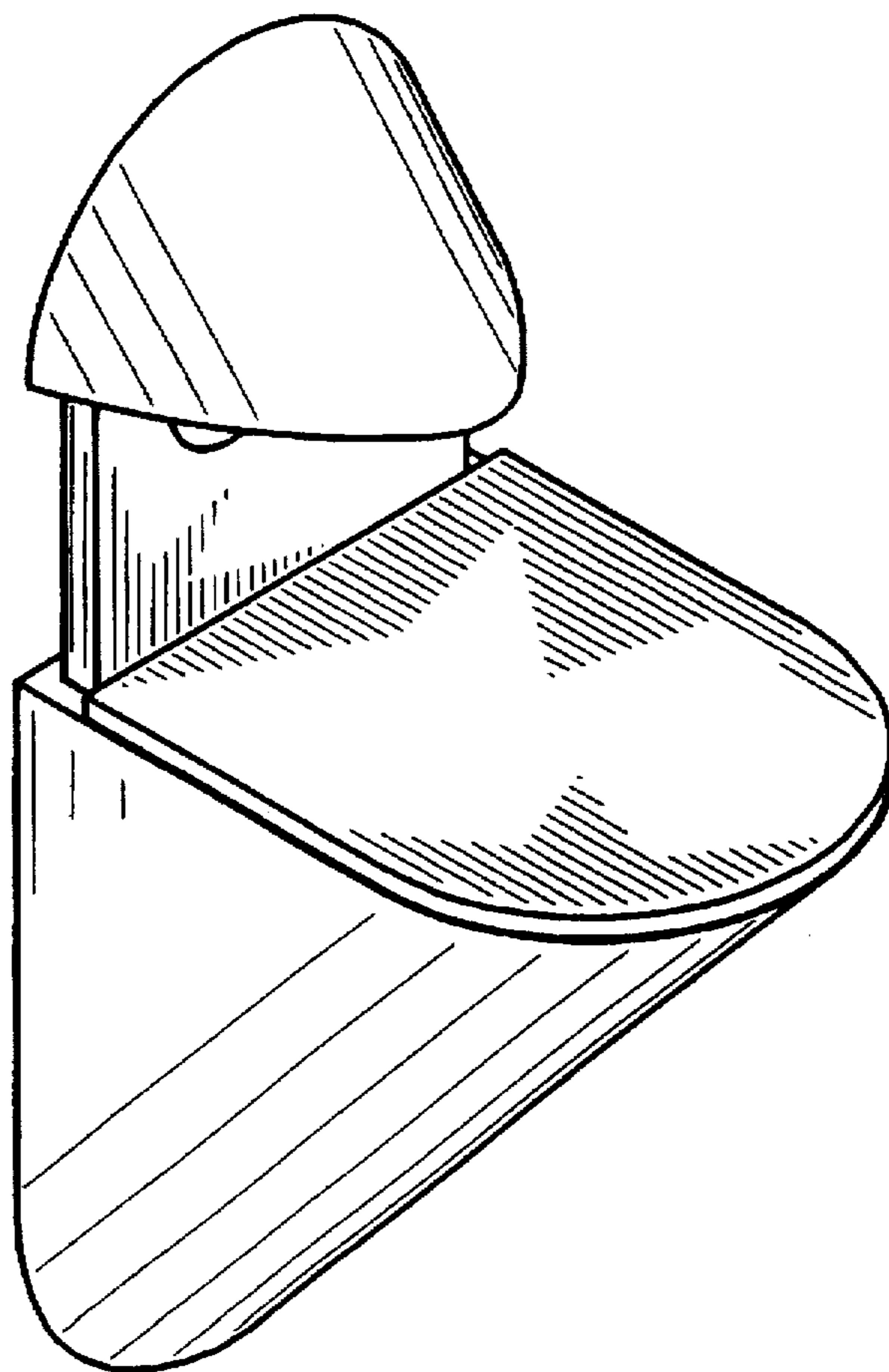


FIG. 7