



US00D388693S

# United States Patent [19]

Luca, Jr. et al.

[11] Patent Number: Des. 388,693

[45] Date of Patent: \*\*Jan. 6, 1998

[54] MULTISIDED SHOWER BAR

3,156,977 11/1964 Logan ..... 29/475  
3,637,084 1/1972 Uitz ..... 211/105.1

[75] Inventors: **Thomas J. Luca, Jr.**, Cranston, R.I.;  
**Daniel W. Hoskin**, Northboro, Mass.

*Primary Examiner*—Holly Baynham  
*Attorney, Agent, or Firm*—Fish & Neave; Richard A. Inz

[73] Assignee: **Kenney Manufacturing Company**,  
Warwick, R.I.

[57] CLAIM

[\*\*] Term: 14 Years

The ornamental design for a multisided shower bar, as shown and described.

[21] Appl. No.: 57,869

DESCRIPTION

[22] Filed: Aug. 2, 1996

[51] LOC (6) Cl. .... 08-05

[52] U.S. Cl. .... D8/376

[58] Field of Search ..... D8/376; 248/260,  
248/261; 160/19, 38-39, 330; D6/579-580

FIG. 1 is a side view, all sides being the same, of a first embodiment of the multisided shower bar showing our new design;

FIG. 2 is an end view thereof, the opposite end being the same, taken along the lines 2—2 of FIG. 1;

FIG. 3 is a cross-section view thereof taken along the lines 3—3 of FIG. 1;

FIG. 4 is a side view, all sides being the same, of a second embodiment of the multisided shower bar showing our new design;

FIG. 5 is an end view thereof, the opposite end being the same, taken along the lines 5—5 of FIG. 4;

FIG. 6 is a cross-section view thereof taken along the lines 6—6 of FIG. 4;

FIG. 7 is a side view, all sides being the same, of a third embodiment of the multisided shower bar showing our new design;

FIG. 8 is an end view thereof, the opposite end being the same, taken along the lines 8—8 of FIG. 7;

FIG. 9 is a cross-section view thereof taken along the lines 9—9 of FIG. 7;

FIG. 10 is a side view, all sides being the same, of a fourth embodiment of the multisided shower bar showing our new design;

FIG. 11 is an end view thereof, the opposite end being the same, taken along the lines 11—11 of FIG. 10;

FIG. 12 is a cross-section view thereof taken along the lines 12—12 of FIG. 10;

FIG. 13 is a side view, all sides being the same, of a fifth embodiment of the multisided shower bar showing our new design;

FIG. 14 is an end view thereof, the opposite end being the same, taken along the lines 14—14 of FIG. 13;

FIG. 15 is a cross-section view thereof taken along the lines 15—15 of FIG. 13;

[56] References Cited

U.S. PATENT DOCUMENTS

D. 5,178	8/1871	Gould .	
D. 11,190	5/1879	Krickl .	
Re. 21,143	7/1939	Davis .....	211/86
D. 22,078	12/1892	Hussey .	
D. 22,185	1/1893	Harsha .	
D. 22,187	1/1893	Harsha .	
D. 22,250	2/1893	Harsha .	
D. 22,271	3/1893	Ruxton .	
D. 57,201	3/1921	Bielecka .	
D. 71,939	2/1927	Crawford .	
D. 72,258	3/1927	Hofmann .	
D. 74,422	2/1928	Frolking .	
D. 78,086	3/1929	Boye .	
D. 79,769	10/1929	Whincap .	
D. 79,770	10/1929	Whincap .	
D. 80,184	12/1929	Norberg .	
D. 203,392	1/1966	Dahlhaus et al. .	
D. 206,003	10/1966	Graber et al. .	
D. 220,937	6/1971	Unitz .	
D. 230,702	3/1974	Jetter .	
D. 230,948	3/1974	Moon .	
D. 230,949	3/1974	Levine .	
D. 260,074	8/1981	Lewis .....	D8/376
D. 331,872	12/1992	Maruko .....	D8/376
643,142	2/1900	Lacy .....	160/330
1,270,634	6/1918	Lowe et al. .	
1,769,326	7/1930	Weis .	

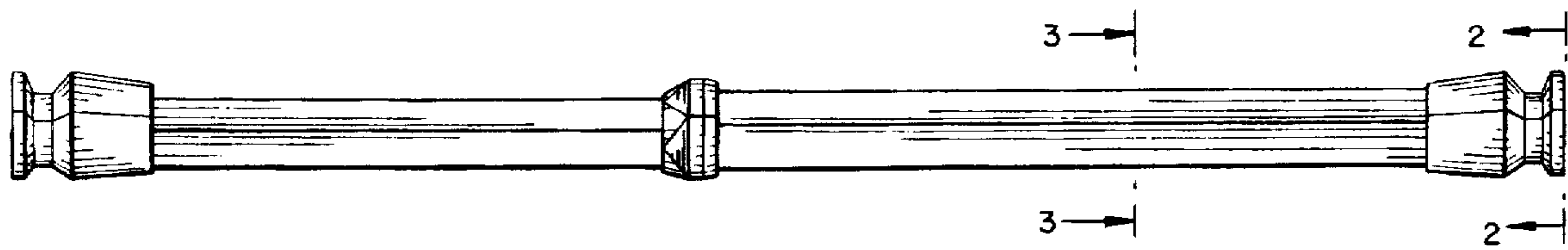


FIG. 16 is a side view, all sides being the same, of a sixth embodiment of the multisided shower bar showing our new design;

FIG. 17 is an end view thereof, the opposite end being the same, taken along the lines 17—17 of FIG. 16;

FIG. 18 is a cross-section view thereof taken along the lines 18—18 of FIG. 16;

FIG. 19 is a side view, all sides being the same, of a seventh embodiment of the multisided shower bar showing our new design;

FIG. 20 is an end view thereof, the opposite end being the same, taken along the lines 20—20 of FIG. 19;

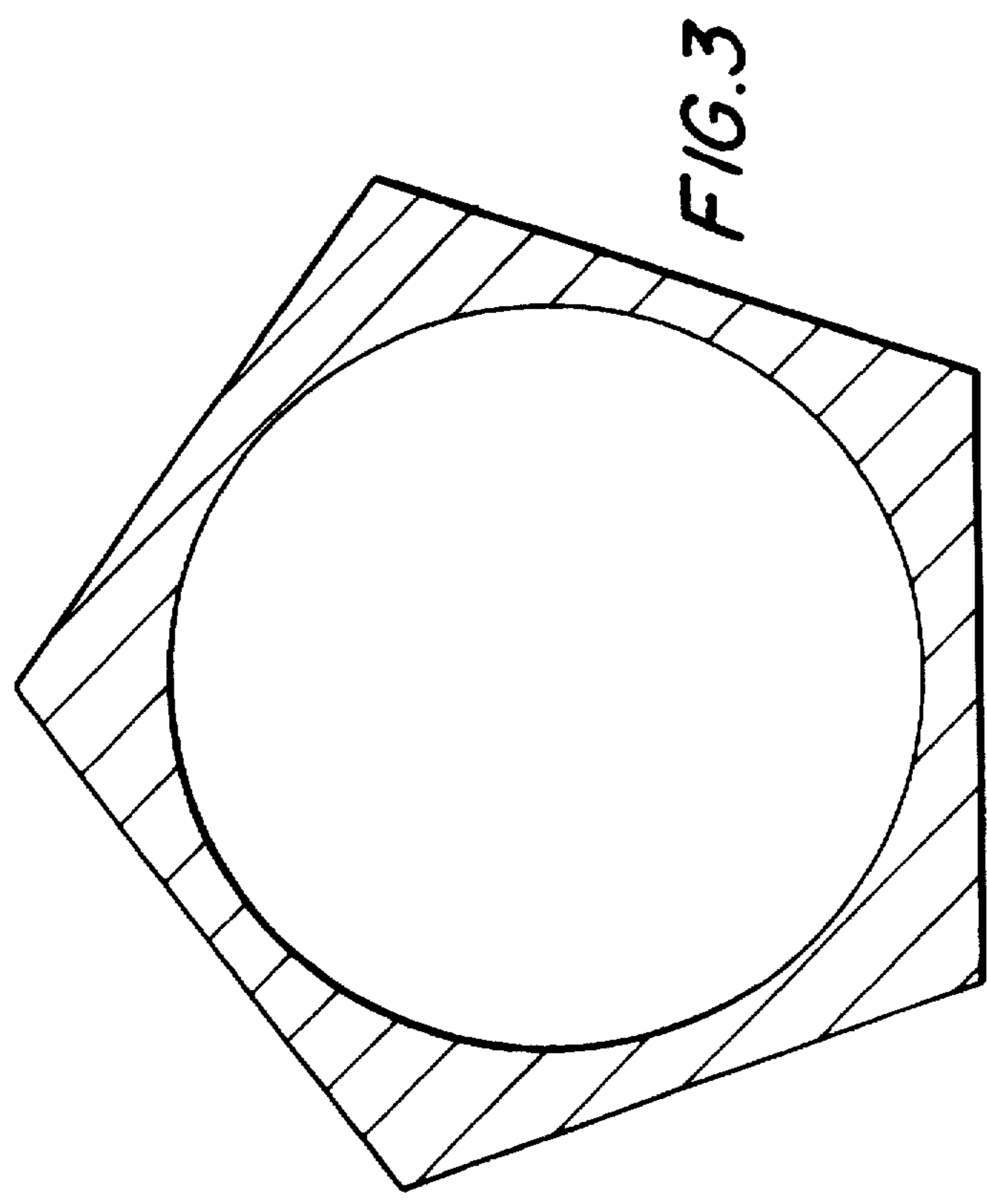
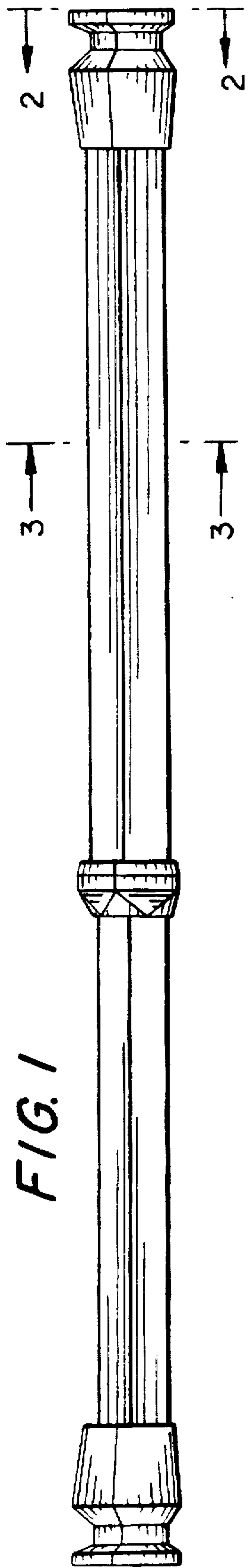
FIG. 21 is a cross-section view thereof taken along the lines 21—21 of FIG. 19;

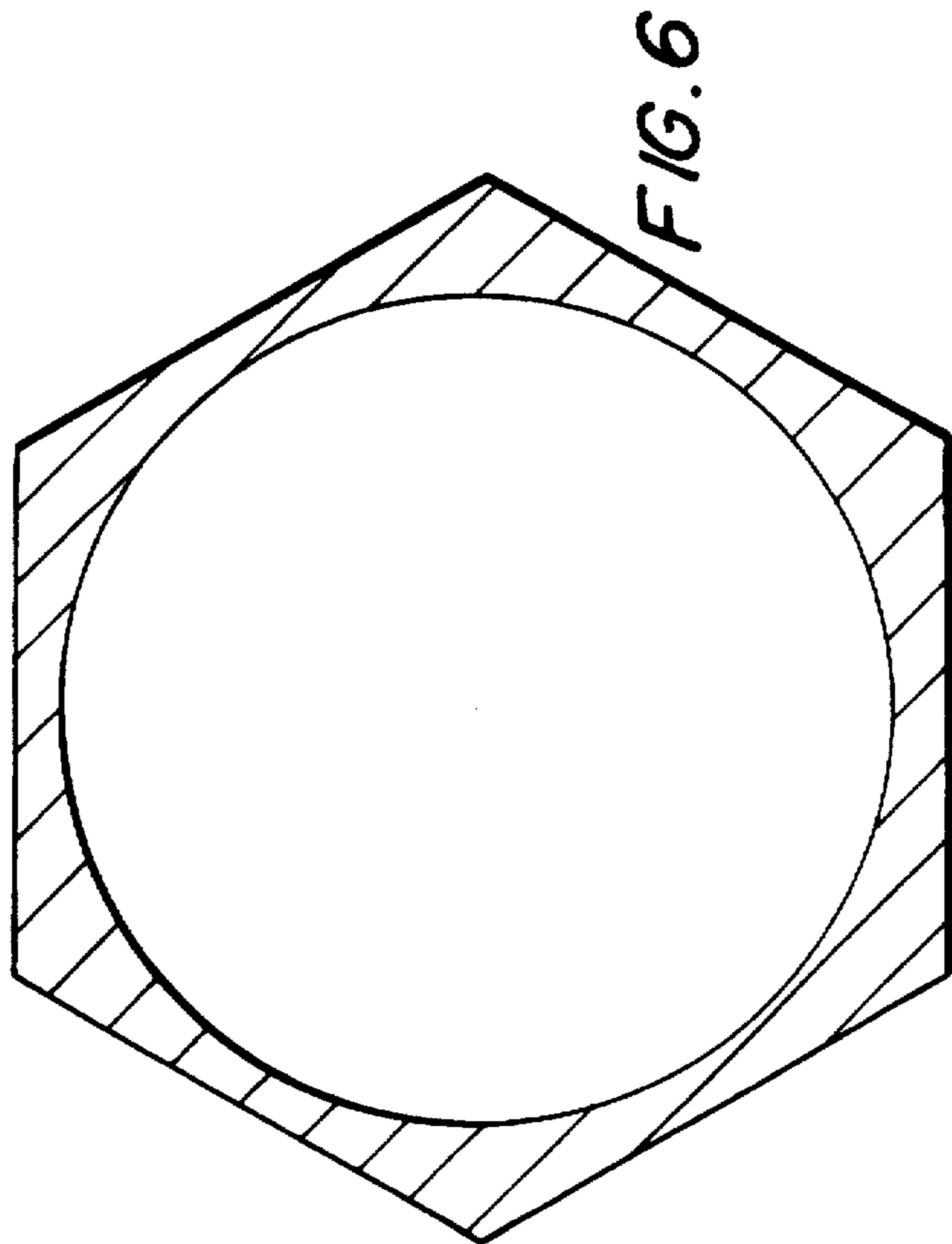
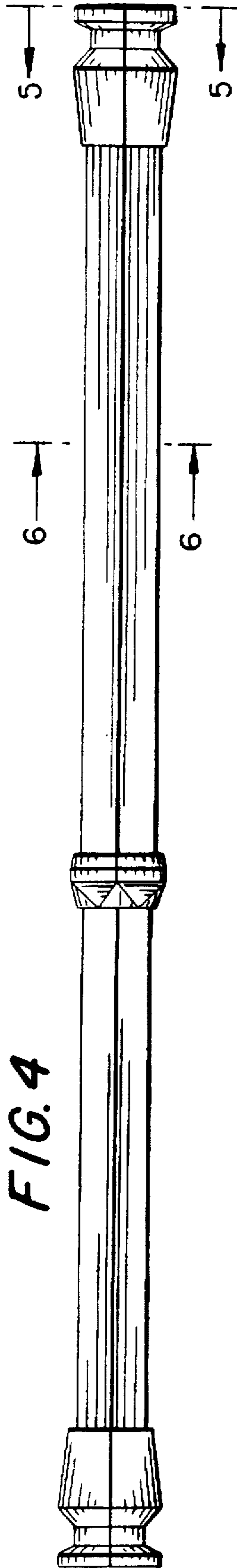
FIG. 22 is a side view, all sides being the same, of an eighth embodiment of the multisided shower bar showing our new design;

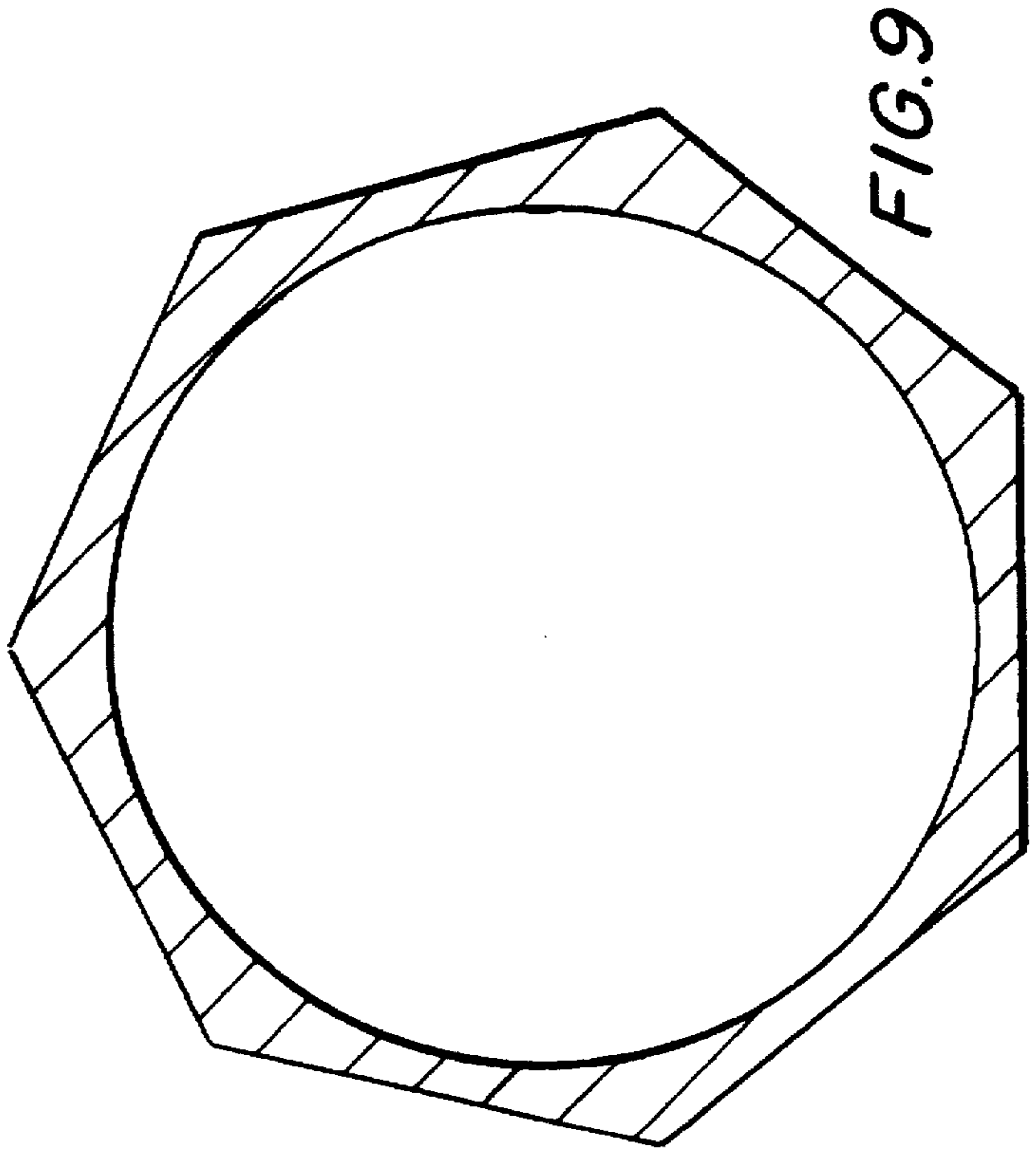
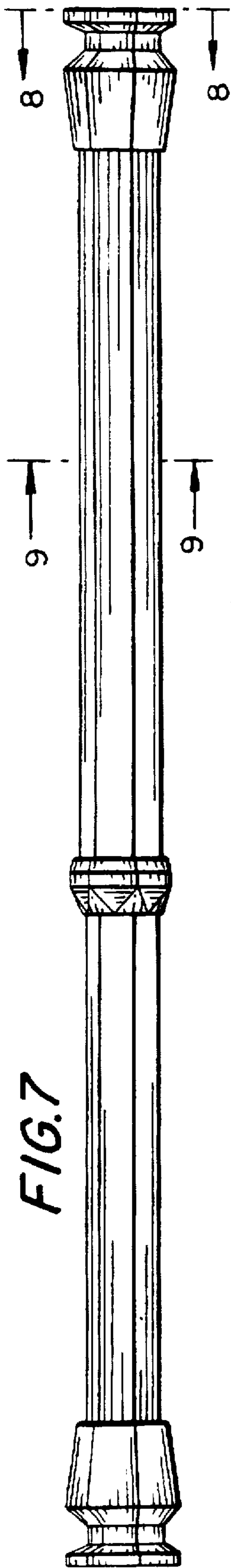
FIG. 23 is an end view thereof, the opposite end being the same, taken along the lines 23—23 of FIG. 22; and,

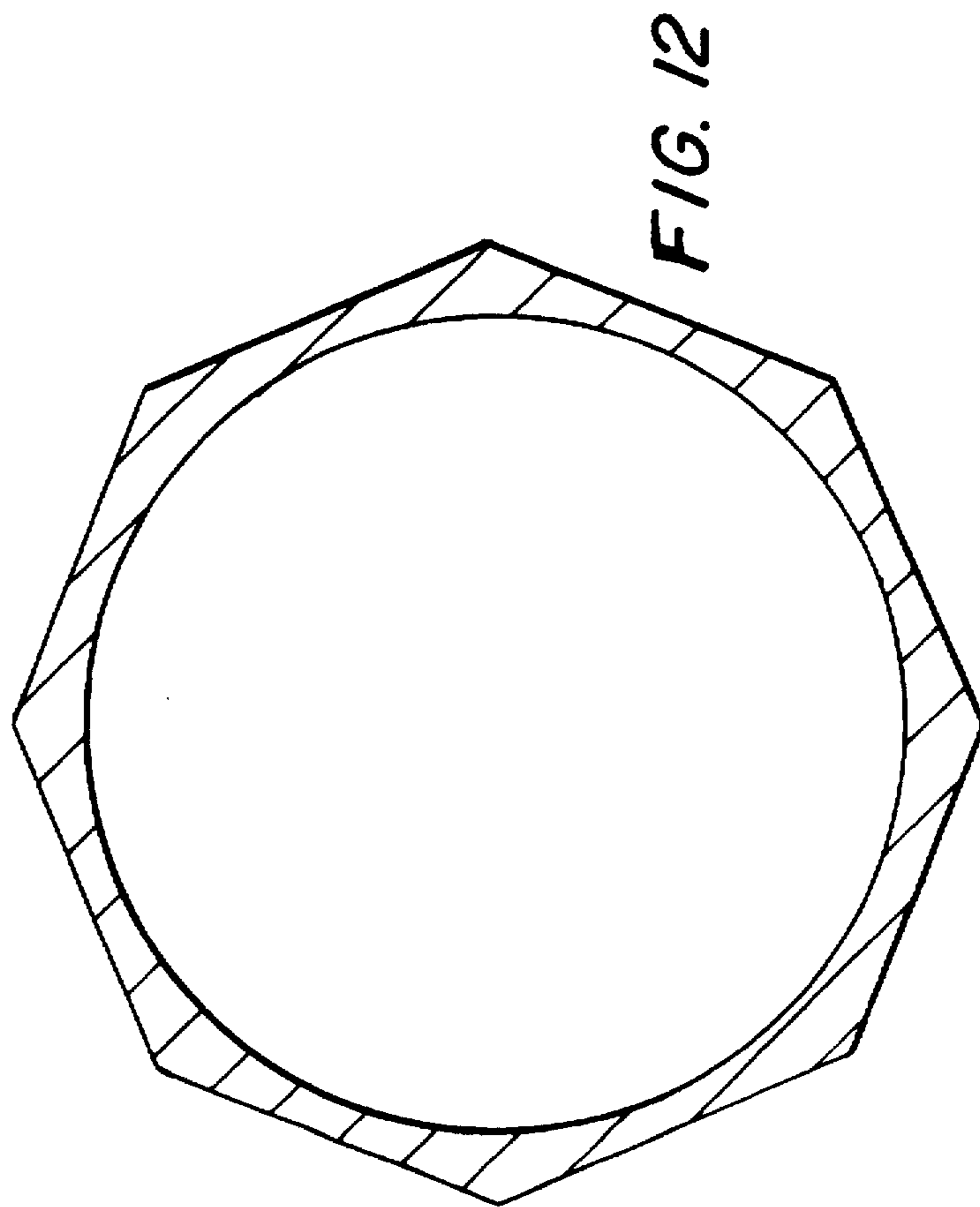
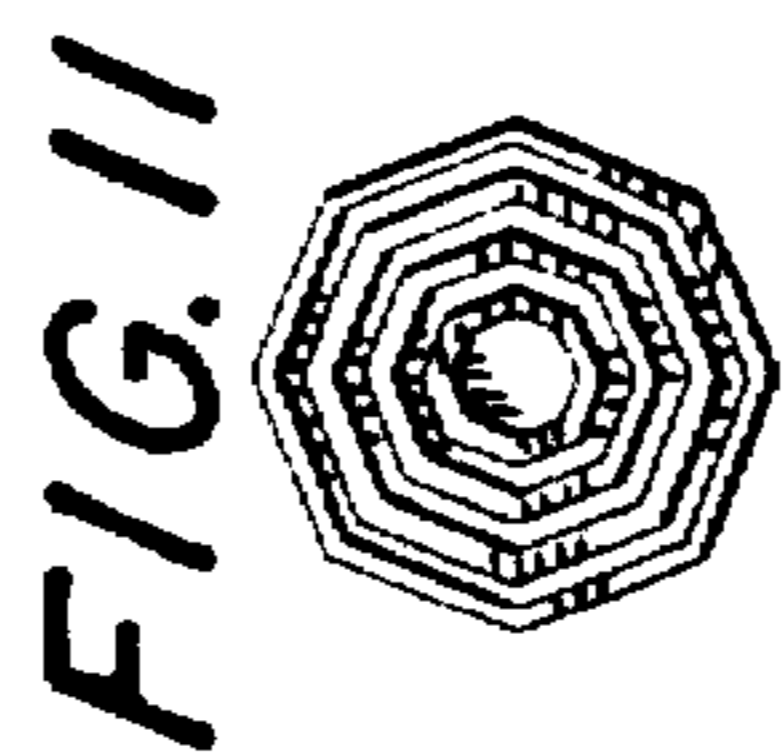
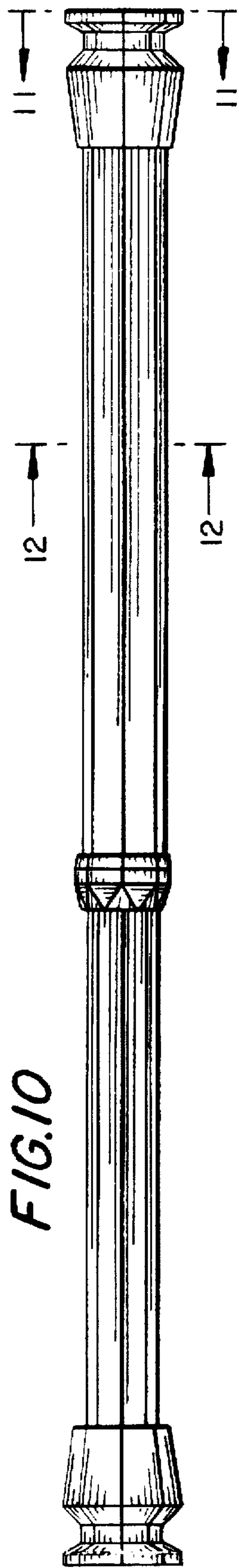
FIG. 24 is a cross-section view thereof taken along the lines 24—24 of FIG. 22.

**1 Claim, 8 Drawing Sheets**









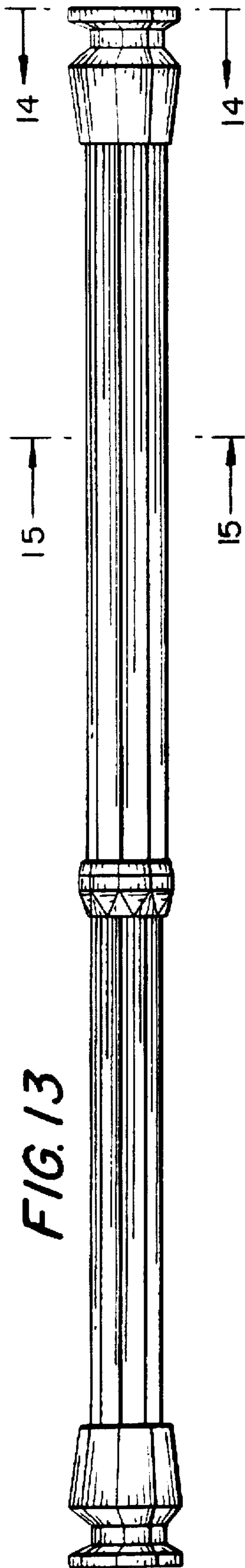


FIG. 14



FIG. 15

