



US00D388692S

United States Patent [19]
Anderson

[11] **Patent Number:** **Des. 388,692**
[45] **Date of Patent:** ****Jan. 6, 1998**

[54] **TAPE SPOOL**

[76] **Inventor:** **Merlin L. Anderson, 3672 Shaw Ct.,
Ferndale, Wash. 98248**

[**] **Term:** **14 Years**

[21] **Appl. No.:** **55,263**

[22] **Filed:** **Jun. 3, 1996**

[51] **LOC (6) Cl.** **08-05**

[52] **U.S. Cl.** **D8/358**

[58] **Field of Search** **D8/358, 359; D3/24;
242/395, 405.3, 128-129**

[56] **References Cited**

U.S. PATENT DOCUMENTS

D. 300,405	3/1989	Kuntze et al.	D8/358
D. 314,910	2/1991	VanSkiver	D8/358 X
D. 331,093	11/1992	Kelly, Sr.	D8/358 X
911,535	2/1909	Bailey	242/395 X
4,553,715	11/1985	Roselli	242/395 X
4,821,976	4/1989	Nakashima	242/405.3 X

Primary Examiner—Holly Baynham
Attorney, Agent, or Firm—Todd N. Hathaway

[57] **CLAIM**

The ornamental design for a tape spool, as shown and described.

DESCRIPTION

FIG. 1 is a perspective view of a tape spool showing my new design;

FIG. 2 is a top plan view thereof;

FIG. 3 is a front elevational view with the rear view being identical thereto and the roll of tape shown being for illustrative purposes only and forming no part of the claimed design;

FIG. 4 is an elevational view of a first side thereof, the opposite side elevational view being identical thereto; and,

FIG. 5 is a bottom plan view thereof.

1 Claim, 1 Drawing Sheet

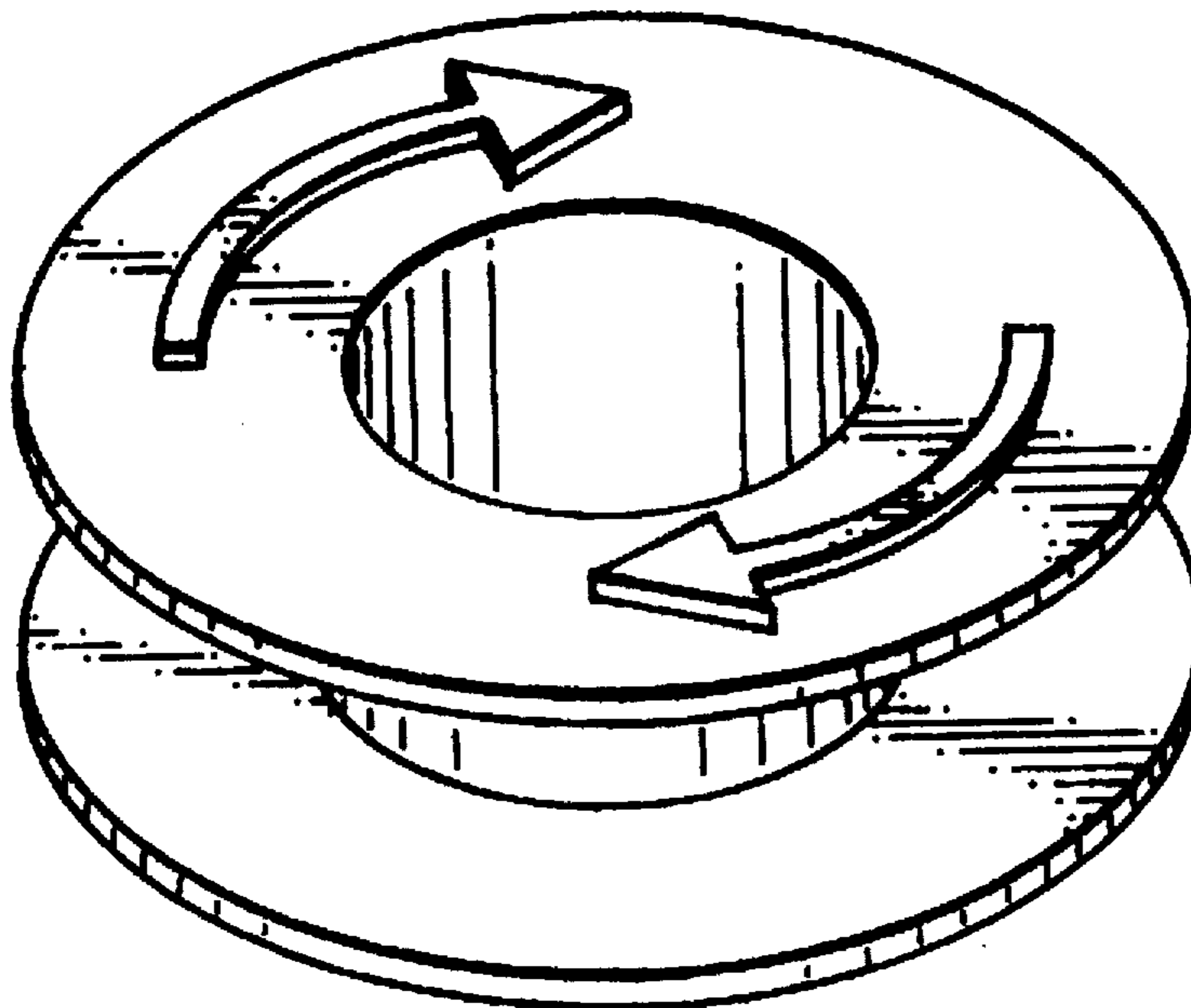


FIG. 1

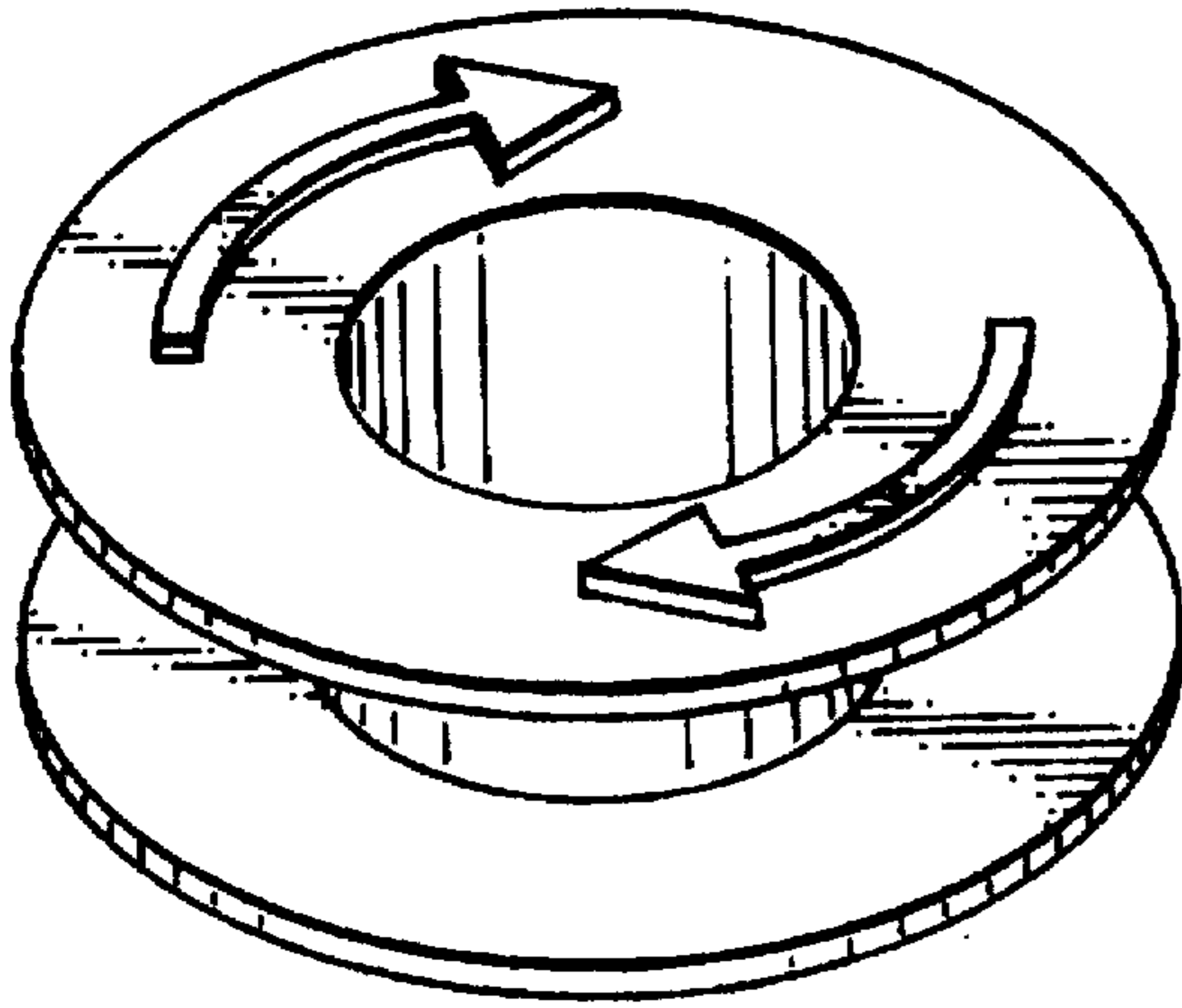


FIG. 2

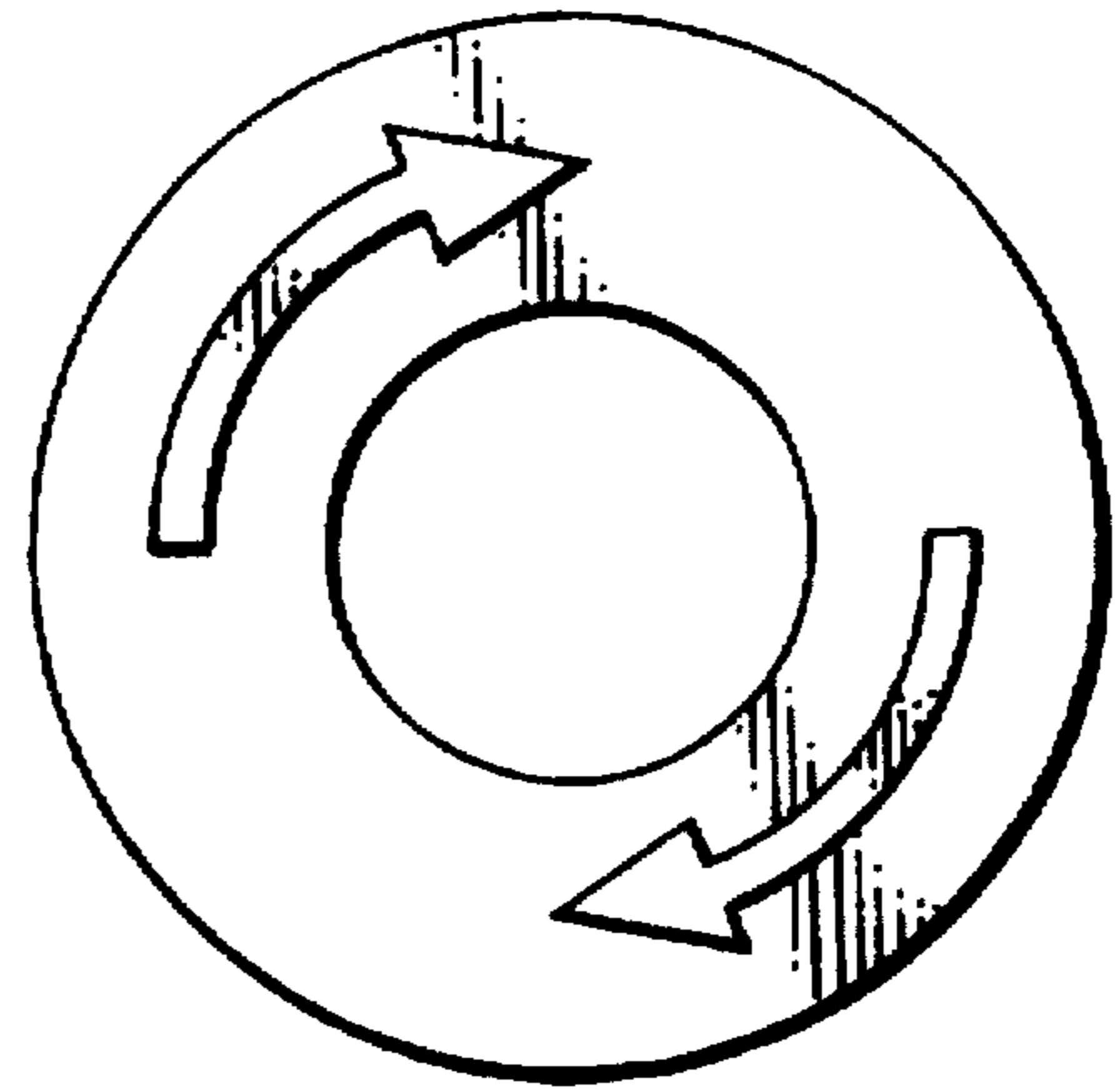


FIG. 3

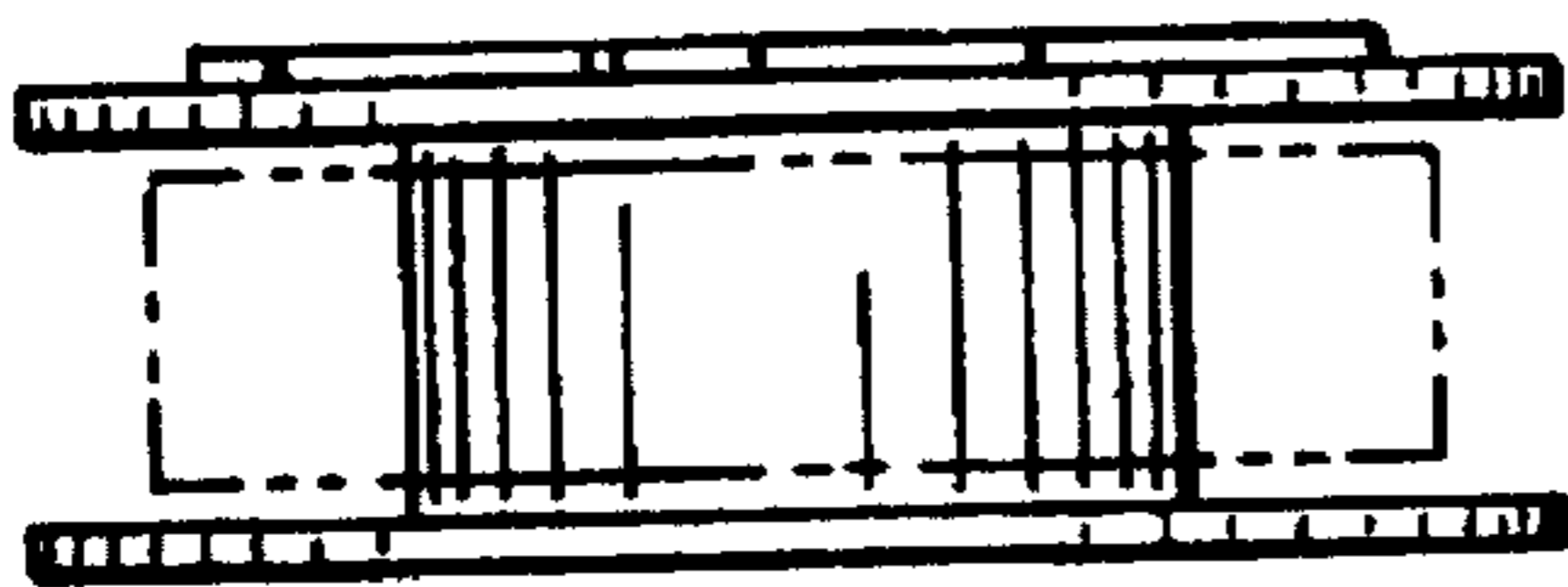


FIG. 4

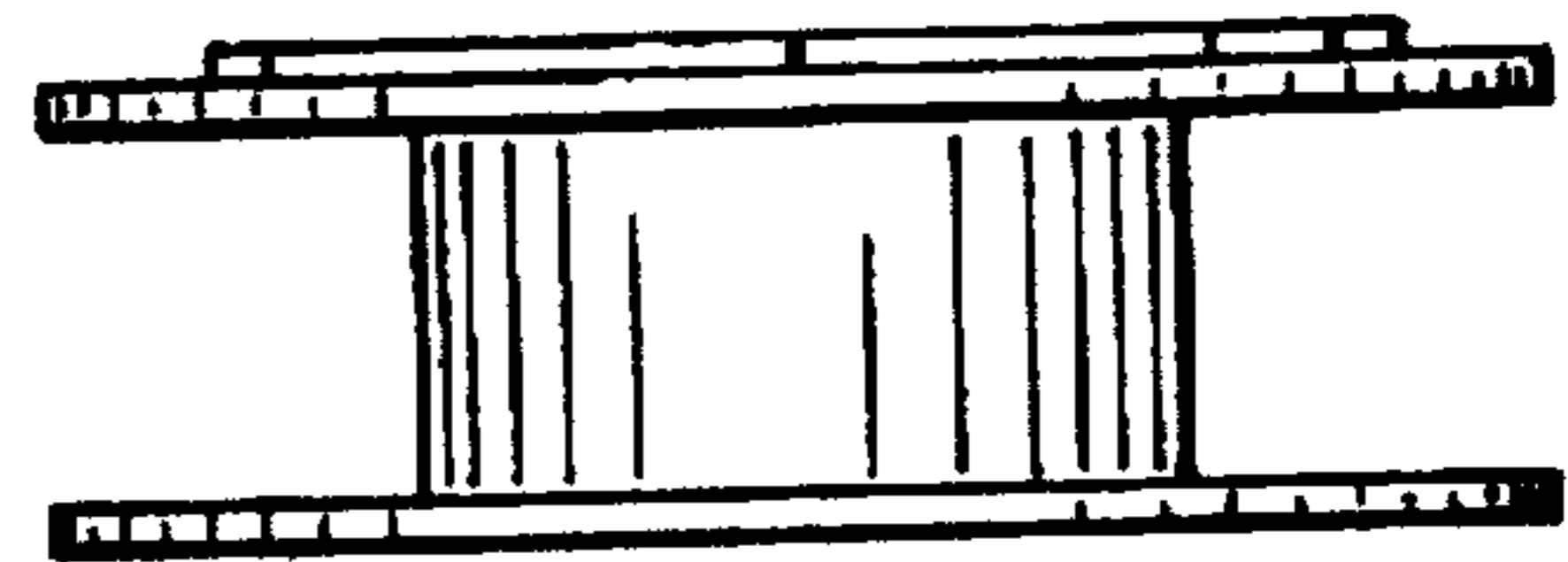


FIG. 5

