



US00D388690S

United States Patent [19]

[11] **Patent Number: Des. 388,690**

Ziemer et al.

[45] **Date of Patent: **Jan. 6, 1998**

[54] **WING**

OTHER PUBLICATIONS

[75] **Inventors: Lynn B. Ziemer, Ridley Park, Pa.; John Csapo, Avon, N.Y.**

Penn Fabrication Hardware, 6th Edition 1991/1992 (Penn Fabrication Ltd, United Kingdom), pp. 1-3, 5-6 and 7. Drawing (Southco, Inc., Pennsylvania), one page. "Design News" 23 Jan. 1963 Link-Lock advertisement, Jan. 1963.

[73] **Assignee: Southco, Inc., Concordville, Pa.**

Primary Examiner—Brian N. Vinson
Attorney, Agent, or Firm—Paul & Paul

[**] **Term: 14 Years**

[21] **Appl. No.: 49,864**

[57] **CLAIM**

[22] **Filed: Feb. 1, 1996**

The ornamental design for a wing, as shown and described.

[51] **LOC (6) Cl. 08-07**

DESCRIPTION

[52] **U.S. Cl. D8/343**

[58] **Field of Search D8/330-331, 336, D8/338, 343, 345, 398; 292/111, 112, 113, 114, DIG. 31**

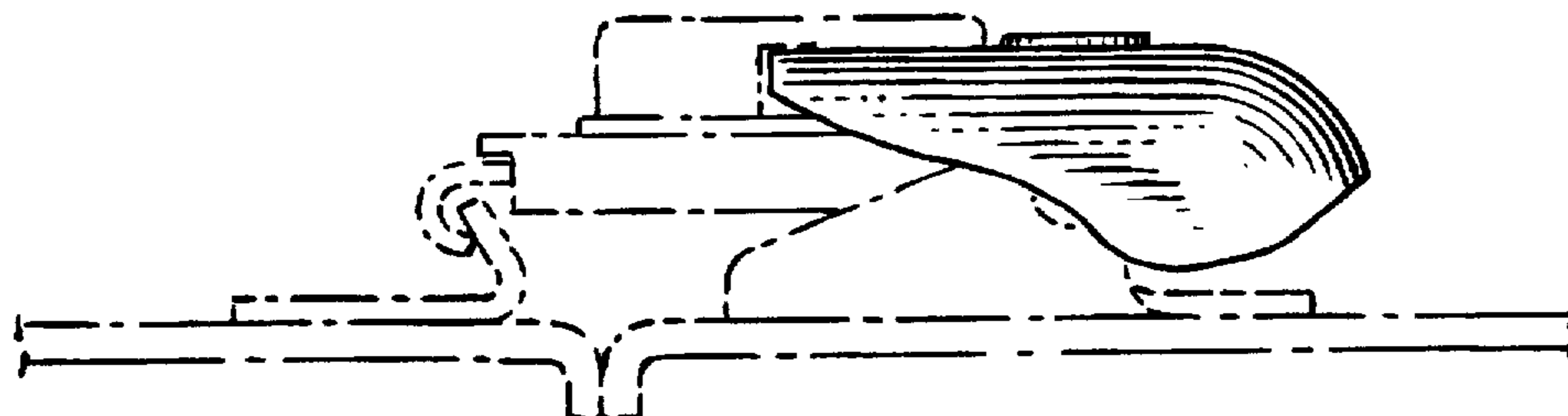
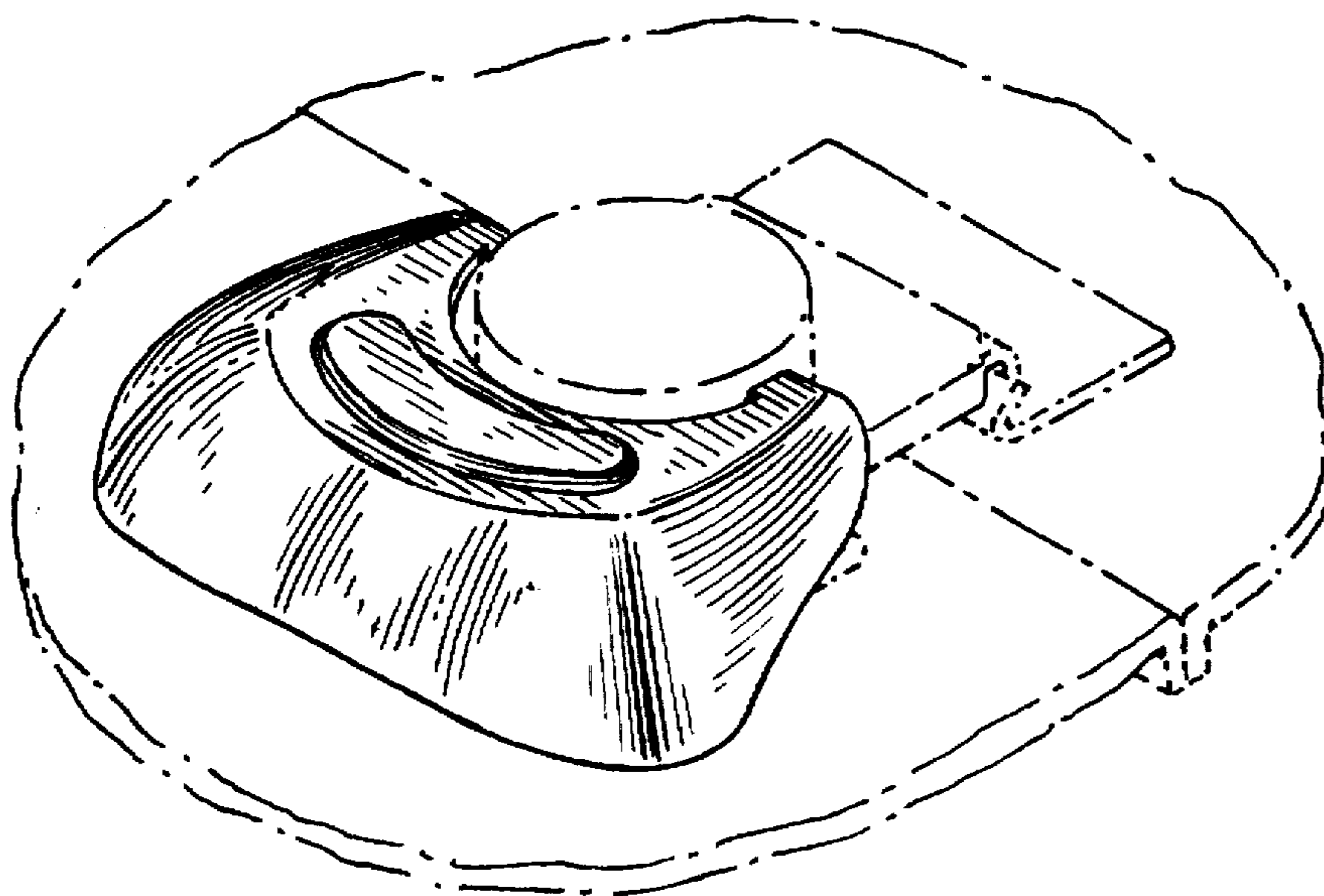
FIG. 1 is a perspective view of a wing embodying our design;
FIG. 2 is a top plan view thereof;
FIG. 3 is a left side elevational view thereof, the right side being a mirror image of that shown;
FIG. 4 is a rear elevational view thereof; and,
FIG. 5 is a front elevational view thereof.
The broken-line disclosure of a portion of a surface and latch in the views are for illustrative purposes only and forms no part of the claimed design.

[56] **References Cited**

U.S. PATENT DOCUMENTS

D. 317,705	6/1991	Tinz	D8/398 X
2,820,995	1/1958	Schlueter	.	
2,853,751	9/1958	Schlueter	.	
2,853,752	9/1958	Schlueter	.	
4,090,727	5/1978	Busch et al.	291/111
4,746,151	5/1988	Hoen et al.	.	

1 Claim, 2 Drawing Sheets



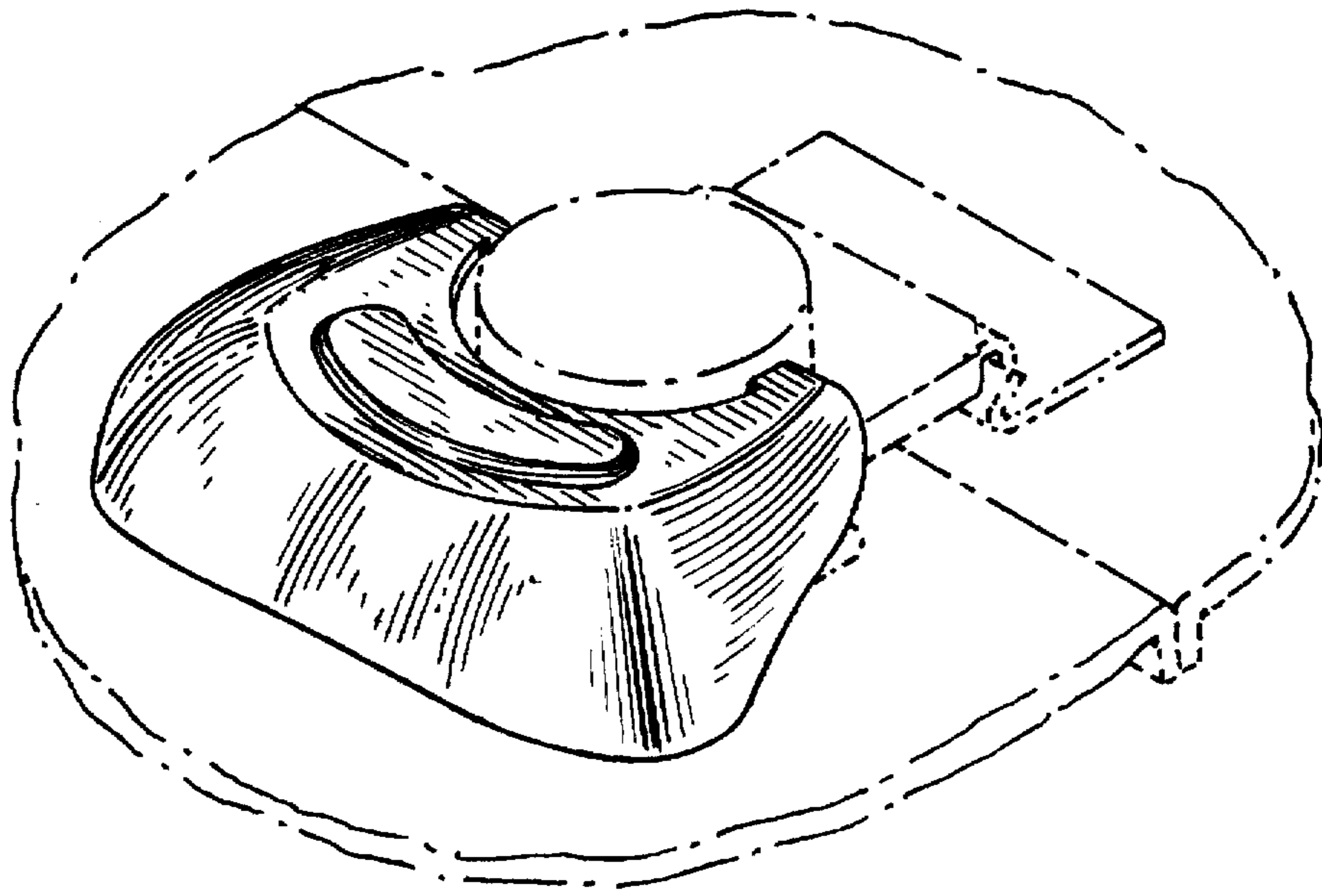


Fig. 1

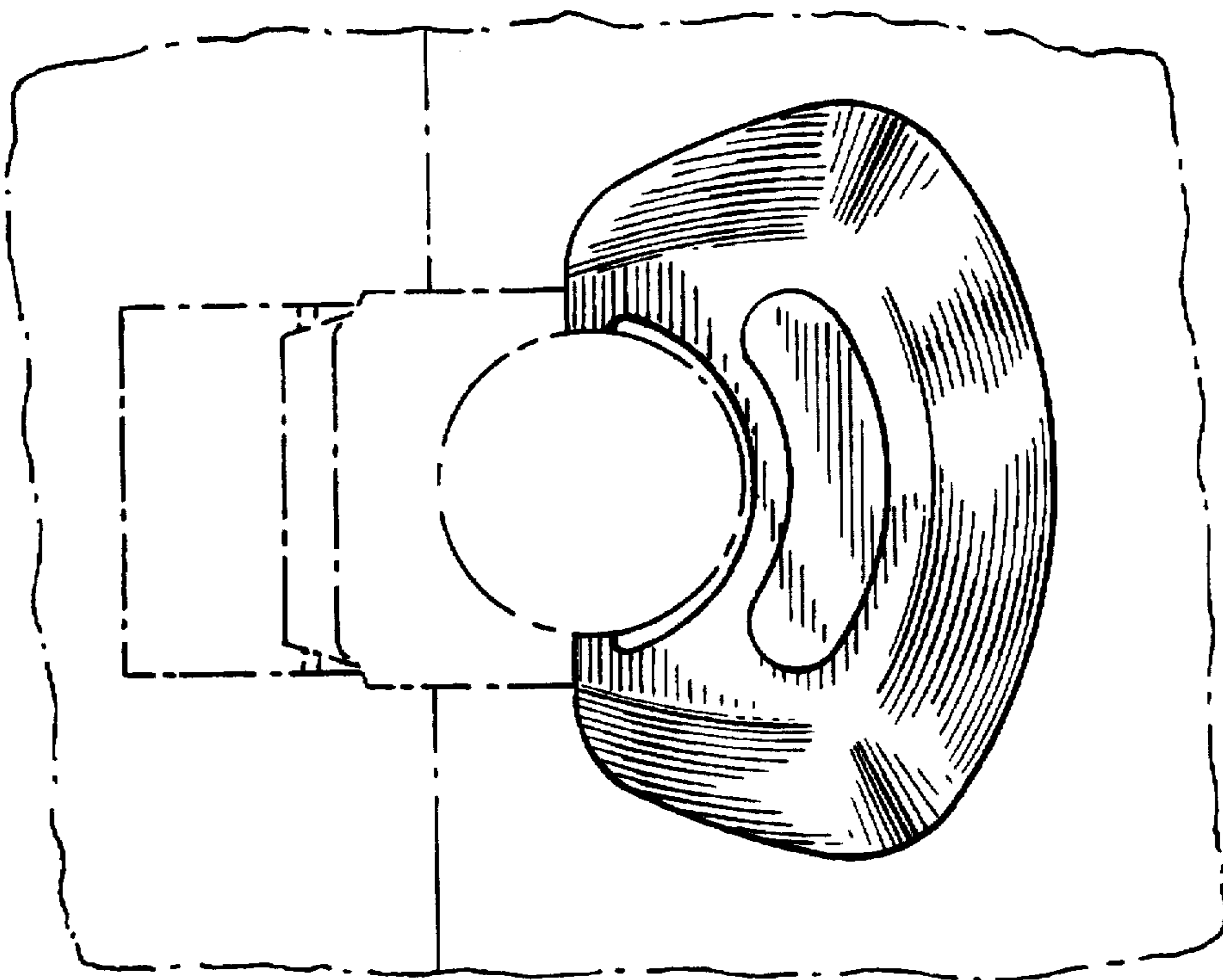


Fig. 2

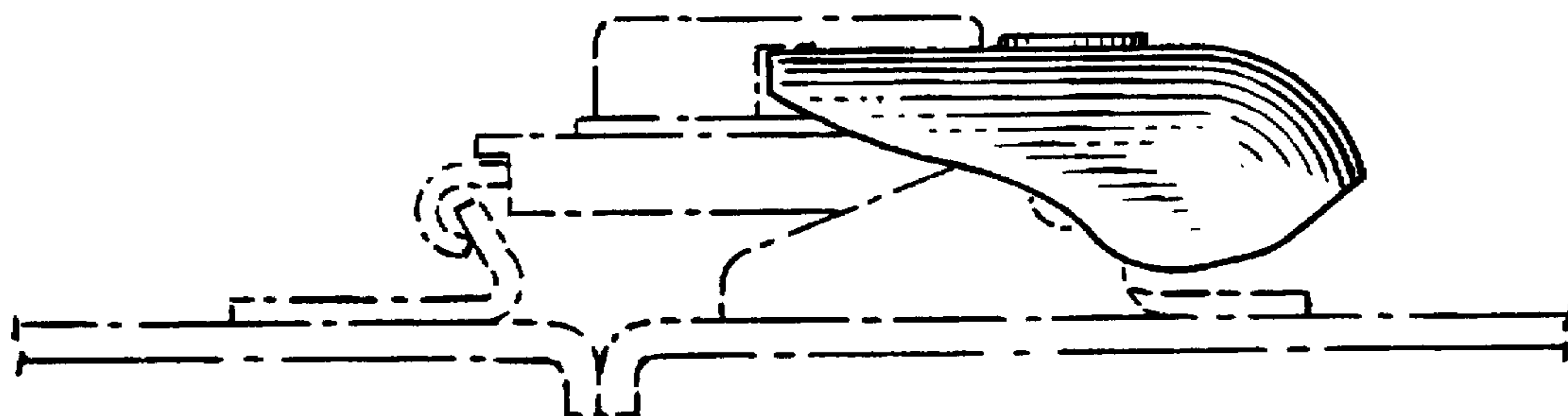


Fig. 3

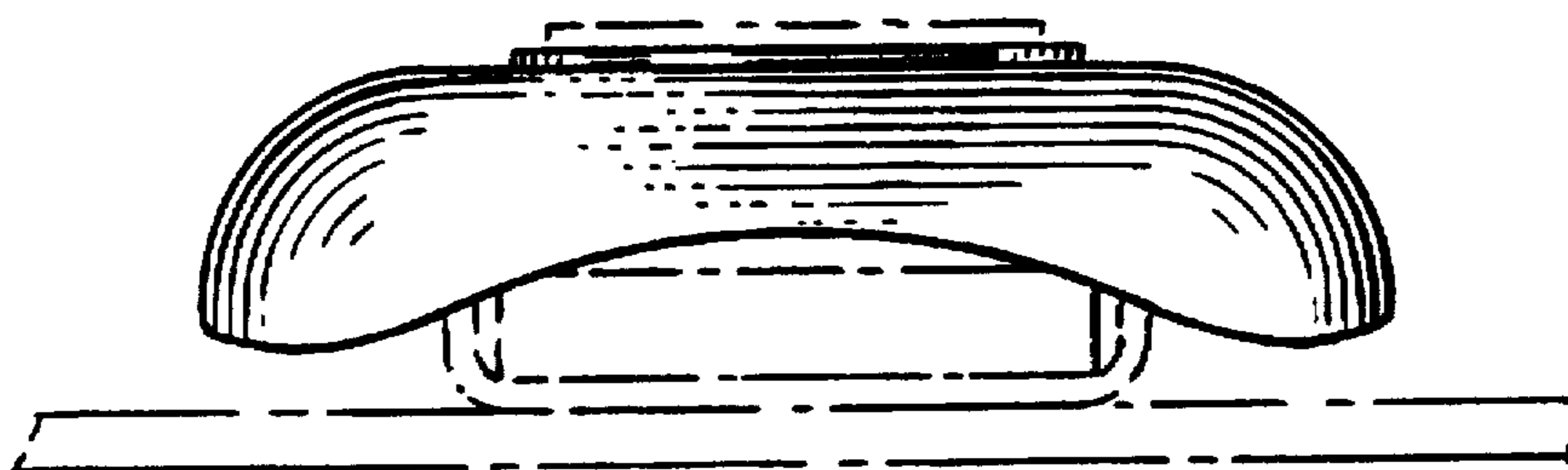


Fig. 4

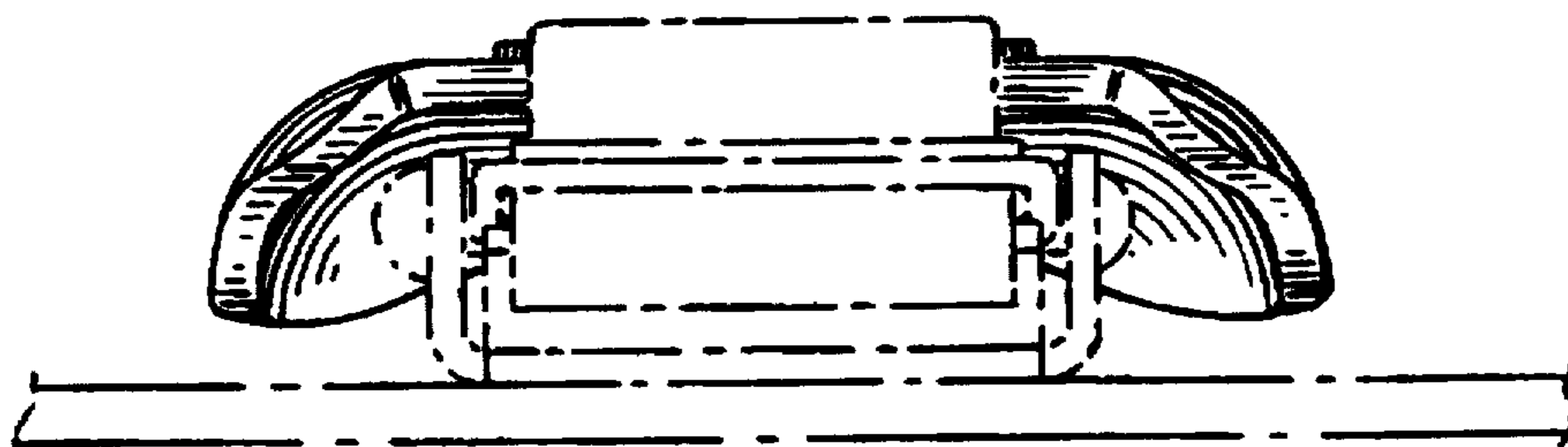


Fig. 5