



US00D388679S

United States Patent [19]
Wang

[11] **Patent Number:** **Des. 388,679**
[45] **Date of Patent:** ****Jan. 6, 1998**

[54] **PNEUMATIC GUN**

[76] **Inventor:** **Hsing-Tzu Wang**, No. 80, Ta-Hsin St.,
Taichung City, Taiwan

[**] **Term:** **14 Years**

[21] **Appl. No.:** **67,159**

[22] **Filed:** **Mar. 4, 1997**

[51] **LOC (6) Cl.** **08-01**

[52] **U.S. Cl.** **D8/68**

[58] **Field of Search** **D8/68; 239/346,**
239/373, 375, 416.4

[56] **References Cited**

U.S. PATENT DOCUMENTS

5,618,001 4/1997 Del Gaone et al. 239/346

Primary Examiner—Antoine Duval Davis
Attorney, Agent, or Firm—Kenyon & Kenyon

[57] **CLAIM**

The ornamental design for a pneumatic gun, as shown and described.

DESCRIPTION

FIG. 1 is a perspective view of a pneumatic gun of my new design;

FIG. 2 is a front elevational view thereof;

FIG. 3 is a rear elevational view thereof;

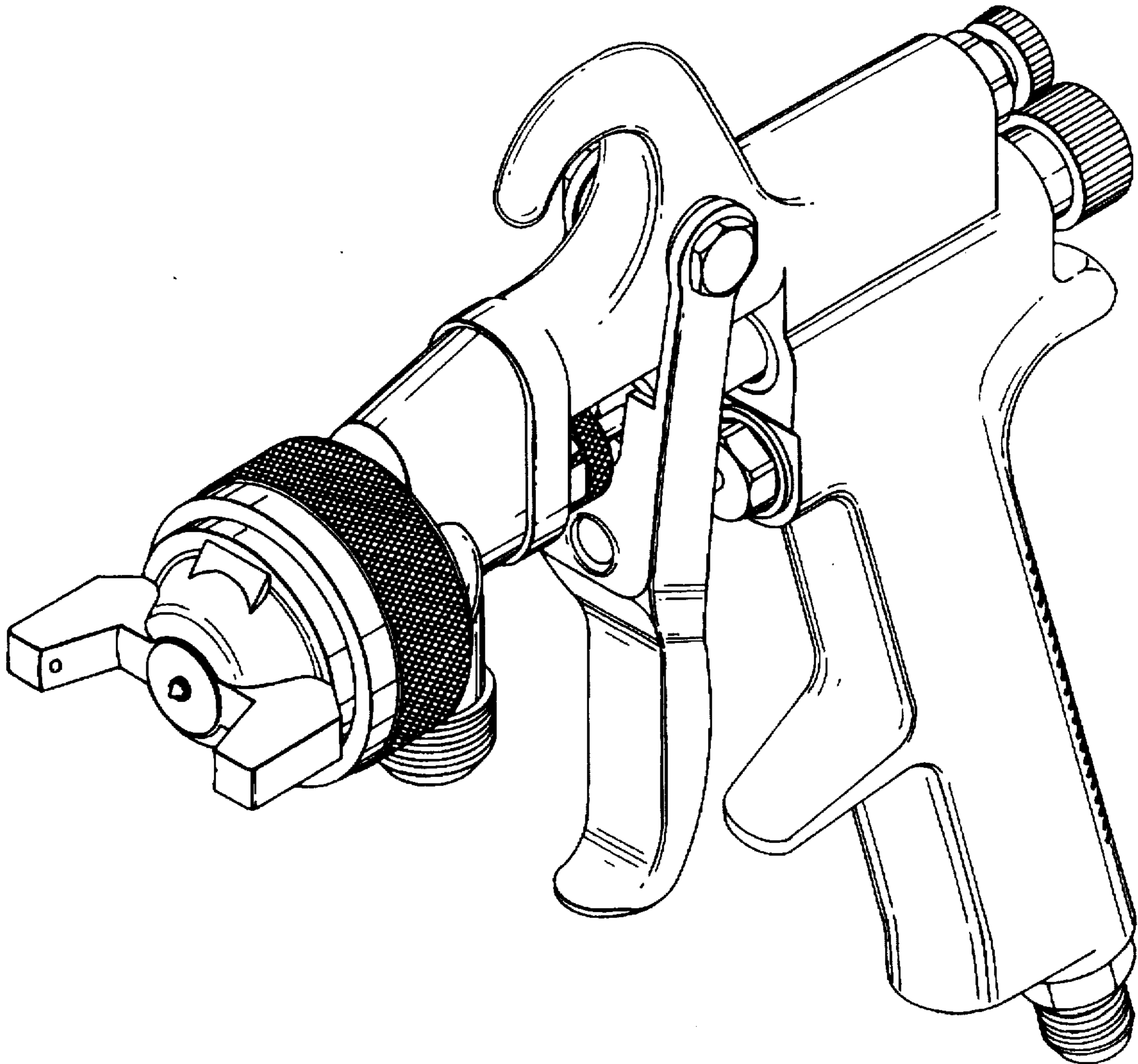
FIG. 4 is a left side elevational view thereof;

FIG. 5 is a right side elevational view thereof;

FIG. 6 is a top plan view thereof; and,

FIG. 7 is a bottom plan view thereof.

1 Claim, 5 Drawing Sheets



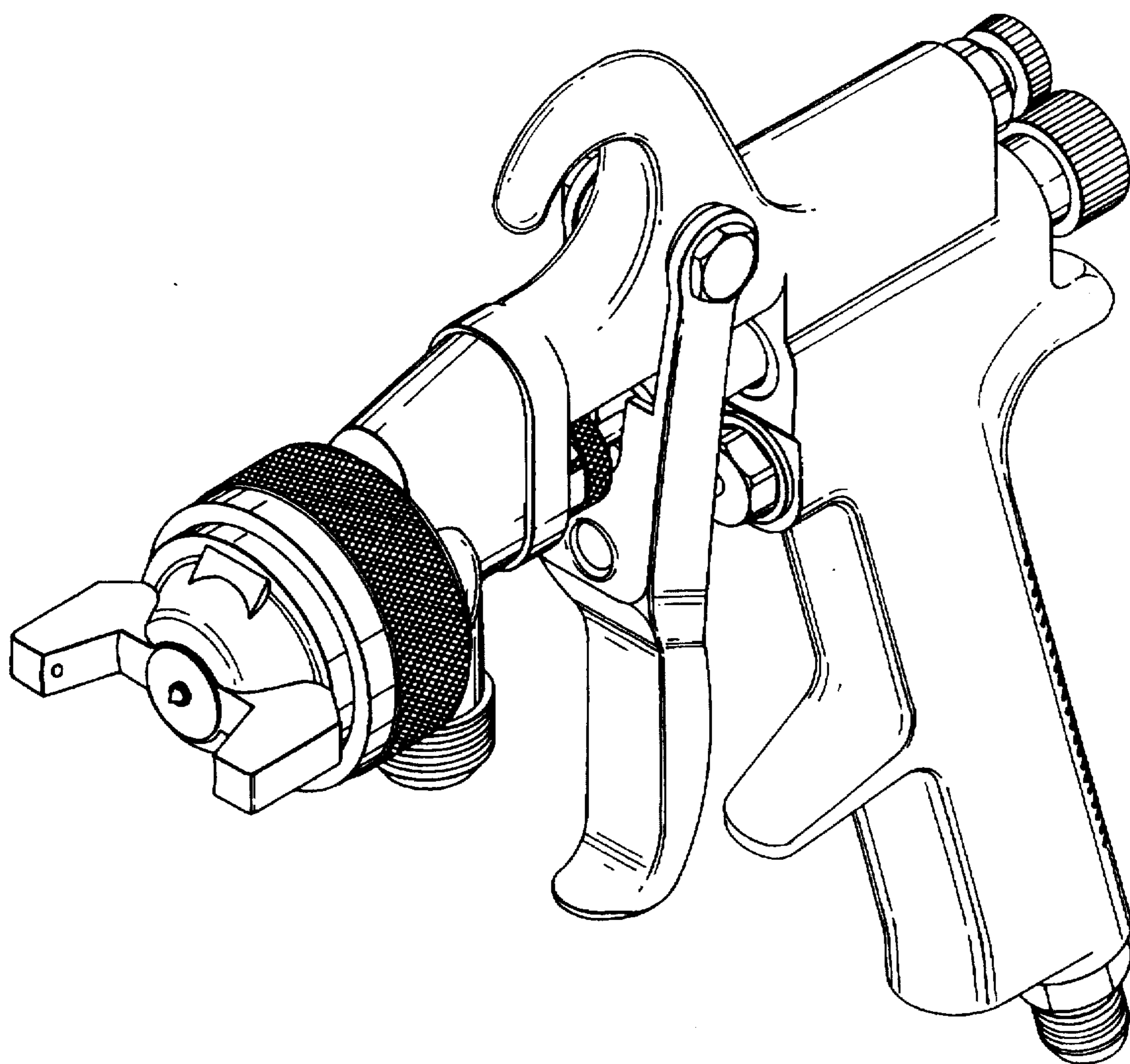


FIG. 1

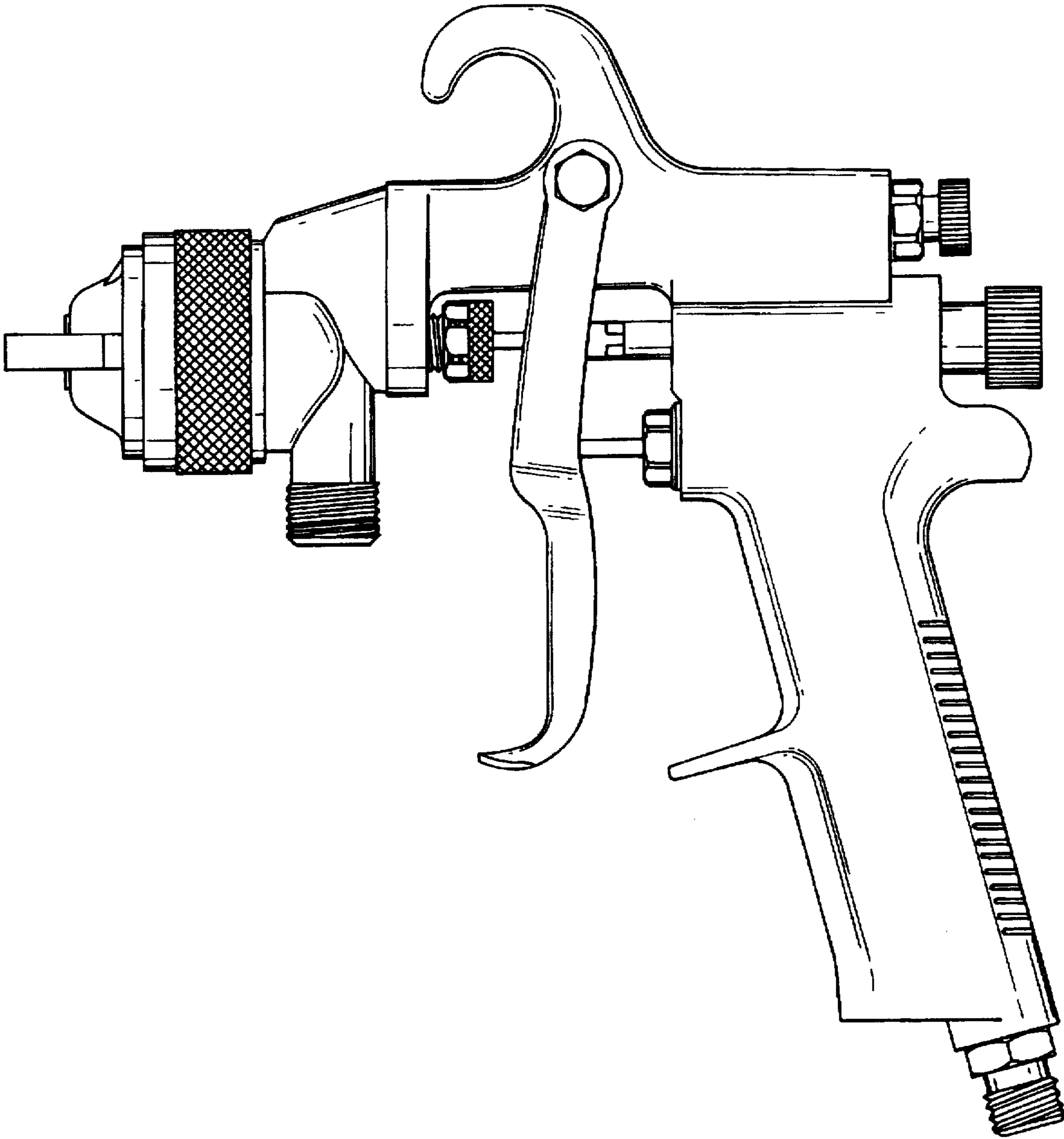


FIG. 2

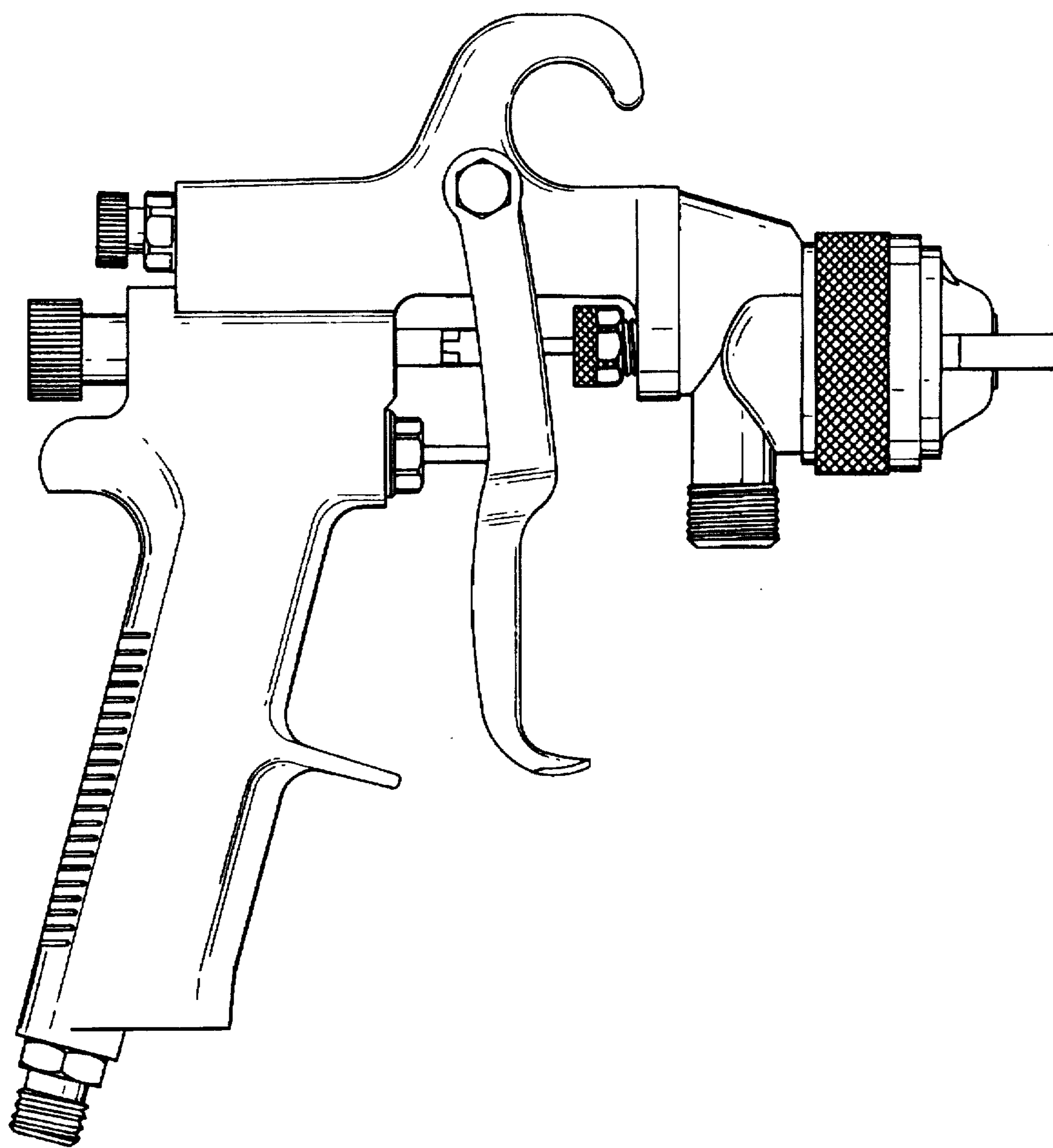


FIG. 3

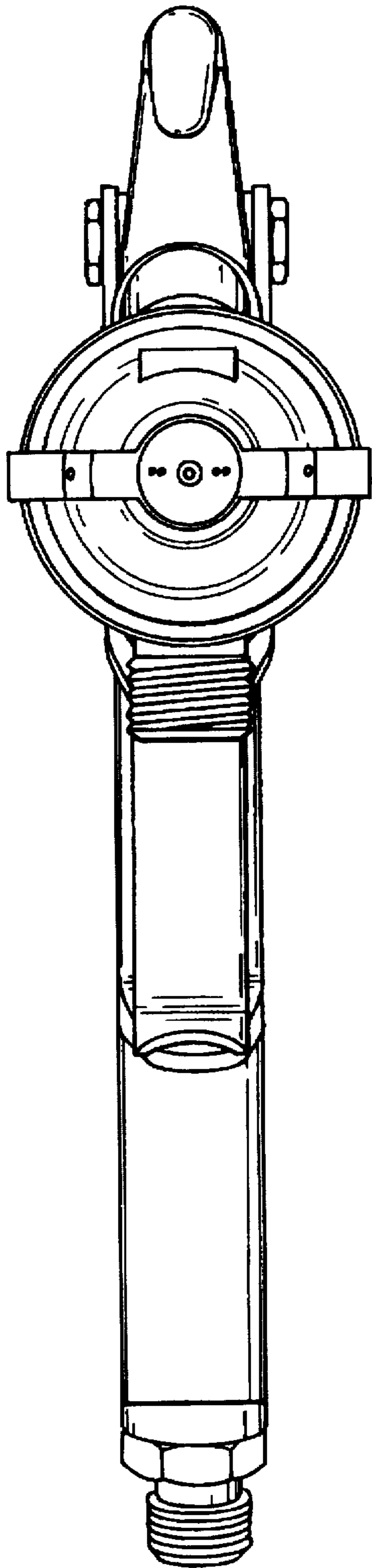


FIG. 4

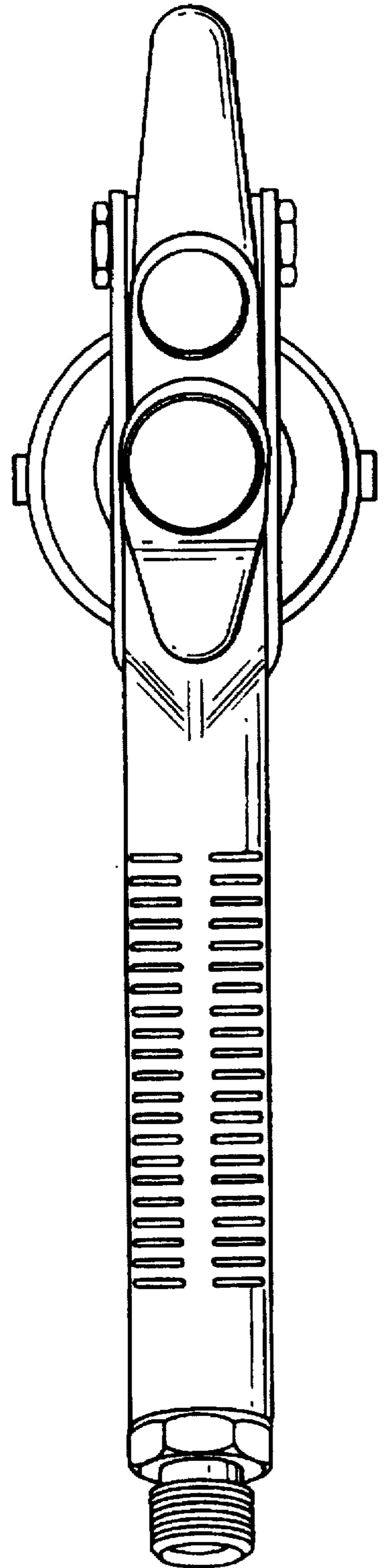


FIG. 5

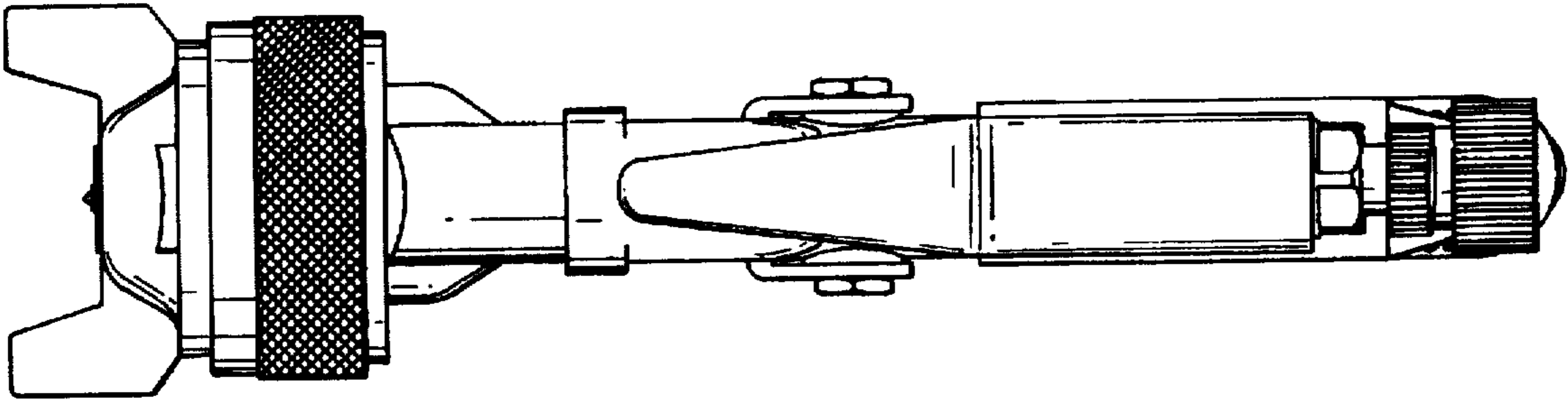


FIG. 6

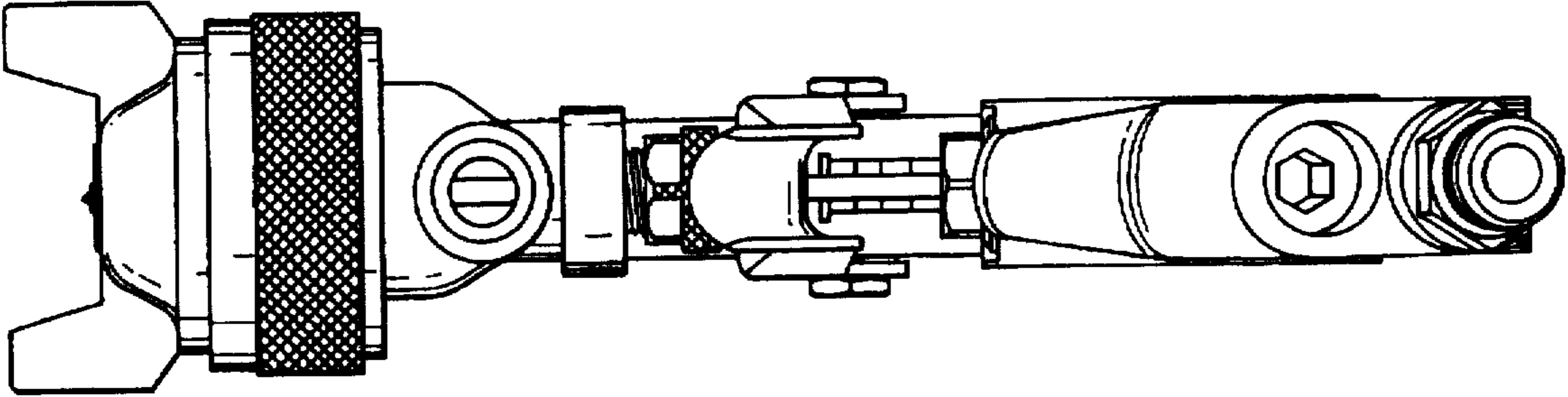


FIG. 7