



US00D388676S

United States Patent [19]

[11] **Patent Number: Des. 388,676**

Niwa et al.

[45] **Date of Patent: **Jan. 6, 1998**

[54] **CONCRETE VIBRATOR BODY**

DESCRIPTION

[75] **Inventors: Norifumi Niwa; Masahiko Inai**, both of Anjo, Japan

FIG. 1 is a perspective view of a concrete vibrator body embodying our new design;

[73] **Assignee: Nakita Corporation**, Anjo, Japan

FIG. 2 is a front elevational view thereof;

[**] **Term: 14 Years**

FIG. 3 is a bottom plan view thereof;

[21] **Appl. No.: 62,021**

FIG. 4 is a top plan view thereof;

[22] **Filed: Nov. 5, 1996**

FIG. 5 is a rear elevational view thereof;

[51] **LOC (6) Cl. 08-03**

FIG. 6 is a right side elevational view thereof;

[52] **U.S. Cl. D8/68**

FIG. 7 is a left side elevational view thereof;

[58] **Field of Search D8/68, 69, 61; 81/54, 57, 57.11, 57.14; 173/170; 408/124, 125; 366/117-123**

FIG. 8 is a perspective view of a second embodiment, also embodying our new design;

[56] **References Cited**

FIG. 9 a front elevational view thereof;

U.S. PATENT DOCUMENTS

FIG. 10 is a bottom plan view thereof;

D. 364,463 11/1995 Pitzel et al. D8/68 X

FIG. 11 is a top plan view thereof;

D. 368,009 3/1996 Zurwelle D8/68

FIG. 12 is a rear elevational view thereof;

D. 368,214 3/1996 Zurwelle D8/68

FIG. 13 is a right side elevational view thereof;

OTHER PUBLICATIONS

FIG. 14 is a left side elevational view thereof;

A Catalog of Makita Concrete Vibrator No. 71506-1, as of Oct. 1989.

FIG. 15 is a perspective view of a third embodiment, also embodying our new design;

Primary Examiner—Antoine Duval Davis
Attorney, Agent, or Firm—Davis and Bujold

FIG. 16 is a front elevational view thereof;

[57] **CLAIM**

FIG. 17 is a bottom plan view thereof;

The ornamental design for a concrete vibrator body, as shown and described.

FIG. 18 is a top plan view thereof;

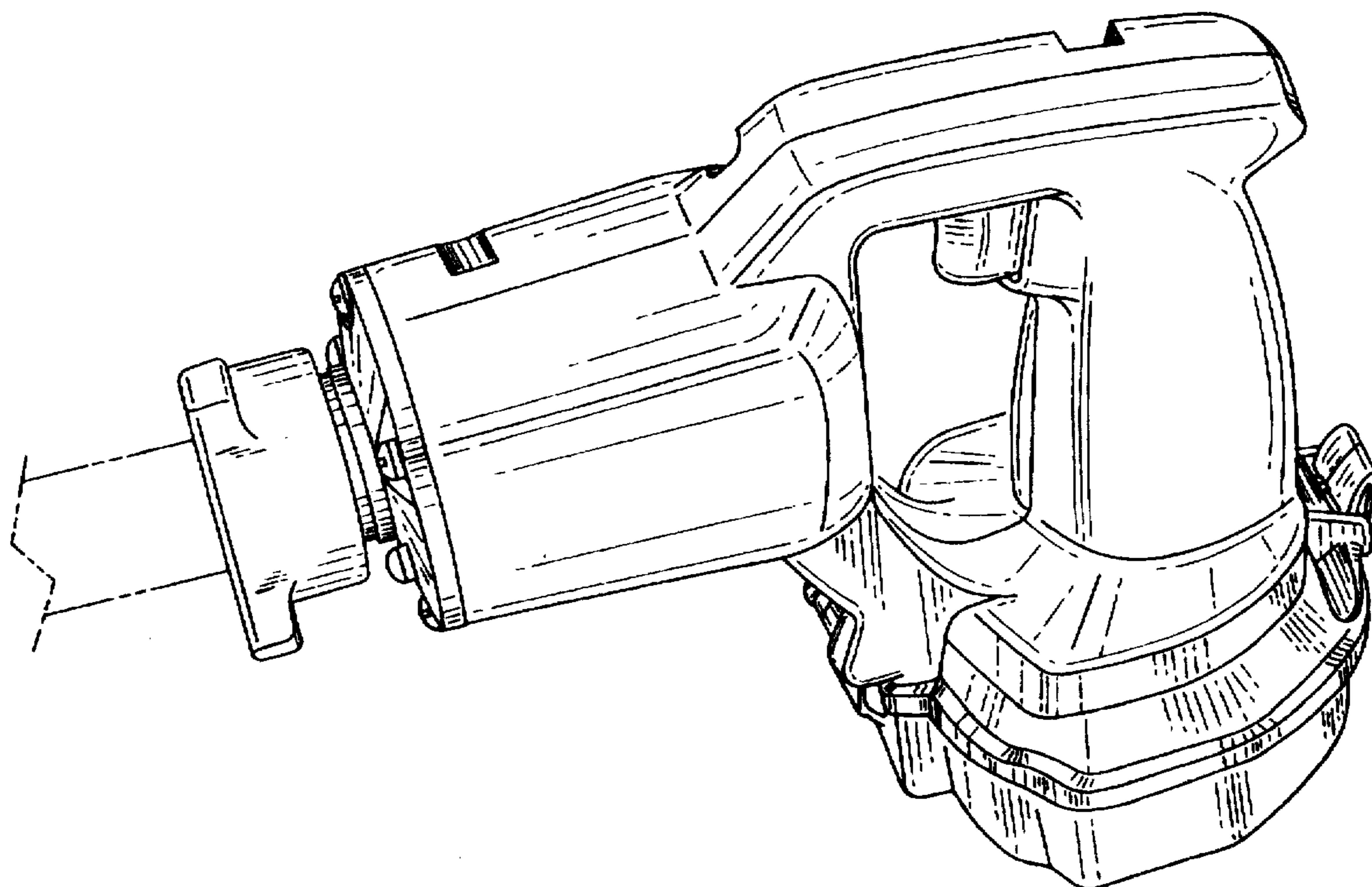
FIG. 19 is a rear elevational view thereof;

FIG. 20 is a right side elevational view thereof; and,

FIG. 21 is a left side elevational view thereof.

The broken line showings are for illustrative purposes only and forms no part of the claimed design.

1 Claim, 21 Drawing Sheets



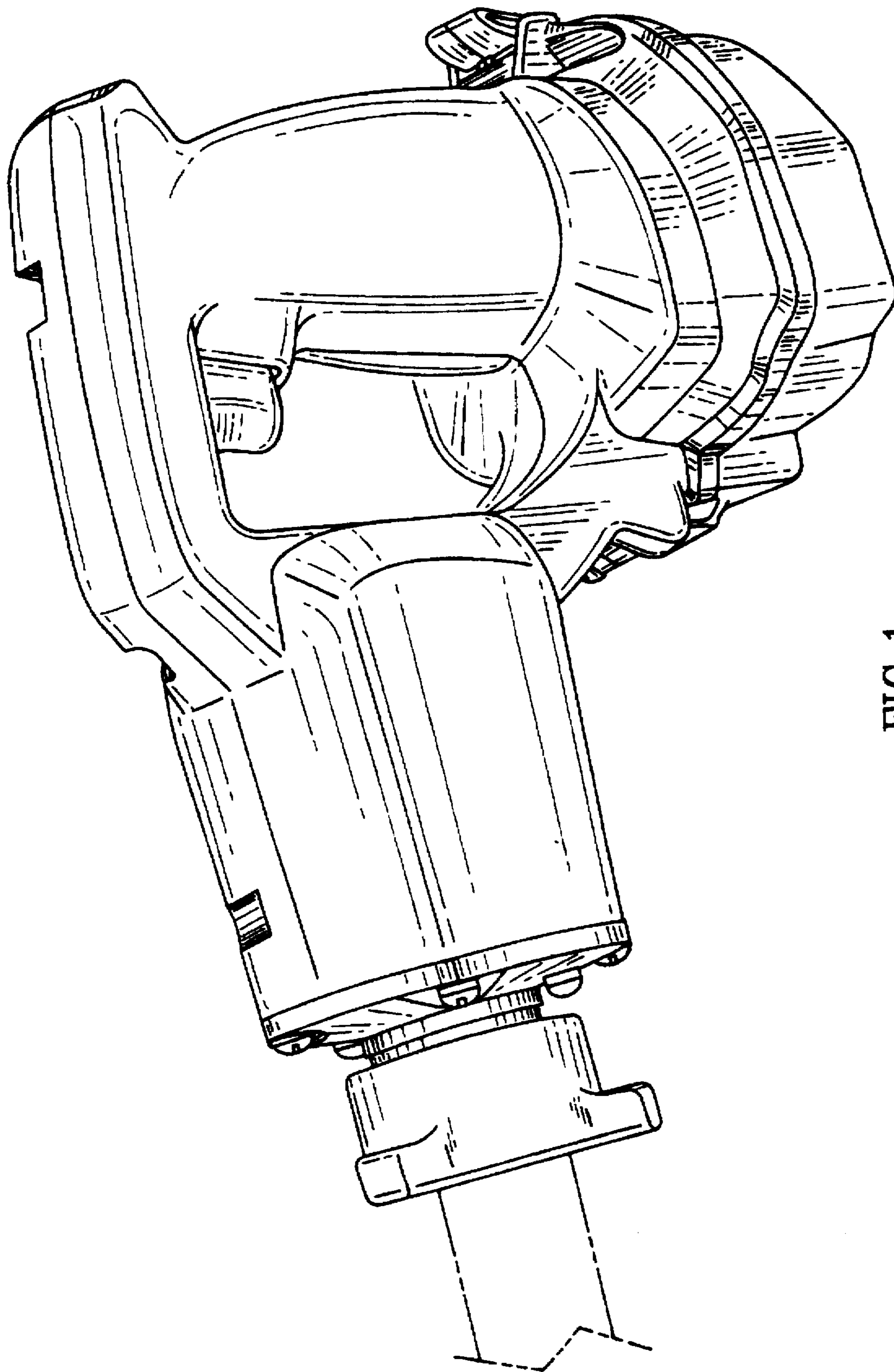


FIG. 1

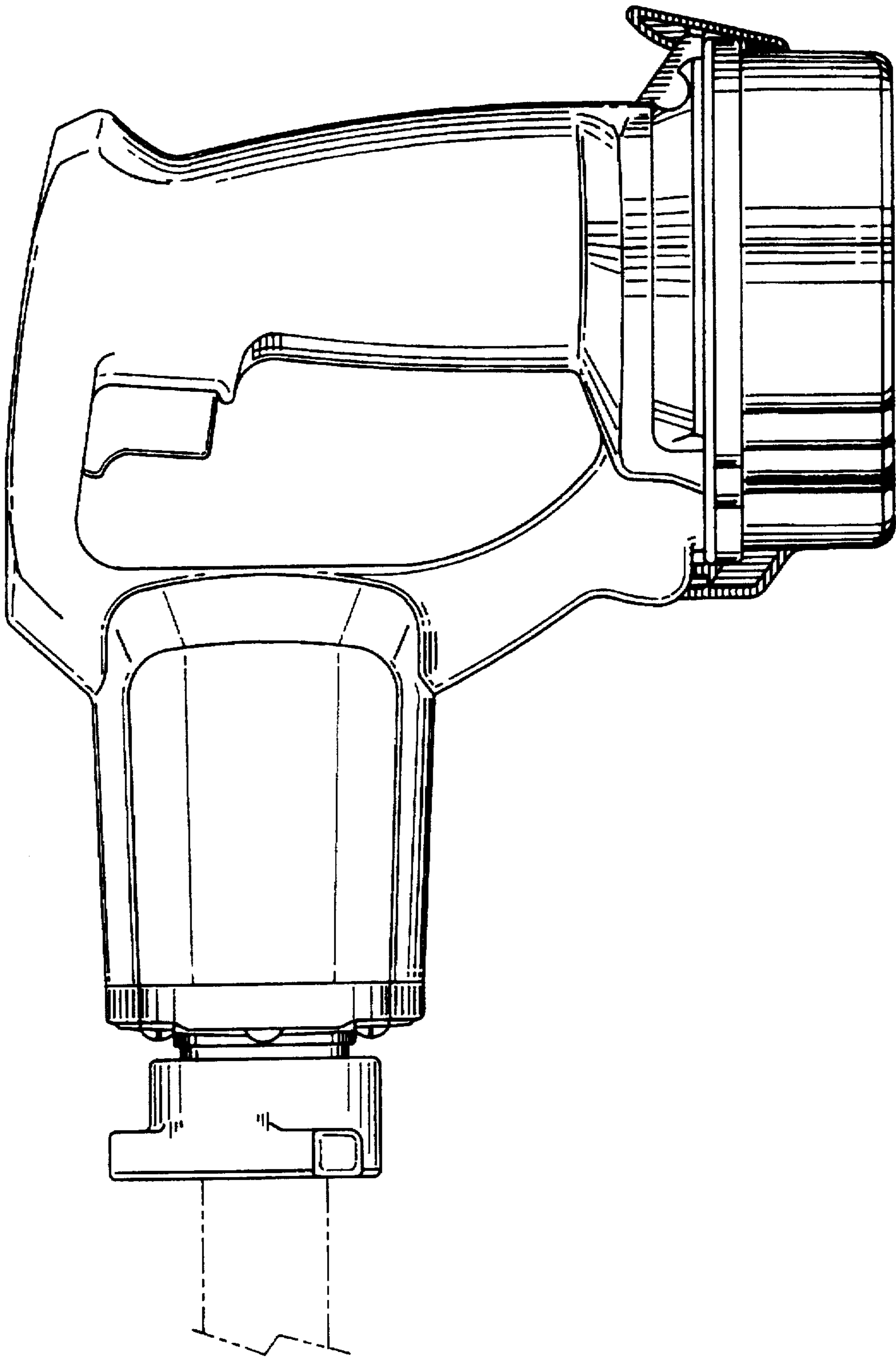


FIG. 2

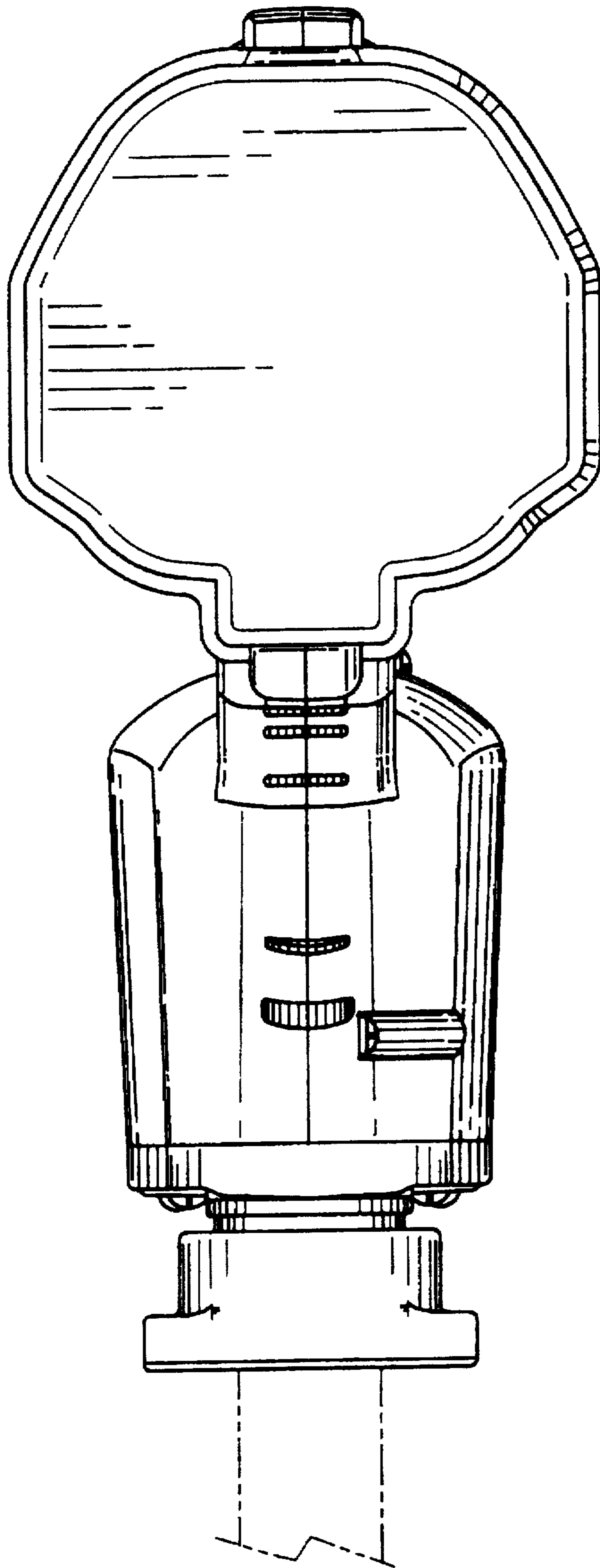


FIG. 3

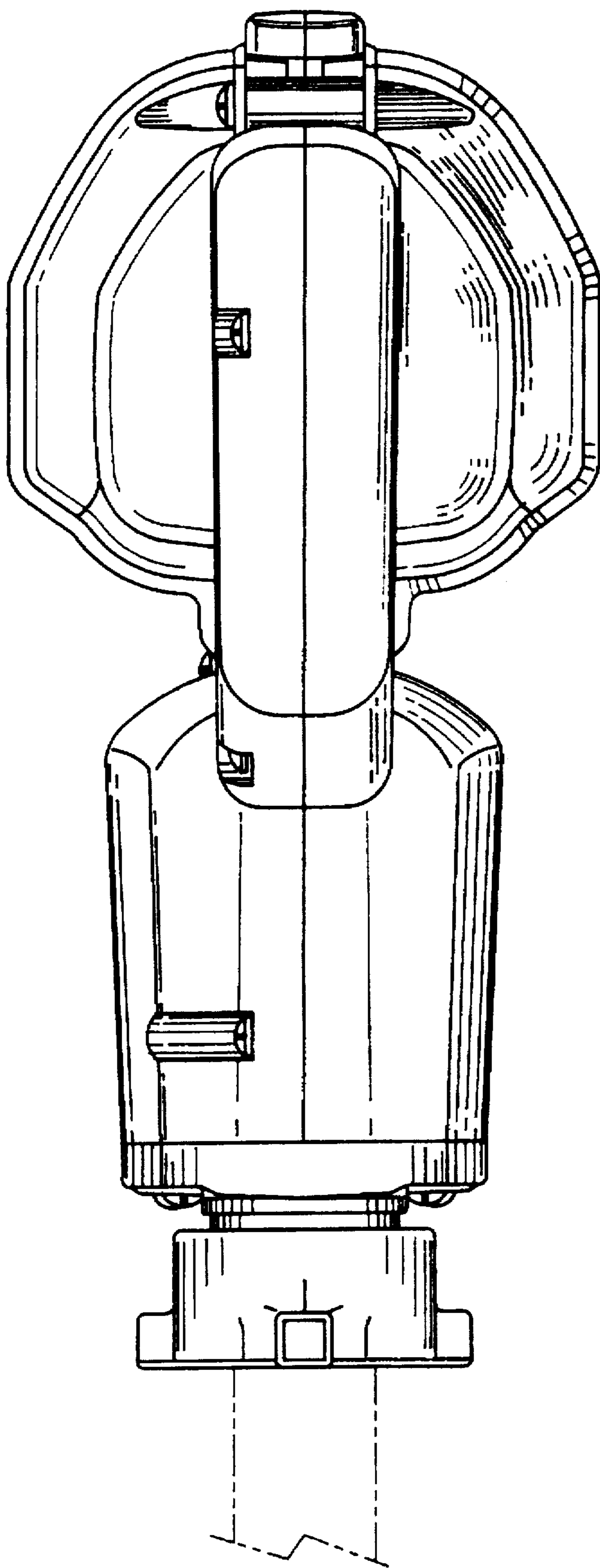


FIG. 4

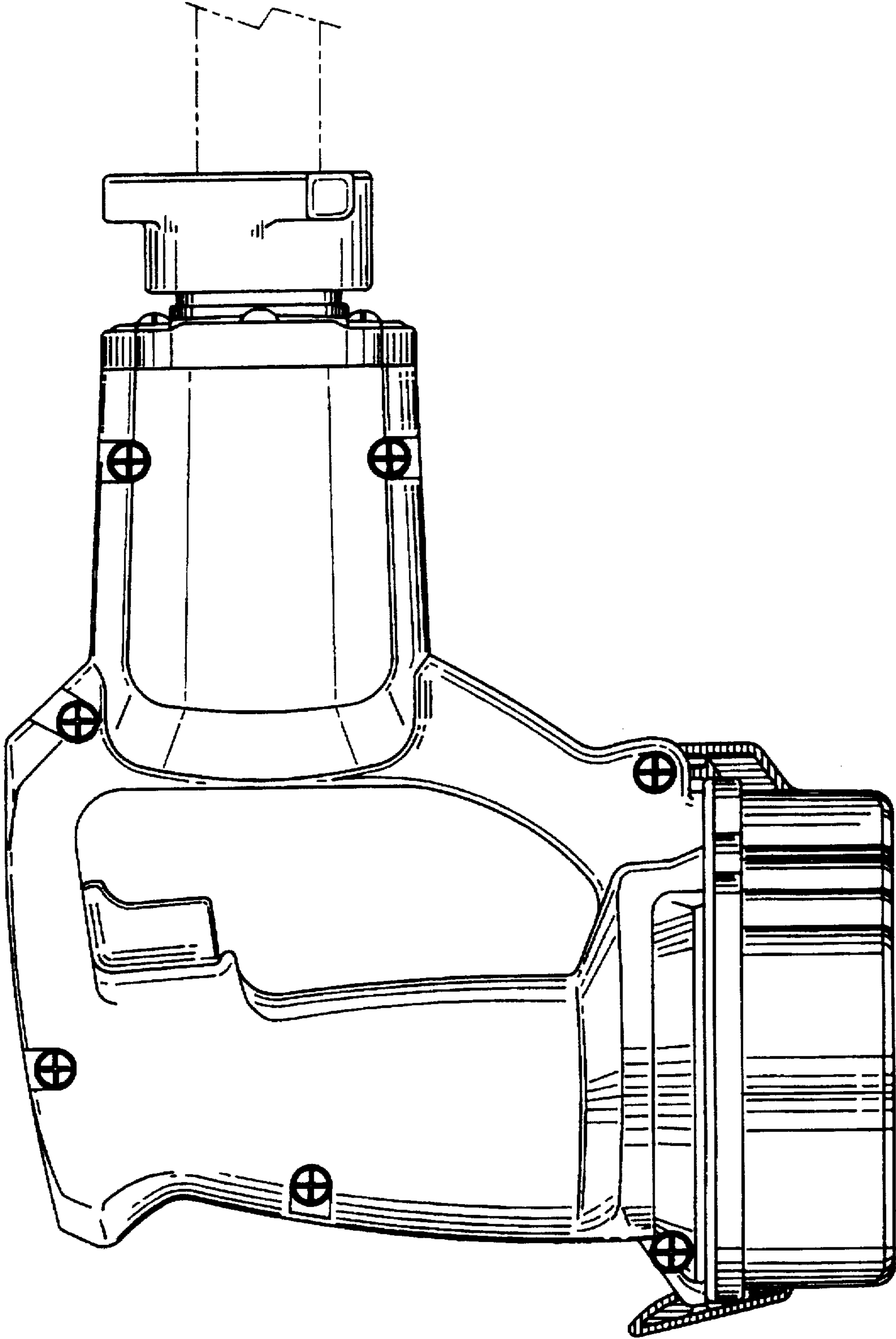


FIG. 5

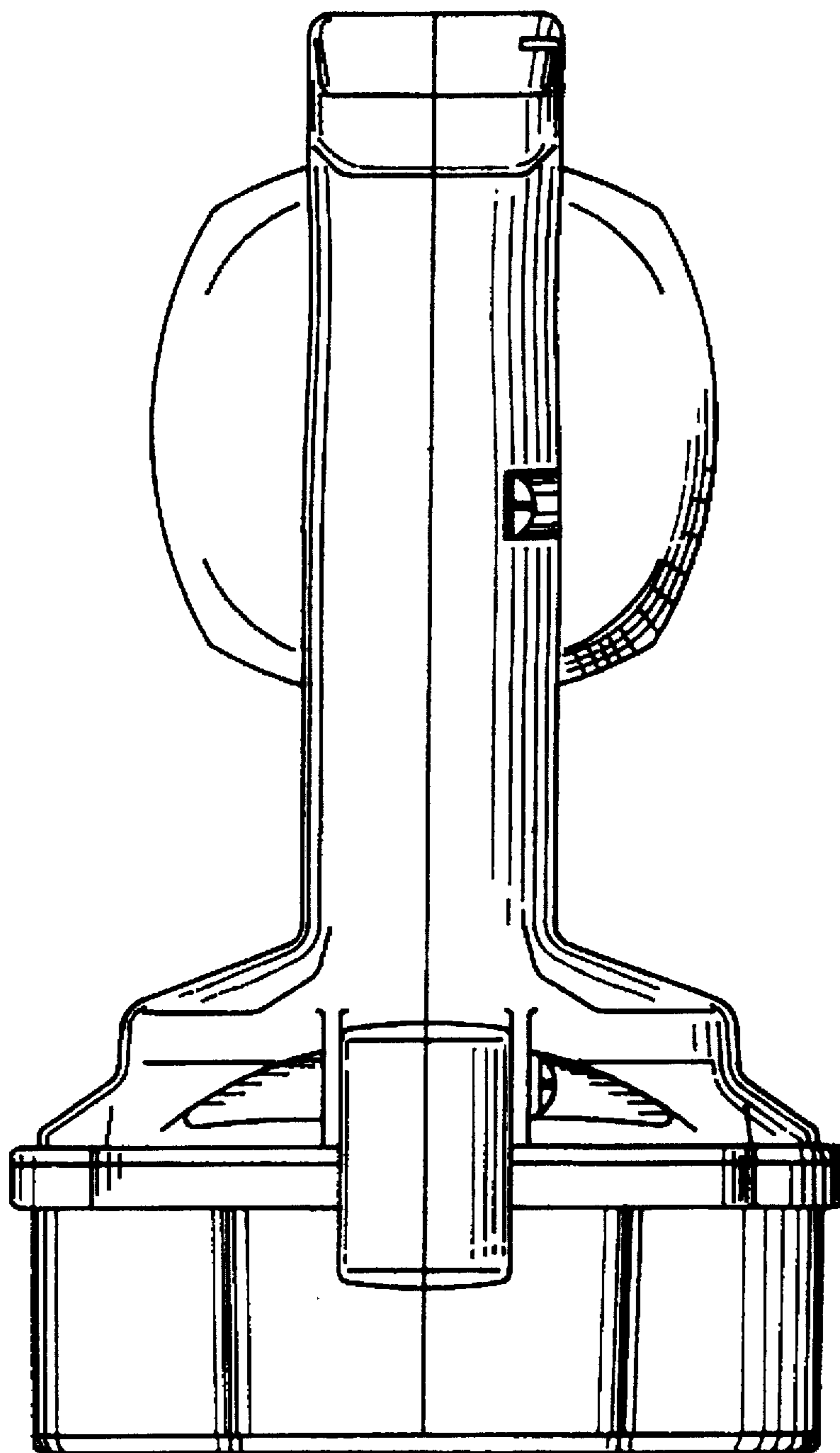


FIG. 6

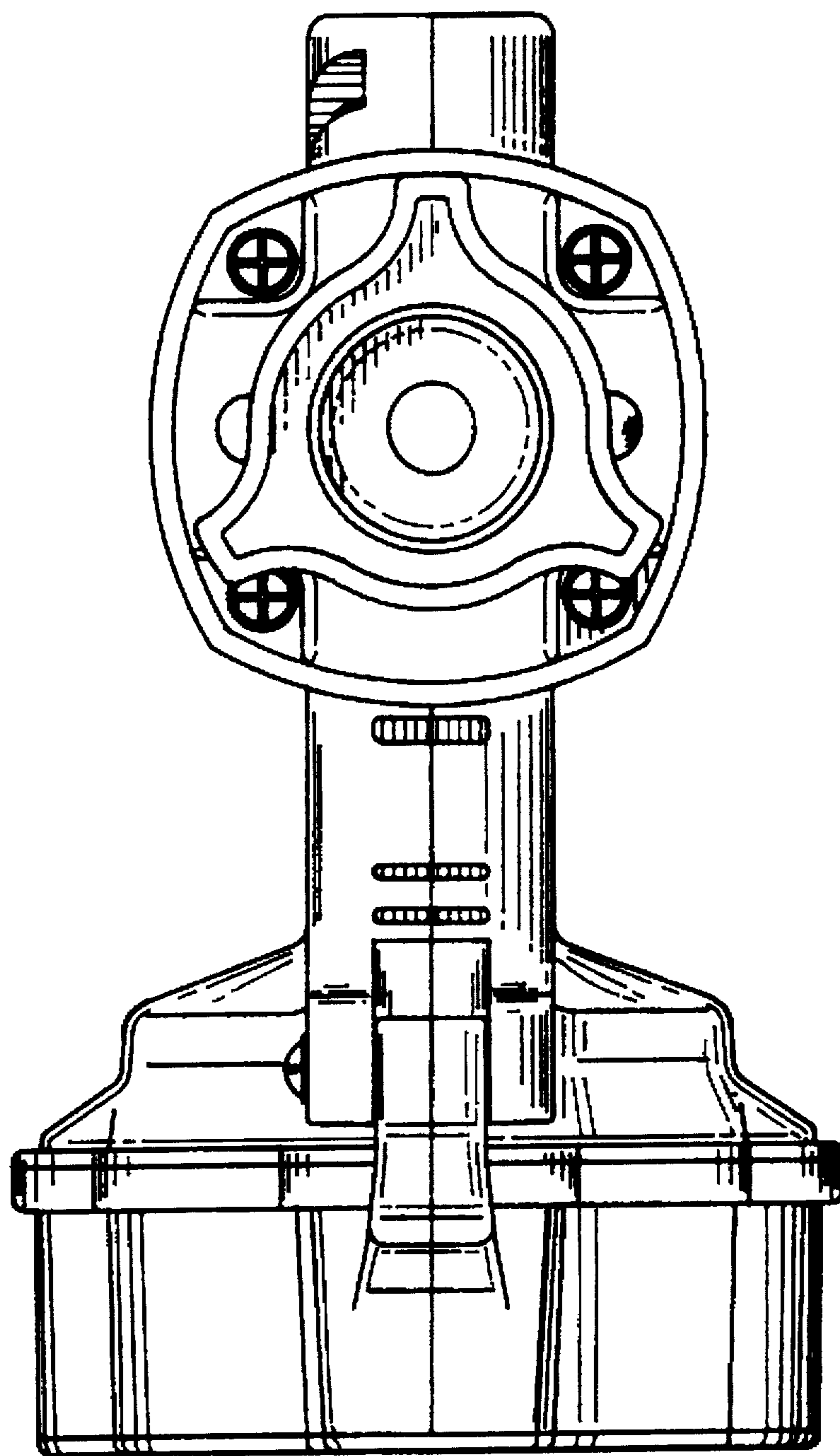


FIG. 7

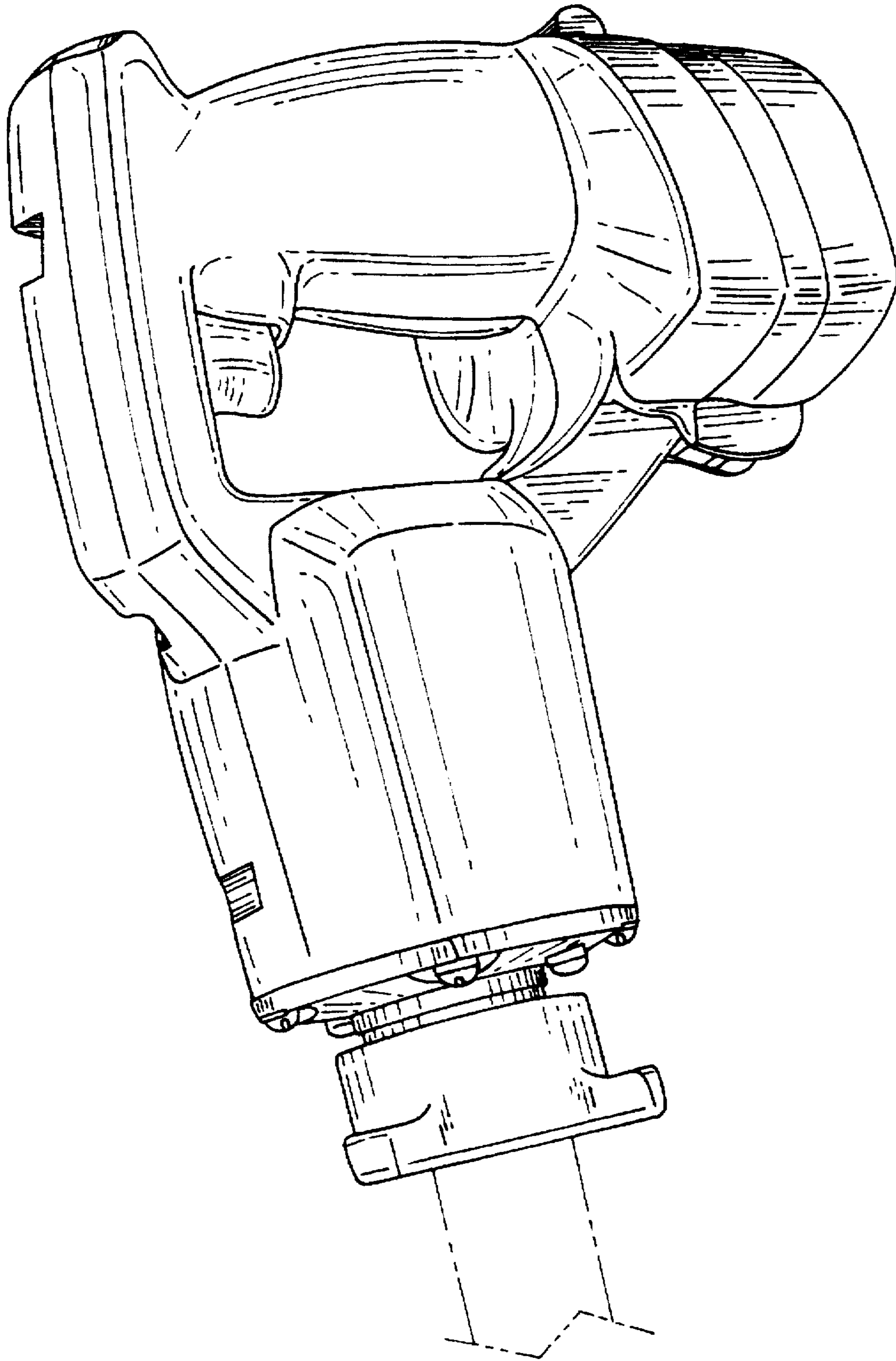


FIG. 8

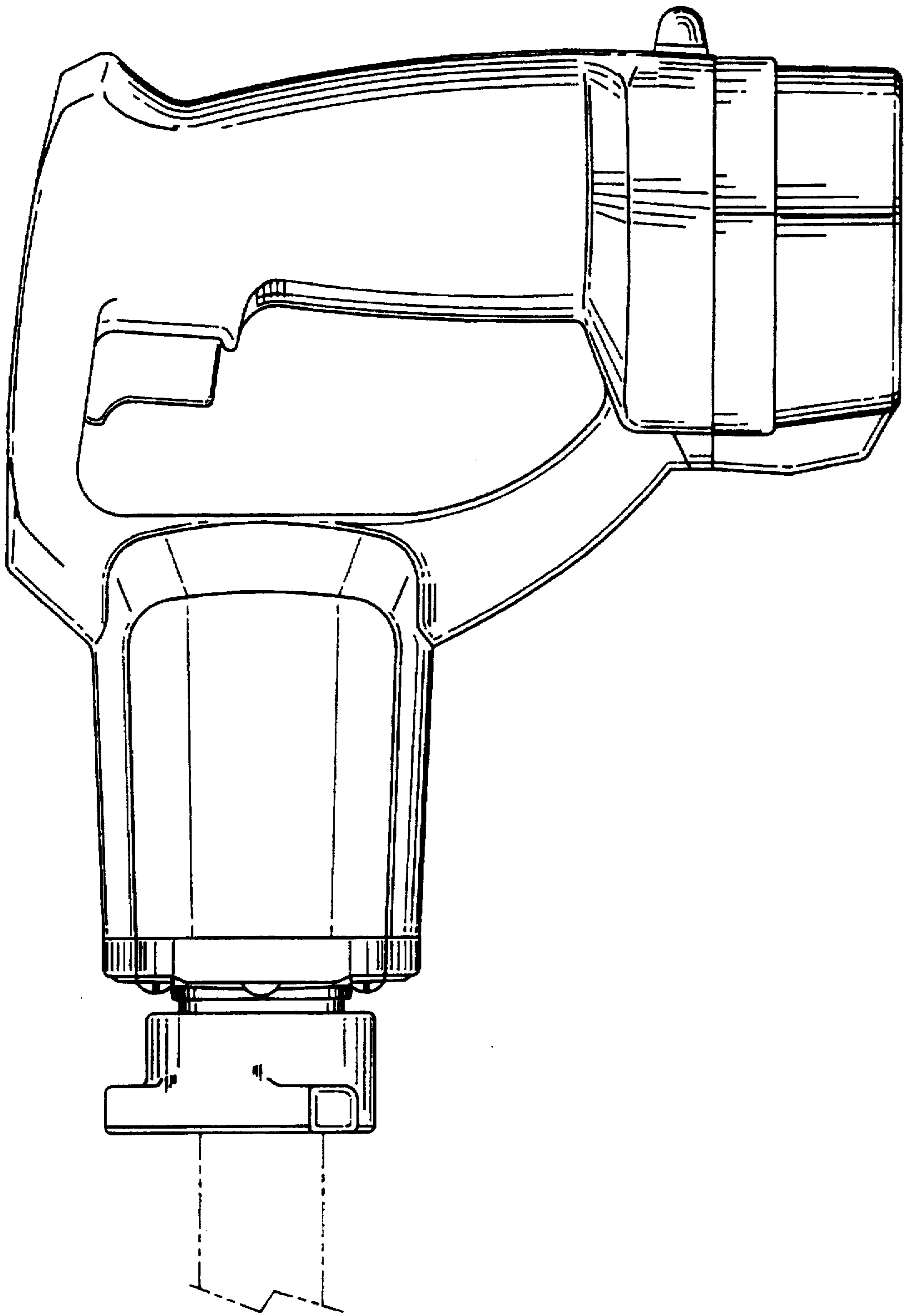


FIG. 9

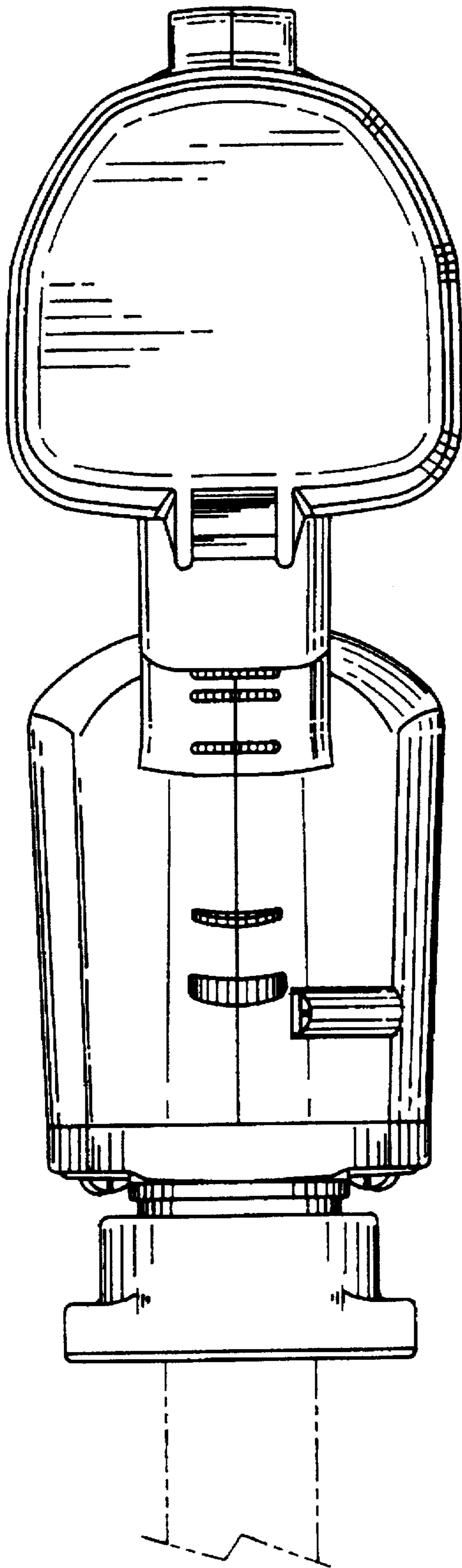


FIG. 10

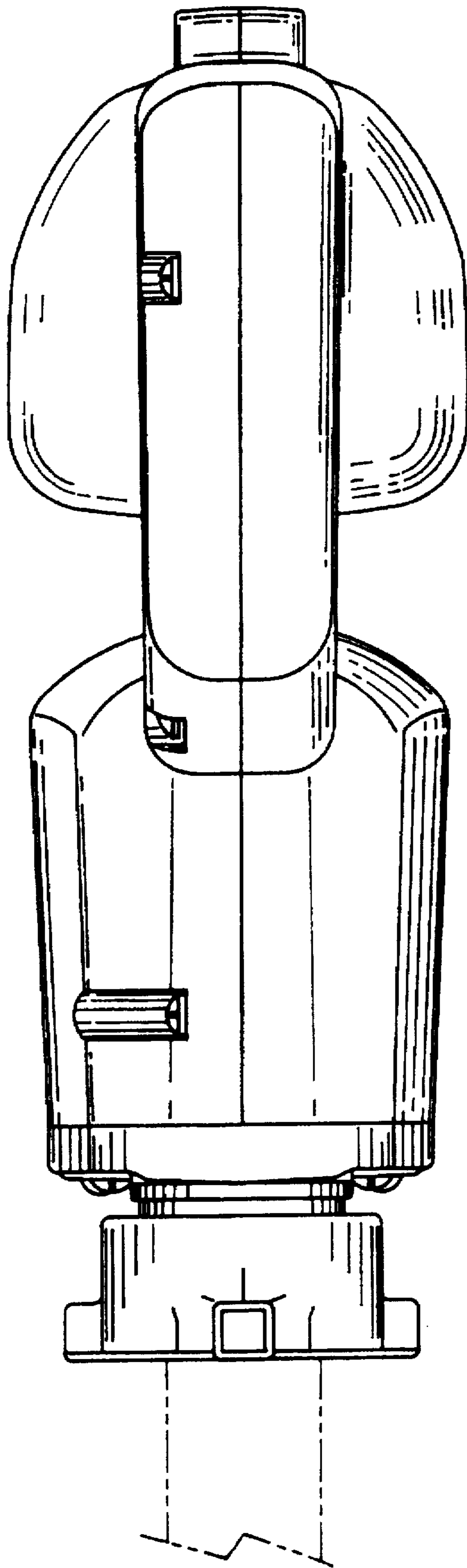


FIG. 11

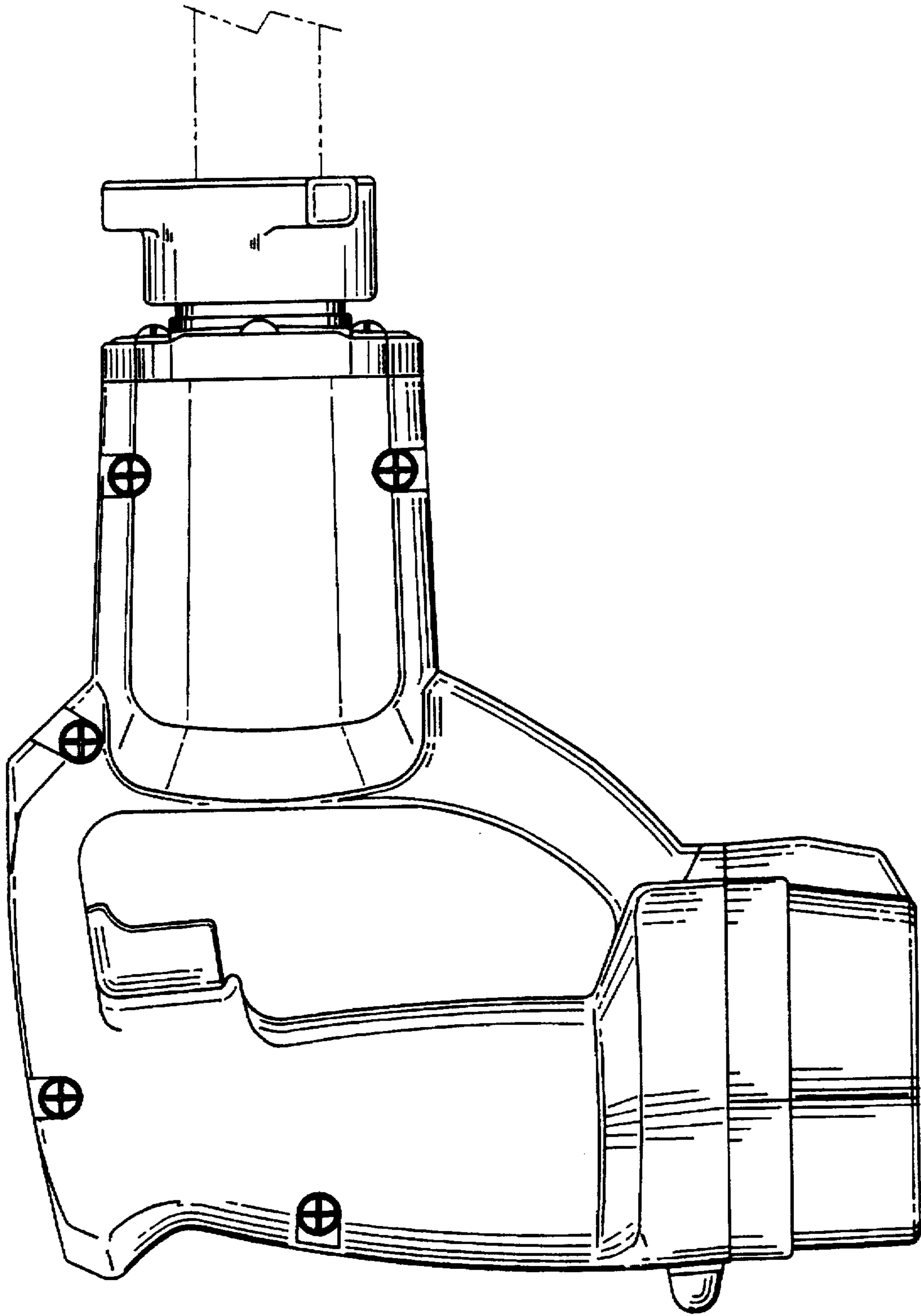


FIG. 12

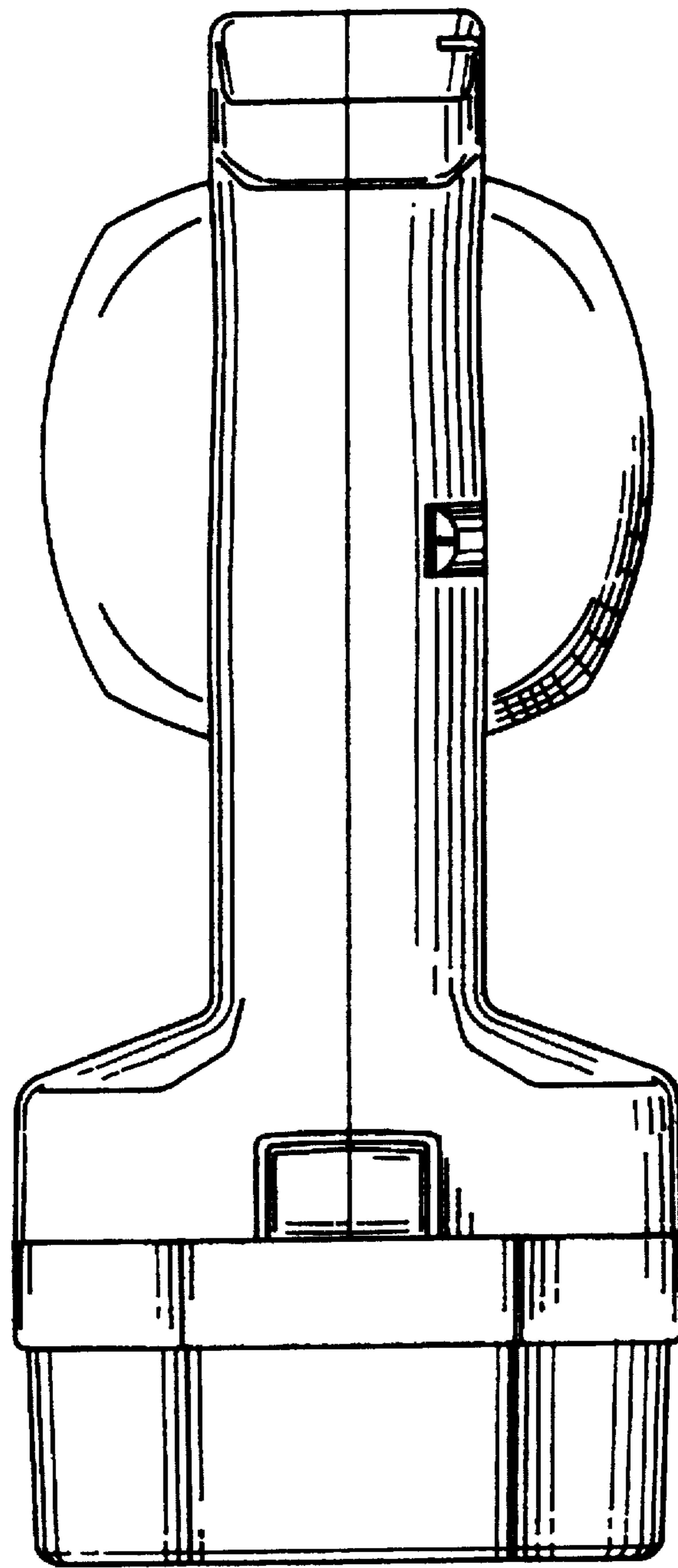


FIG. 13

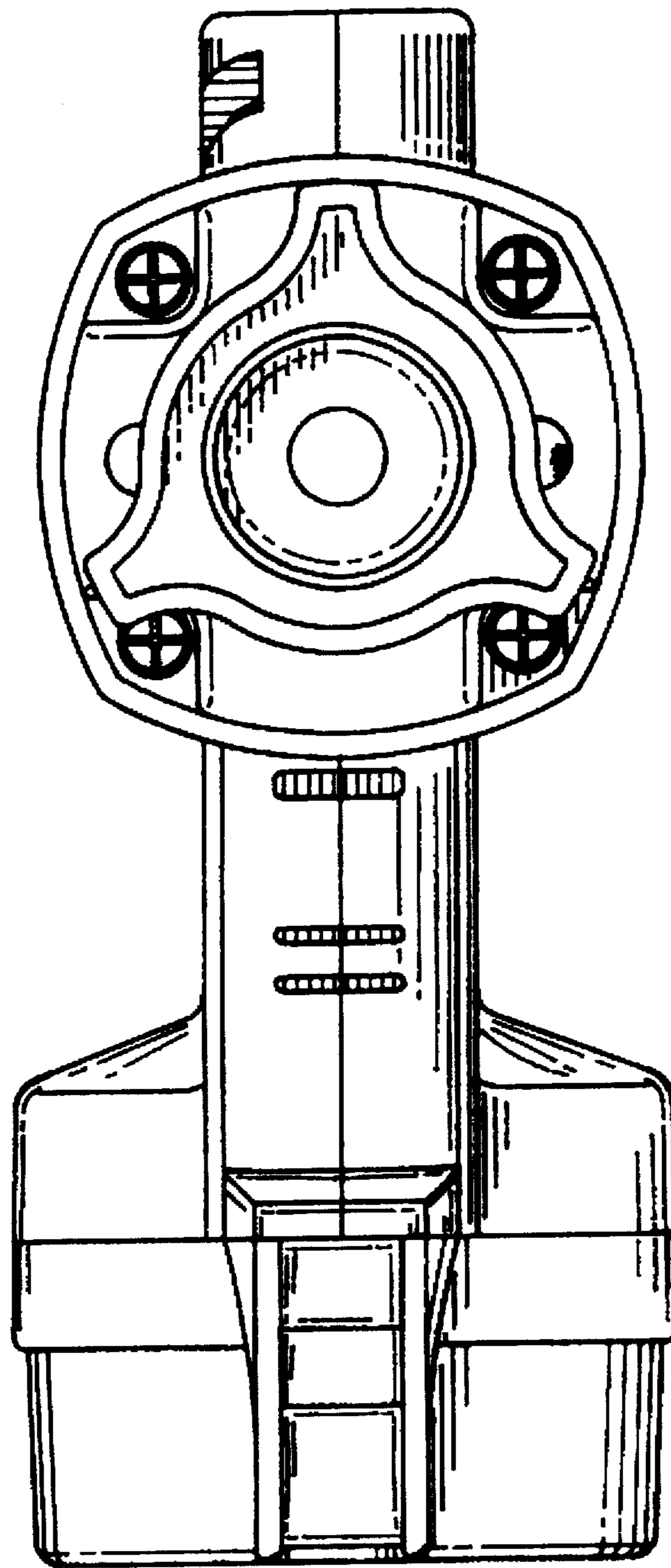


FIG. 14

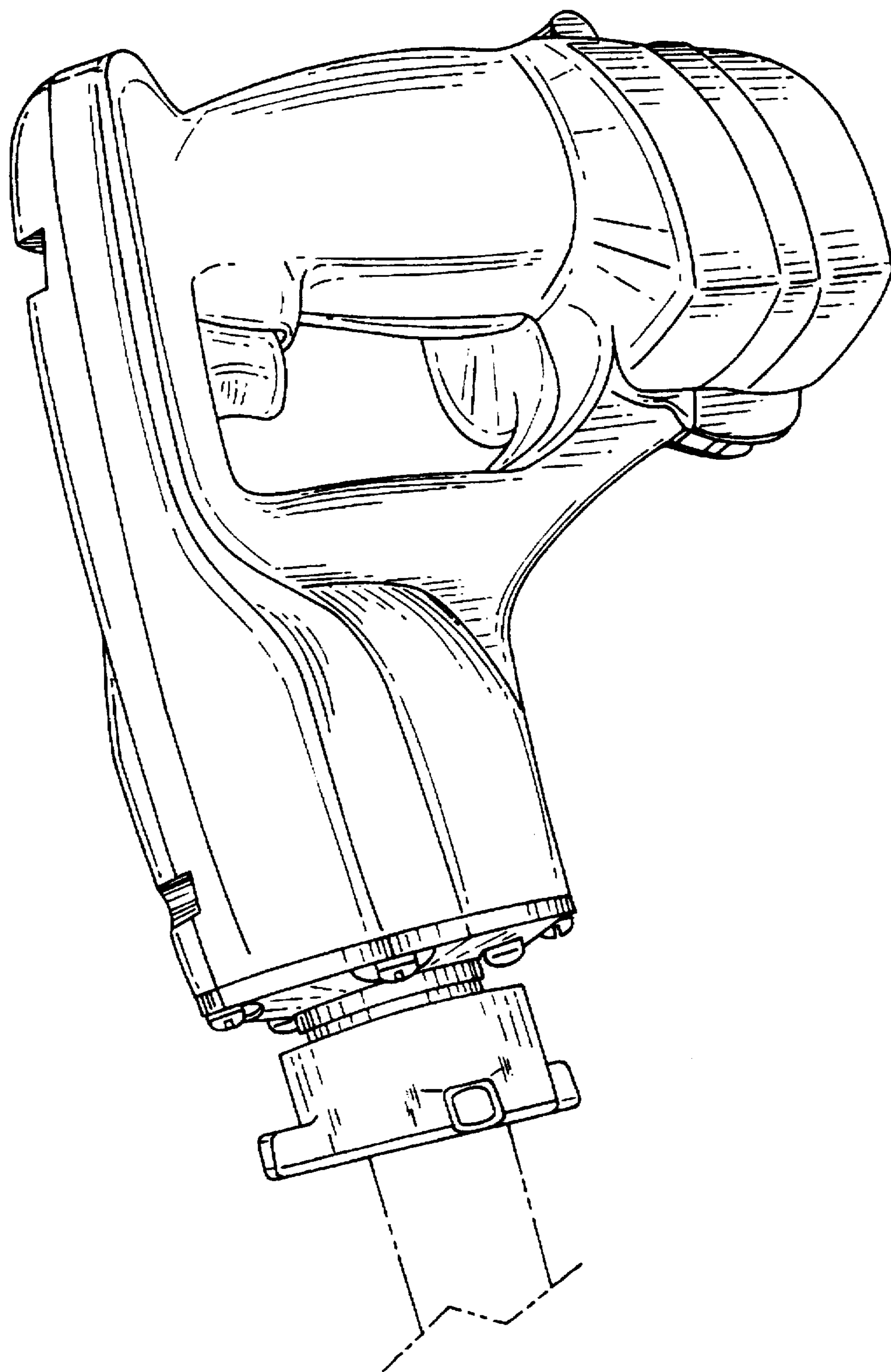


FIG.15

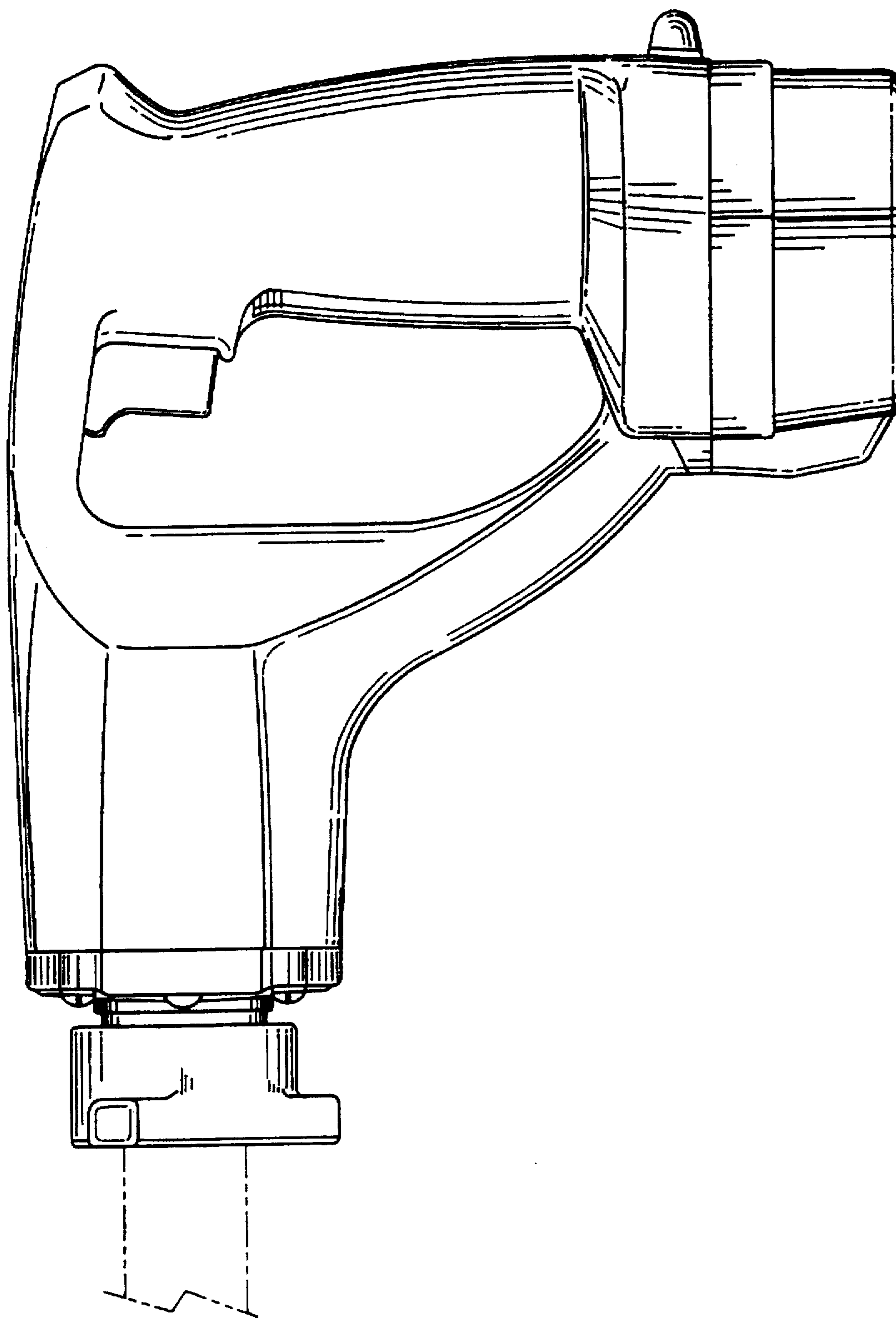


FIG. 16

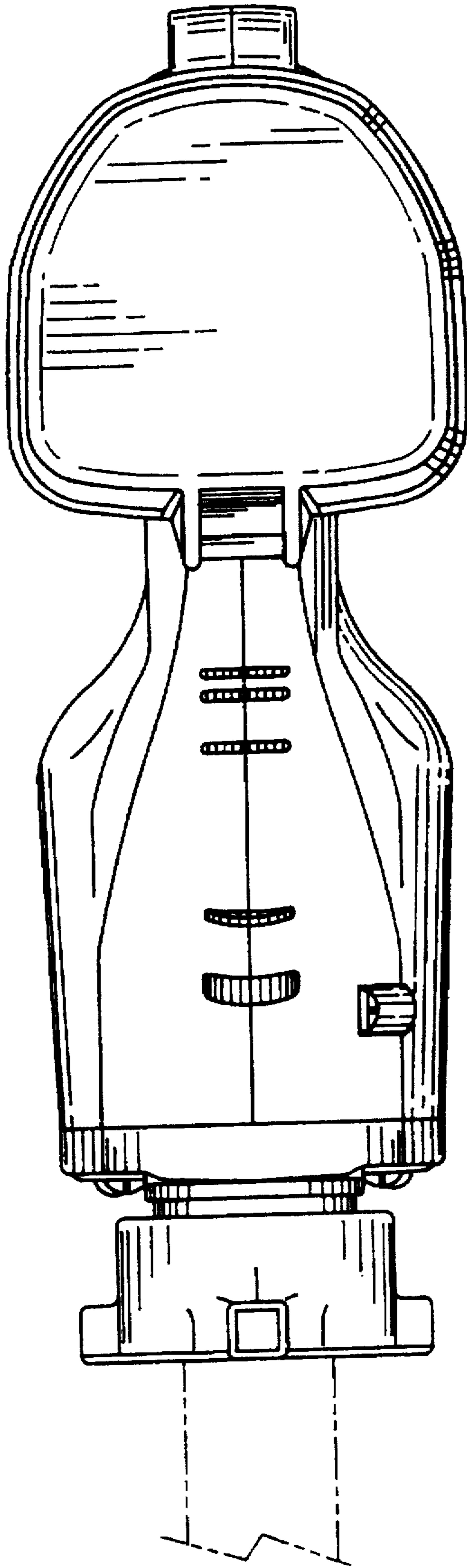


FIG. 17

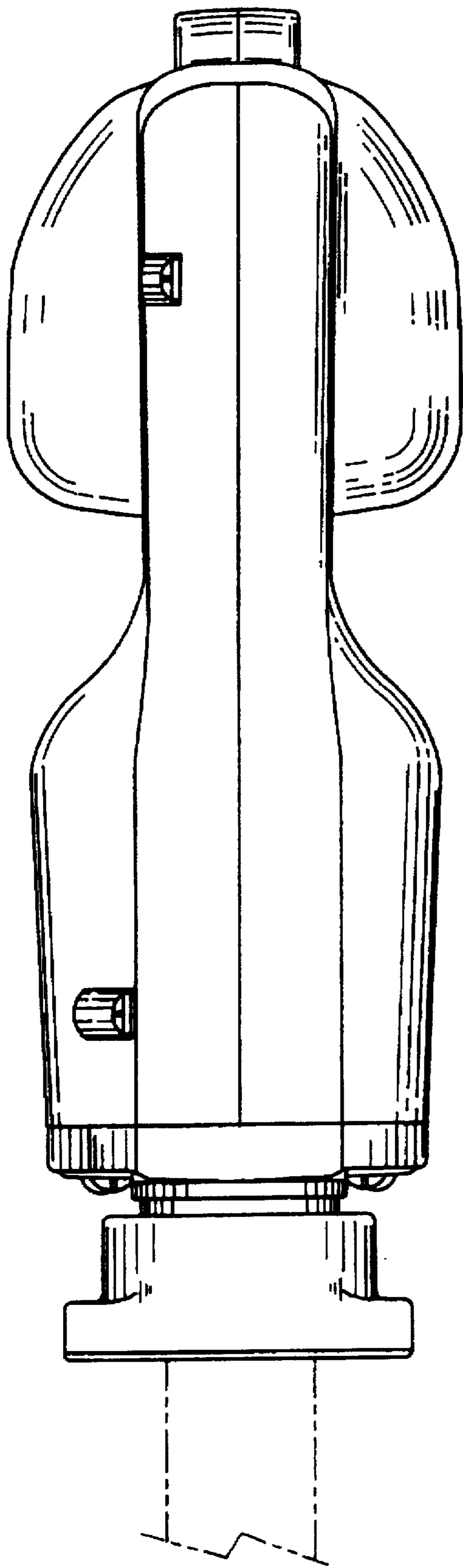


FIG. 18

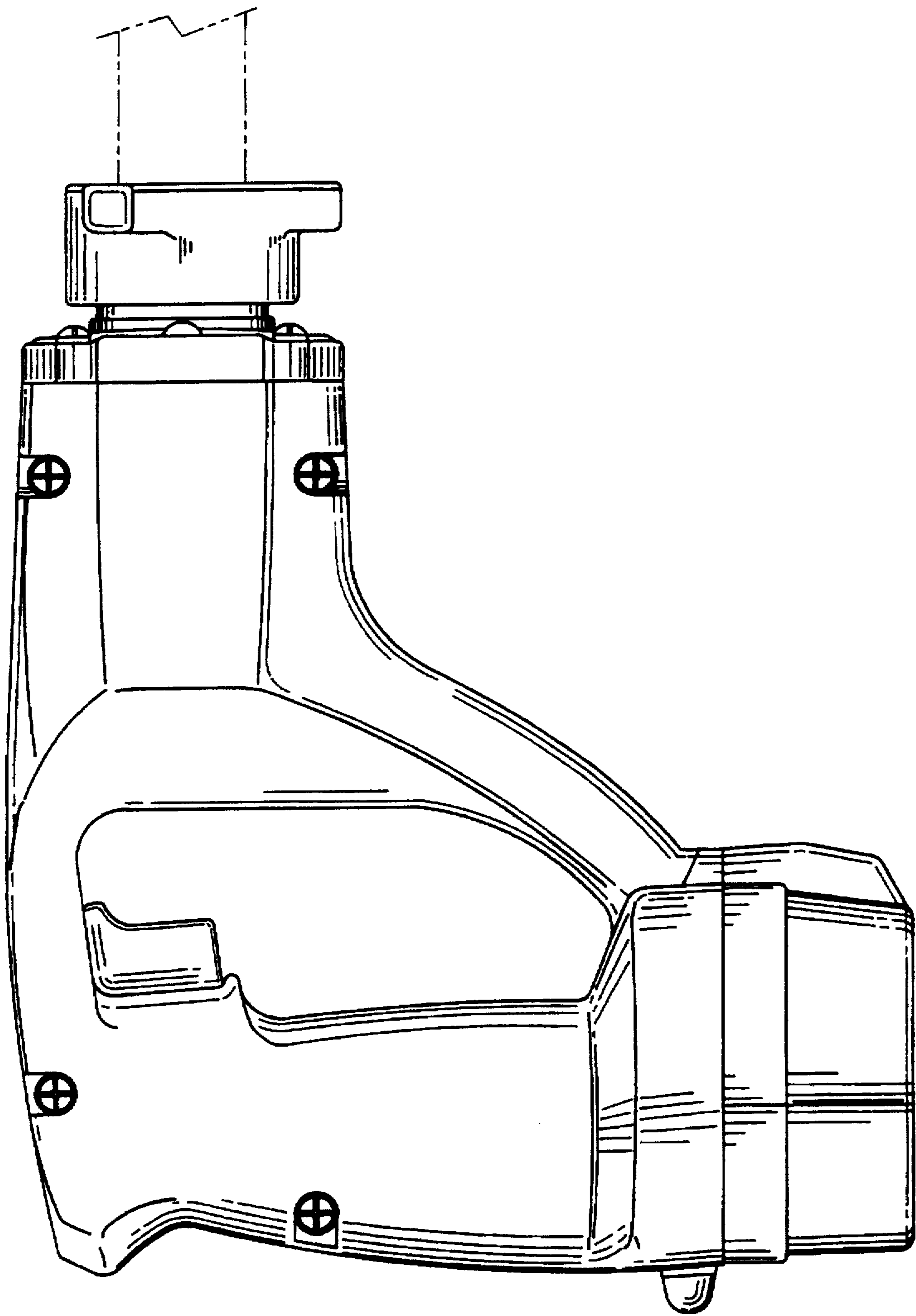


FIG. 19

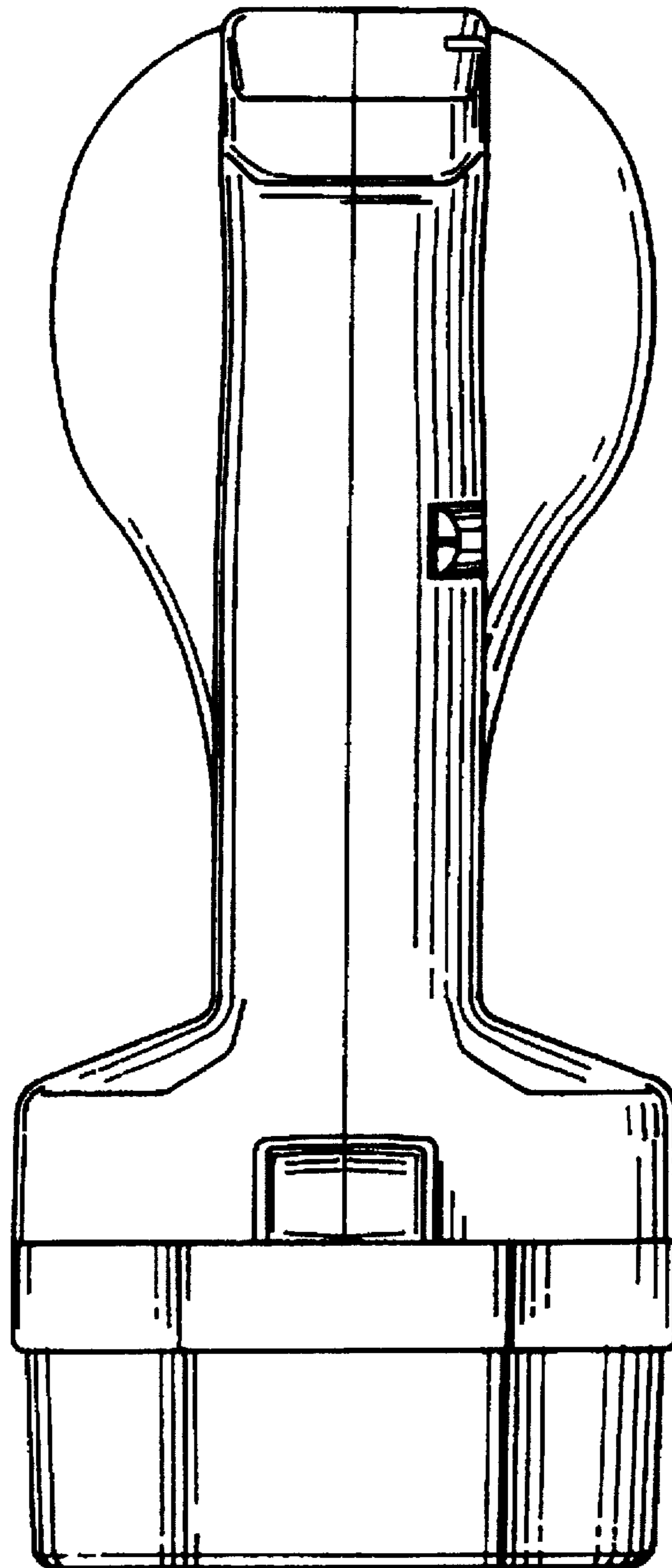


FIG. 20

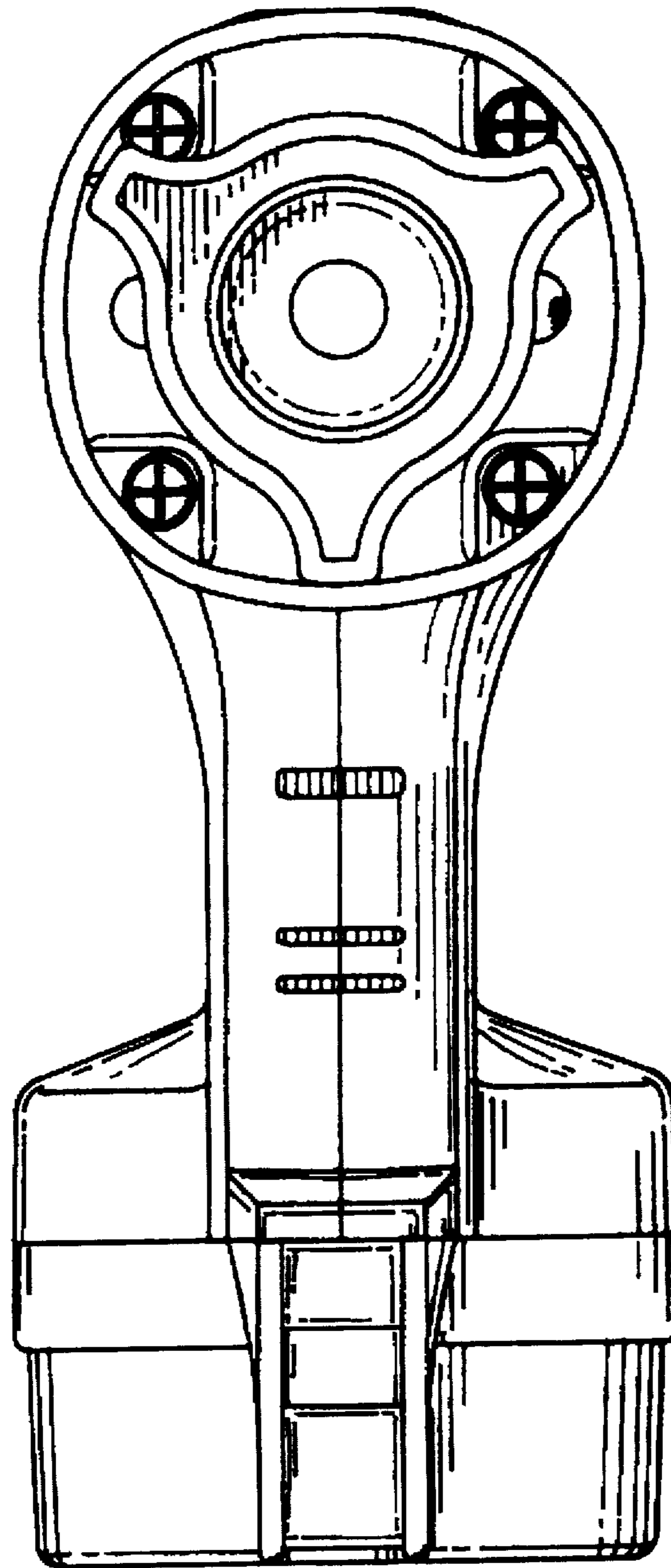


FIG. 21

UNITED STATES PATENT AND TRADEMARK OFFICE
CERTIFICATE OF CORRECTION

PATENT NO. : Des. 388,676
DATED : January 6, 1998
INVENTOR(S) : Norifumi NIWA and Masahiko INAI

It is certified that error appears in the above-identified patent and that said Letters Patent is hereby corrected as shown below:

On the title page:

[73] Assignee: Nakita Corporation, Anjo, Japan

should read as follows:

[73] Assignee: Makita Corporation, Anjo, Japan

Signed and Sealed this
Twenty-eighth Day of April, 1998



Attest:

BRUCE LEHMAN

Attesting Officer

Commissioner of Patents and Trademarks