



US00D388674S

United States Patent [19]

McCloskey et al.

[11] Patent Number: **Des. 388,674**

[45] Date of Patent: ****Jan. 6, 1998**

[54] **CAN OPENER**

[75] Inventors: **Don R. McCloskey**, New Cumberland, Pa.; **Michael E. Laude**, Southbury, Conn.

[73] Assignee: **Black & Decker Inc.**, Newark, Del.

[**] Term: **14 Years**

[21] Appl. No.: **64,713**

[22] Filed: **Jan. 9, 1997**

[51] **LOC (6) Cl.** **07-99**

[52] **U.S. Cl.** **D8/36; D8/35**

[58] **Field of Search** **D8/18, 19, 33-43; 7/151-156; 30/400-404, 448**

[56] **References Cited**

U.S. PATENT DOCUMENTS

D. 296,753	7/1988	Tsuji et al.	D8/36
D. 308,159	5/1990	Stitzer	D8/35
D. 324,158	2/1992	Gildersleve	D8/36
D. 362,377	9/1995	Schweizer	D8/35

Primary Examiner—Caron D. Veynar

Attorney, Agent, or Firm—Barry E. Deutsch

[57] **CLAIM**

The ornamental design for a can opener, as shown and described.

DESCRIPTION

FIG. 1 is a perspective view taken from the front, top, and right side of a can opener illustrating our new design; FIG. 2 is a left side elevational view thereof; FIG. 3 is a front elevational view thereof; FIG. 4 is a right side elevational view thereof; FIG. 5 is a rear elevational view thereof; FIG. 6 is a top plan view thereof; FIG. 7 is a bottom plan view thereof; FIG. 8 is a right side elevational view of an alternative embodiment, the alternative embodiment omits the knife sharpener shown on the rear face of the can opener shown in FIGS. 1-7; FIG. 9 is a rear elevational view thereof; FIG. 10 is a left side elevational view thereof; and, FIG. 11 is a perspective view taken from the front, top, and right side of the embodiment shown in FIGS. 8-10.

1 Claim, 7 Drawing Sheets

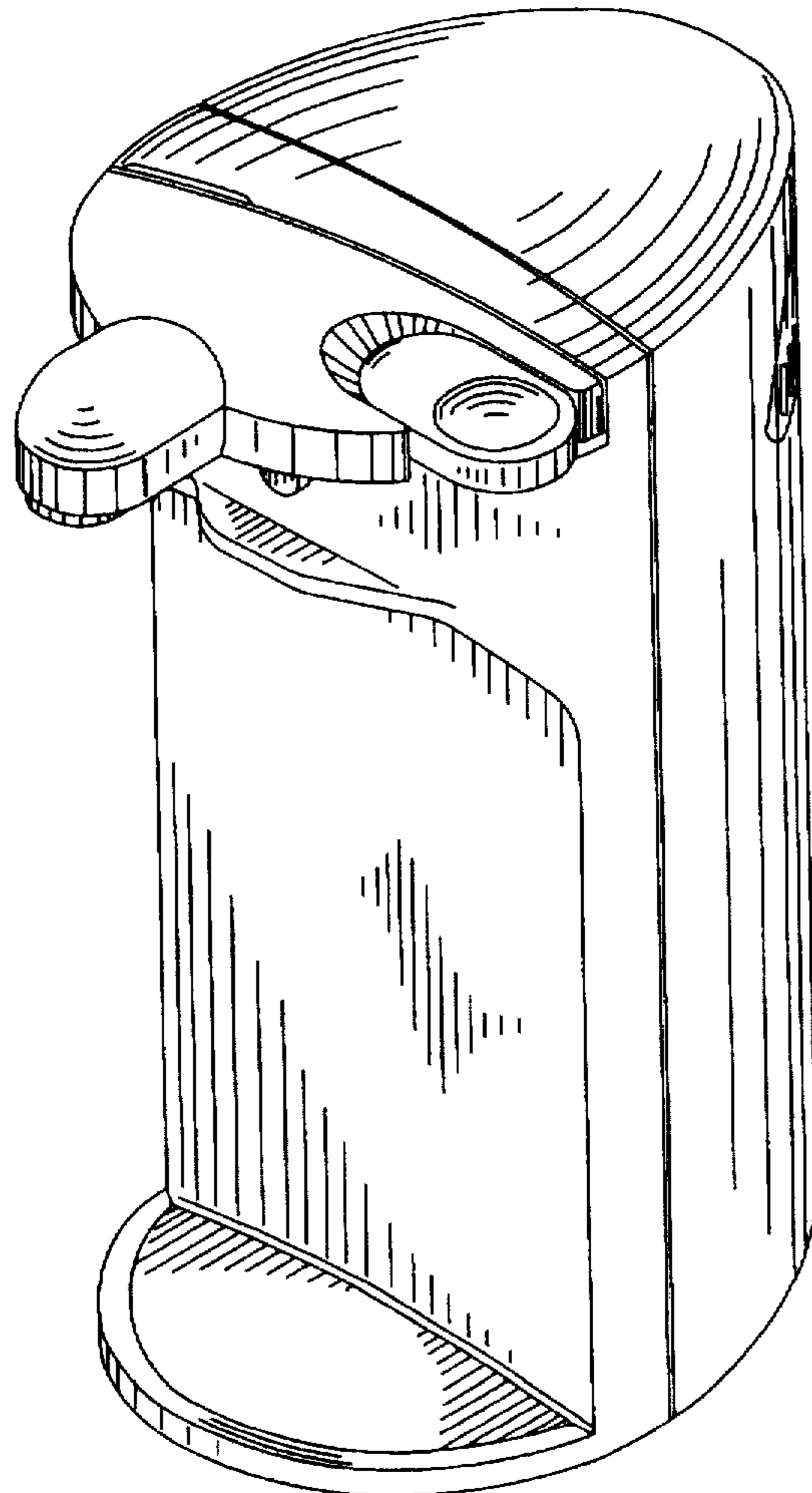
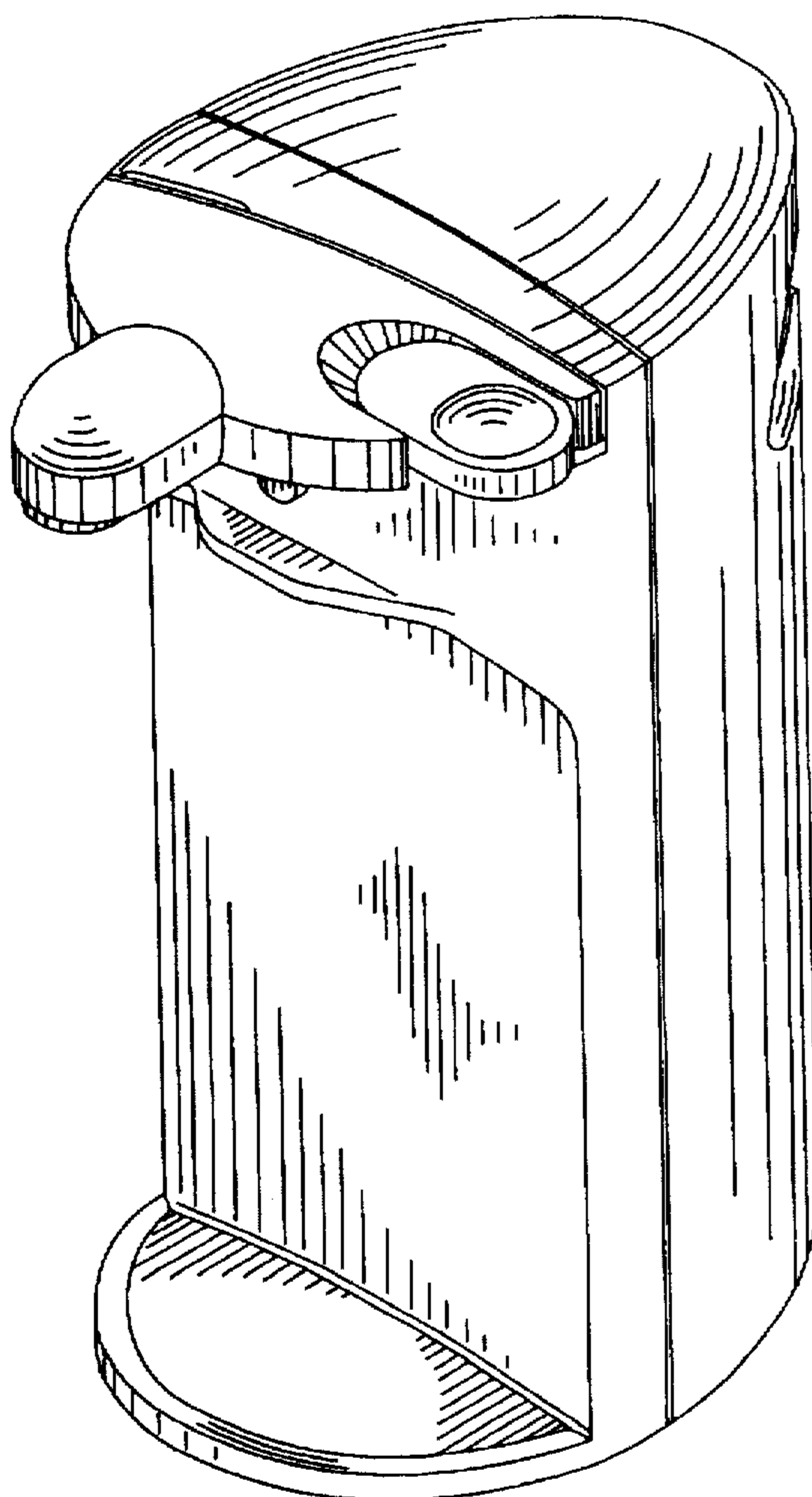
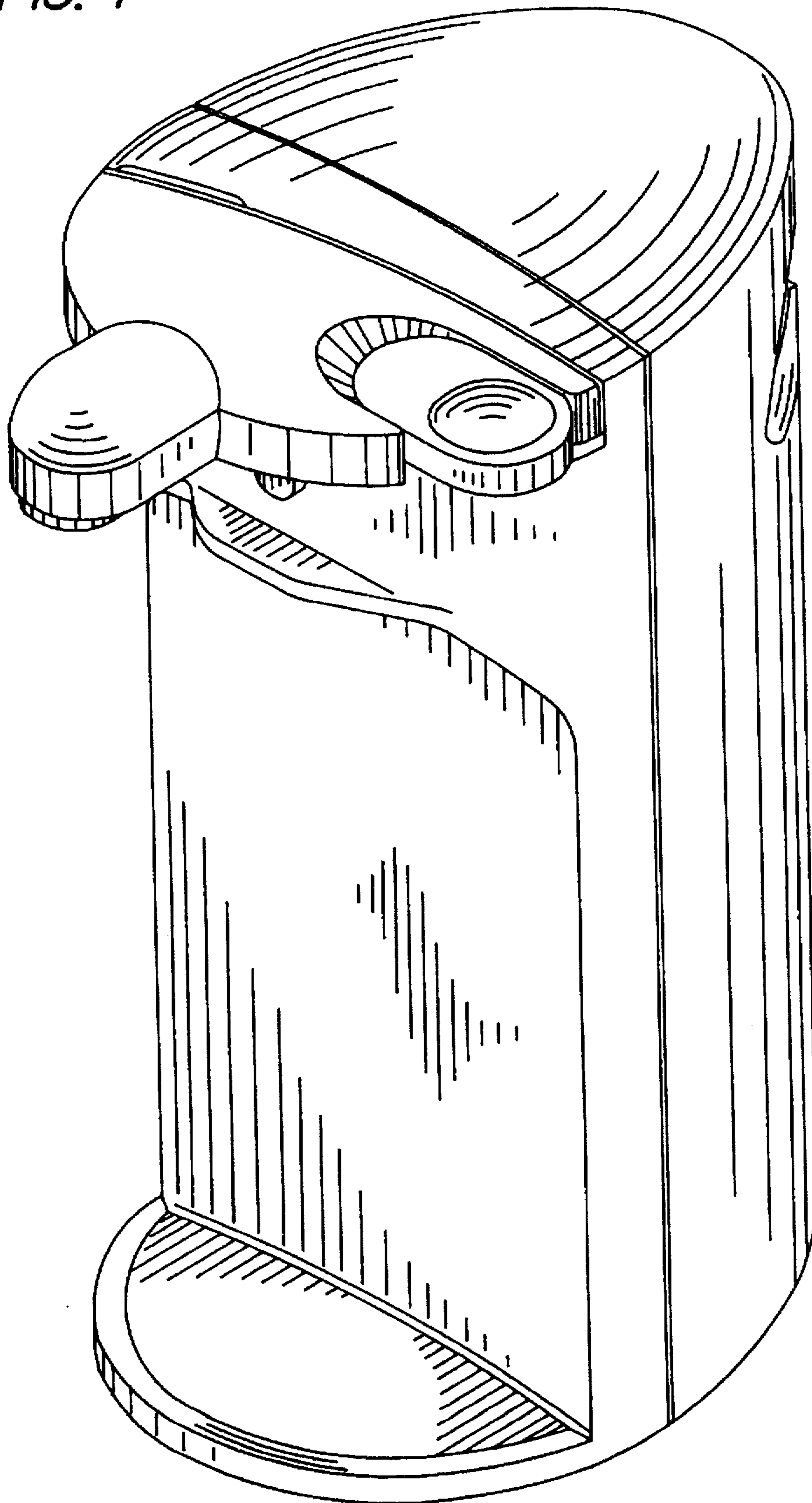


FIG. 1



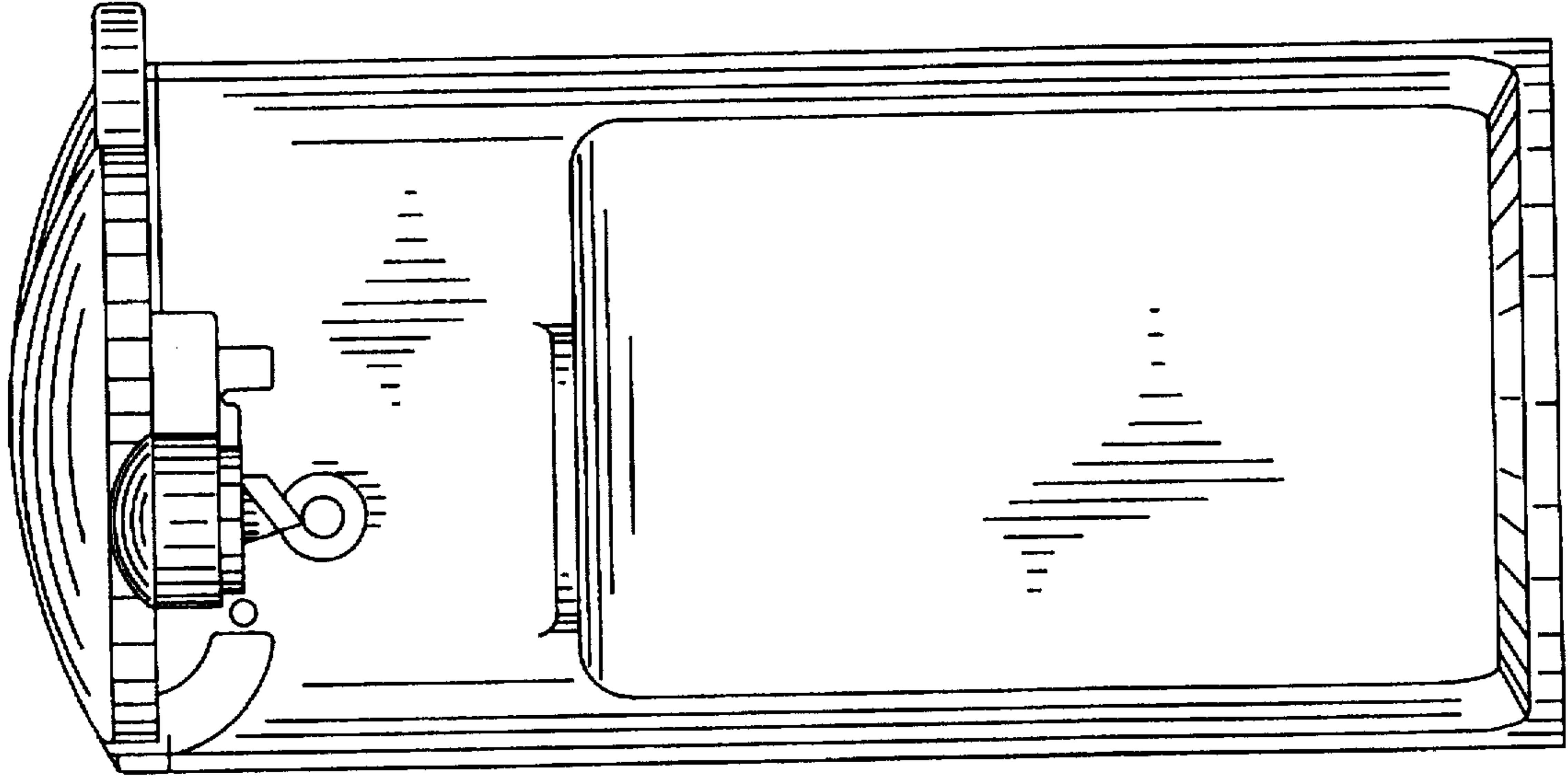


FIG. 3

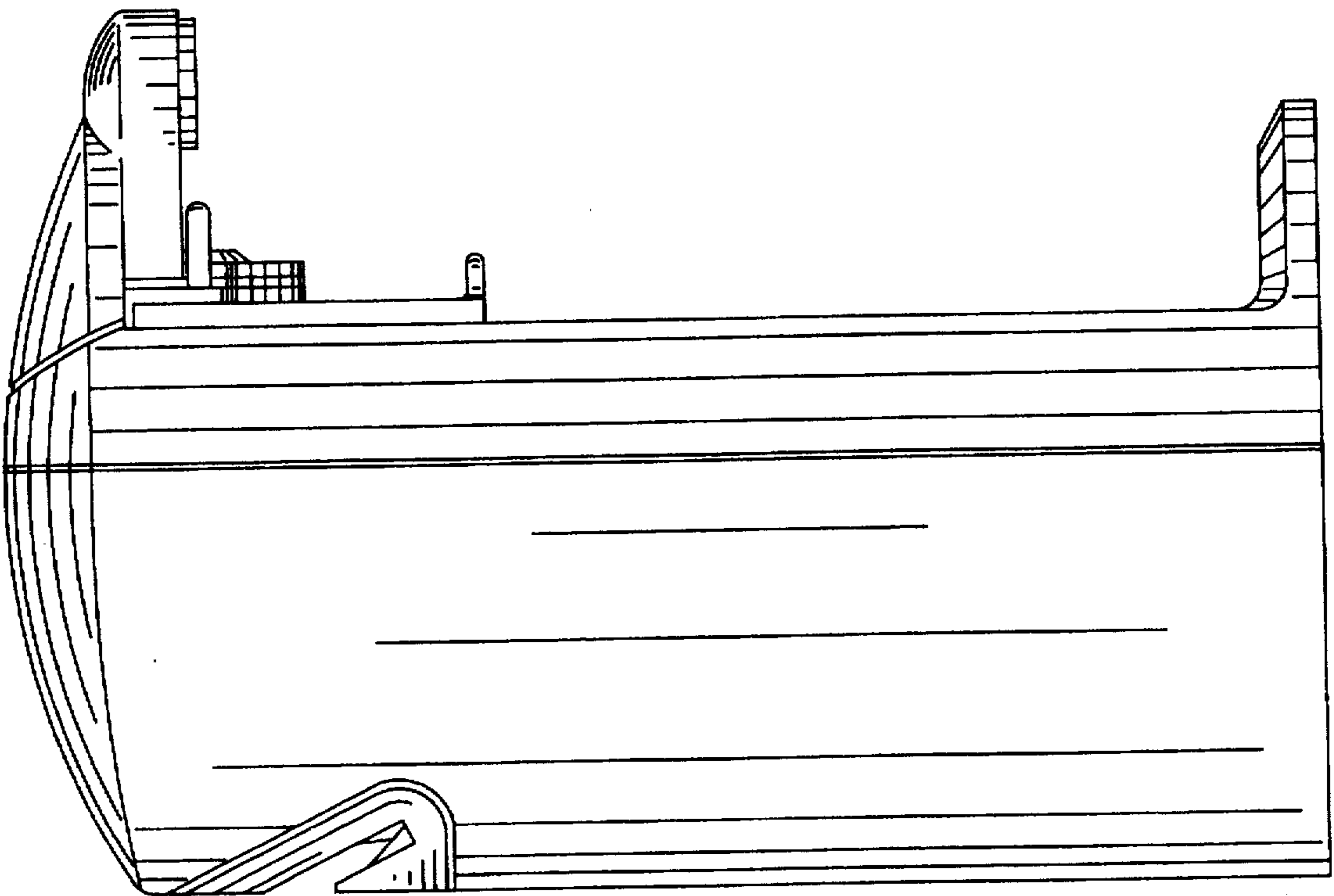


FIG. 2

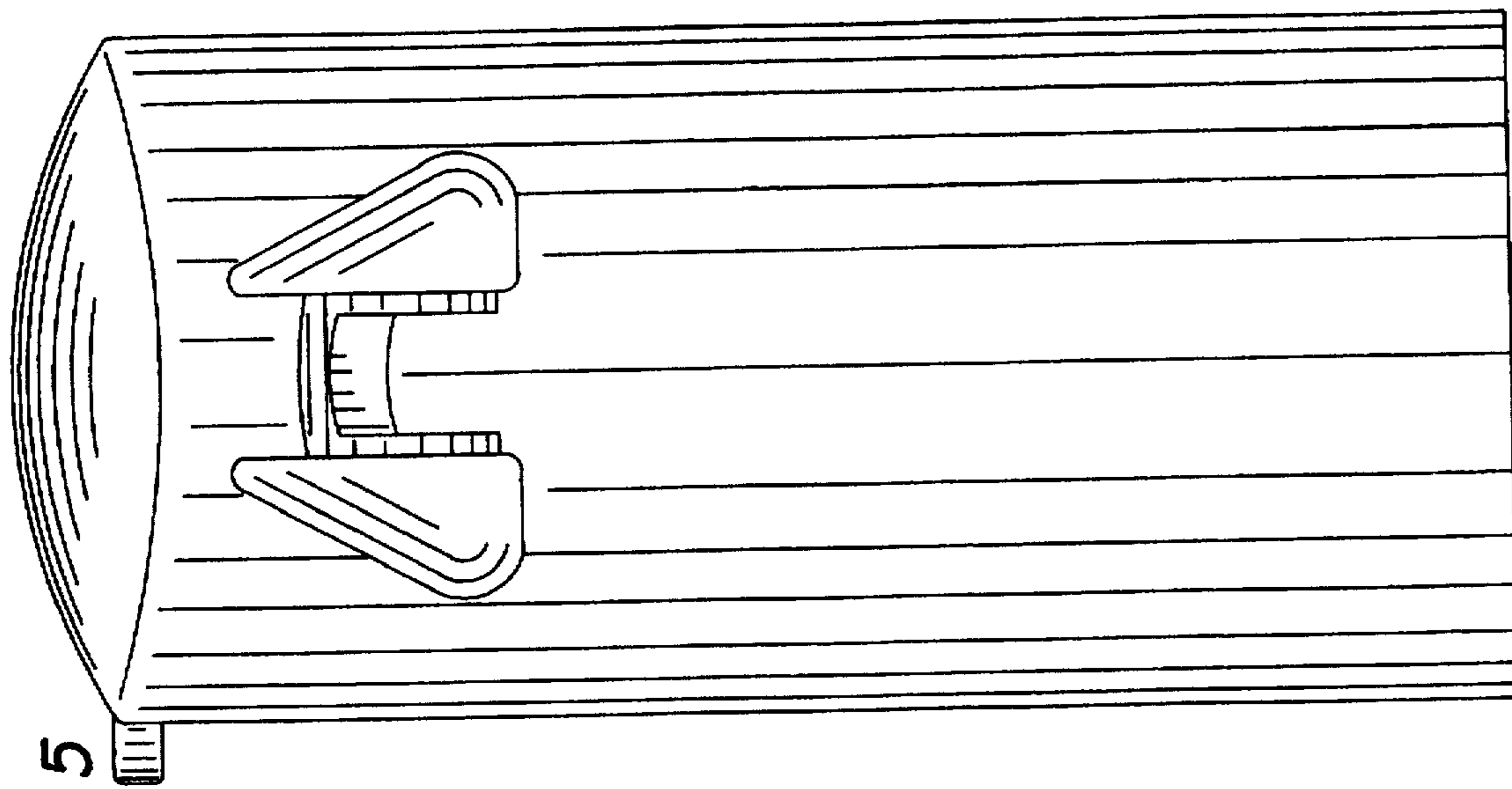


FIG. 5

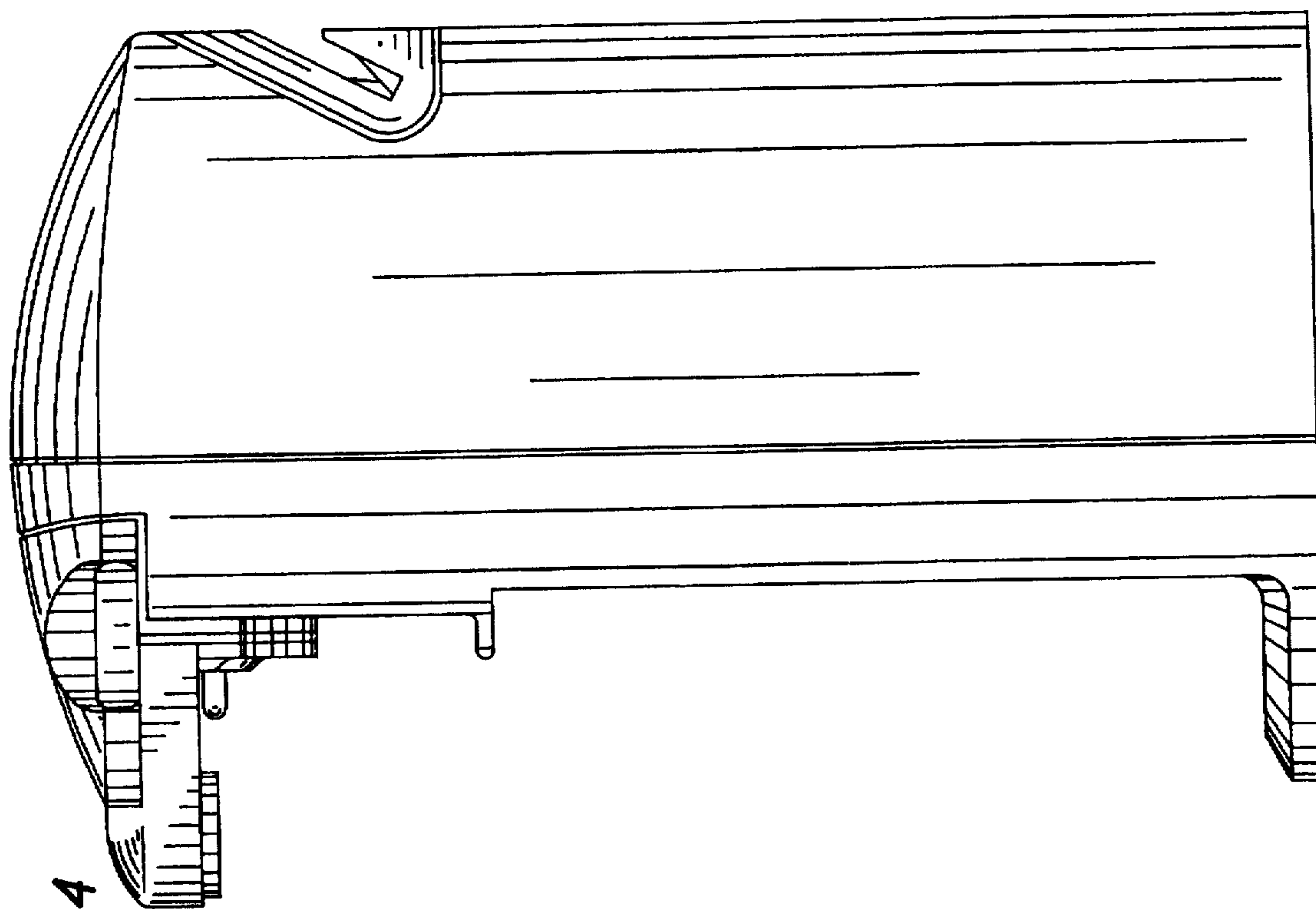


FIG. 4

FIG. 6

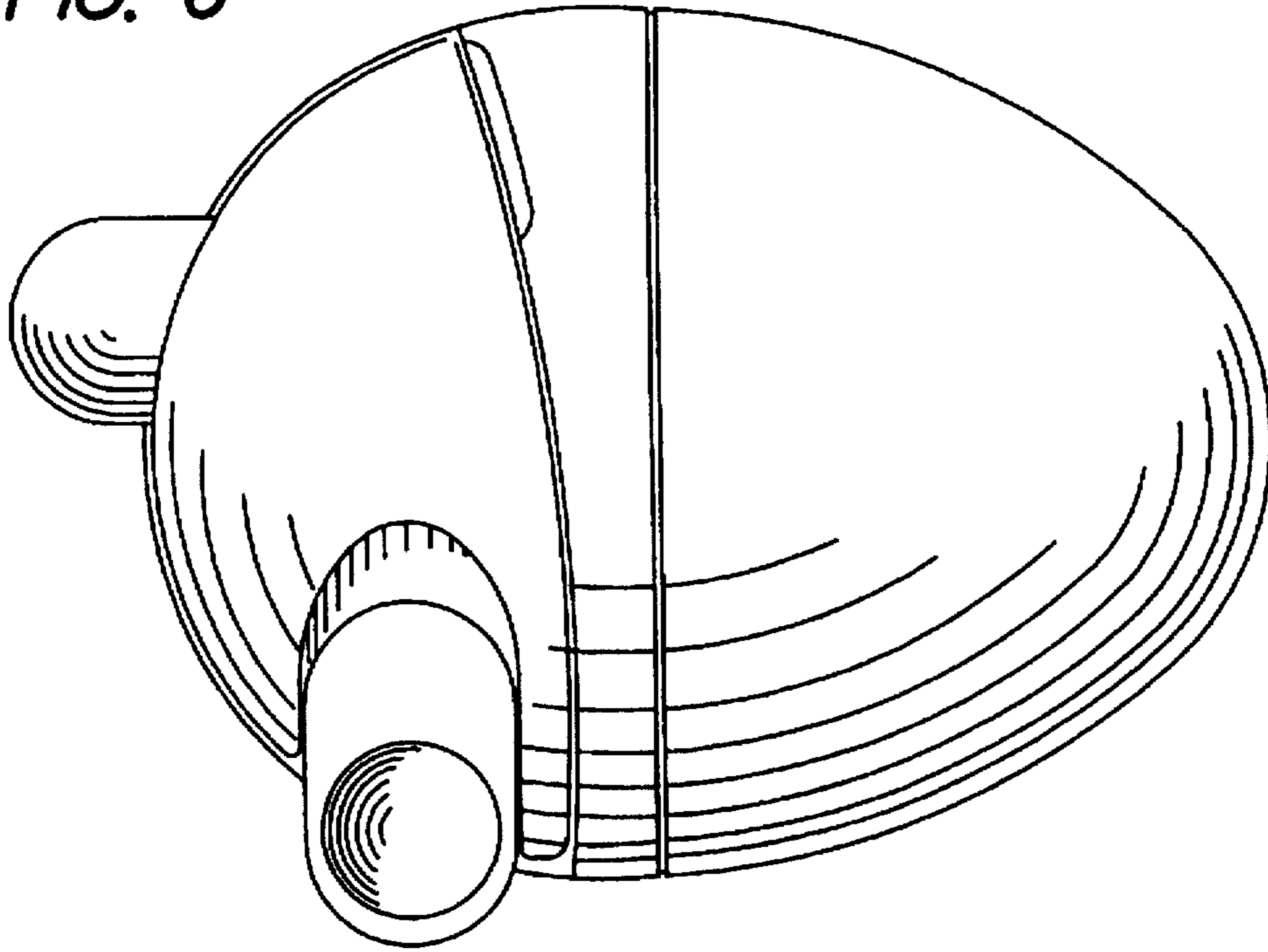
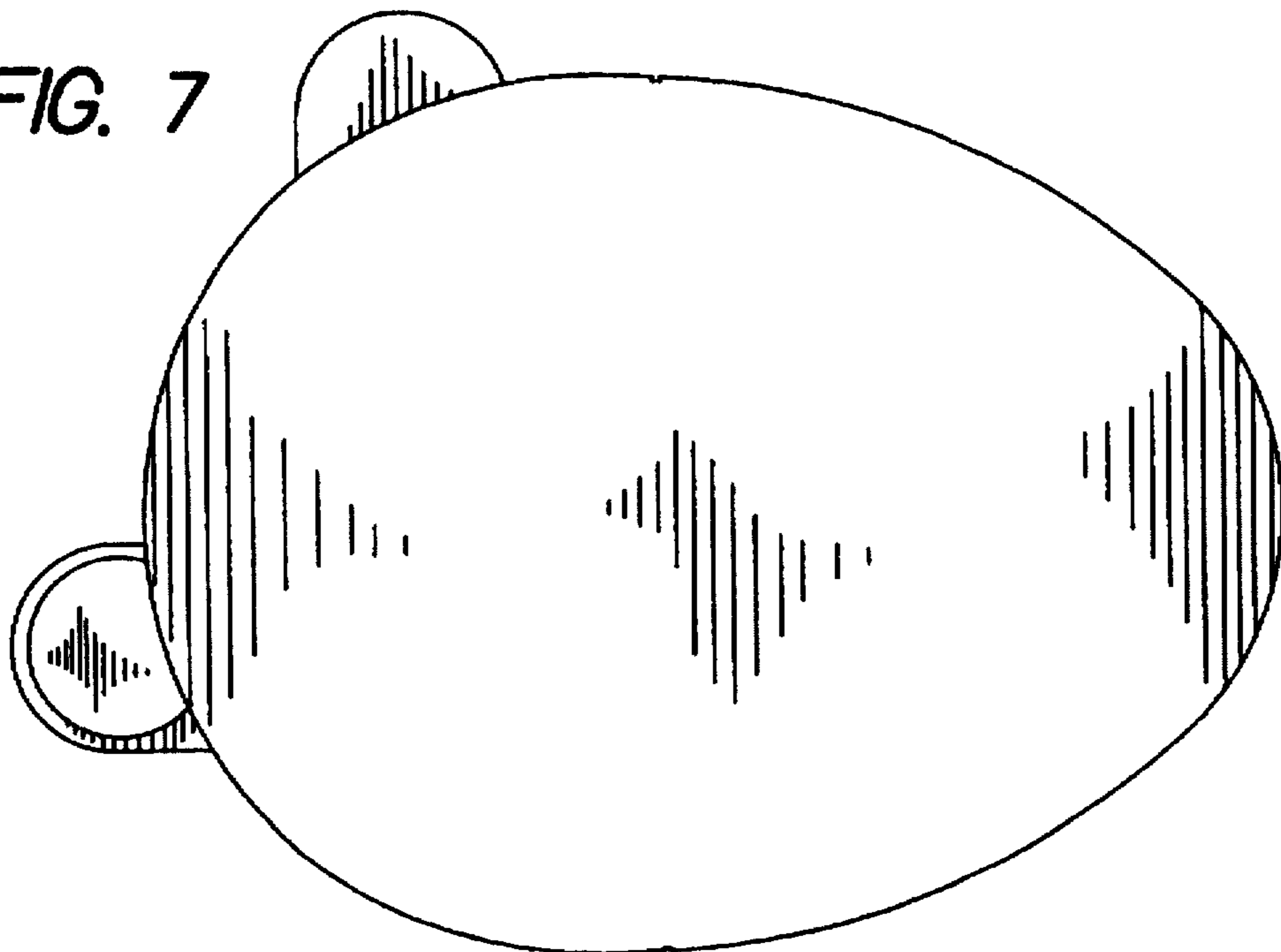


FIG. 7



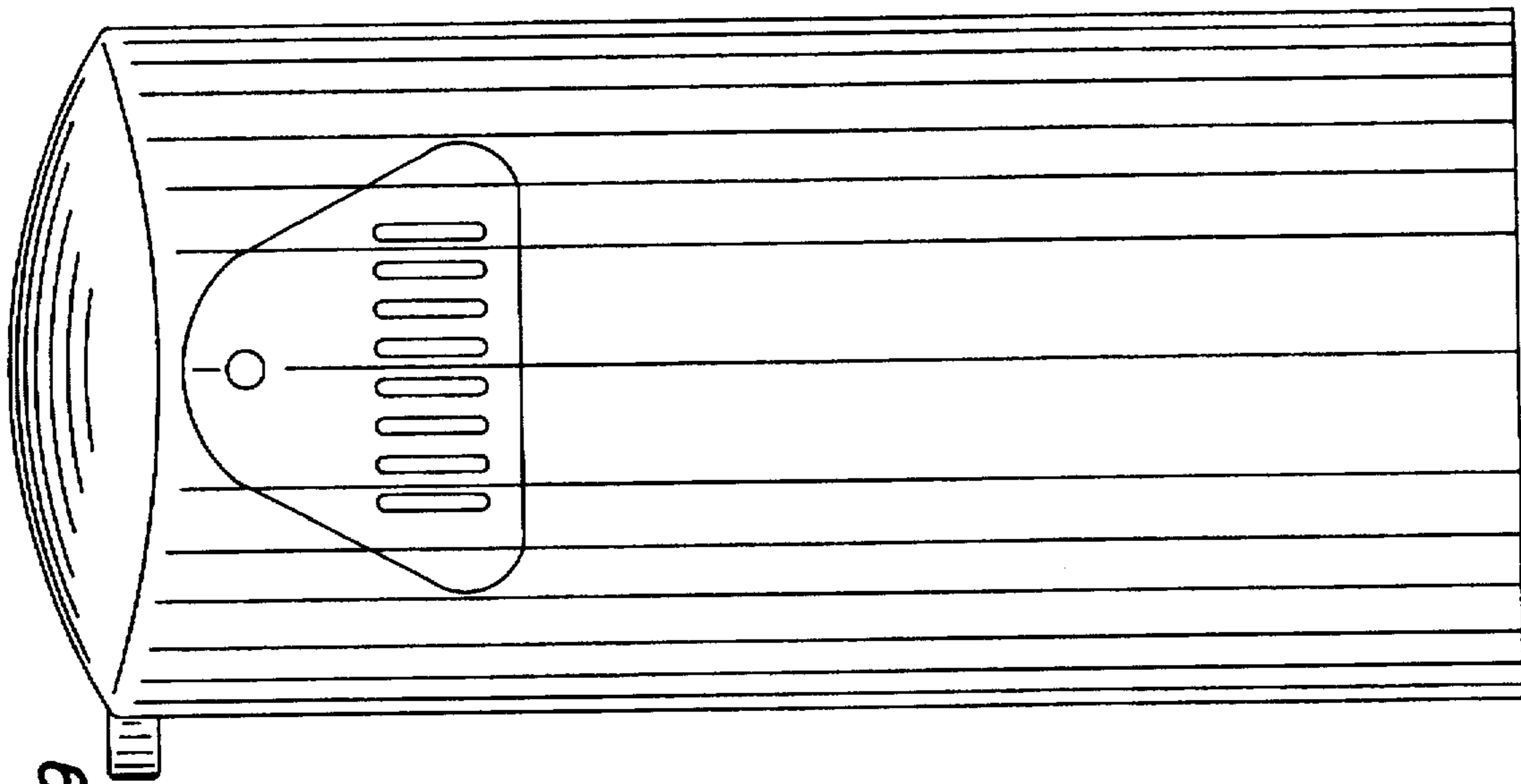


FIG. 9

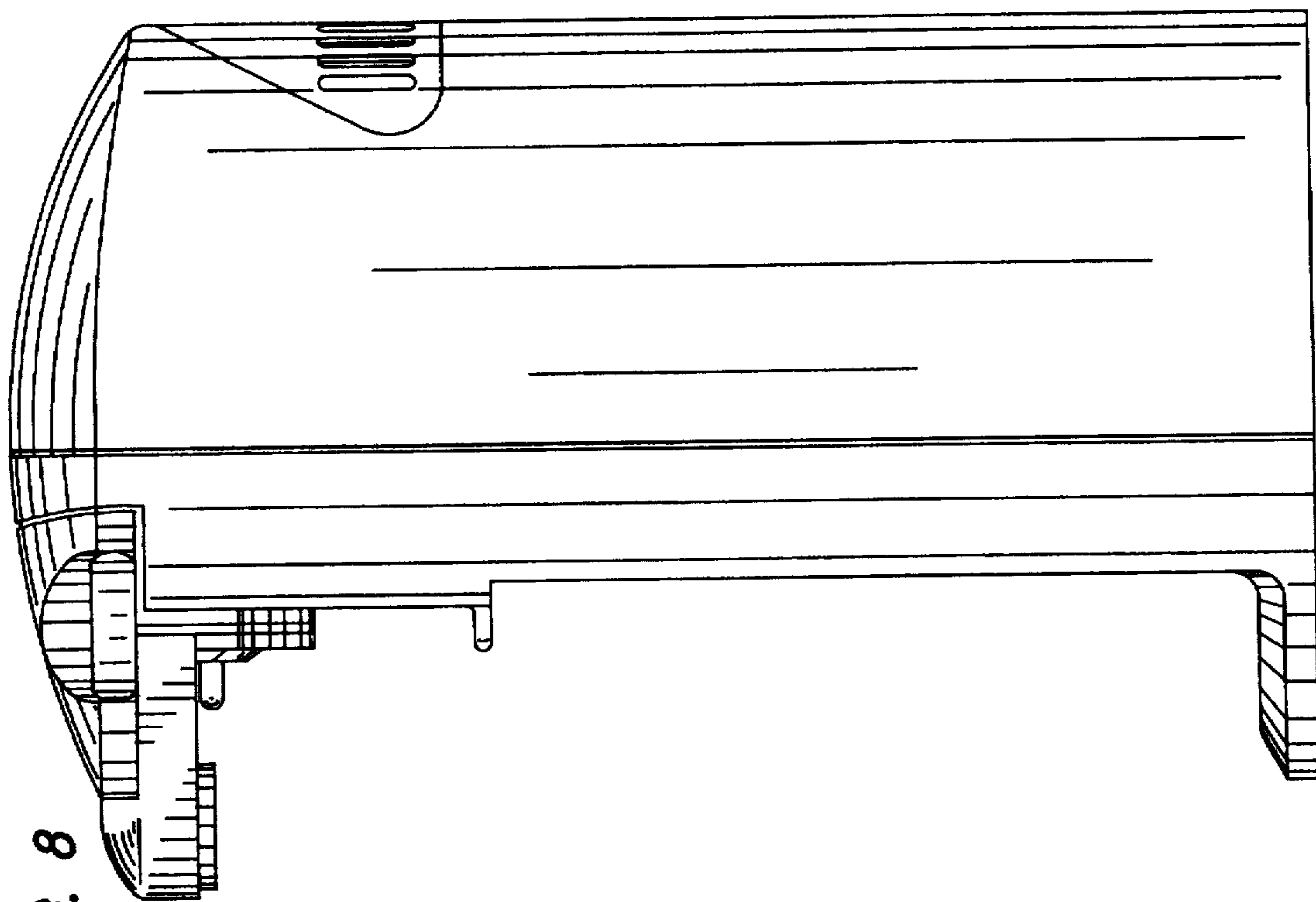


FIG. 8

FIG. 10

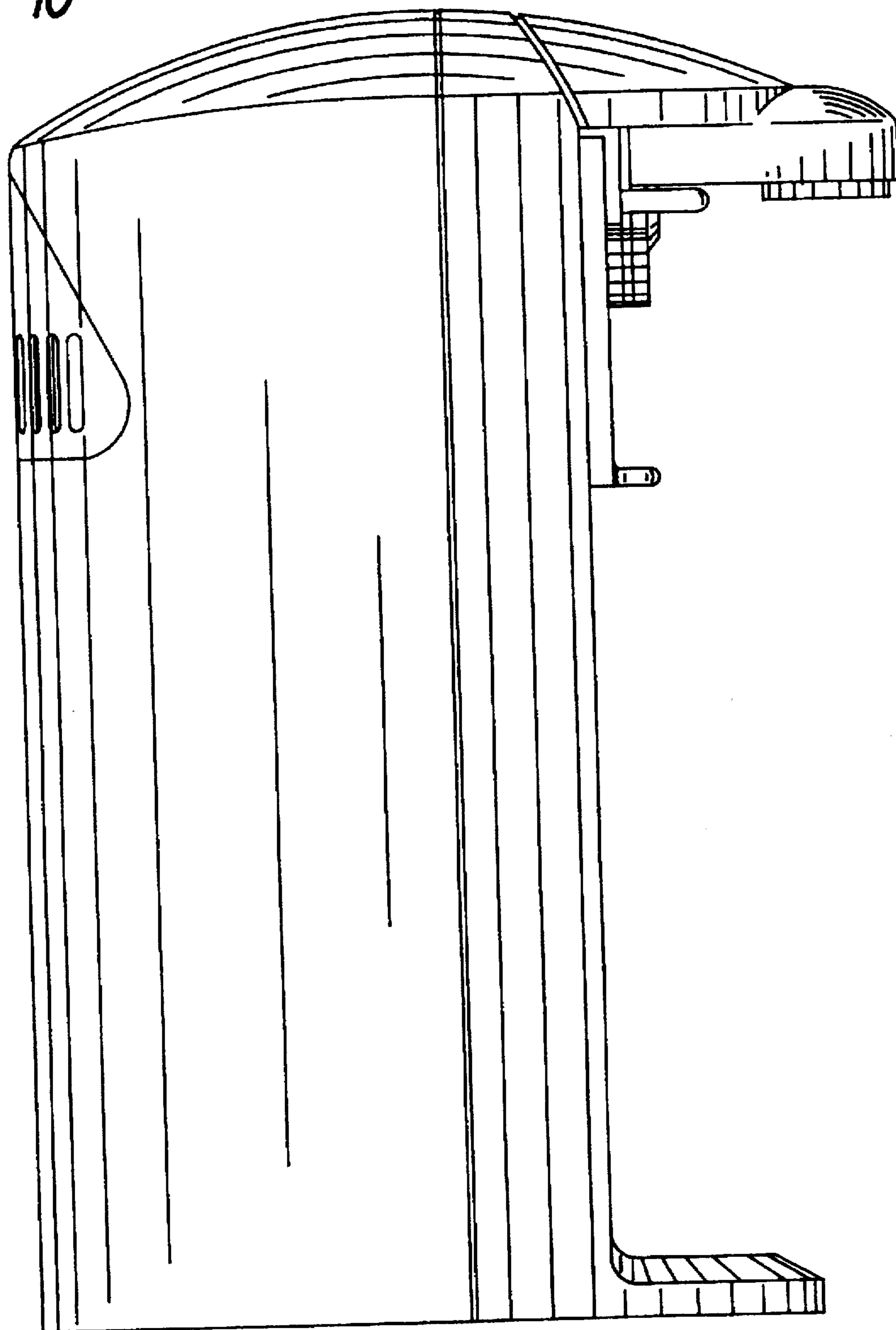


FIG. 11

