



US00D388667S

United States Patent [19]

Bickel et al.

[11] Patent Number: **Des. 388,667**

[45] Date of Patent: ****Jan. 6, 1998**

[54] **PLANT BRANCH SPREADER**

525,010 8/1894 Fuller D8/1 X
527,959 10/1894 Flesher 47/44 L

[76] Inventors: **Robert F. Bickel**, P.O. Box 723,
Preston, Wash. 98050; **Jerome H. Gerten**, 650 1st Ave. NE. #99,
Issaquah, Wash. 98027

Primary Examiner—Holly Baynham
Attorney, Agent, or Firm—Craine & Jackson, P.S.

[**] Term: **14 Years**

[57] CLAIM

The ornamental design for a plant branch spreader, as shown and described.

[21] Appl. No.: **53,477**

DESCRIPTION

[22] Filed: **Apr. 23, 1996**

[51] LOC (6) Cl. **08-01**

[52] U.S. Cl. **D8/1**

[58] Field of Search D8/1; 47/47, 46,
47/44, 43

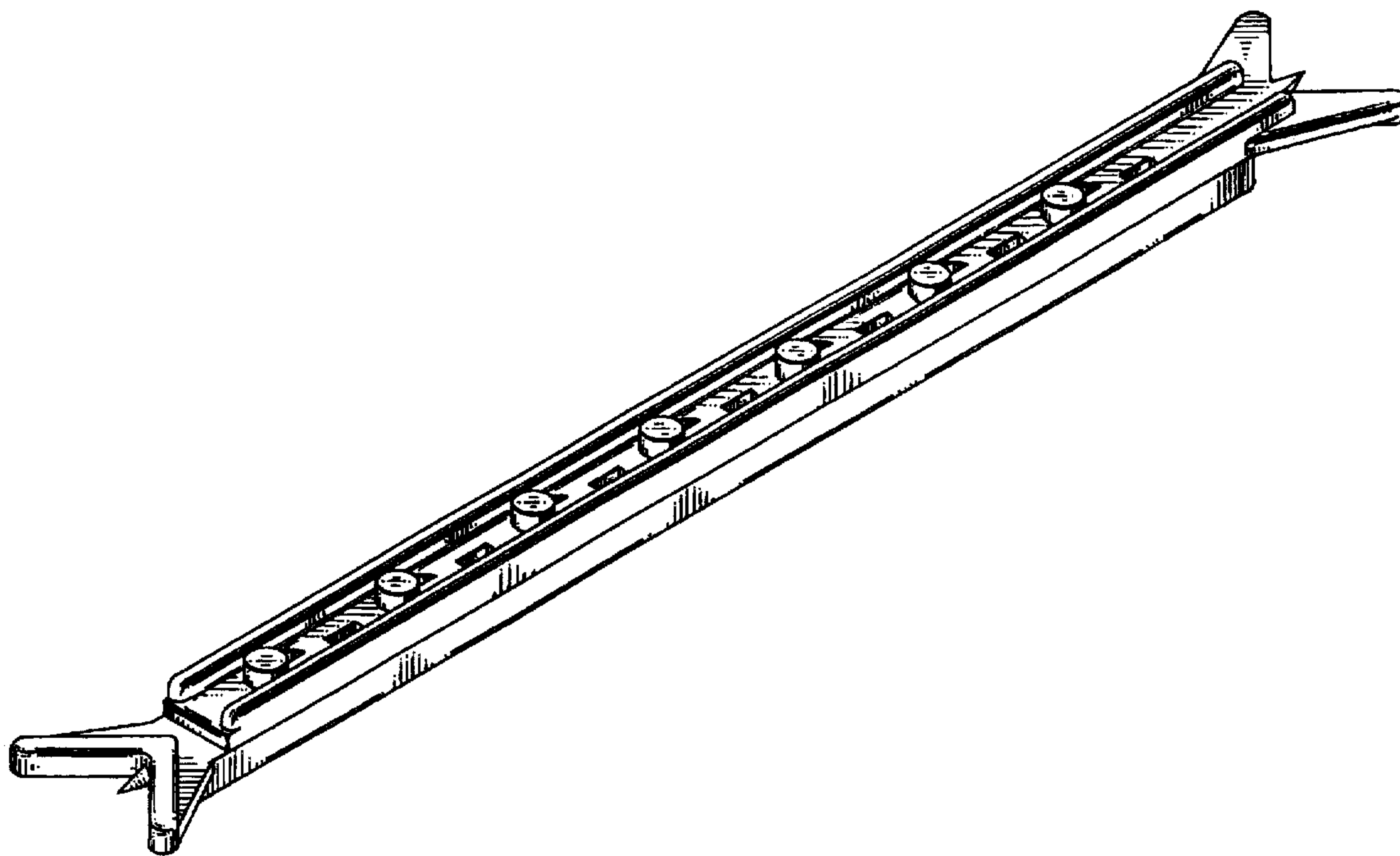
FIG. 1 is a perspective view of a plant branch spreader;
FIG. 2 is a top plan view of the invention;
FIG. 3 is a bottom plan view of the invention;
FIG. 4 is a right side elevational view of the invention;
FIG. 5 is a left side elevational view of the invention;
FIG. 6 is a front elevational view of the invention; and
FIG. 7 is a rear elevational view of the invention.

[56] References Cited

U.S. PATENT DOCUMENTS

D. 349,435 8/1994 Taylor D8/1

1 Claim, 1 Drawing Sheet



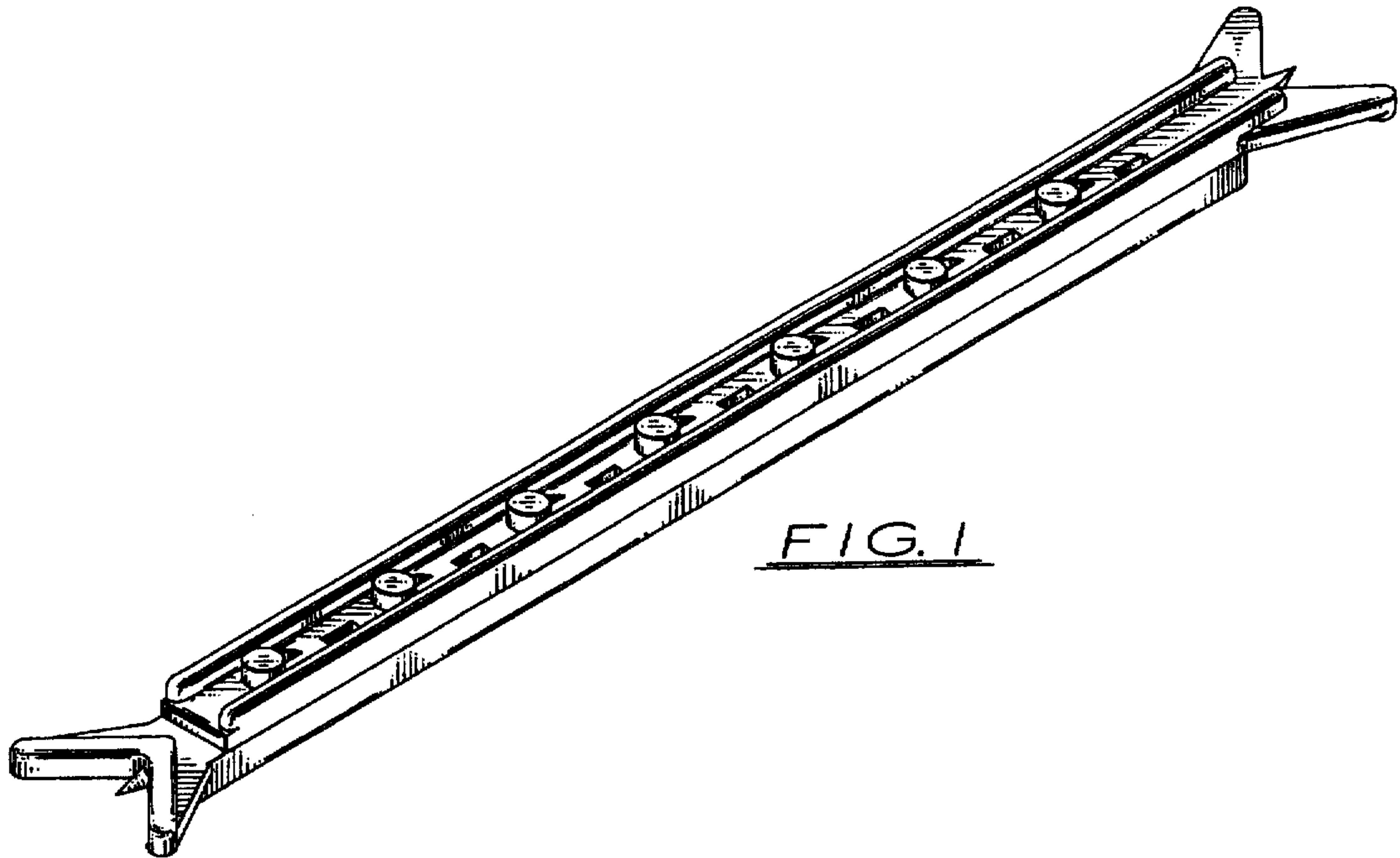


FIG. 1

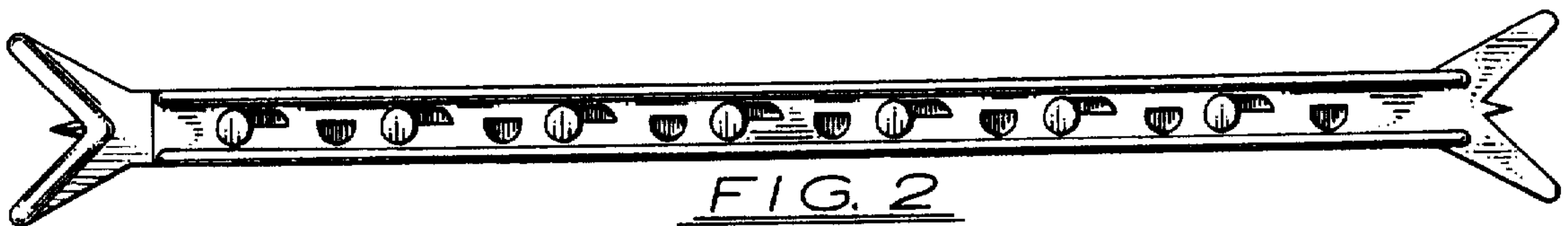


FIG. 2

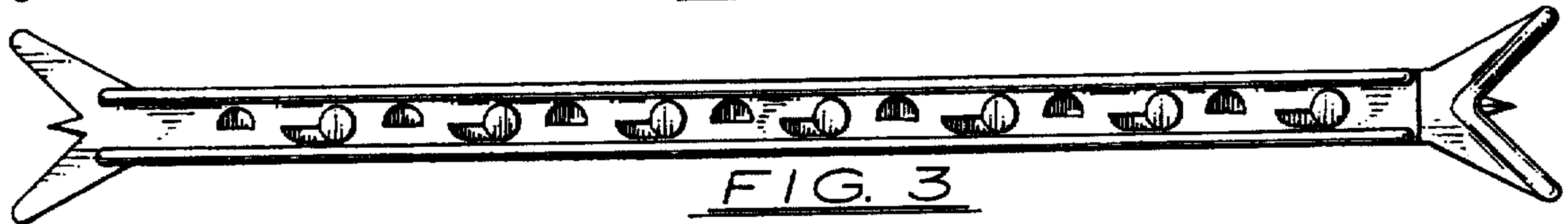


FIG. 3

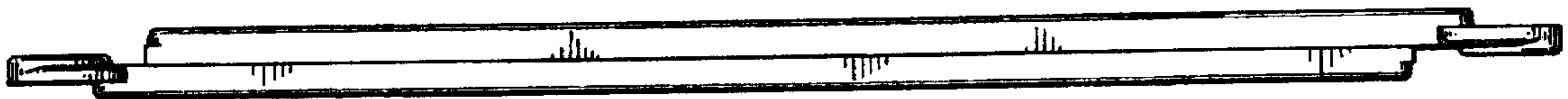


FIG. 4

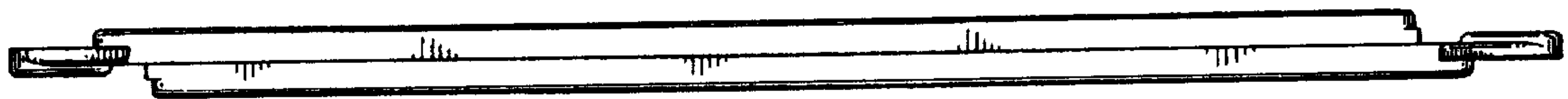


FIG. 5



FIG. 6



FIG. 7