



US00D388666S

United States Patent [19] Rausch

[11] Patent Number: **Des. 388,666**
[45] Date of Patent: ****Jan. 6, 1998**

- [54] LUNCH CONTAINER
- [75] Inventor: **Kevin Rausch**, Wooster, Ohio
- [73] Assignee: **Rubbermaid Specialty Products Inc.**,
Wooster, Ohio
- [**] Term: **14 Years**
- [21] Appl. No.: **62,301**
- [22] Filed: **Nov. 12, 1996**
- [51] LOC (6) Cl. **11-02**
- [52] U.S. Cl. **D7/710; D3/271; D7/606**
- [58] Field of Search **D7/605, 606, 709,**
D7/710; D3/235, 270, 271; 62/457.1, 457.7,
371; 206/545, 548, 549, 541, 457

[56] **References Cited**

U.S. PATENT DOCUMENTS

D. 324,154	2/1992	Embree	D7/605
D. 324,302	3/1992	Schneck	D3/271
D. 341,294	11/1993	Doxey	D7/626
D. 344,851	3/1994	Thomas	D3/271
D. 344,877	3/1994	Doxey	D7/709
D. 349,633	8/1994	Krupa	.	
D. 359,621	6/1995	Spangler	D3/271 X
2,672,232	3/1954	Kessell, Jr.	206/4
5,054,611	10/1991	Russomanno et al.	206/45.28
5,366,106	11/1994	Kahl	220/555
5,427,265	6/1995	Cautereels et al.	220/318

OTHER PUBLICATIONS

Advertisement for Metrokane, Lunch containers; "Housewares Furnishings Daily", A Capital/ABC Company, 7 West 34th Street, New York, NY 10021. Publication date May 28, 1990.

Catalog page, Lunch containers; Manuli Plast SPA, Viale Pelle Industrie, 15, 20040 Caponago Milano, Italy, Published at least as early as May, 1992.

Pp. 3-9, Lunch containers. Rubbermaid Specialty Products Inc., 1147 Akron Road, Wooster, Ohio 44691. Publication date 1991.

Catalog page, Lunch containers; Rubbermaid Specialty Products Inc., 1147 Akron Road, Wooster, Ohio 44691. Publication date 1995.

Catalog page, Lunch containers; Rubbermaid Specialty Products Inc., 1147 Akron Road, Wooster, Ohio 44691. Publication date 1995.

Catalog page, Lunch containers; A.K. Das & Co. Kinder Collection, 1809 1/2 North Orangethorp Park, Anaheim, California 92801. Published at least as early as May, 1992.

Primary Examiner—Terry A. Wallace
Attorney, Agent, or Firm—Richard B. O'Planick; Lisa B. Riedesel

[57] **CLAIM**

The ornamental design for a lunch container, as shown and described.

DESCRIPTION

FIG. 1 is a top right front perspective view of a lunch container showing my new design;
FIG. 2 is a front elevational view thereof;
FIG. 3 is a left side elevational view thereof;
FIG. 4 is a rear elevational view thereof;
FIG. 5 is a right side elevational view thereof;
FIG. 6 is a top plan view thereof; and,
FIG. 7 is a bottom plan view thereof.

1 Claim, 4 Drawing Sheets



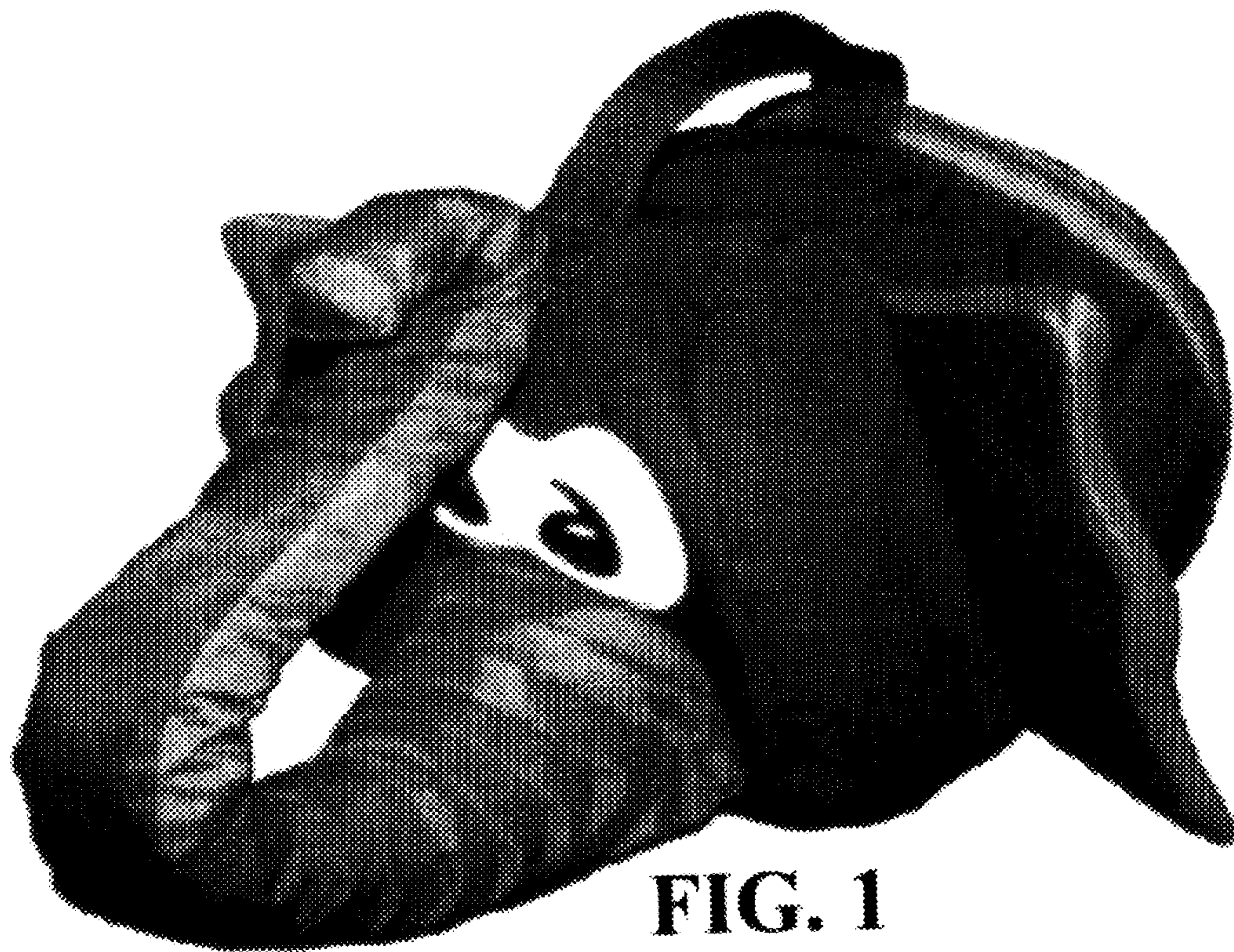


FIG. 1

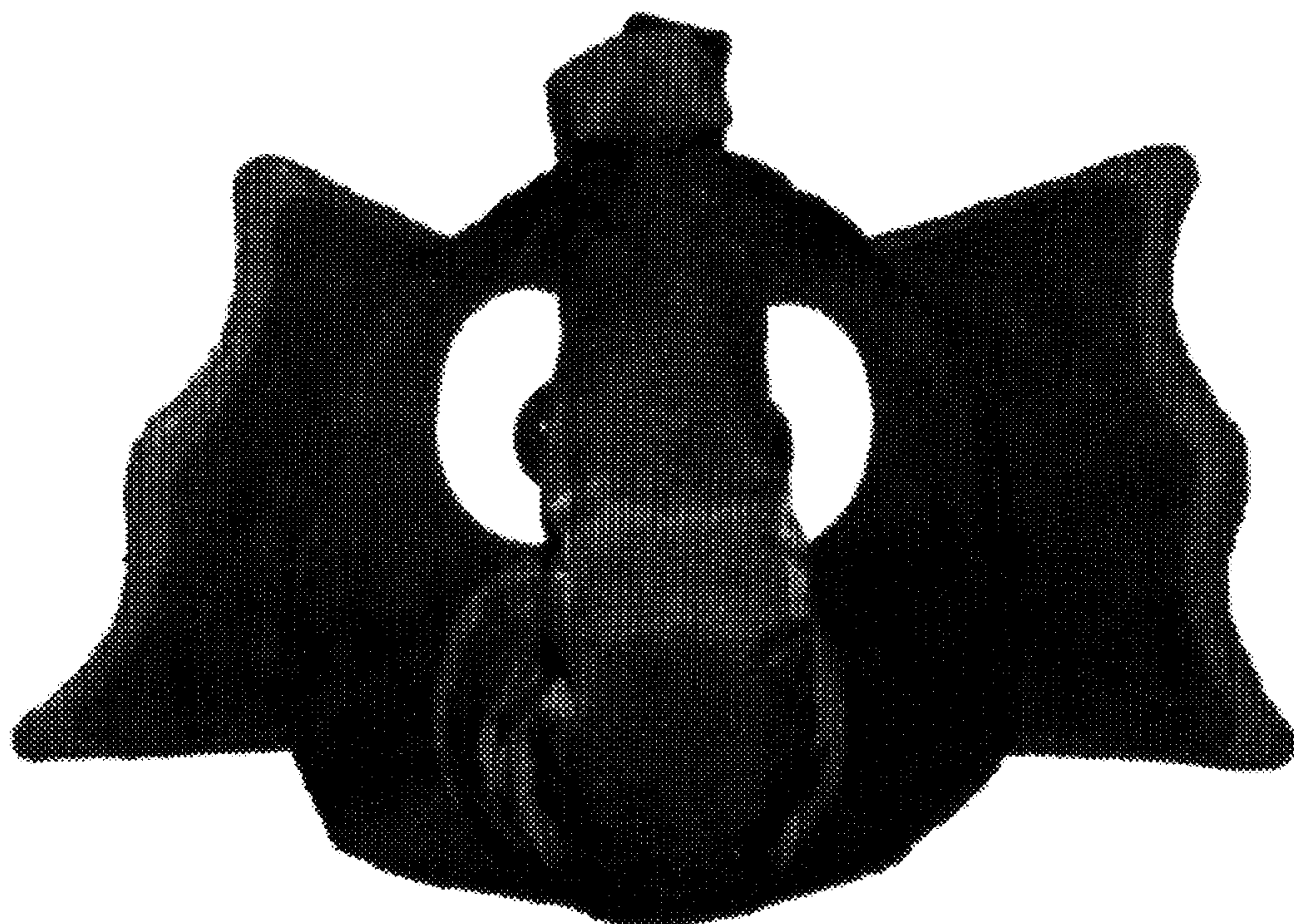


FIG. 2



FIG. 3

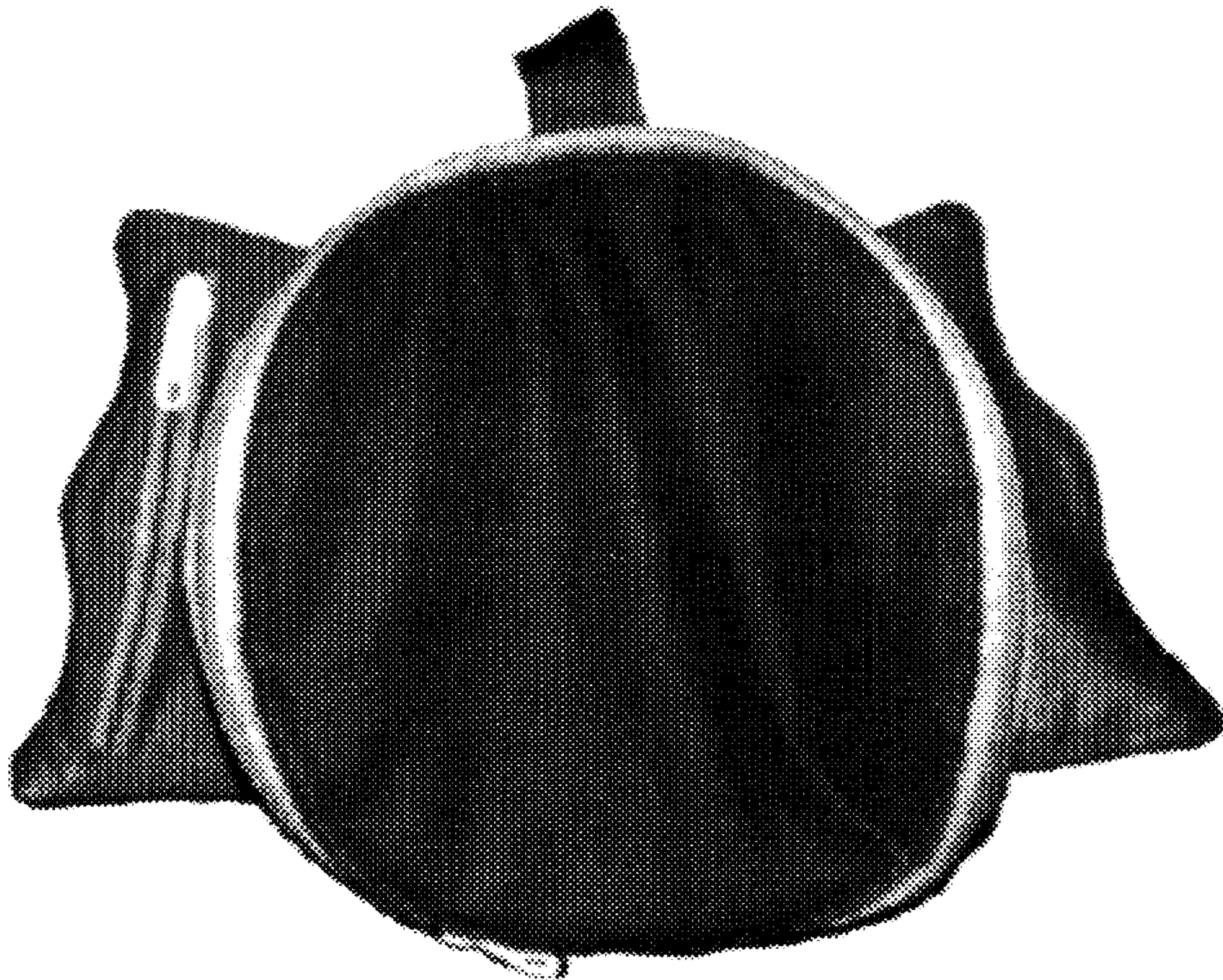


FIG. 4



FIG. 5

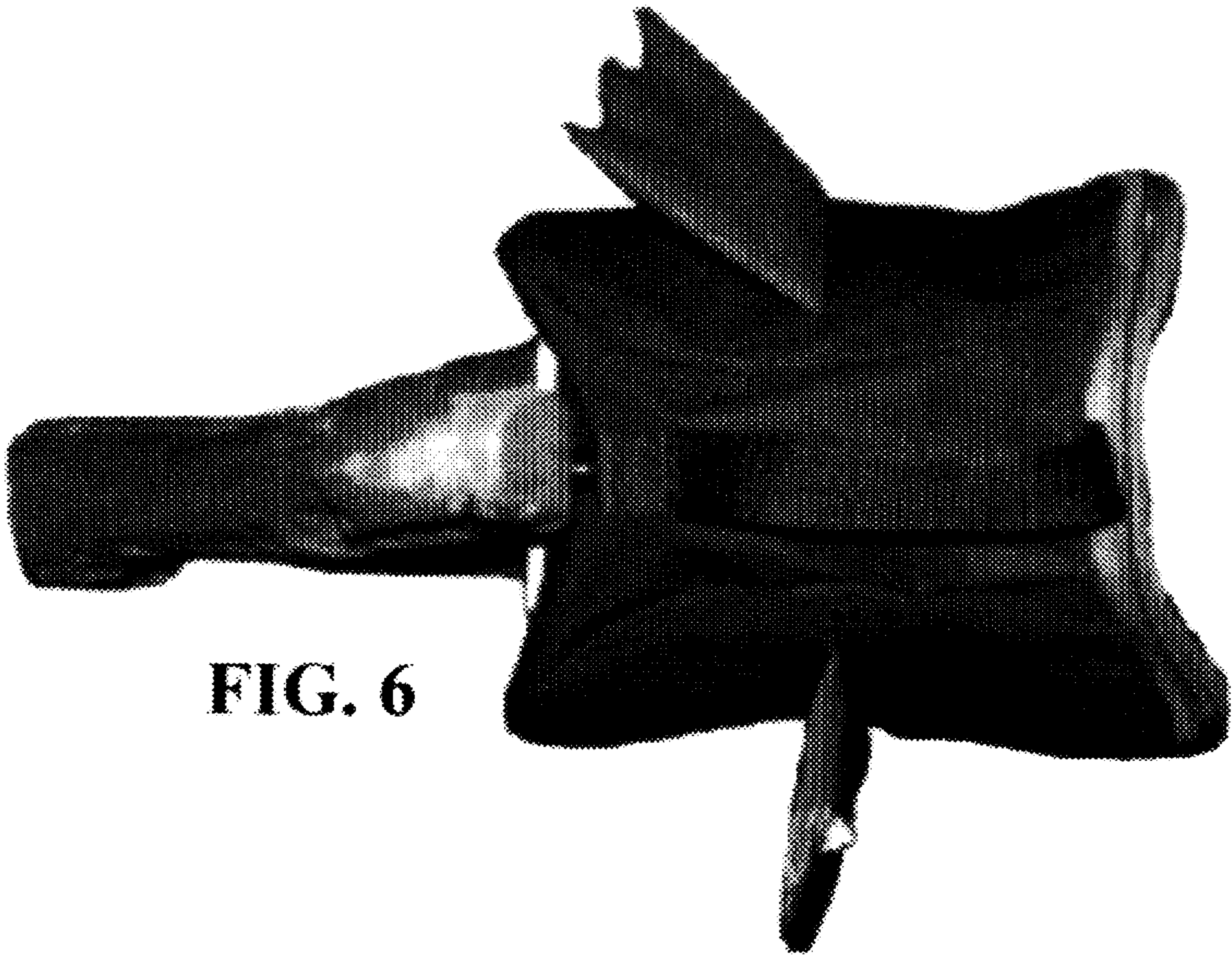


FIG. 6

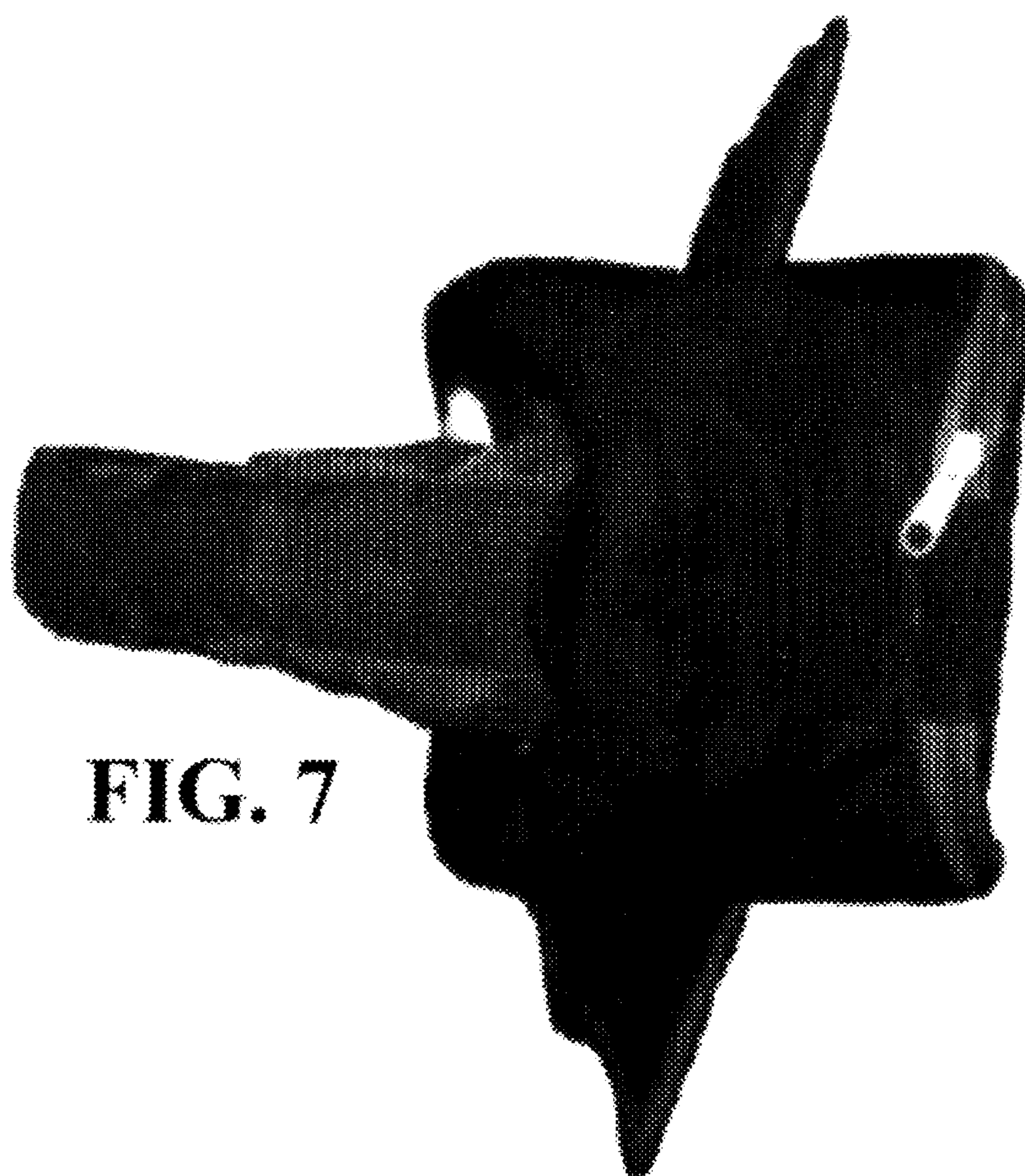


FIG. 7