



US00D388665S

United States Patent [19]

So

[11] Patent Number: **Des. 388,665**

[45] Date of Patent: ****Jan. 6, 1998**

[54] CUTTING DEVICE

[75] Inventor: **Shun So, Kowloon, Hong Kong**

[73] Assignee: **Ki Mee Kitchenware, Ltd., Kowloon, Hong Kong**

[**] Term: **14 Years**

[21] Appl. No.: **46,305**

[22] Filed: **Nov. 13, 1995**

[30] Foreign Application Priority Data

May 17, 1995 [GB] United Kingdom 2047515

[51] LOC (6) Cl. **07-04**

[52] U.S. Cl. **D7/673; D7/381**

[58] Field of Search **D7/673, 381; 30/114, 30/115; 83/404.3, 662, 856, 857; 99/537, 538**

[56] References Cited

U.S. PATENT DOCUMENTS

D. 193,754 10/1962 Popeil .

3,112,781	12/1963	Popeil	146/169
3,208,309	9/1965	Popeil	76/101
3,216,474	11/1965	Popeil	146/78
3,800,649	4/1974	Chinn	D7/673 X
4,062,260	12/1977	Steinhogl	D7/673 X

Primary Examiner—Terry A. Wallace
Attorney, Agent, or Firm—Rosen, Dainow & Jacobs, L.L.P.

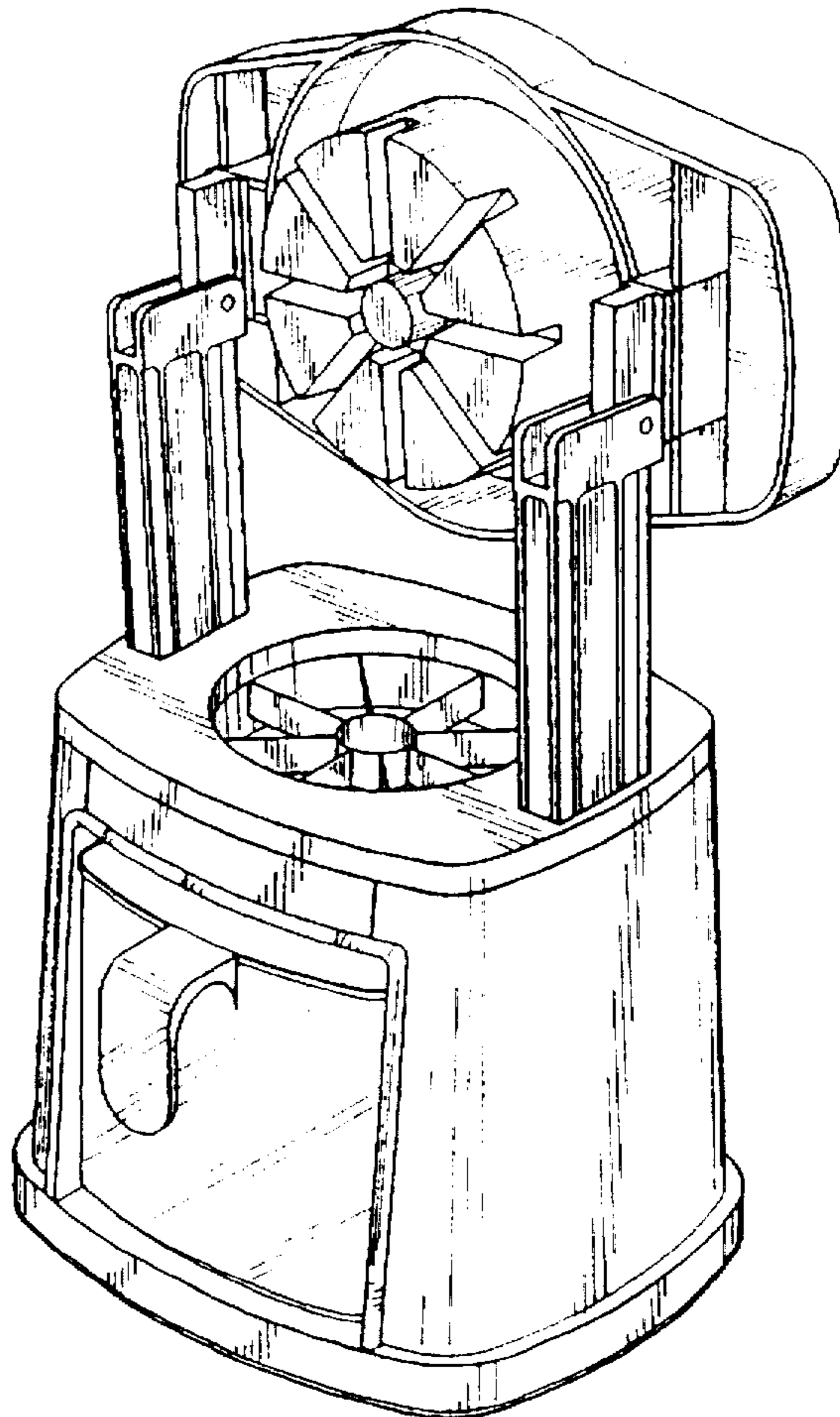
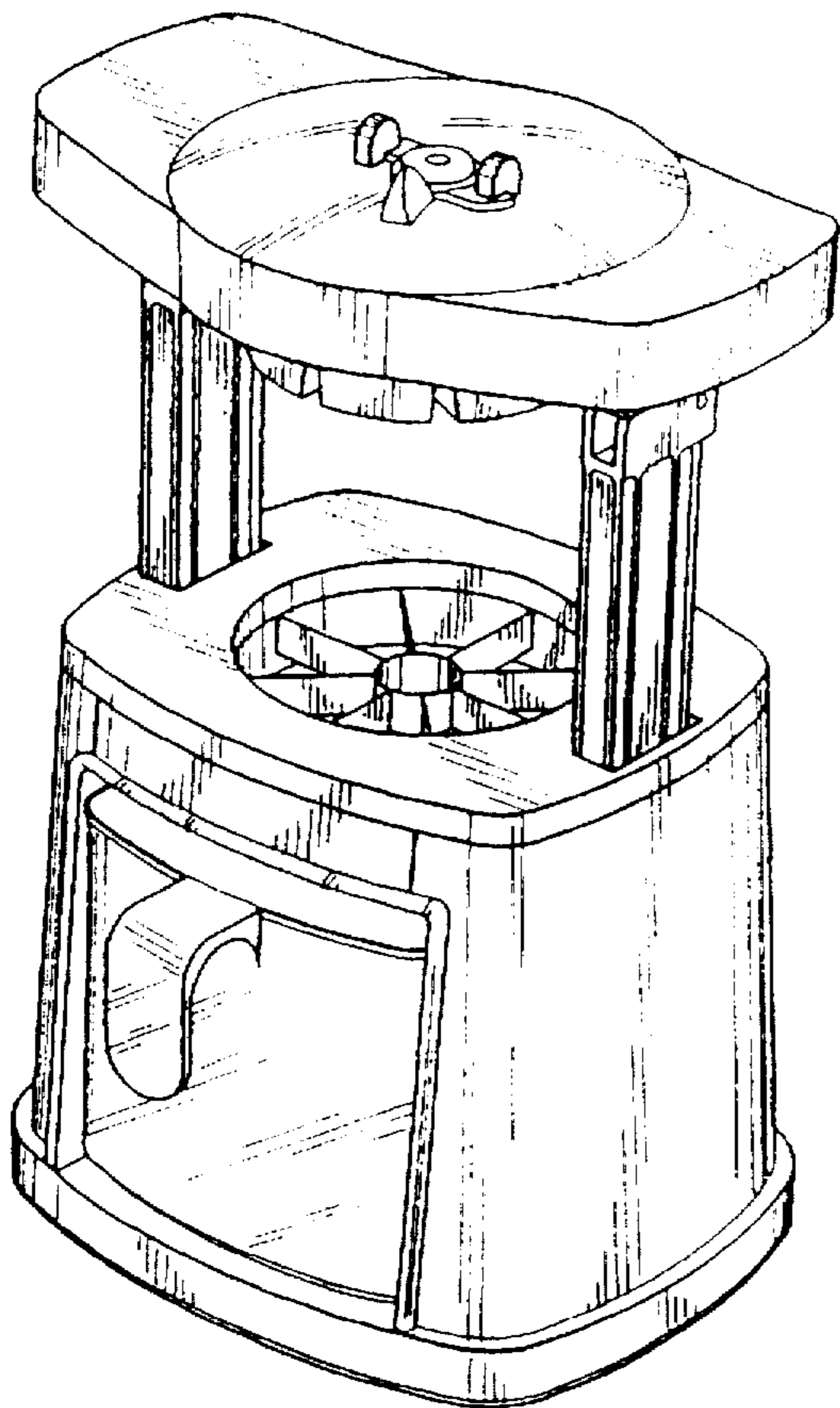
[57] CLAIM

The ornamental design for a cutting device, as shown and described.

DESCRIPTION

FIG. 1 is a perspective view of a cutting device showing my new design;
FIG. 2 is a top plan view thereof;
FIG. 3 is a front elevation view thereof;
FIG. 4 is a rear elevation view thereof;
FIG. 5 is a bottom plan view thereof;
FIG. 6 is a right side elevation view thereof;
FIG. 7 is a left side elevation view thereof; and,
FIG. 8 is a perspective view thereof in an alternate position.

1 Claim, 5 Drawing Sheets



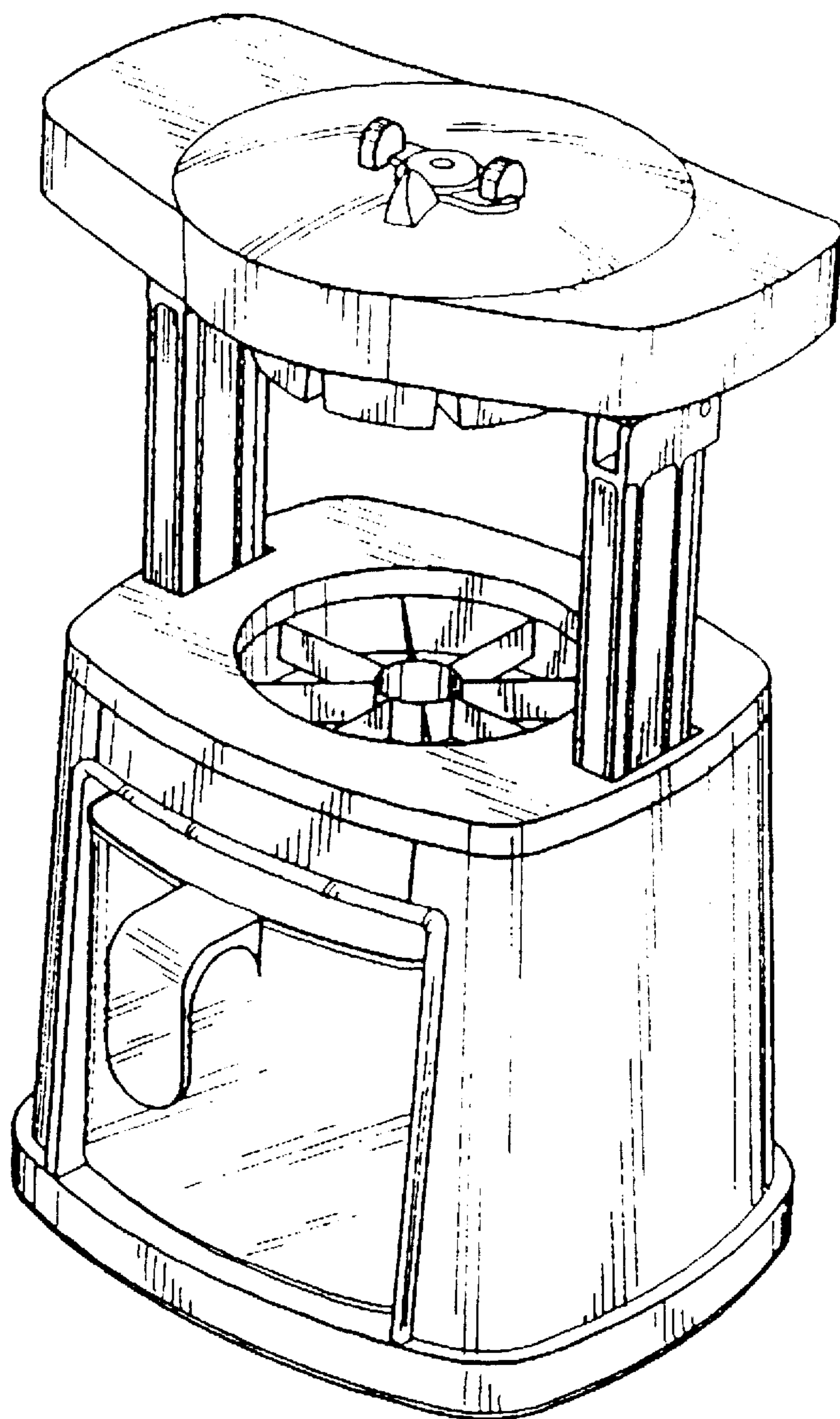


FIGURE 1

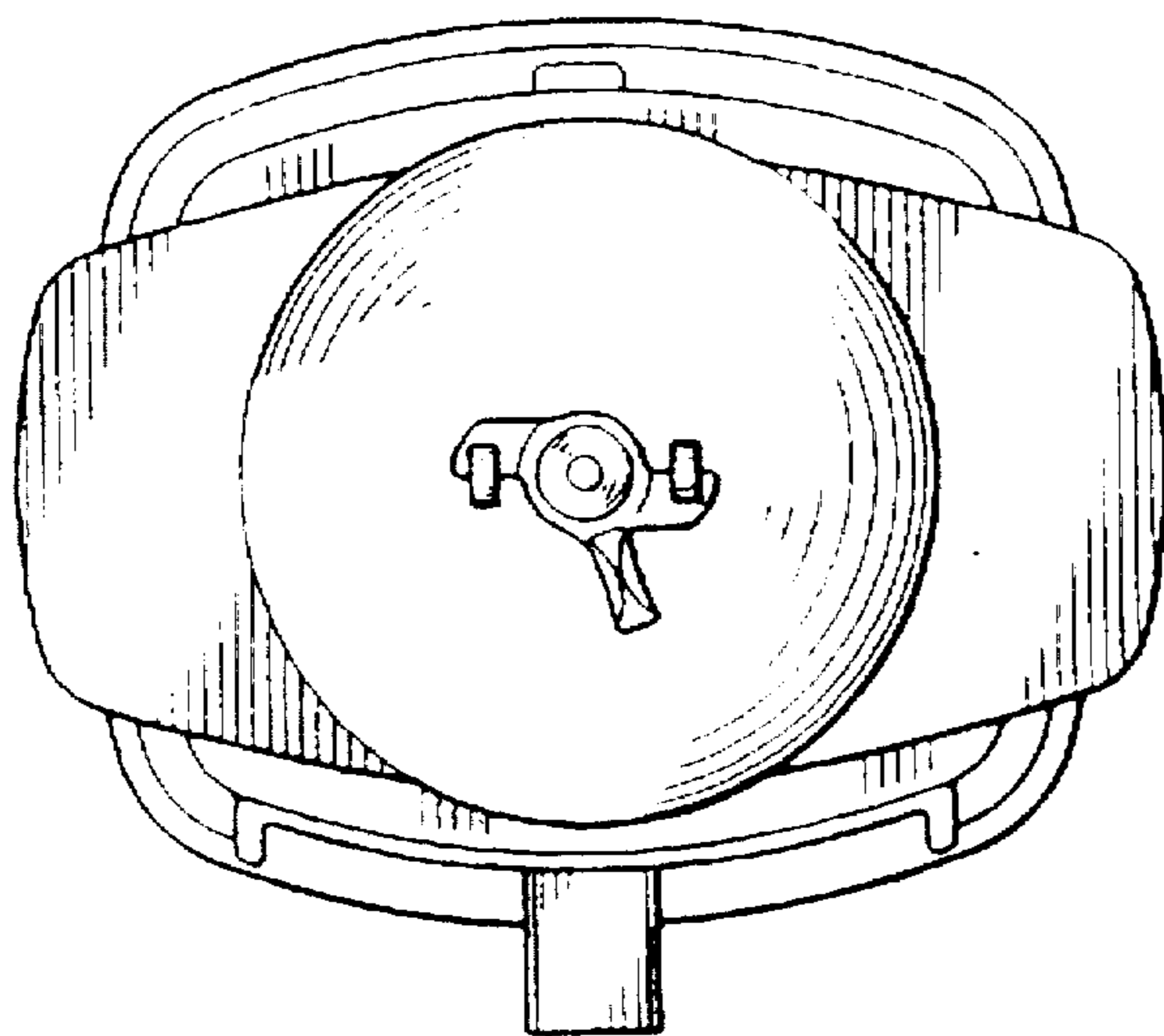


FIGURE 2

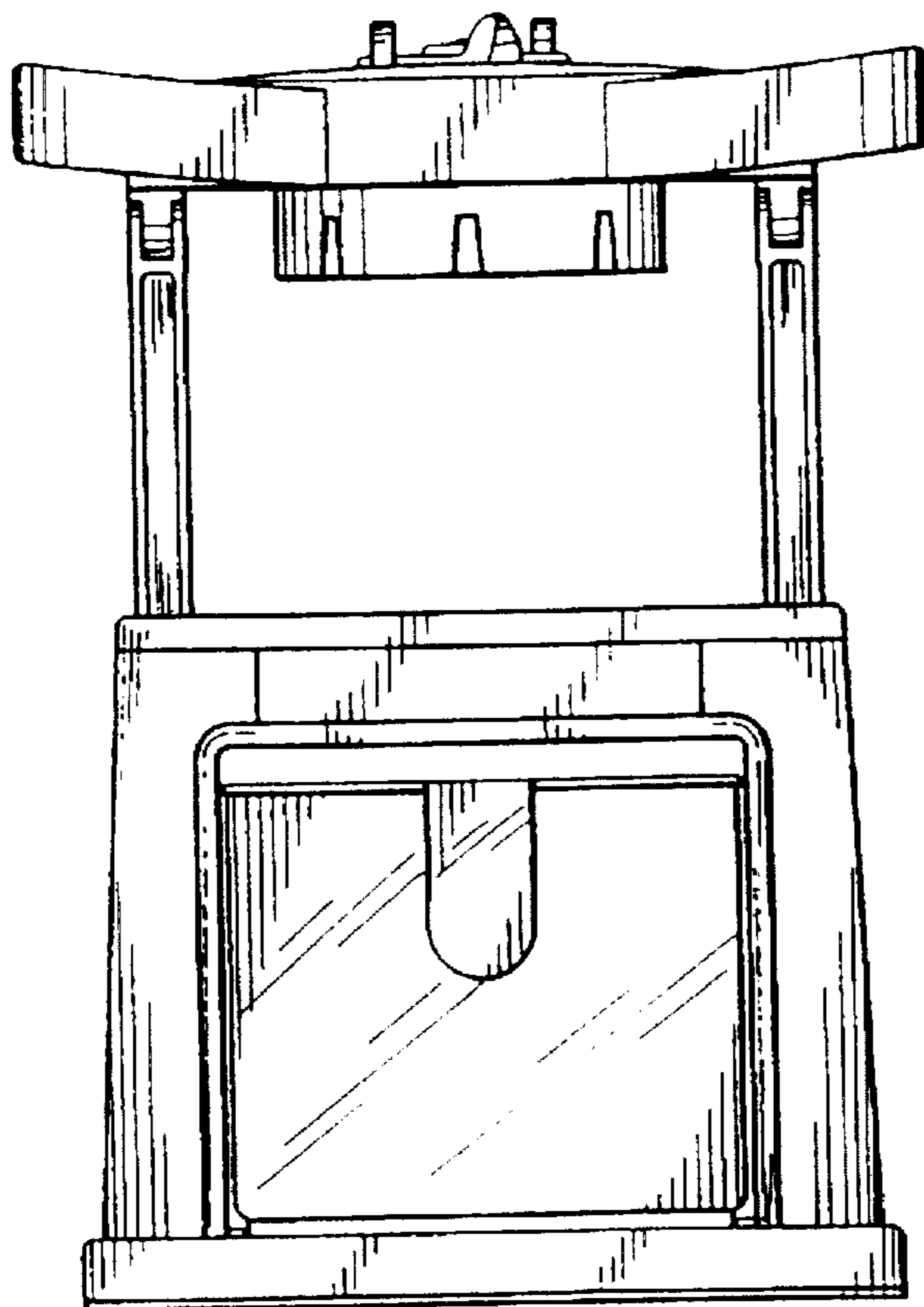


FIGURE 3

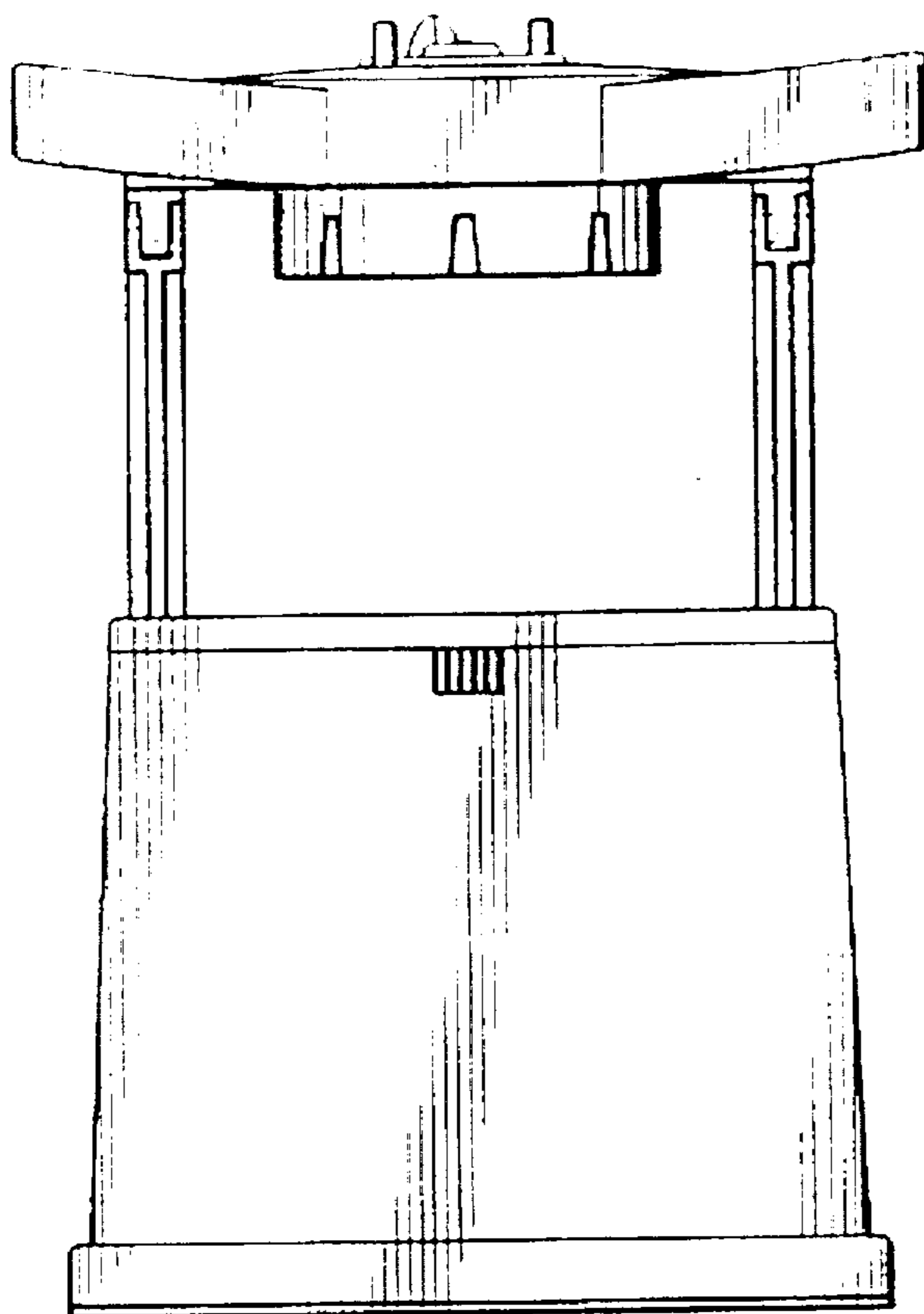


FIGURE 4

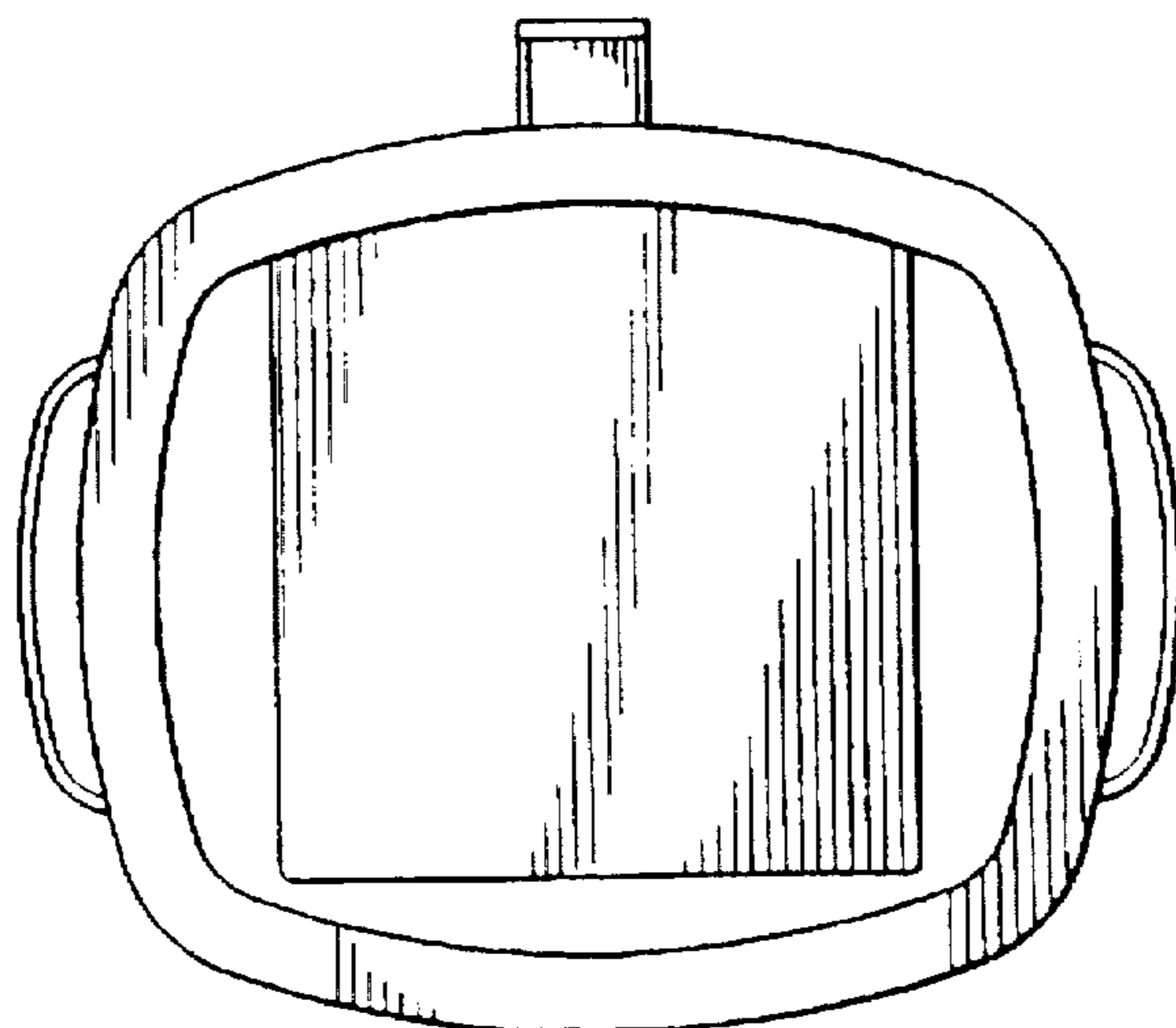


FIGURE 5

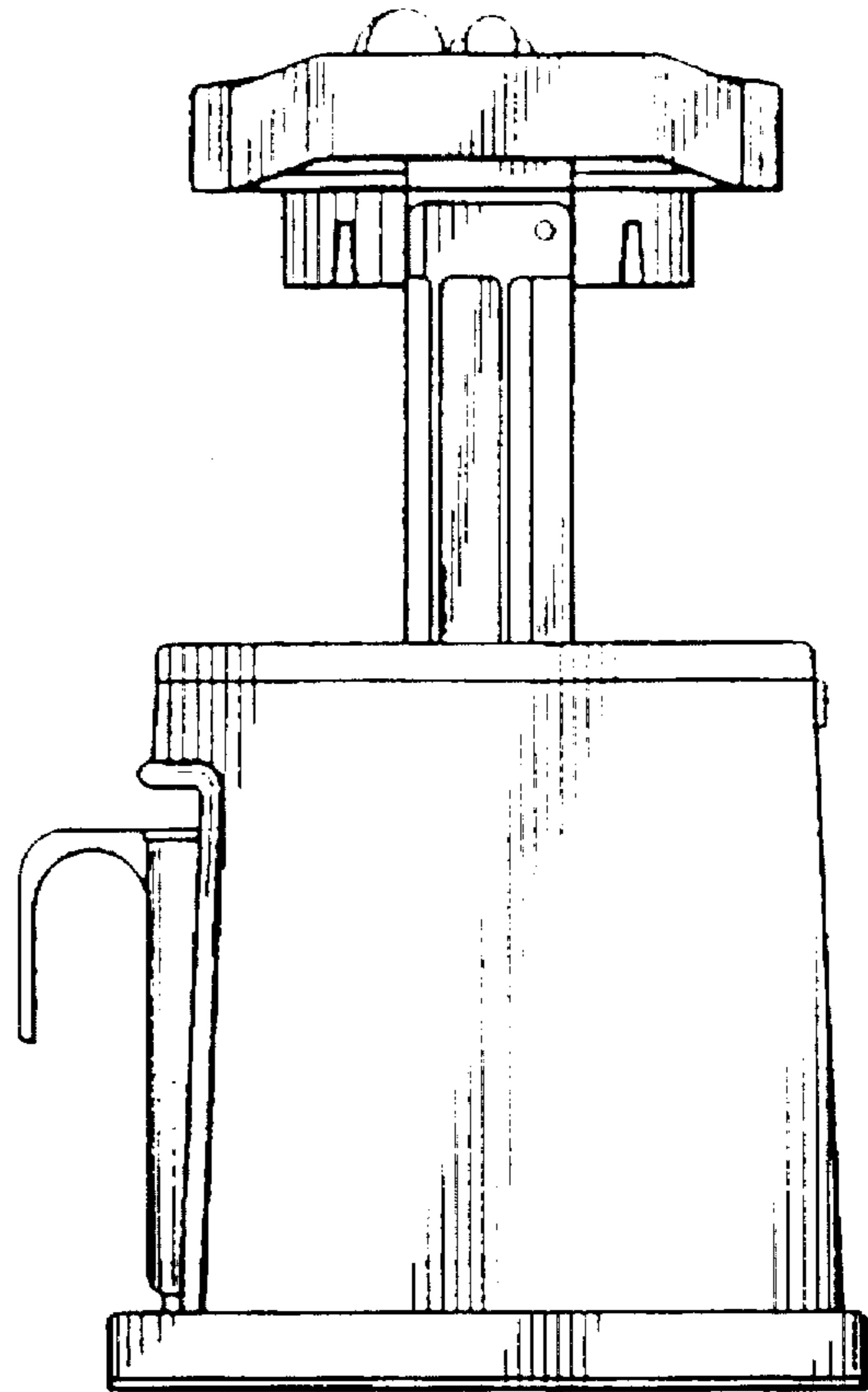


FIGURE 6

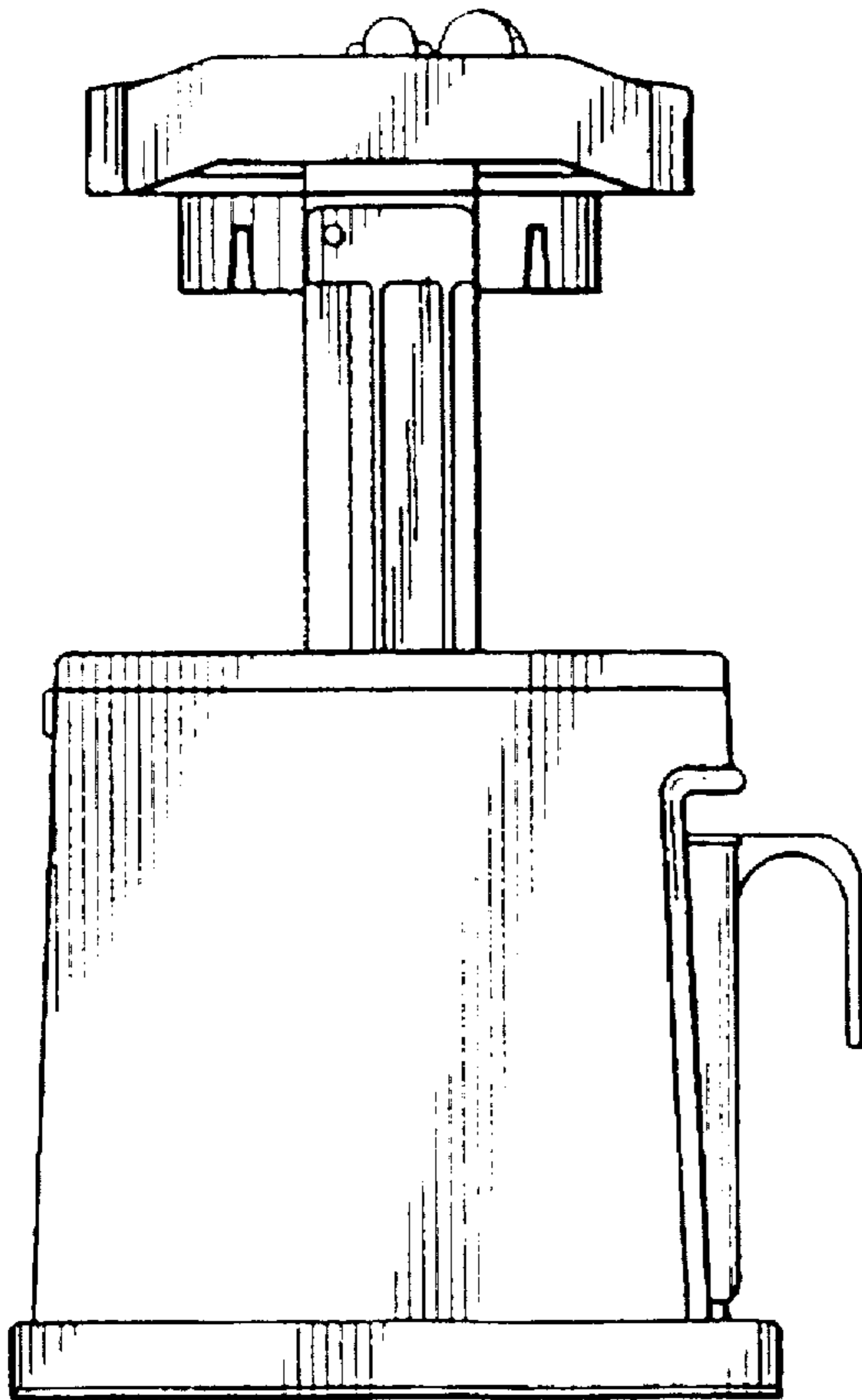


FIGURE 7

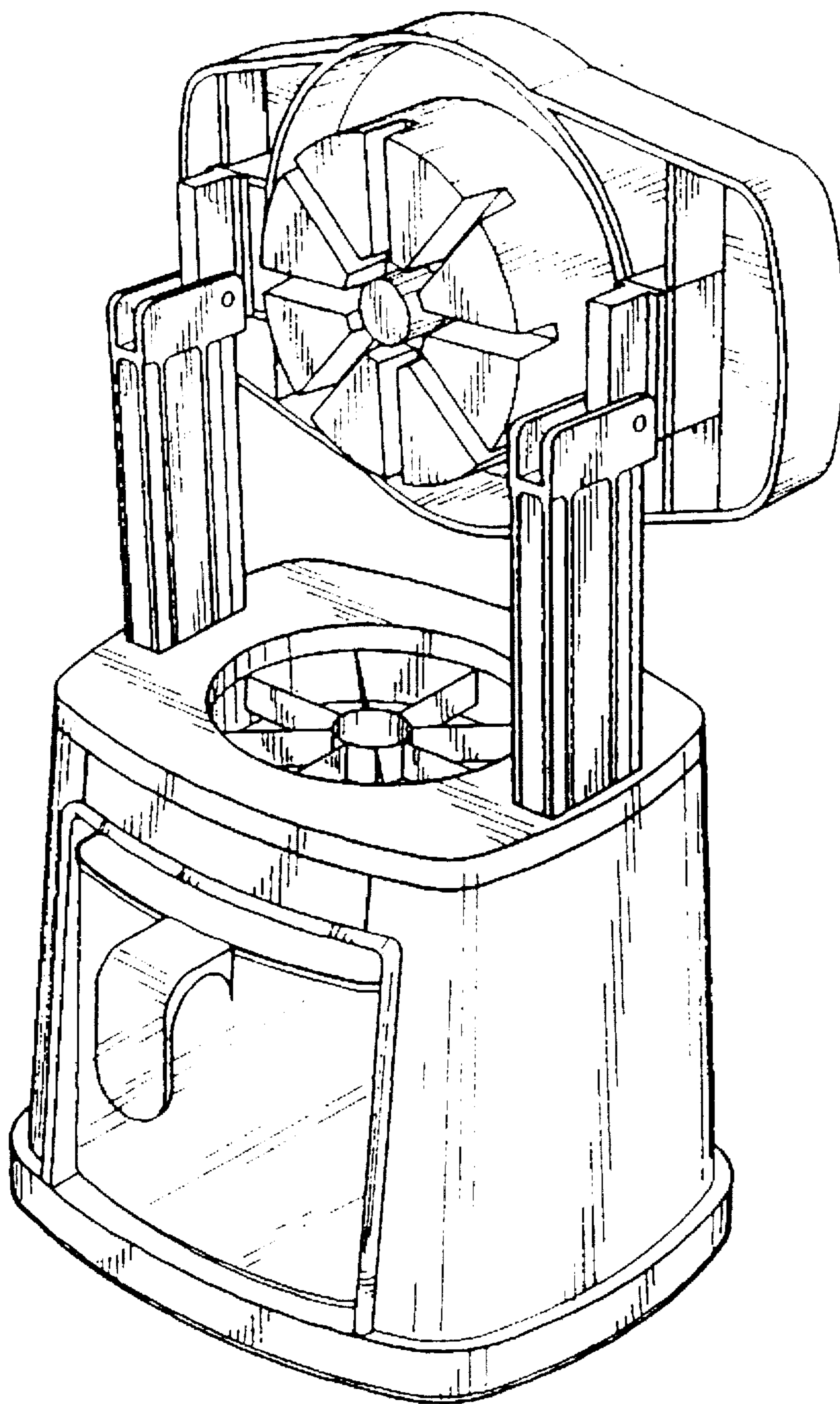


FIGURE 8