



US00D388657S

United States Patent [19]

Bacharowski

[11] Patent Number: **Des. 388,657**

[45] Date of Patent: ****Jan. 6, 1998**

[54] **LID SECURING DEVICE**

[76] Inventor: **Walter Bacharowski**, 245 Charles Ave., Sunnyvale, Calif. 94086

[**] Term: **14 Years**

[21] Appl. No.: **52,988**

[22] Filed: **Apr. 12, 1996**

[51] **LOC (6) CL** **07-99**

[52] **U.S. Cl.** **D7/387; D30/160**

[58] **Field of Search** **D7/601, 387, 393, D7/394; D30/160; 294/27.1, 33, 165, 170; 220/326, 315, 324**

[56] **References Cited**

U.S. PATENT DOCUMENTS

D. 146,367	2/1947	Mahler	D30/160
637,643	11/1899	Morrison	.	
660,424	10/1900	Gordon	.	
679,125	7/1901	Koch et al.	.	
817,312	4/1906	Gaddum	.	
1,080,905	12/1913	Ford	.	
1,080,906	12/1913	Ford	.	
1,336,491	4/1920	Stern	.	
2,506,211	5/1950	Grodde	222/108

2,542,621	2/1951	Bober	224/45
3,086,806	4/1963	McAndrew	294/170
3,194,462	7/1965	Tupper	294/170
4,923,082	5/1990	Bird	220/737

OTHER PUBLICATIONS

The Pet Catalog, p. 22, Tug Toy top of page.

Primary Examiner—Terry A. Wallace

[57] **CLAIM**

The ornamental design for a lid securing device, as shown and described.

DESCRIPTION

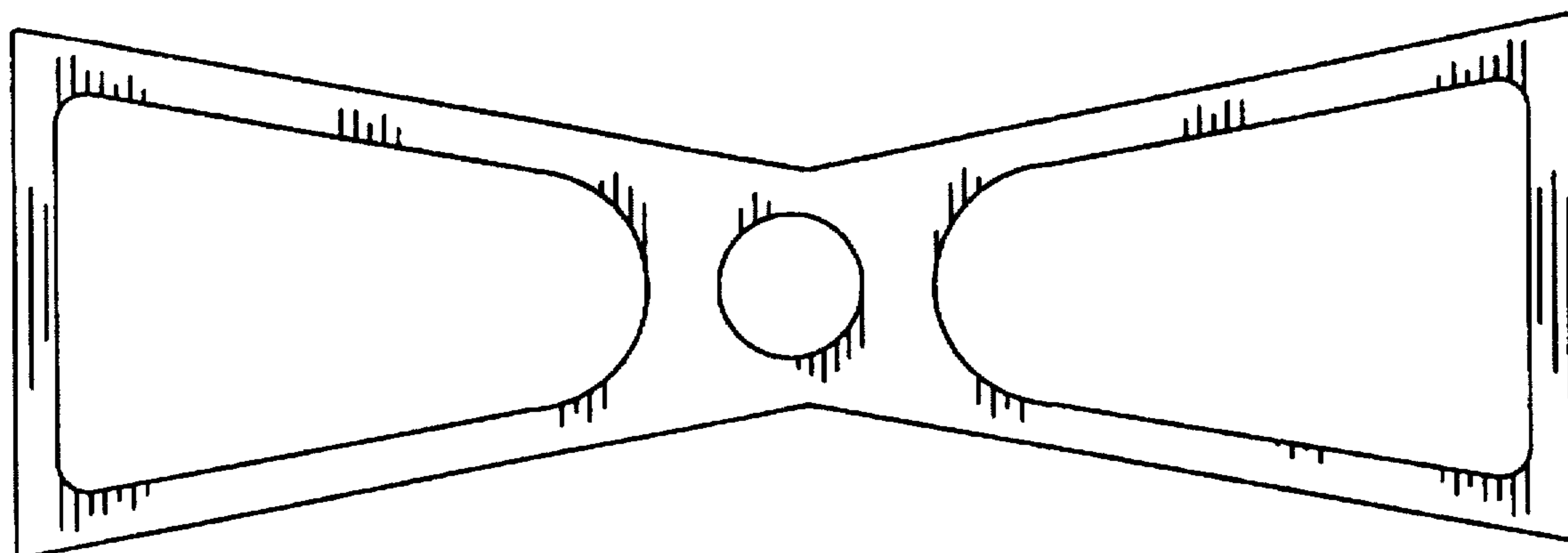
FIG. 1 is a perspective view of a lid securing device showing my new design, the pot shown in broken lines is for illustrative purposes only and forms no part of the claimed design;

FIG. 2 is a top plan view thereof, the opposite side being identical;

FIG. 3 is a front elevation view thereof, the opposite side being identical; and,

FIG. 4 is a side elevation view thereof, the opposite side being identical.

1 Claim, 2 Drawing Sheets



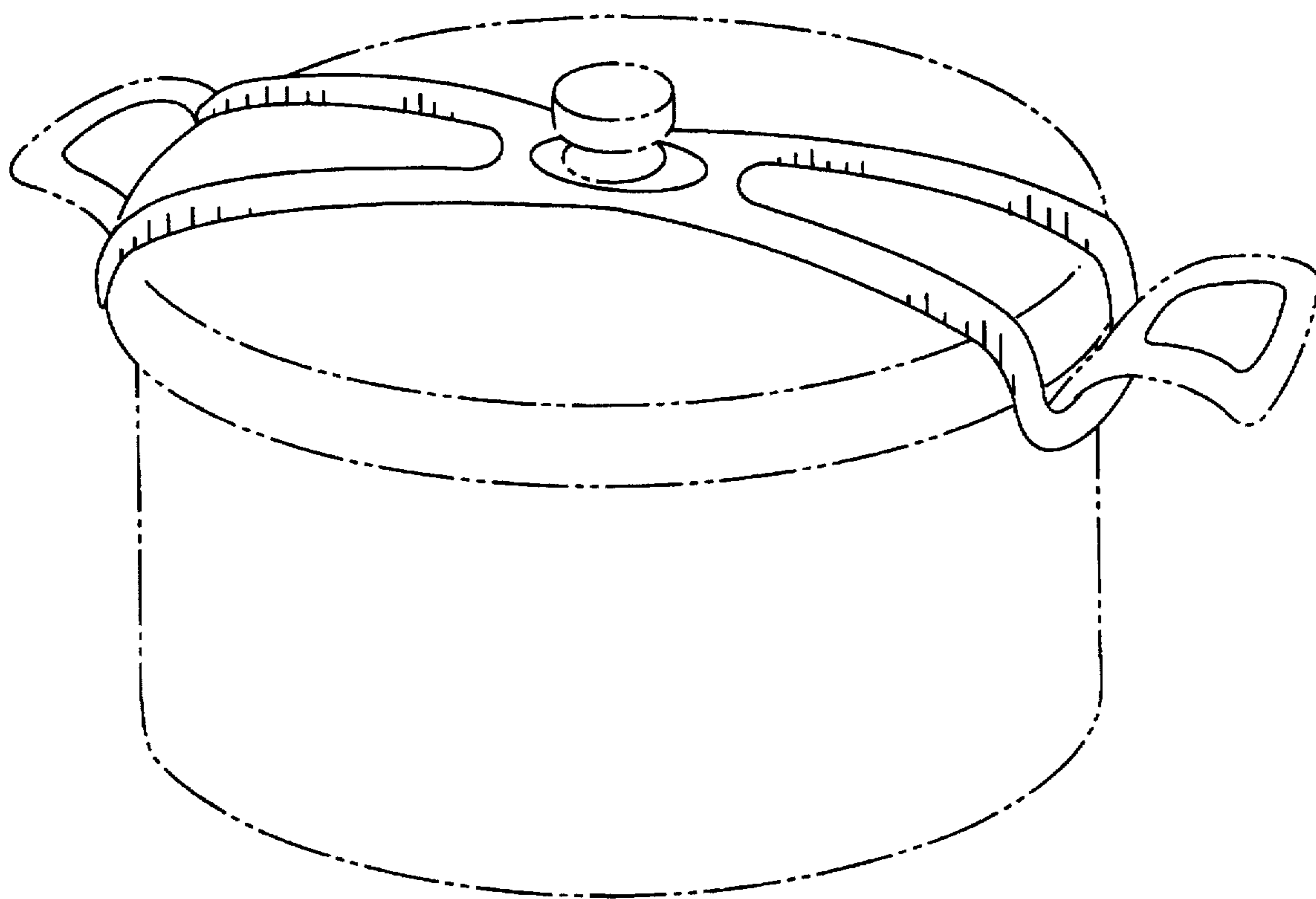


FIG 1

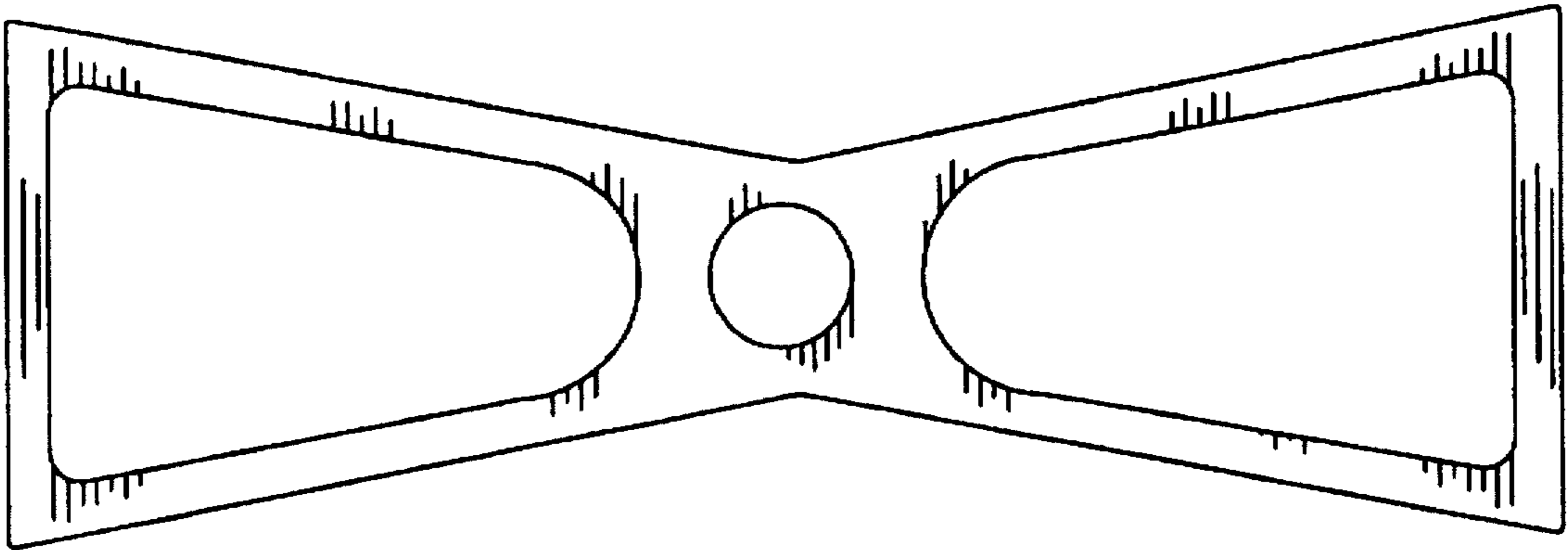


FIG 2



FIG 3



FIG 4