



US00D388652S

United States Patent [19]
Chien

[11] **Patent Number:** **Des. 388,652**
[45] **Date of Patent:** ****Jan. 6, 1998**

[54] **CONTAINER WITH DOUBLE SIDED TRAYS FOR COMPACT DISKS**

D. 358,079 5/1995 Taniyama D6/634 X
D. 358,521 5/1995 Taniyama D6/632 X

[76] **Inventor:** **Joseph Chien**, 425 N. Smith Ave.,
Corona, Calif. 91720

Primary Examiner—Doris V. Coles
Attorney, Agent, or Firm—Sheldon & Mak, Inc.; Danton K. Mak; Edward A. Brown

[**] **Term:** **14 Years**

[57] **CLAIM**

[21] **Appl. No.:** **47,534**

The ornamental design of a container with double sided trays for compact disks, as shown and described.

[22] **Filed:** **Dec. 6, 1995**

DESCRIPTION

[51] **LOC (6) Cl.** **06-99**

[52] **U.S. Cl.** **D6/631; D6/632; D6/634**

[58] **Field of Search** **D6/631, 632, 407, D6/408, 629, 630, 634, 635; 206/308.3, 387.1, 444**

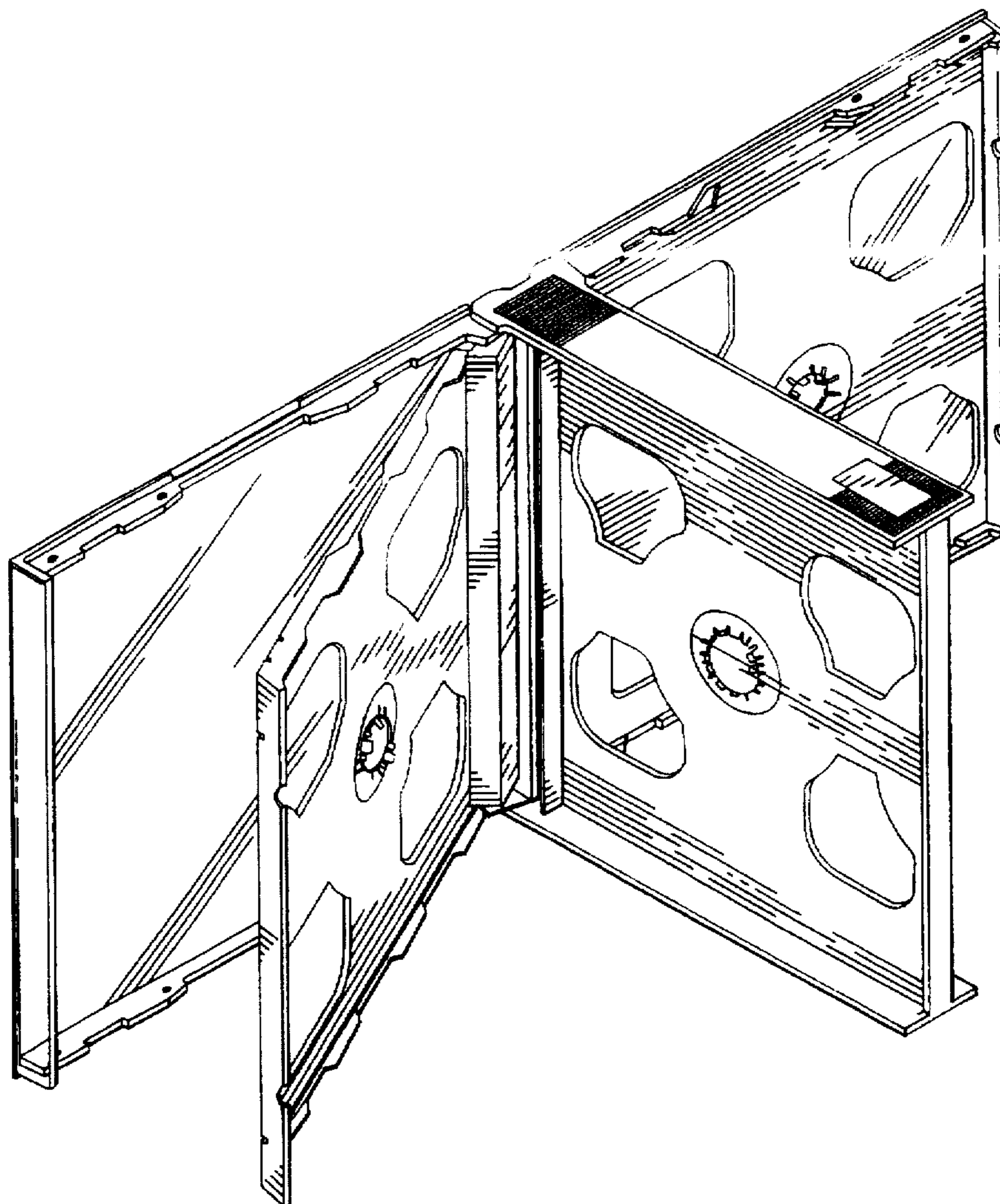
FIG. 1 is a perspective view of a container with double sided trays for compact disks, showing my new design; FIG. 2 is a bottom plan view, the top plan view being a mirror image thereof; FIG. 3 is a right side elevational view thereof; FIG. 4 is a left side elevational view thereof; FIG. 5 is a partially open perspective view thereof; and, FIG. 6 is a cross-sectional view taken along line 6—6 of FIG. 1.

[56] **References Cited**

U.S. PATENT DOCUMENTS

D. 334,284 3/1993 Horikiri D6/631
D. 348,563 7/1994 Horikiri D6/643
D. 352,199 11/1994 Stumpff et al. D6/634 X

1 Claim, 3 Drawing Sheets



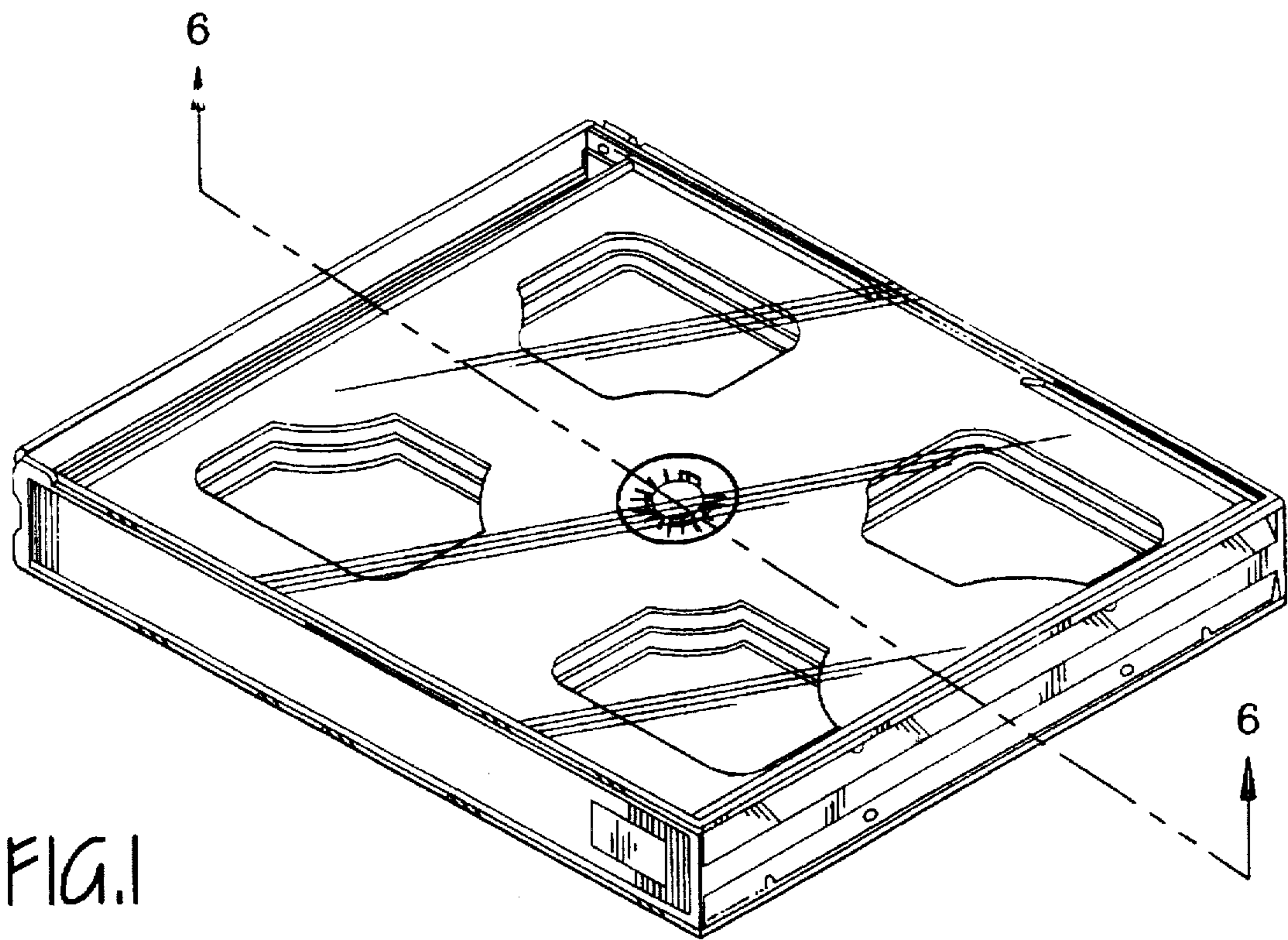


FIG. 1

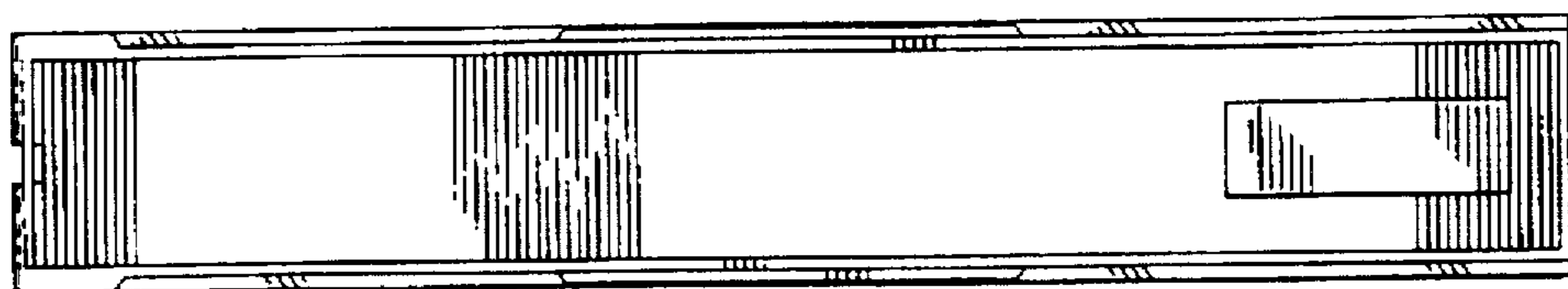


FIG. 2

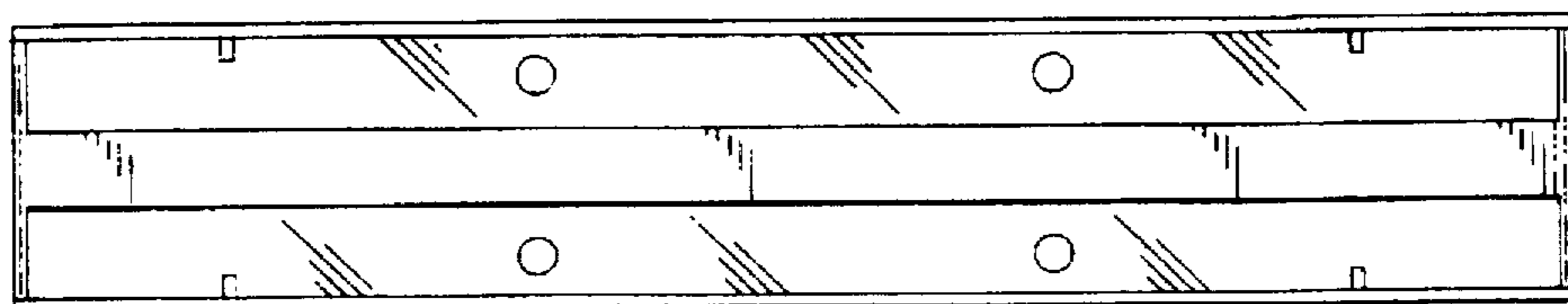


FIG.3

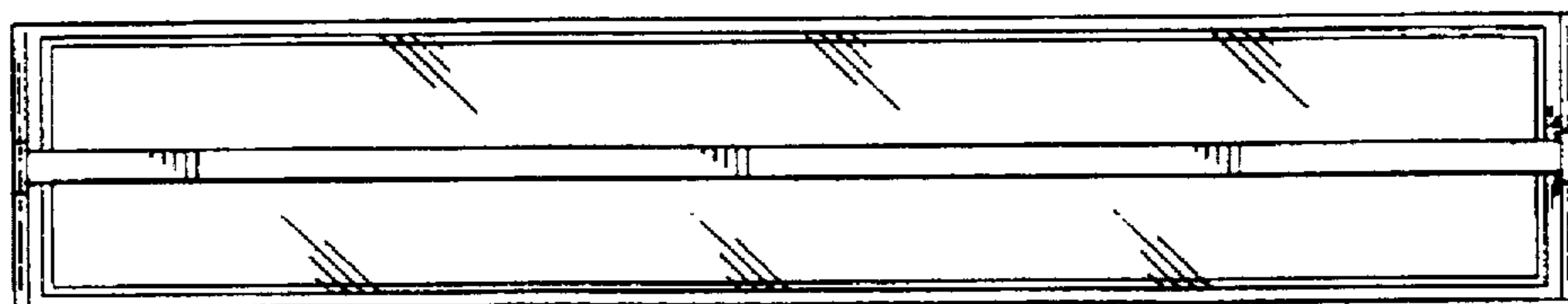


FIG.4

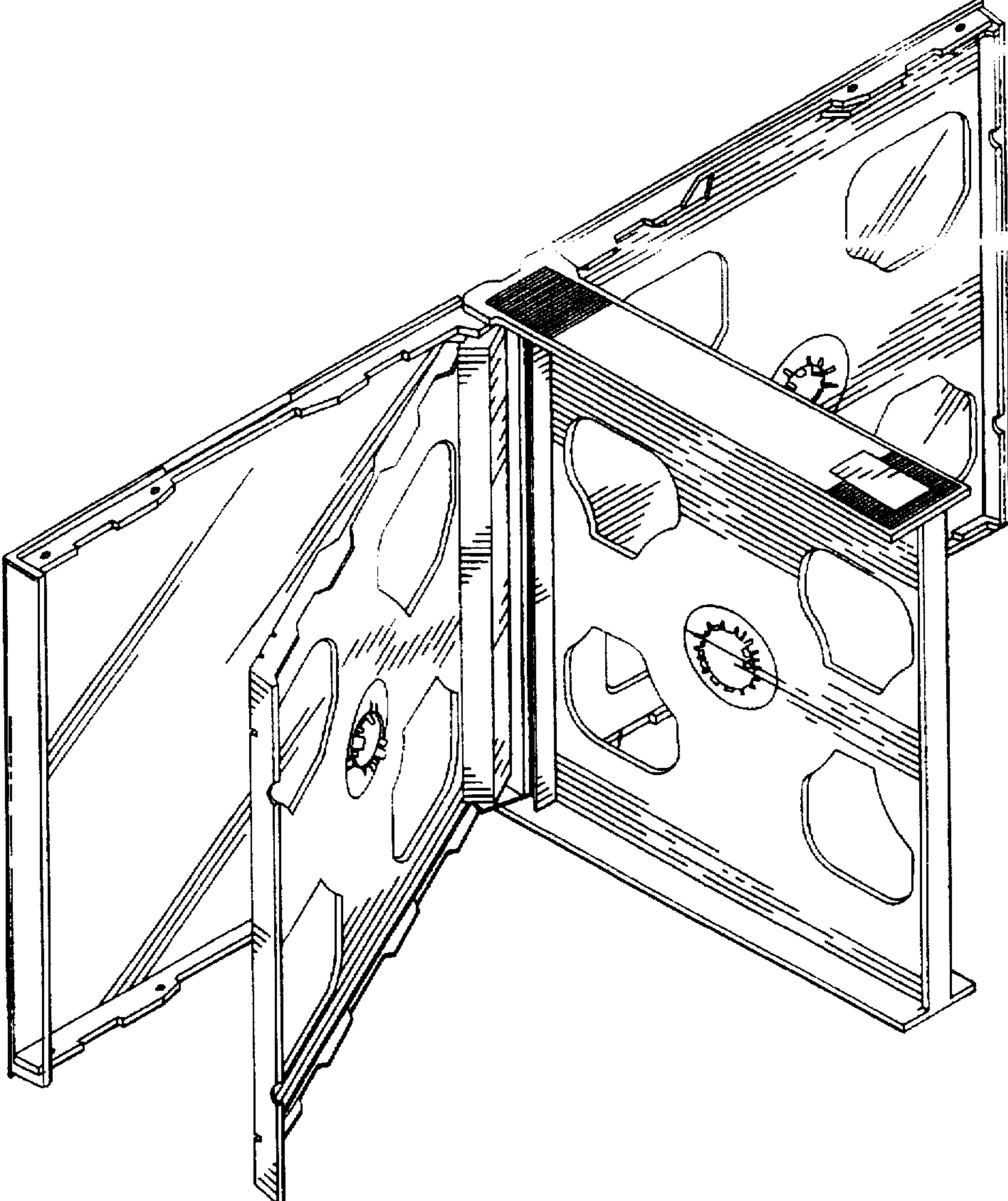


FIG.5

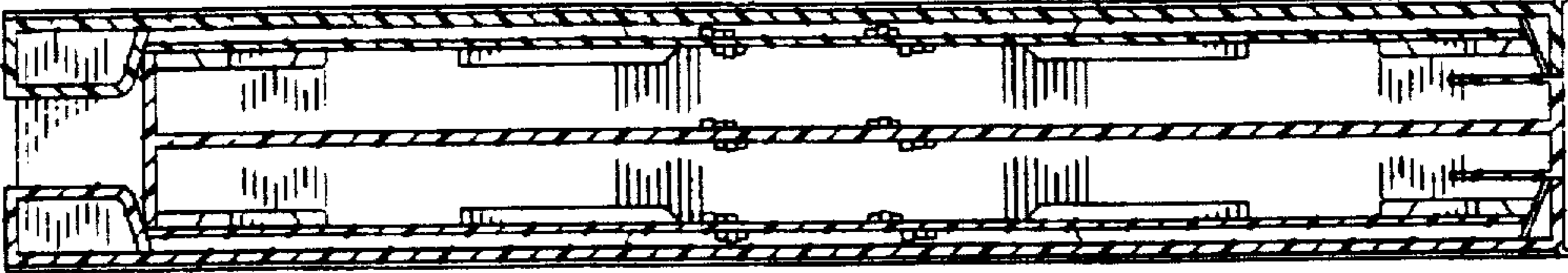


FIG.6