



US00D388646S

# United States Patent [19]

Canton Gongora et al.

[11] Patent Number: **Des. 388,646**

[45] Date of Patent: **\*\*Jan. 6, 1998**

[54] **MONITOR SUPPORT**

[75] Inventors: **Antonio Canton Gongora; Carlos Jesús Cruz Fernandez; José María Muñagorri Enriquez; Juan Carlos Rayo Ortigüela**, all of Madrid, Spain

[73] Assignee: **Telefonica De Espana, S.A.**, Madrid, Spain

[\*\*] Term: **14 Years**

[21] Appl. No.: **62,709**

[22] Filed: **Nov. 21, 1996**

[30] **Foreign Application Priority Data**

May 24, 1996 [ES] Spain ..... 137576

[51] LOC (6) Cl. .... **06-04**

[52] U.S. Cl. .... **D6/574; D6/513**

[58] Field of Search ..... D6/574, 553, 513, D6/512, 567; D8/373, 380; 248/637, 670, 317, 214, 278.1, 282.1, 324, 917, 919-924, 344, 274; 211/86, 113

[56] **References Cited**

**U.S. PATENT DOCUMENTS**

D. 270,689 9/1983 Boscacci ..... D6/513

D. 314,483 2/1991 Zimprieh et al. .... D6/513  
D. 337,789 7/1993 Bain et al. .... D19/91 X  
D. 352,652 11/1994 Vogels ..... D6/567 X  
D. 371,063 6/1996 Barkan ..... D6/567 X  
D. 377,897 2/1997 Vogels ..... D6/513 X  
4,410,158 10/1983 Maffei ..... 248/214

*Primary Examiner*—Susan J. Lucas  
*Assistant Examiner*—Pamela Burgess  
*Attorney, Agent, or Firm*—Reid & Priest L.L.P.

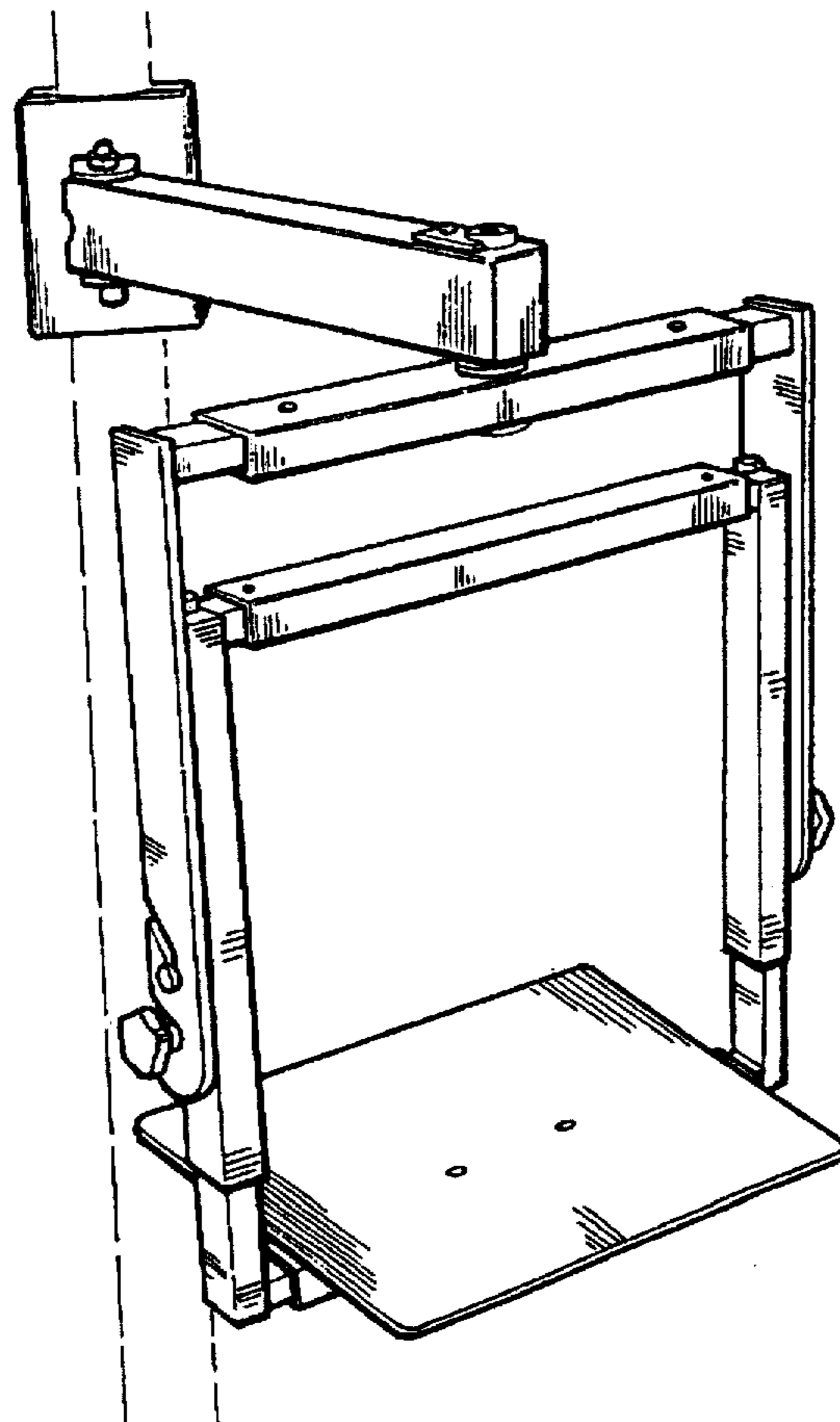
[57] **CLAIM**

The ornamental design for a monitor support, as shown and described.

**DESCRIPTION**

FIG. 1 is front elevation view of a monitor support embodying our new and ornamental design;  
FIG. 2 is a left side elevation view thereof;  
FIG. 3 is a top plan view thereof;  
FIG. 4 is a bottom plan view thereof;  
FIG. 5 is a rear elevation view thereof;  
FIG. 6 is a right side elevation view thereof;  
FIG. 7 is a front perspective view thereof, in an alternate position; and,  
FIG. 8 is a rear perspective view thereof.  
The broken lines shown in FIGS. 7 and 8 are for illustrative purposes only and form no part of the claimed design.

**1 Claim, 3 Drawing Sheets**



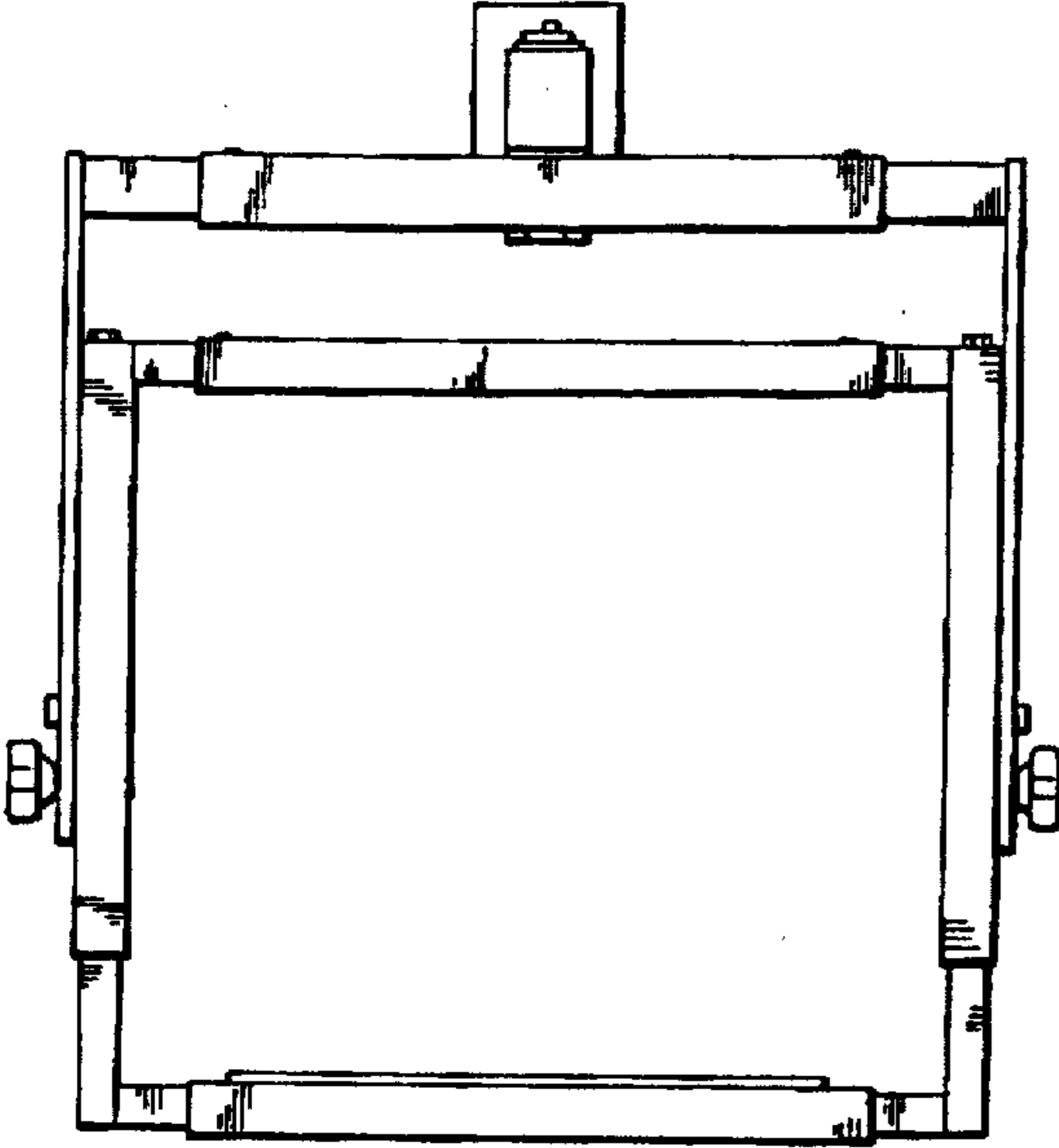


FIG.-1

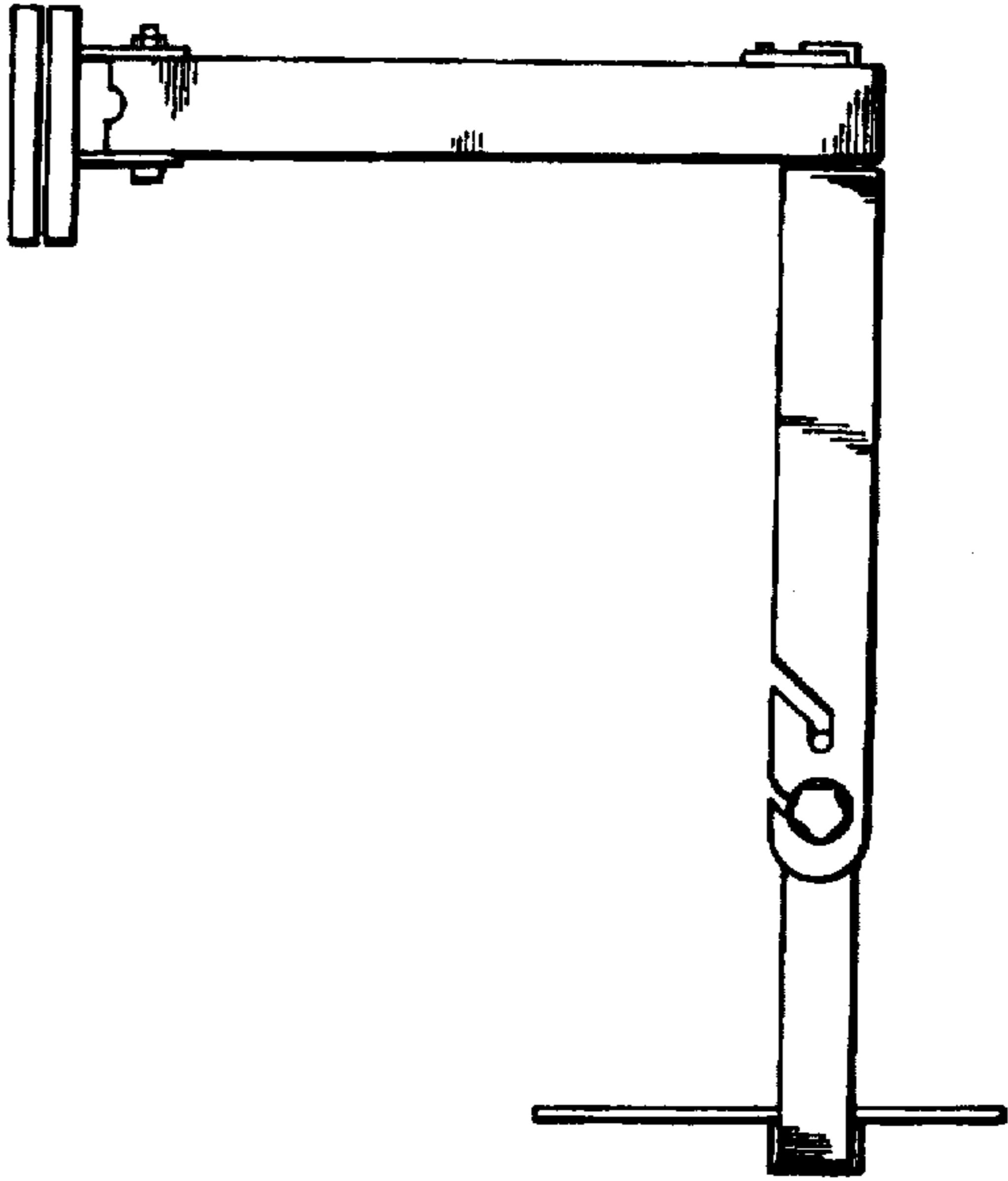


FIG.-2

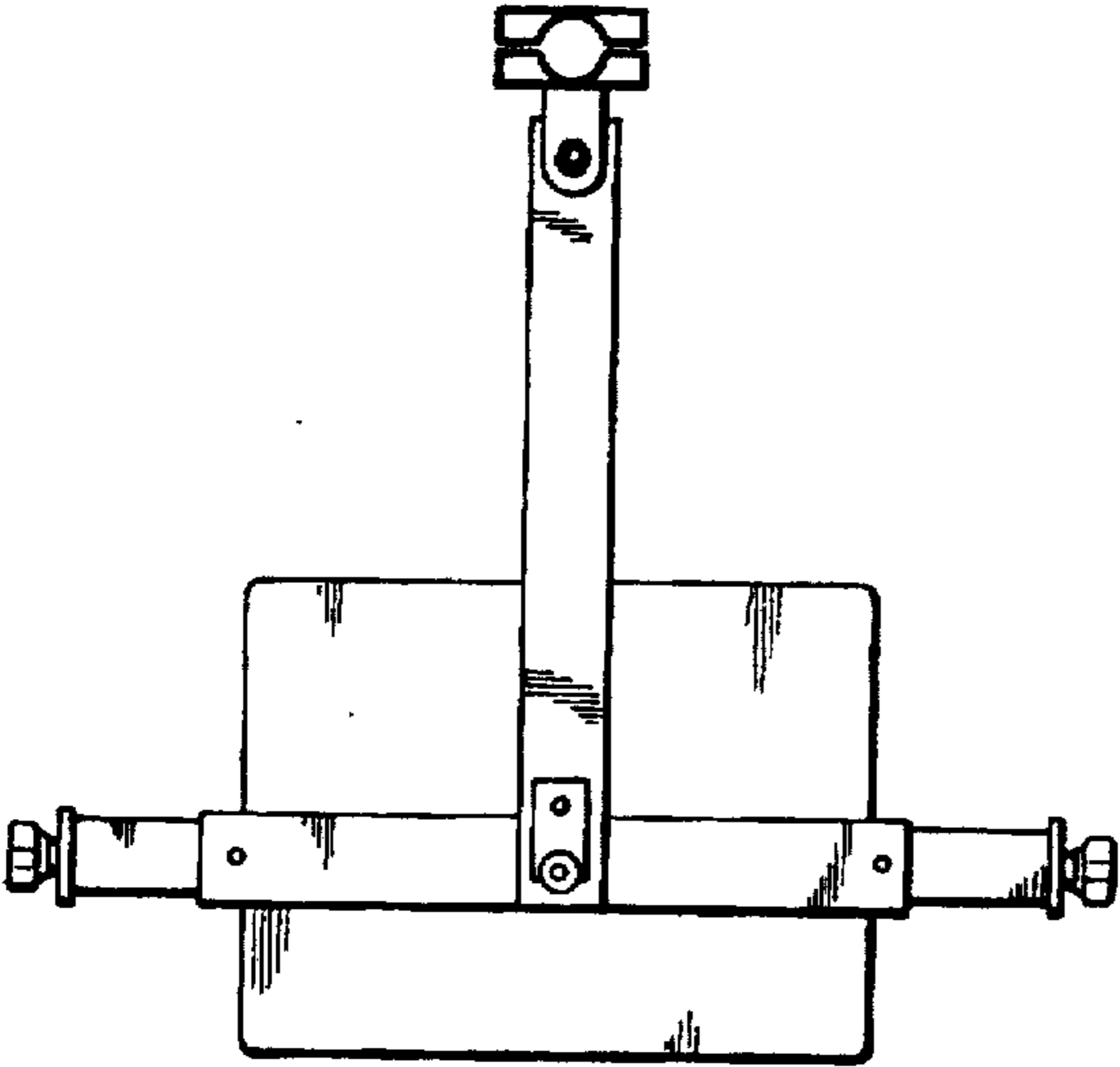


FIG.-3

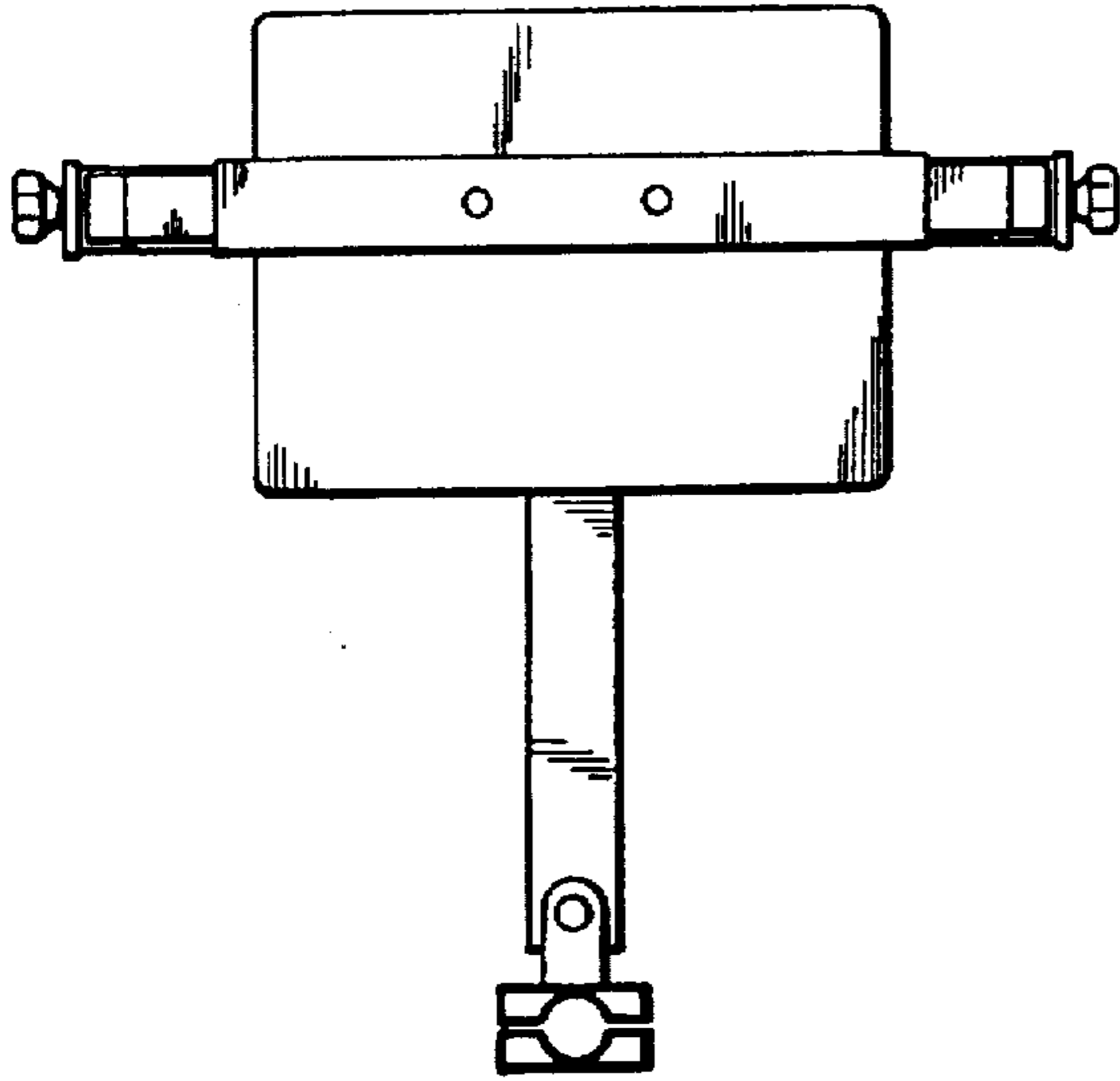


FIG.-4

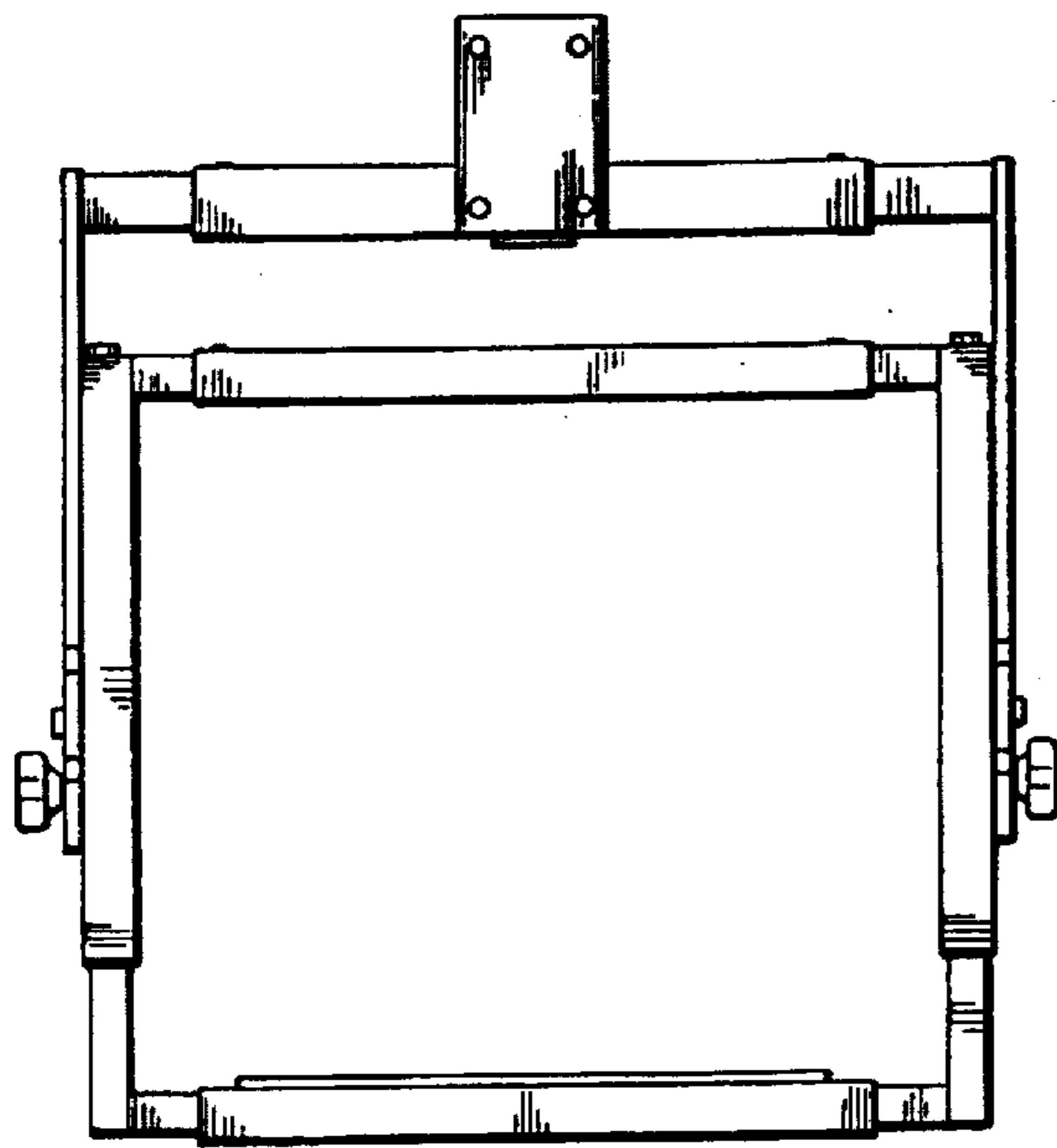


FIG.-5

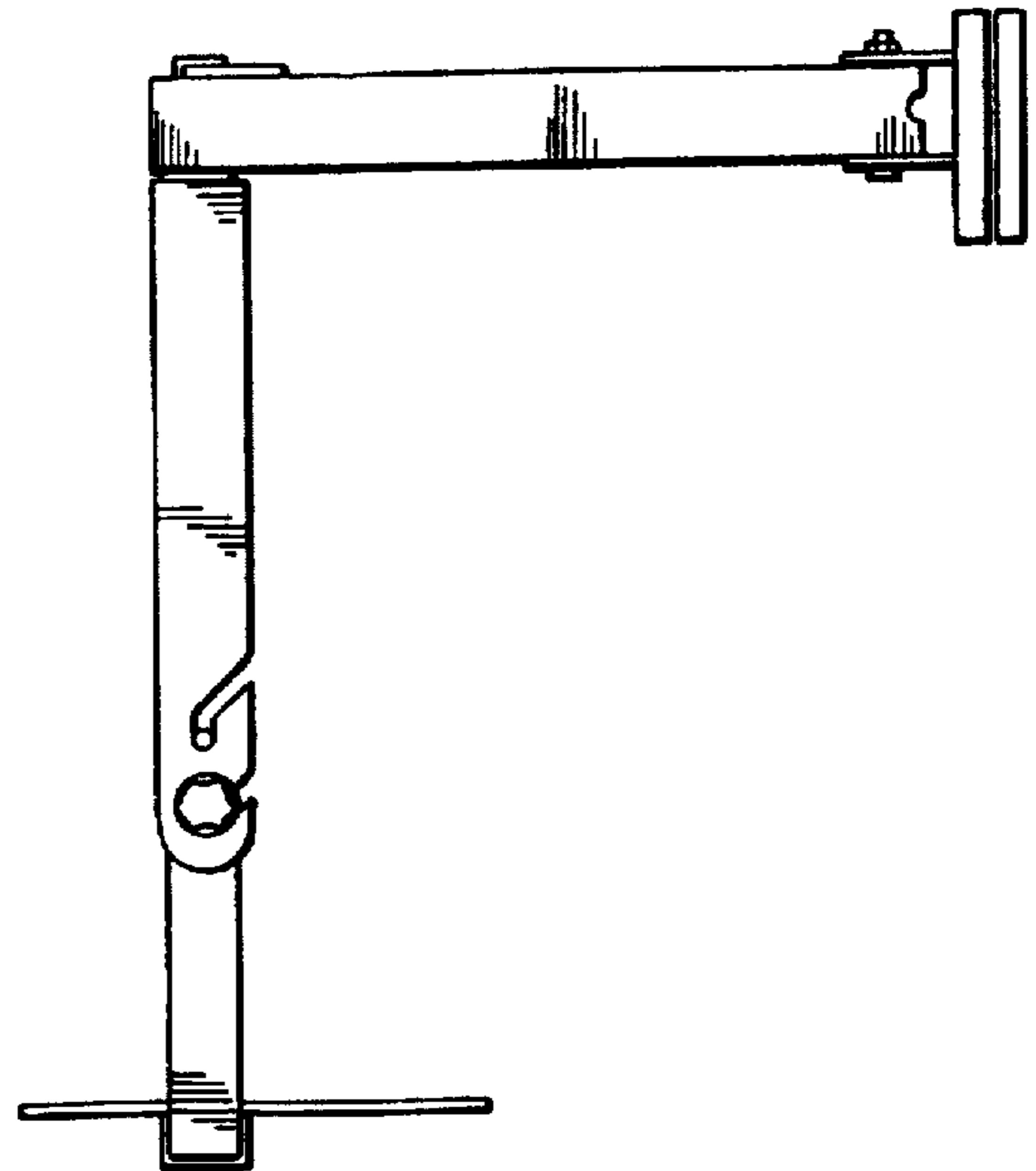


FIG.-6

FIG.-7

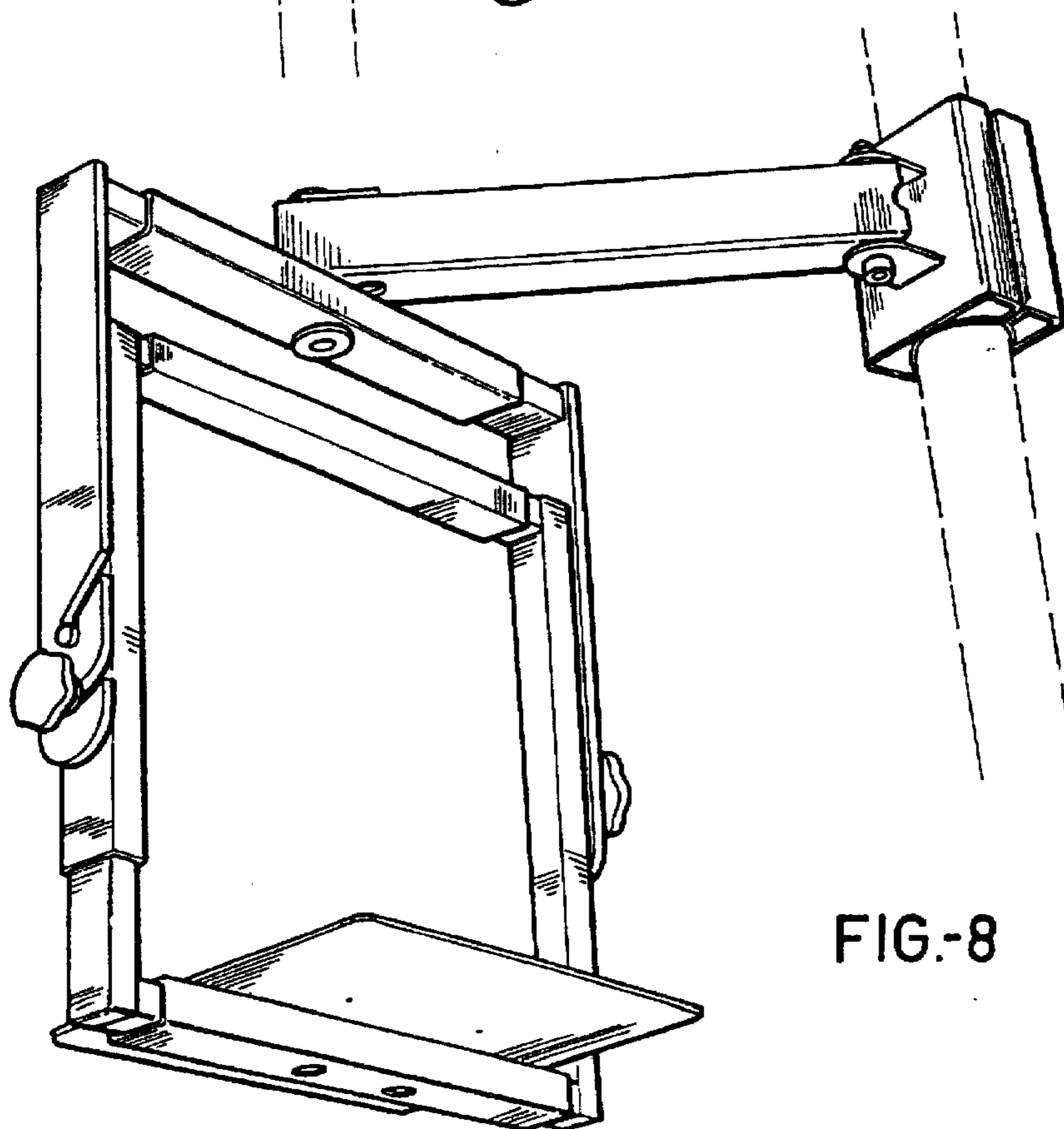
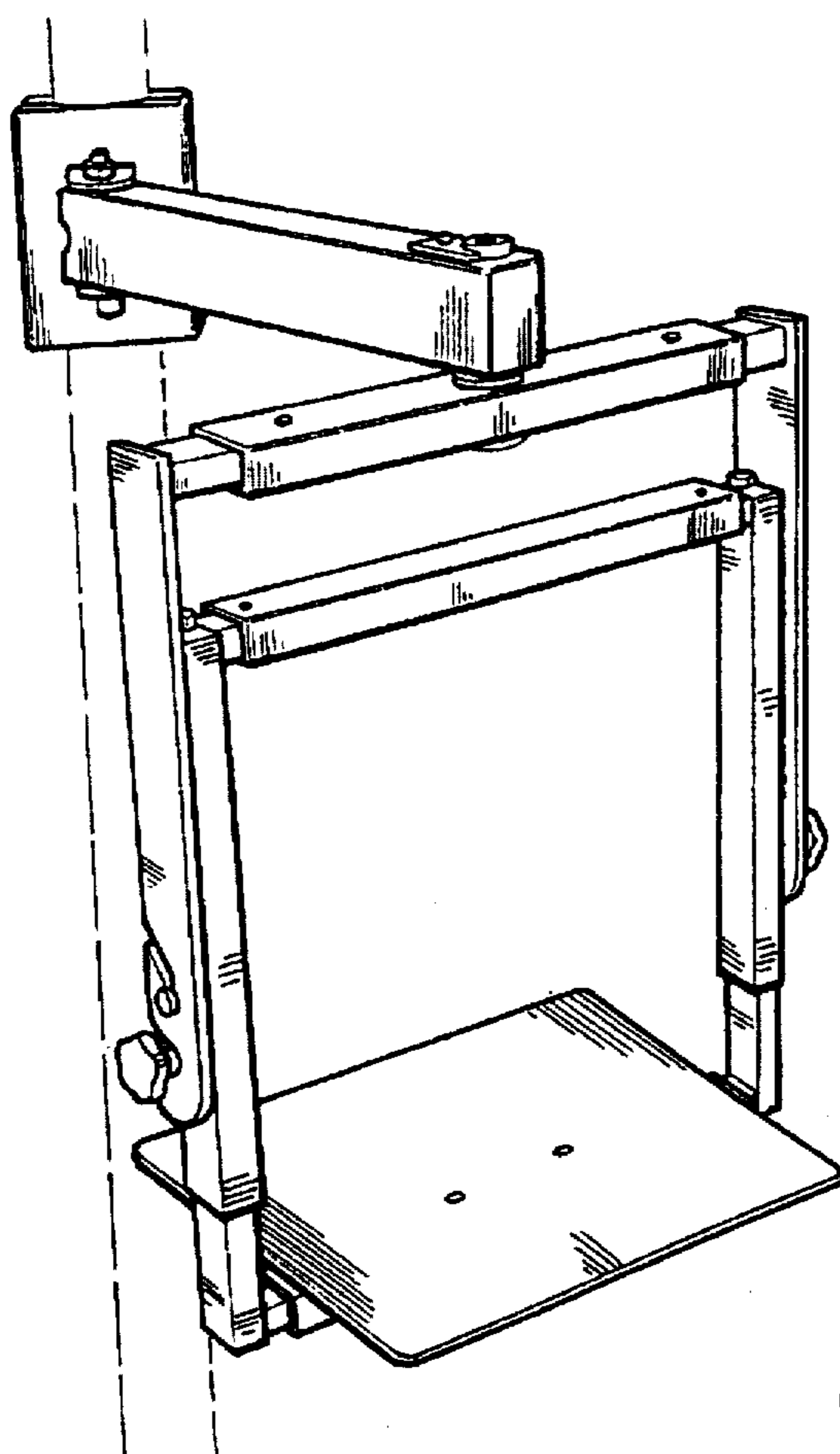


FIG.-8