



US00D388645S

# United States Patent [19]

Whang

[11] Patent Number: **Des. 388,645**

[45] Date of Patent: **\*\*Jan. 6, 1998**

[54] **HOOK RACK**

[75] Inventor: **Young-Sik Whang**, Morton Grove, Ill.

[73] Assignee: **Selfix, Inc.**, Chicago, Ill.

[\*\*] Term: **14 Years**

[21] Appl. No.: **66,492**

[22] Filed: **Feb. 14, 1997**

[51] LOC (6) Cl. .... **08-08**

[52] U.S. Cl. .... **D6/569; D6/566**

[58] Field of Search ..... D6/552, 553, 566,  
D6/569, 570; D8/367, 370, 372; D11/131,  
133, 132; 211/13, 30, 32, 35, 86, 87, 181;  
248/302, 309.2

[56] **References Cited**

**U.S. PATENT DOCUMENTS**

- D. 270,023 8/1983 Sheldon ..... D6/566
- D. 306,385 3/1990 Alexander et al. .... D6/552
- D. 355,841 2/1995 Goodman et al. .... D6/566 X

- D. 362,755 10/1995 Ehrmann ..... D6/552 X
- D. 362,777 10/1995 Emery et al. .... D6/566
- D. 371,927 7/1996 Bartus et al. .... D6/566
- D. 372,154 7/1996 Chapman ..... D6/566 X

*Primary Examiner*—Brian N. Vinson  
*Attorney, Agent, or Firm*—Dressler, Rockey, Milnamow & Katz, Ltd.

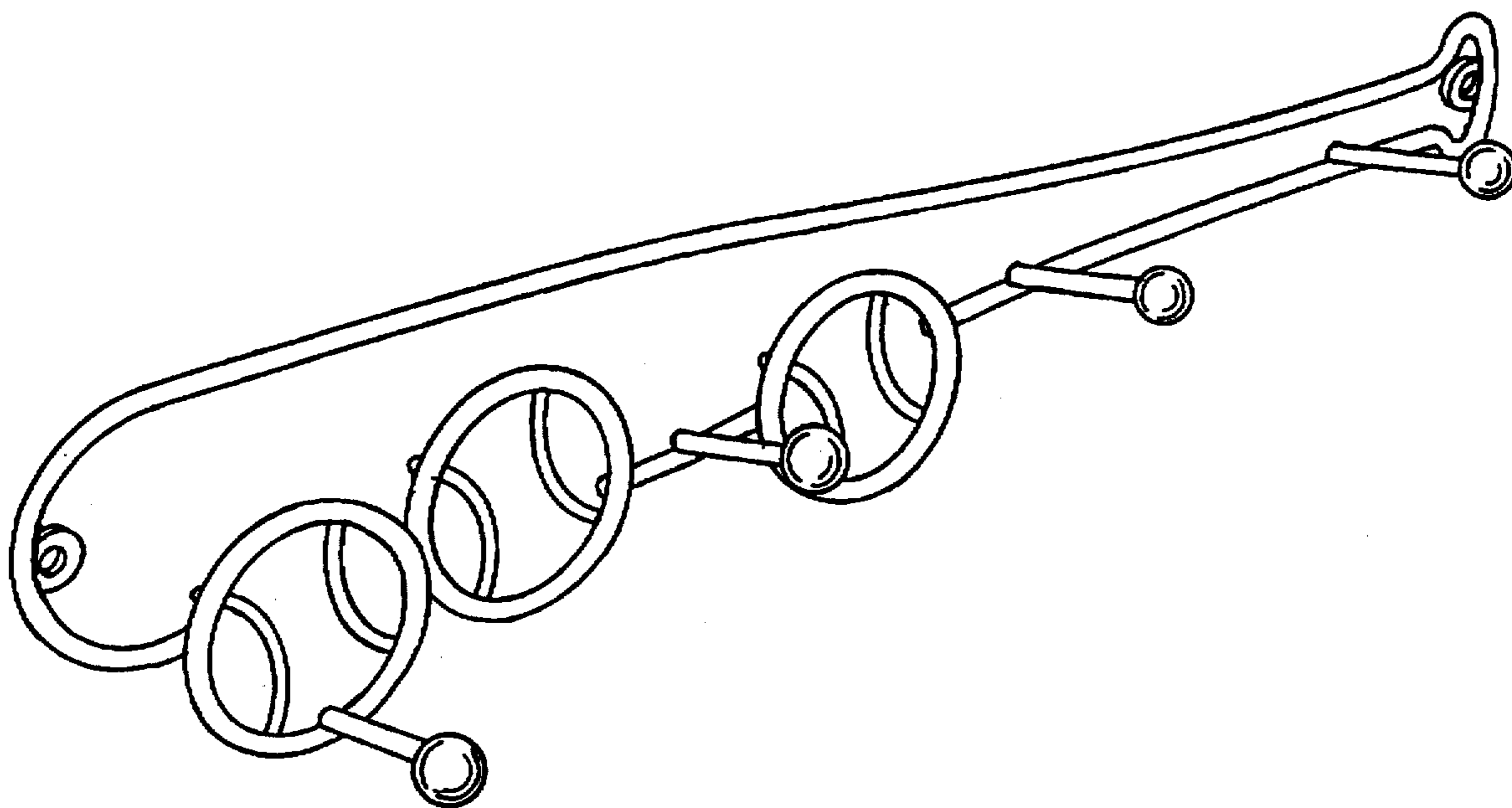
[57] **CLAIM**

The ornamental design for a hook rack, as shown and described.

**DESCRIPTION**

FIG. 1 is a perspective view of a hook rack, showing my new design;  
FIG. 2 is a front elevational view thereof;  
FIG. 3 is a rear elevational view thereof;  
FIG. 4 is a left side elevational view thereof;  
FIG. 5 is a right side elevational view thereof;  
FIG. 6 is a top plan view thereof; and,  
FIG. 7 is a bottom plan view thereof.

**1 Claim, 2 Drawing Sheets**



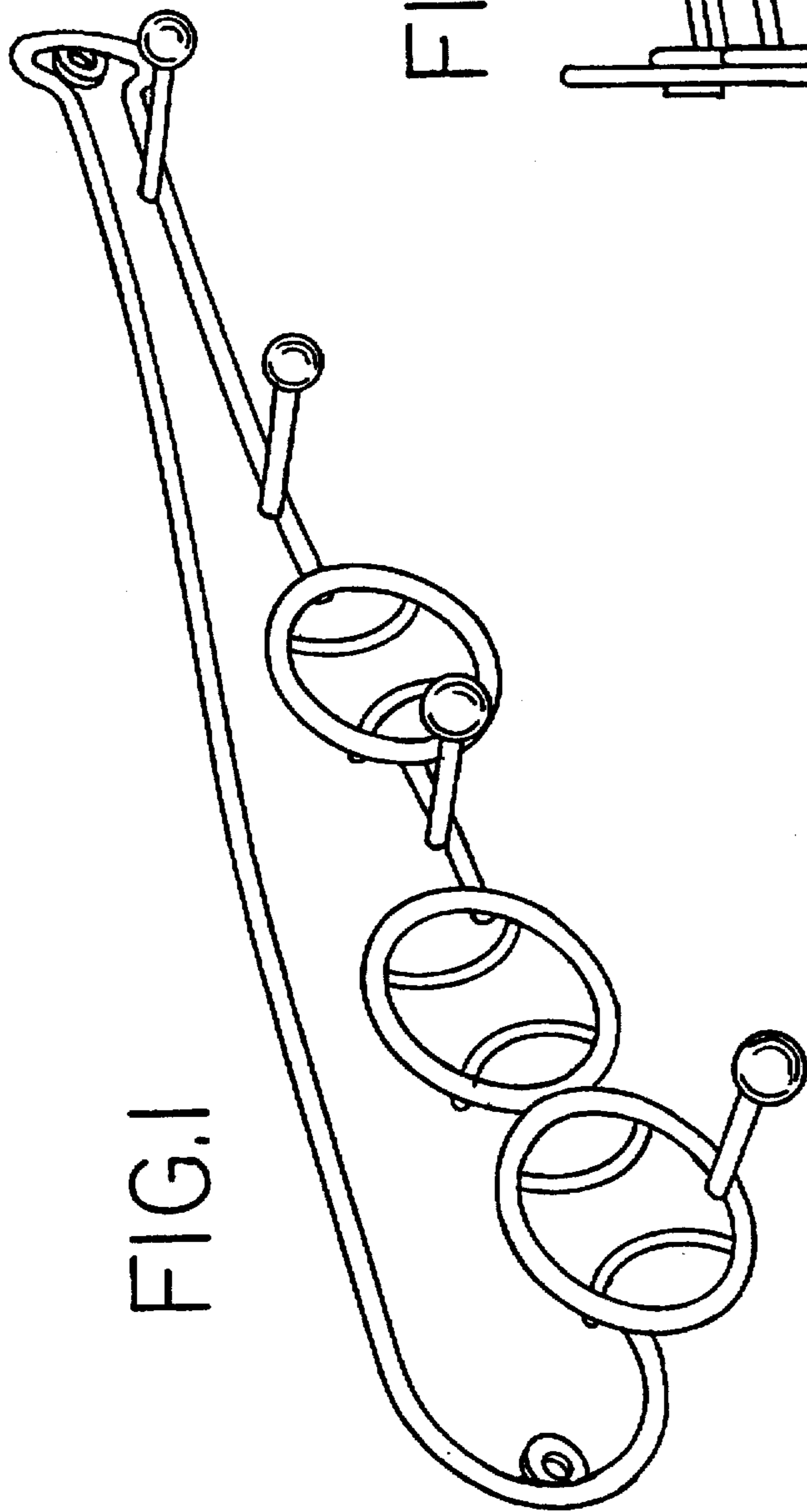


FIG. 4

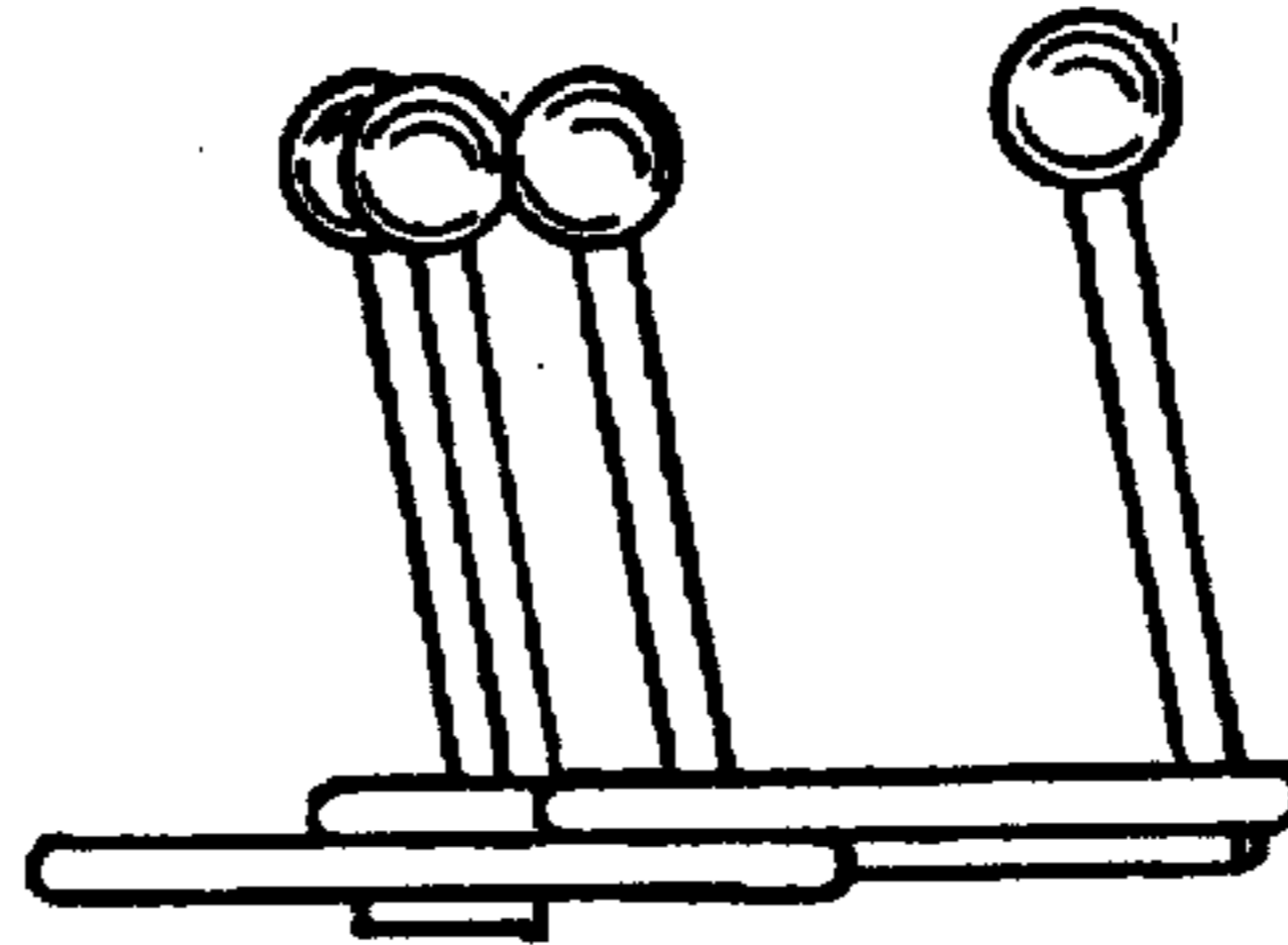


FIG. 5

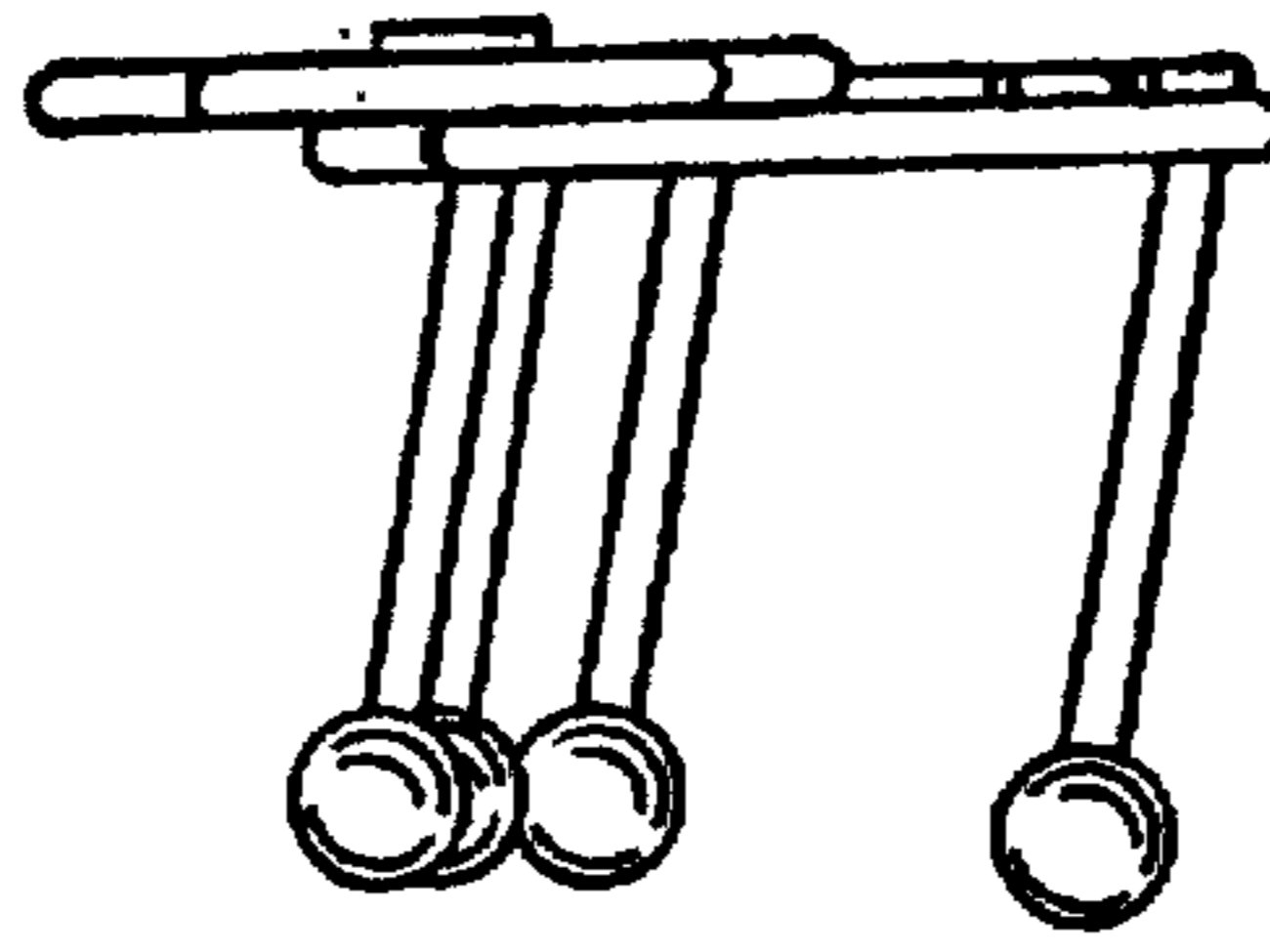


FIG. 2

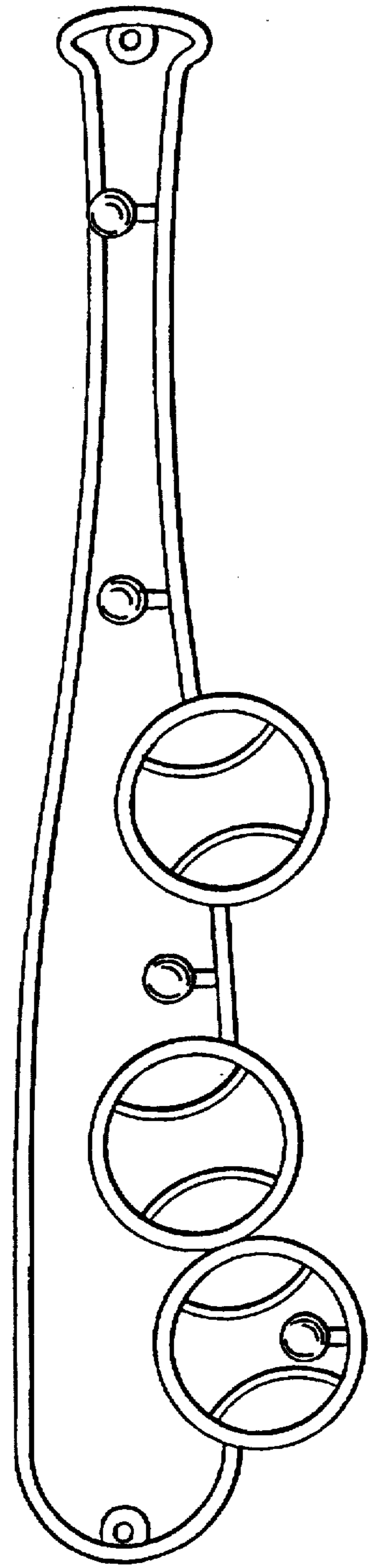


FIG.3

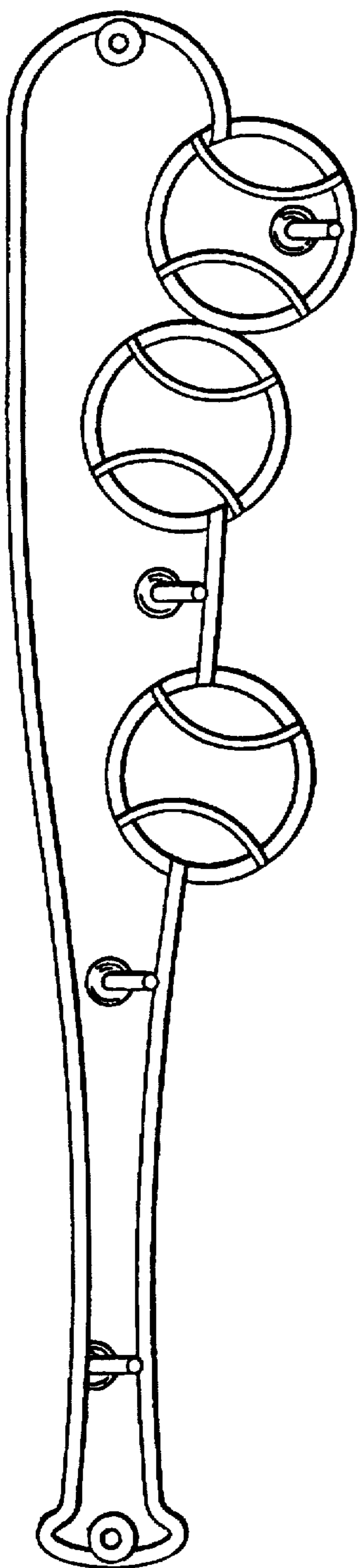


FIG.6

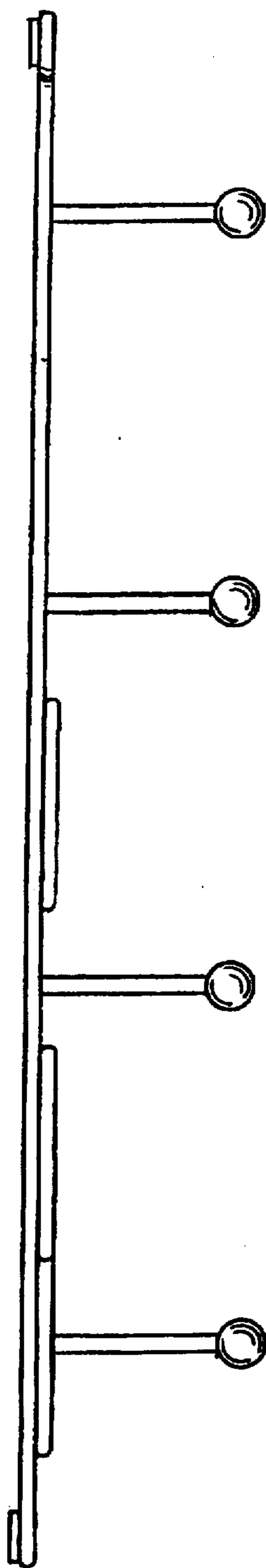


FIG.7

