



US00D388641S

**United States Patent** [19]  
**Reeves**

[11] **Patent Number:** **Des. 388,641**  
[45] **Date of Patent:** **\*\*Jan. 6, 1998**

[54] **HANGING DISPLAY RACK**

4,008,871 2/1977 Rex ..... 248/304

[76] **Inventor:** **Dennis L. Reeves, 5189 Via de Masion,  
La Verne, Calif. 91750**

*Primary Examiner*—Susan J. Lucas  
*Assistant Examiner*—Pamela Burgess  
*Attorney, Agent, or Firm*—Christie, Parker & Hale, LLP

[\*\*] **Term:** **14 Years**

[57] **CLAIM**

[21] **Appl. No.:** **62,786**

The ornamental design for a hanging display rack, as shown and described.

[22] **Filed:** **Nov. 25, 1996**

**DESCRIPTION**

[51] **LOC (6) Cl.** ..... **06-04**

[52] **U.S. Cl.** ..... **D6/513**

[58] **Field of Search** ..... D6/513, 566, 514,  
D6/546, 552, 556, 567; D20/10, 41; D8/367,  
373; 211/86, 113, 116, 181; 248/49, 58,  
176, 251, 302-304, 317, 339

FIG. 1 is a front perspective view of a hanging display rack according to my new design;  
FIG. 2 is a front elevational view thereof, the undisclosed rear being a mirror image;  
FIG. 3 is a bottom plan view thereof;  
FIG. 4 is a top plan view thereof; and,  
FIG. 5 is a side elevational view thereof, the undisclosed side being a mirror image.

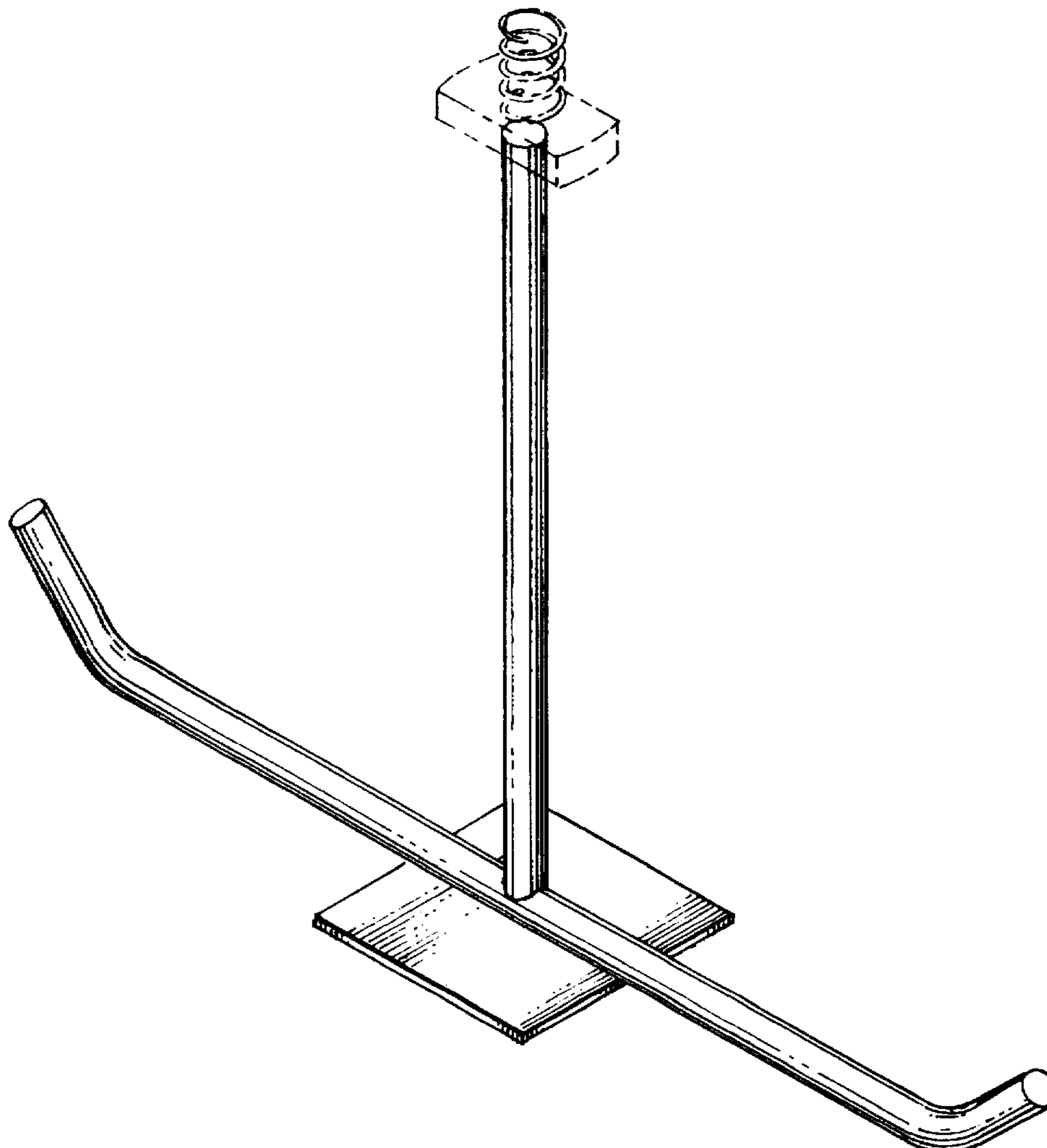
[56] **References Cited**

**U.S. PATENT DOCUMENTS**

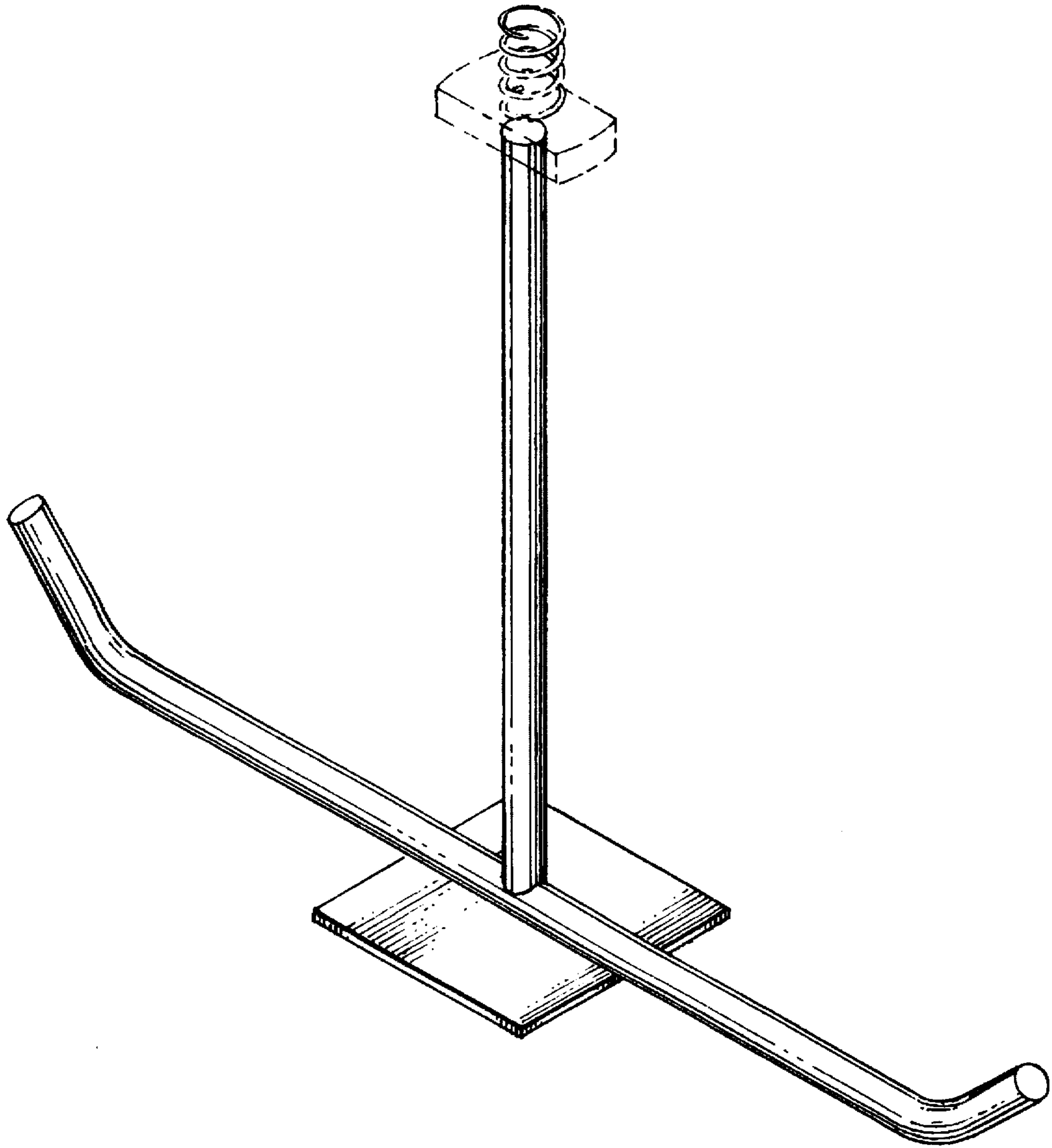
- D. 245,892 9/1977 Yocum ..... D6/513
- D. 305,587 1/1990 Possemato ..... D6/513
- D. 348,165 6/1994 Walaski ..... D6/513 X
- 1,706,887 3/1929 Knostman ..... D6/513 X

The broken lines shown in FIGS. 1, 2, 4 and 5 are for illustrative purposes only and form no part of the claimed design.

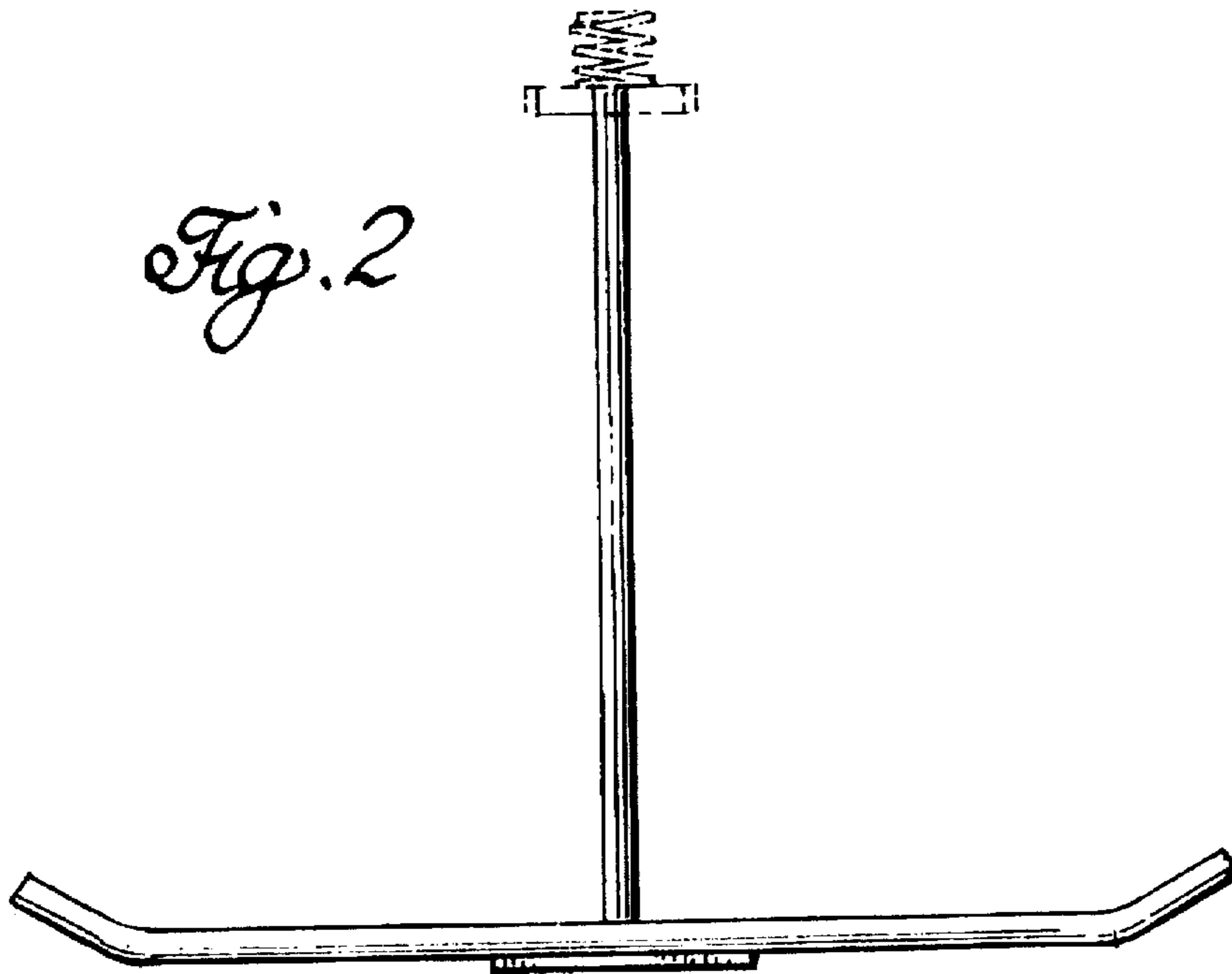
**1 Claim, 3 Drawing Sheets**



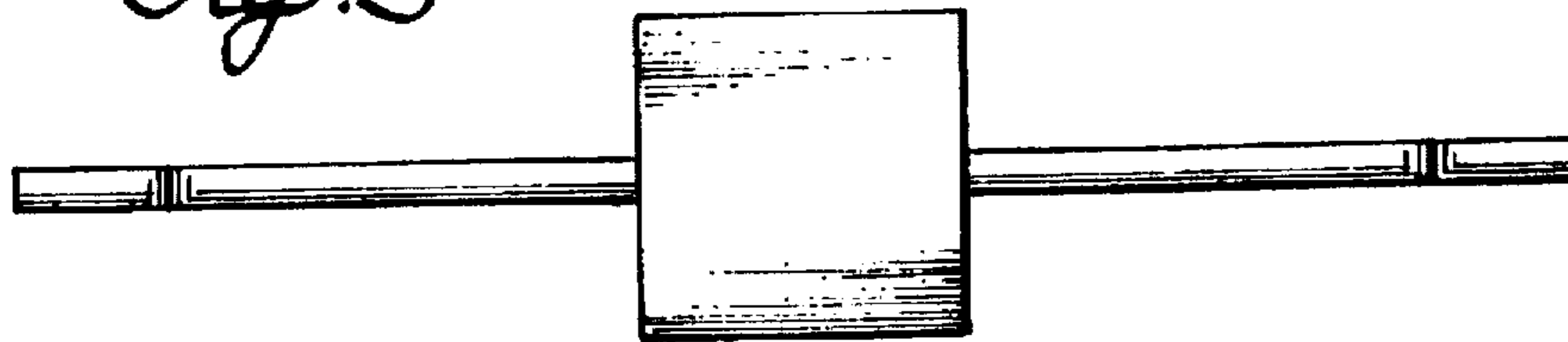
*Fig. 1*



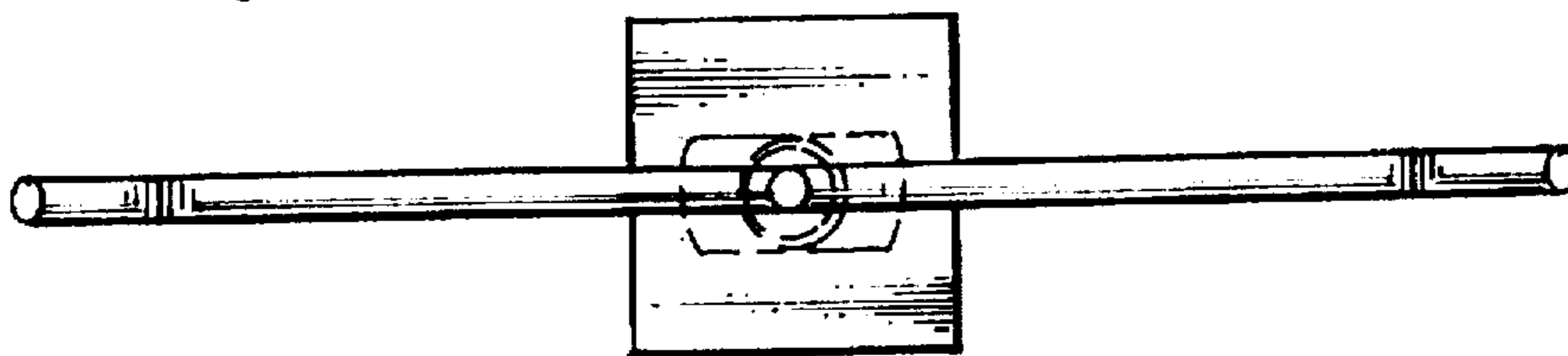
*Fig. 2*



*Fig. 3*



*Fig. 4*



*Fig. 5*

