



US00D388638S

United States Patent [19]

[11] Patent Number: **Des. 388,638**

Ludlam et al.

[45] Date of Patent: ****Jan. 6, 1998**

[54] **FOLDING TABLE**

[76] Inventors: **Dale Ludlam; Maebelle Ludlam**, both of P.O. Box 477, Waldo, Ark. 71770

[**] Term: **14 Years**

[21] Appl. No.: **63,571**

[22] Filed: **Dec. 10, 1996**

[51] LOC (6) Cl. **06-03**

[52] U.S. Cl. **D6/480; D6/429**

[58] Field of Search **D6/480-489, 429-431, D6/495, 496, 498, 499; 108/118, 120, 144, 146, 153, 157, 161**

[56] **References Cited**

U.S. PATENT DOCUMENTS

2,601,357	6/1952	Allbritton	108/118
2,618,525	11/1952	Panzer	108/118 X
3,646,895	3/1972	Campbell	108/118
5,584,254	12/1996	Williams	108/118

OTHER PUBLICATIONS

The Winfield Collection catalog, #36, p. 37, 190 FTAB Folding Tables.

Primary Examiner—Janice E. Seeger

Attorney, Agent, or Firm—Mark Rogers; Gary N. Speed

[57] **CLAIM**

The ornamental design for a folding table, as shown and described.

DESCRIPTION

FIG. 1 is a perspective view of the folding table showing our new design in the deployed position;
 FIG. 2 is a front elevational view thereof in the deployed position;
 FIG. 3 is a side of elevational view taken from the right side thereof in the deployed position;
 FIG. 4 is a rear elevational view in the deployed position;
 FIG. 5 is a side elevational view taken from the left side thereof in the deployed position;
 FIG. 6 is a top plan view thereof in the deployed position;
 FIG. 7 is a bottom plan view thereof in the deployed position;
 FIG. 8 is a perspective view of the folding table showing our new design in the folded position;
 FIG. 9 is a front elevational view thereof in the folded position;
 FIG. 10 is a side of elevational view taken from the right side thereof in the folded position;
 FIG. 11 is a bottom plan view thereof in the folded position;
 and,
 FIG. 12 is a top plan view thereof in the folded position.

1 Claim, 5 Drawing Sheets

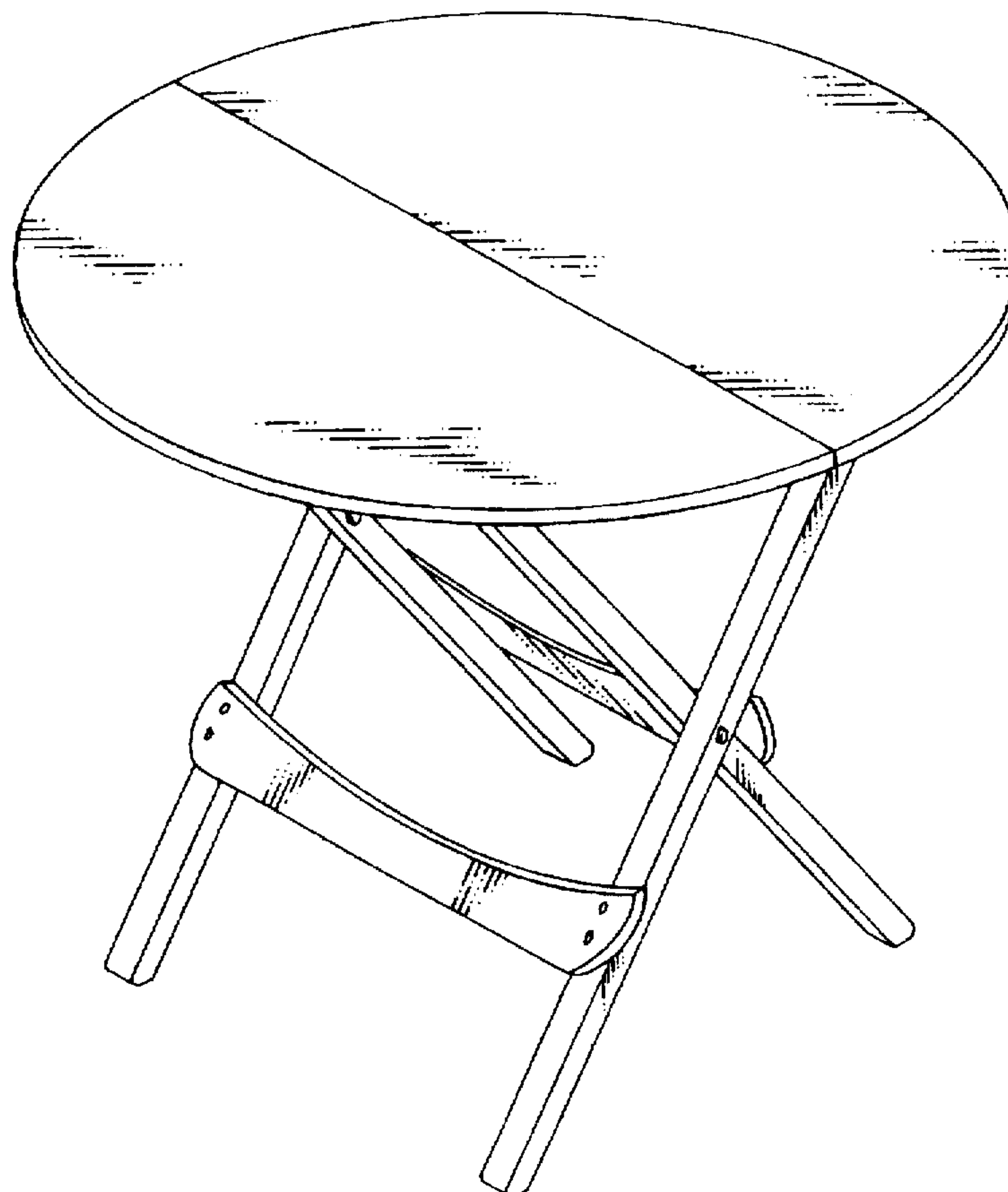


FIG. 1

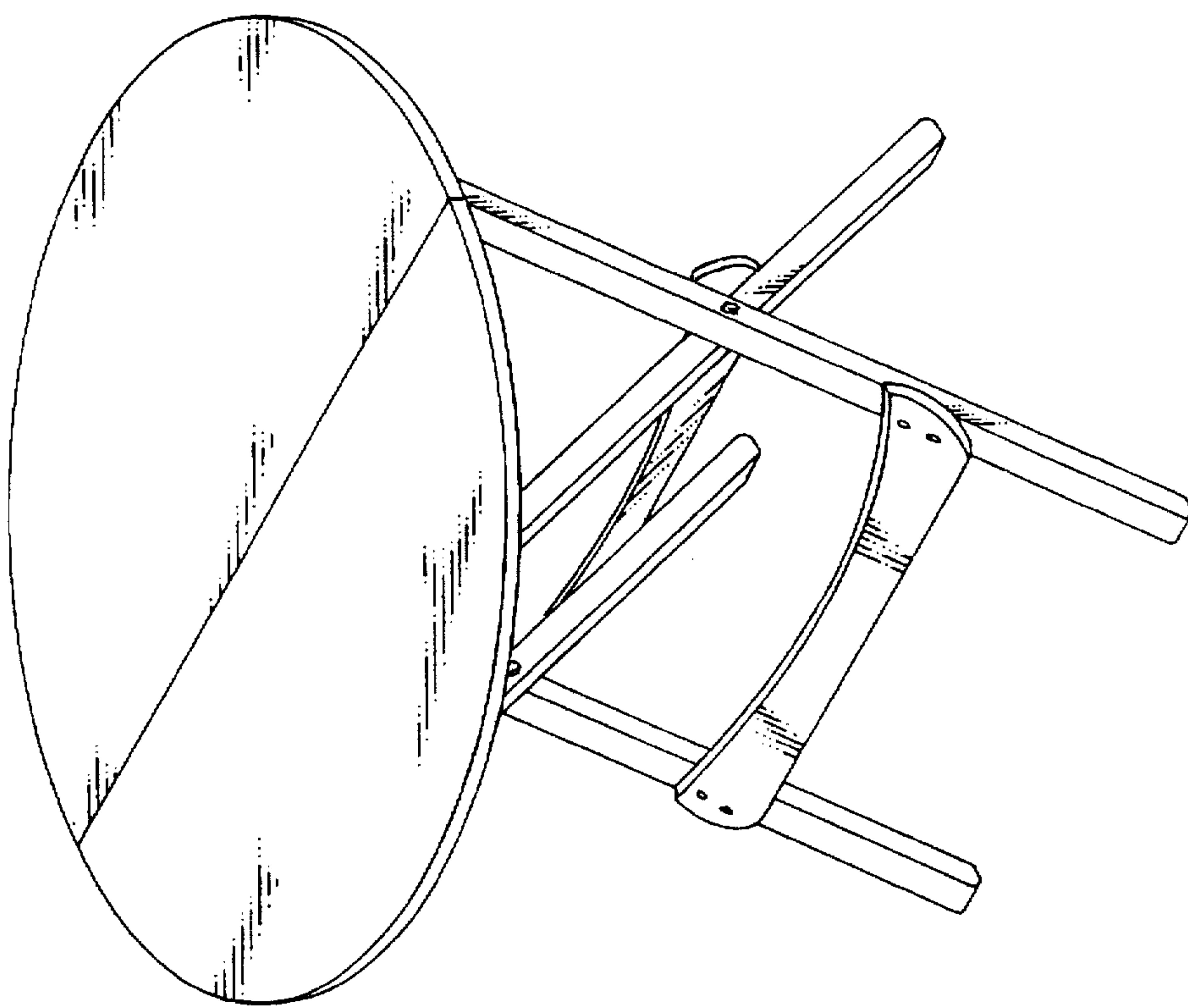


FIG. 2

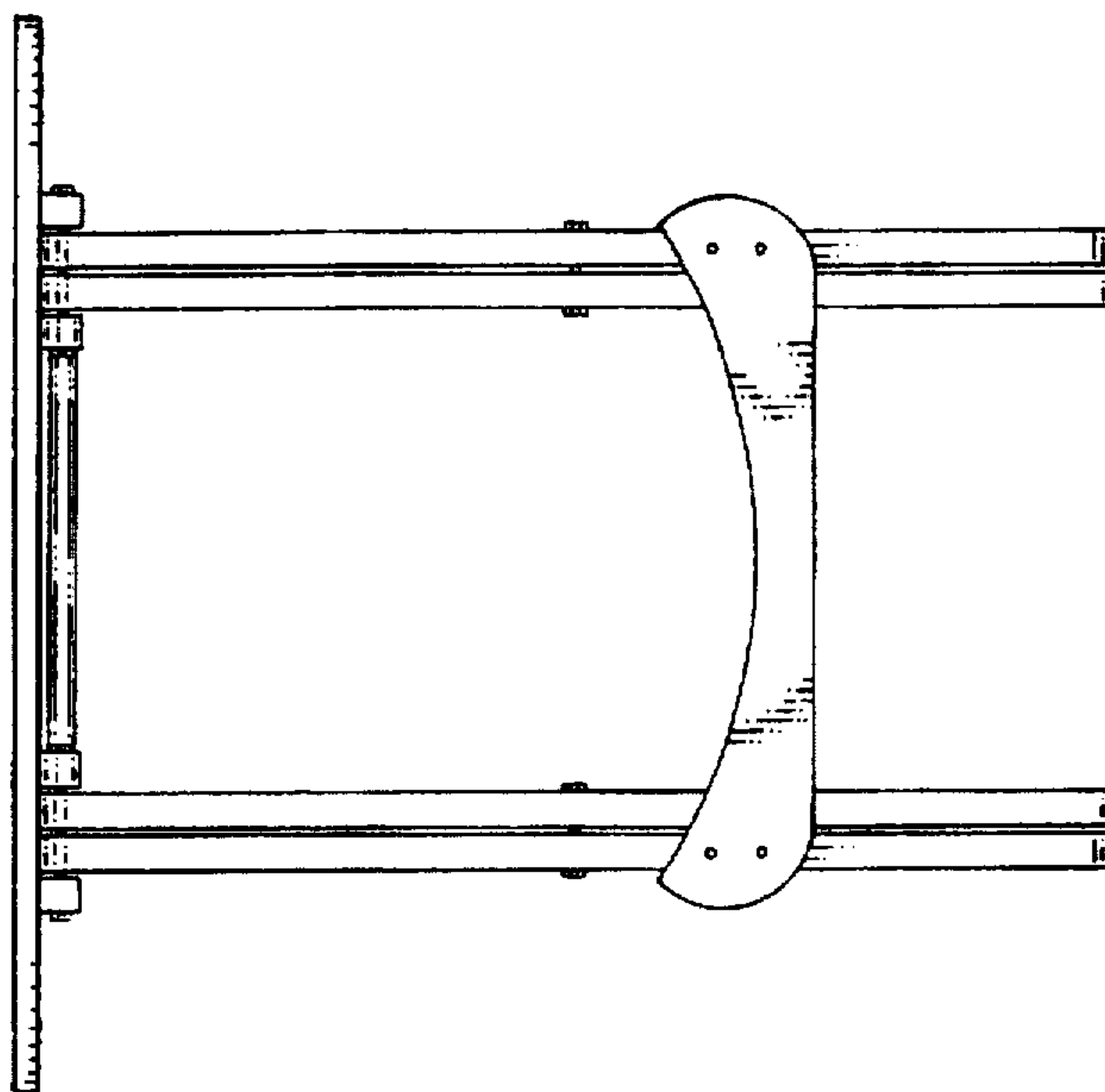


FIG. 3

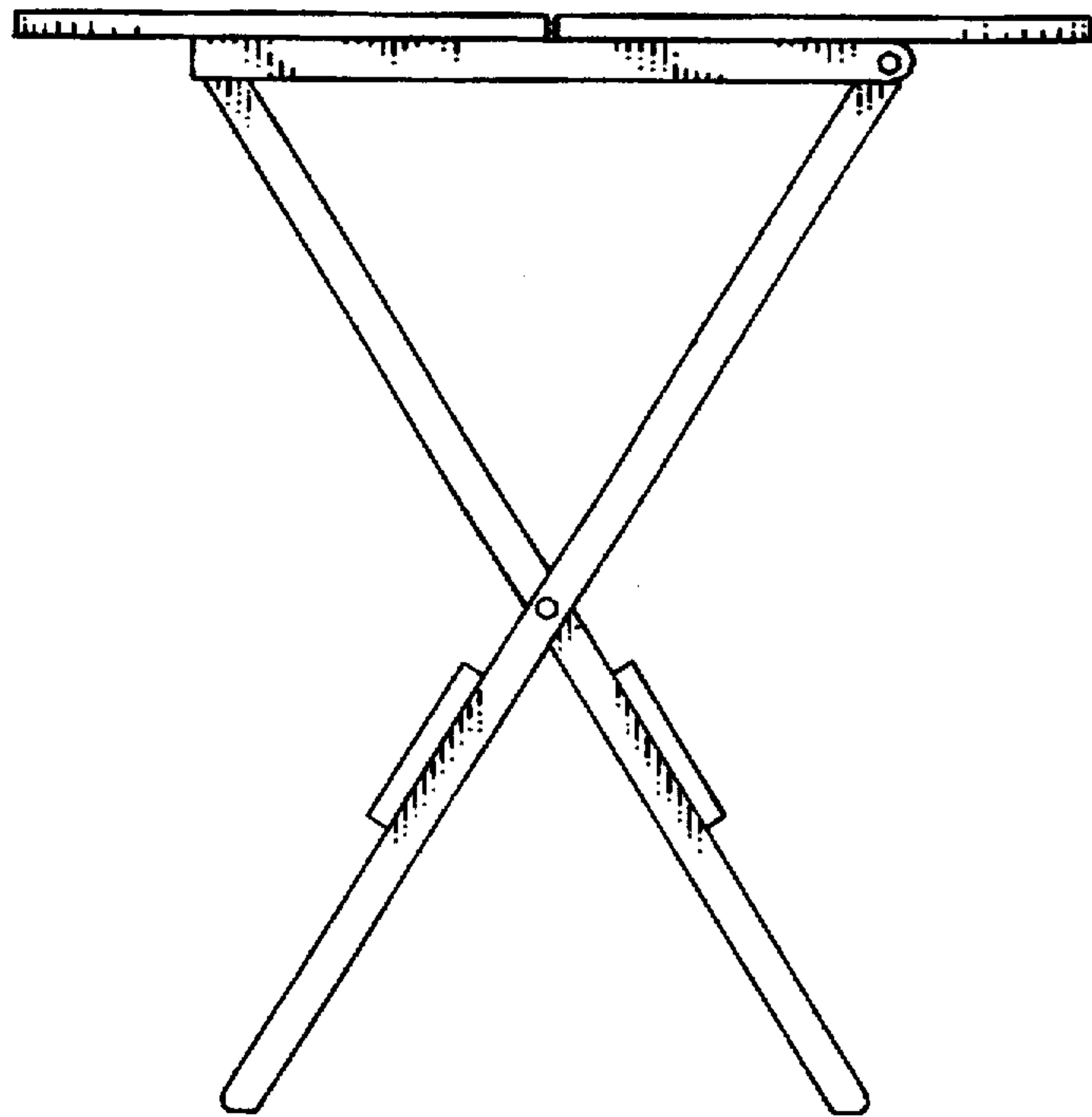


FIG. 4

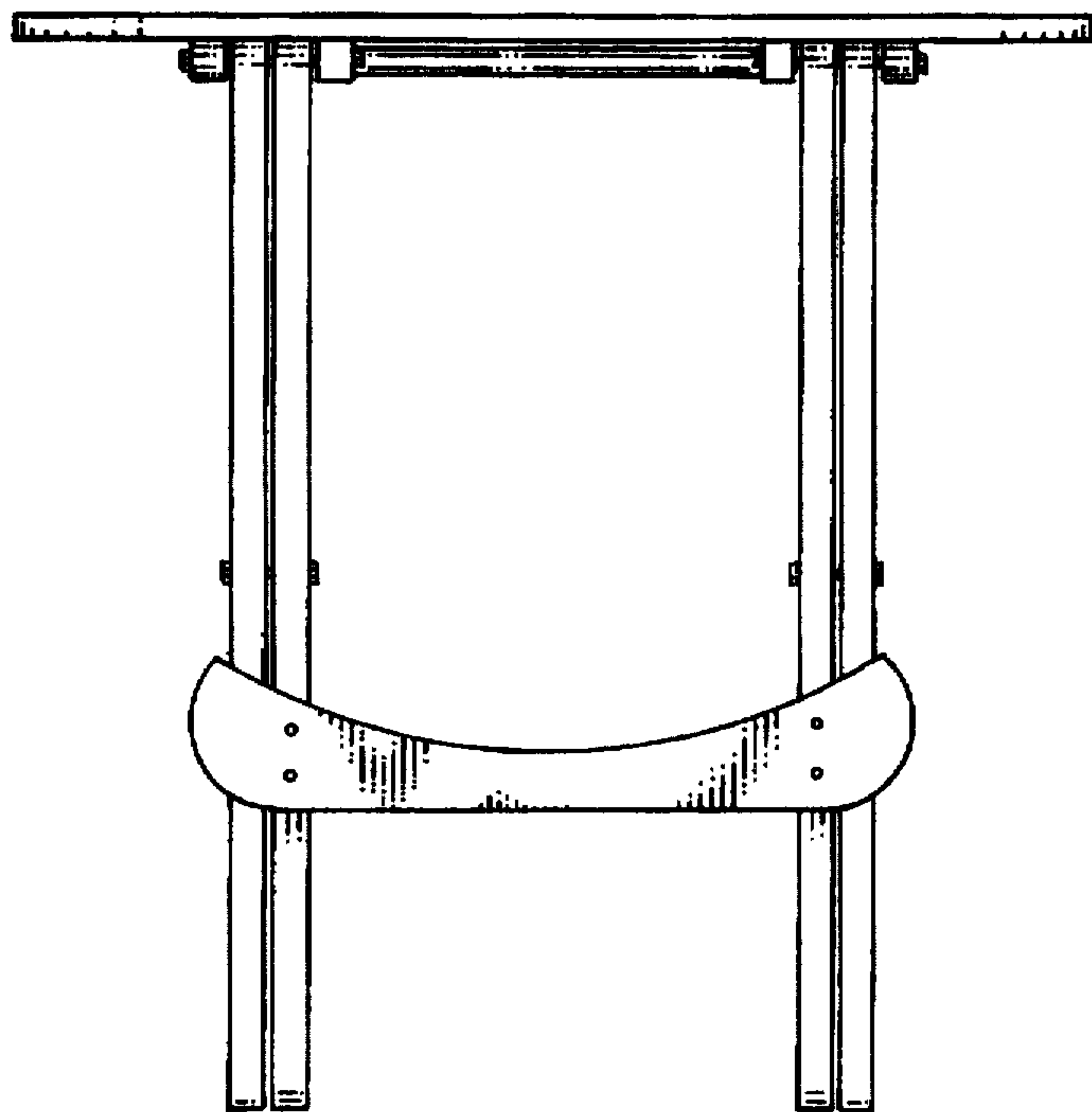


FIG. 5

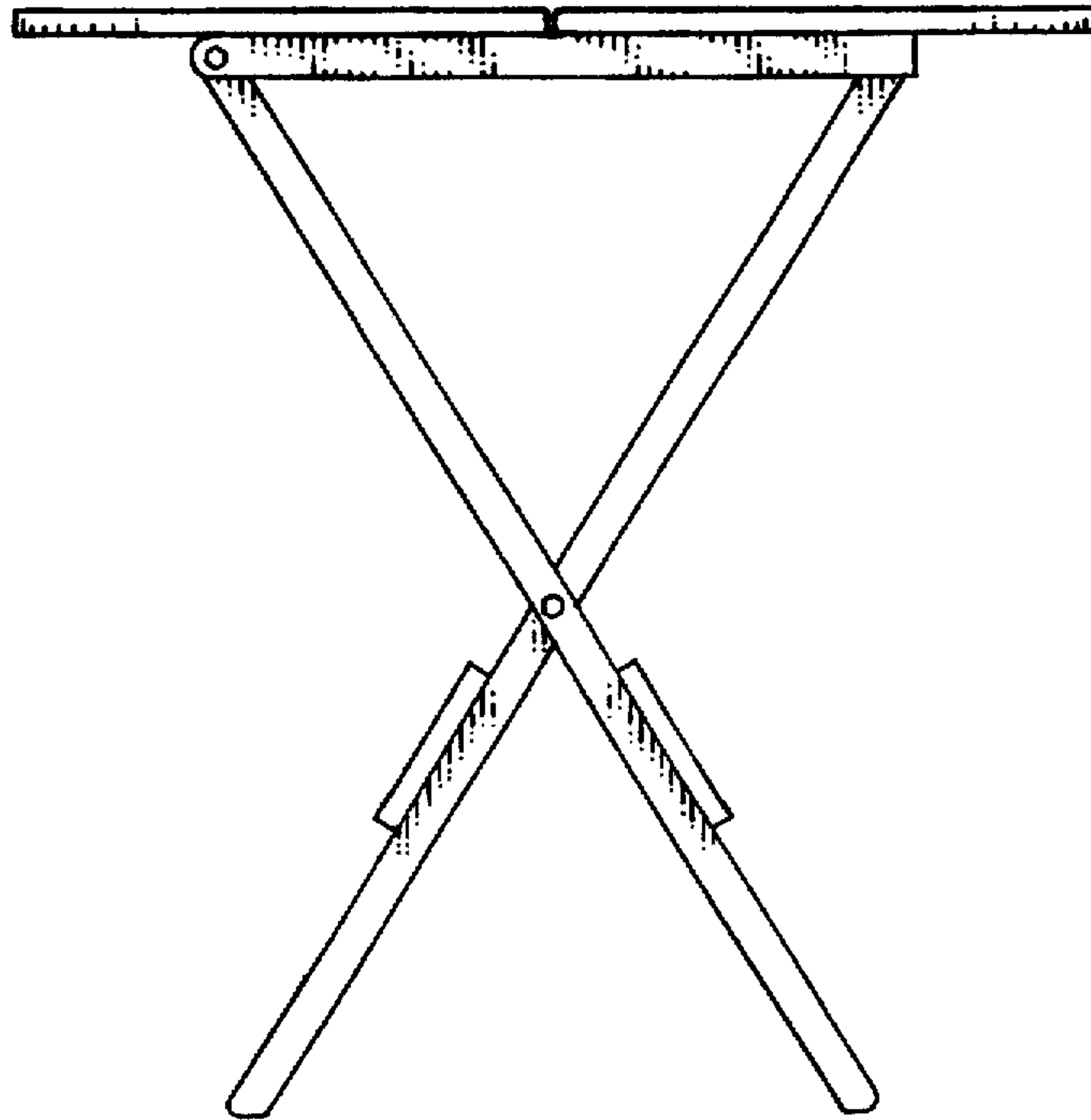


FIG. 6

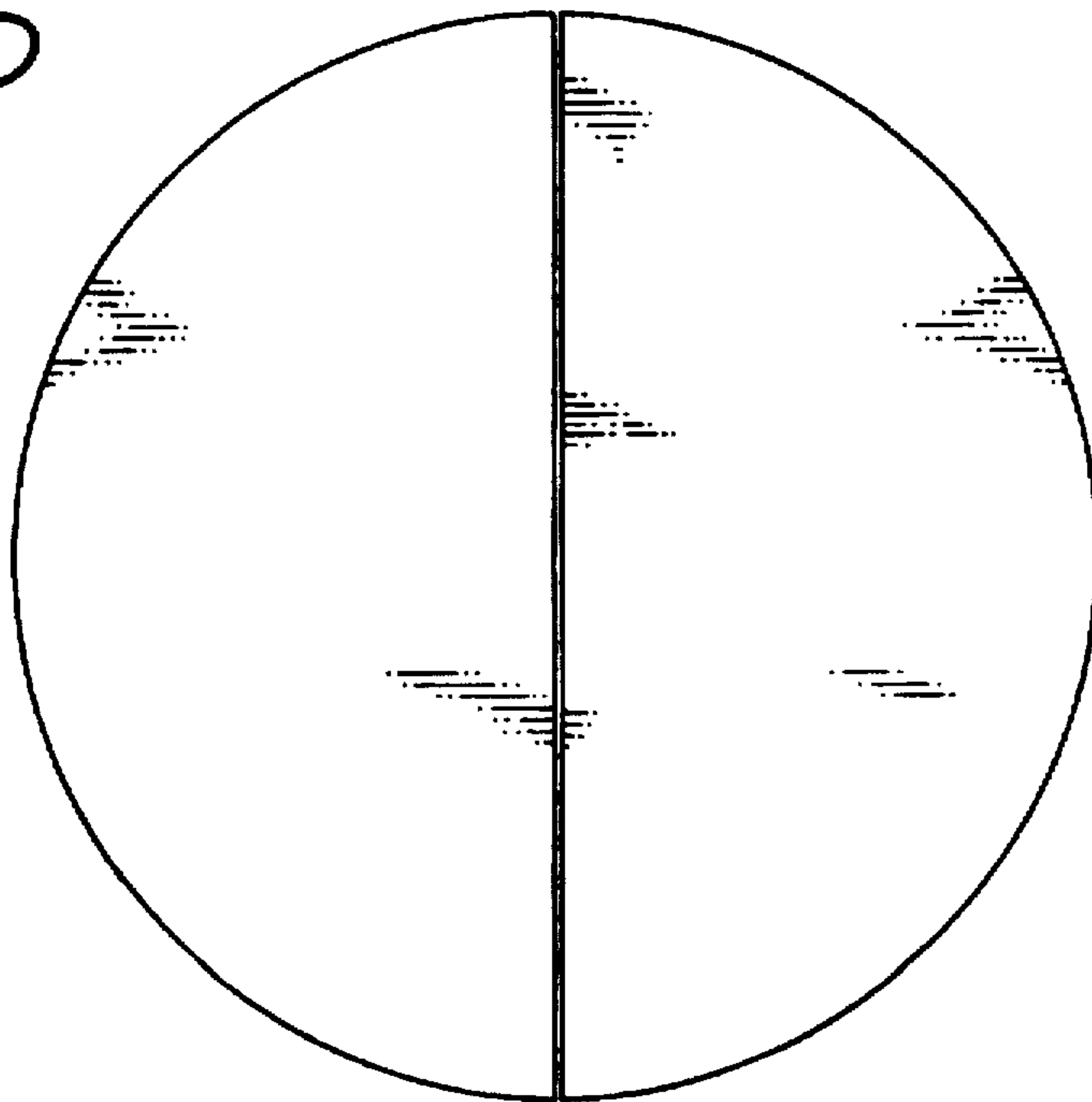


FIG. 7

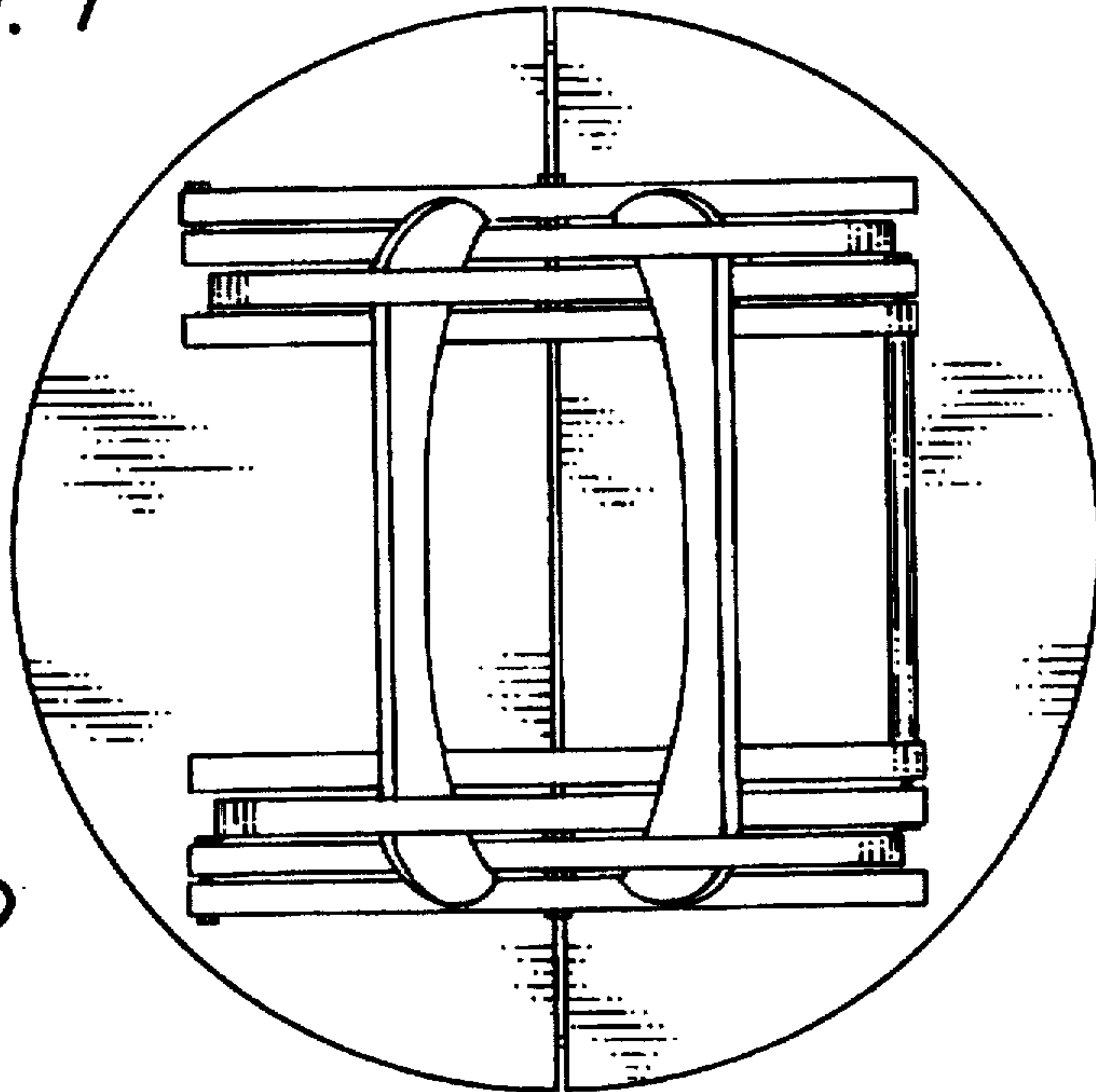


FIG. 8

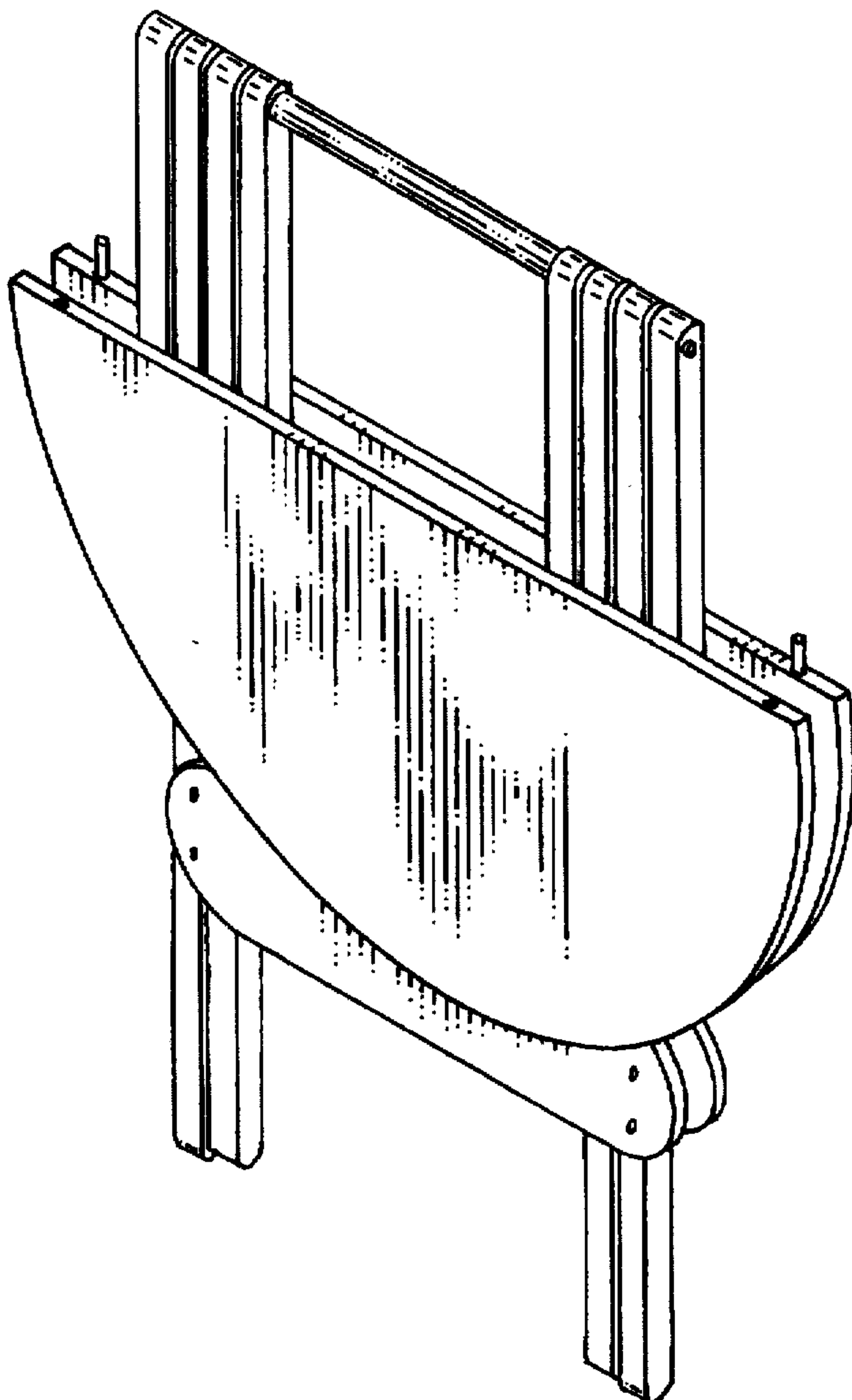


FIG. 9

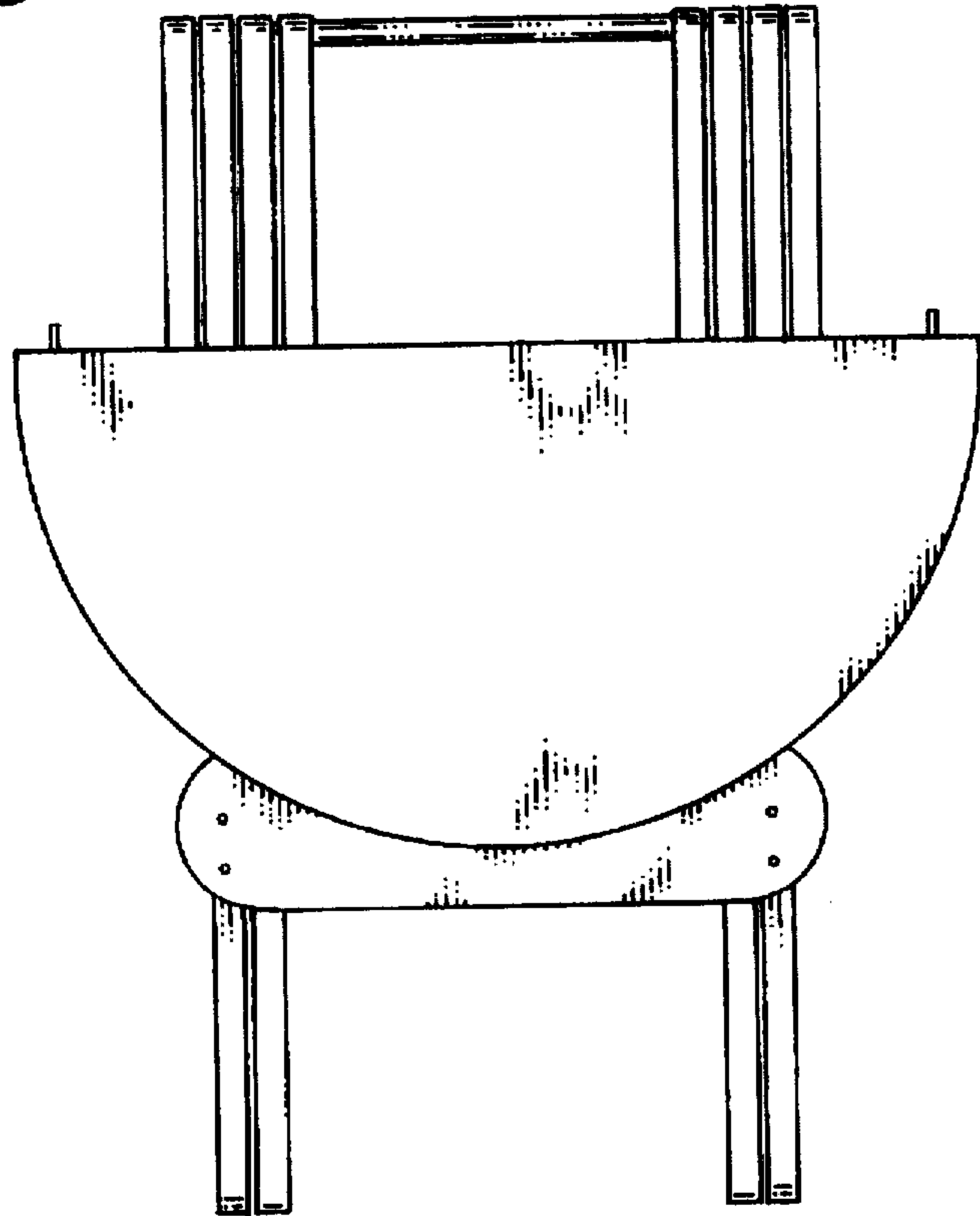


FIG. 10



FIG. 11

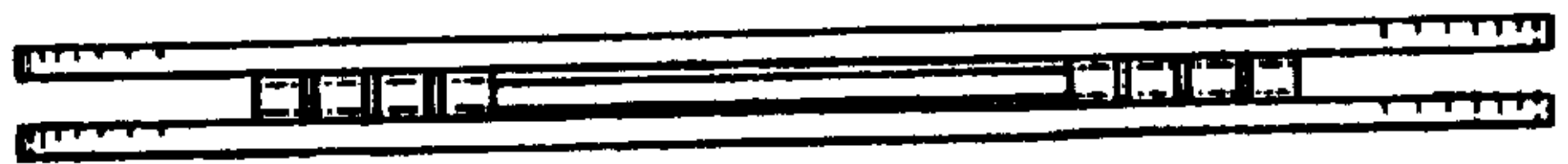


FIG. 12

