



US00D388634S

United States Patent [19]

Mulligan et al.

[11] Patent Number: **Des. 388,634**

[45] Date of Patent: ****Jan. 6, 1998**

[54] **REMOVABLE TRAY TABLE**

[76] Inventors: **Richard Mulligan; Mollie Mulligan,**
both of 2020 Coldwater Canyon Dr.,
Los Angeles, Calif. 90046

[**] Term: **14 Years**

[21] Appl. No.: **60,296**

[22] Filed: **Sep. 20, 1996**

[51] LOC (6) Cl. **06-04**

[52] U.S. Cl. **D6/436**

[58] Field of Search D6/432, 434, 436-439,
D6/445-448; 312/108, 198, 204

[56] **References Cited**

U.S. PATENT DOCUMENTS

D. 49,477 8/1916 Minch D6/484
D. 193,717 10/1962 Deaton D6/446
2,499,773 3/1950 Owens 312/235.1

OTHER PUBLICATIONS

IKEA 1994, p. 242, #8 Bjorkvalla table.
IKEA 1991, p. 114, Fagerli table at right center.
IKEA 1992, p. 161, #5 Stockholm table.

Primary Examiner—Janice E. Seeger
Attorney, Agent, or Firm—Heslin & Rothenberg, PC

[57] **CLAIM**

The ornamental design for a removable tray table, as shown and described.

DESCRIPTION

FIG. 1 is an isometric view of a removable tray table showing our new design;

FIG. 2 is a top plan view thereof;

FIG. 3 is a front elevational view thereof;

FIG. 4 is a side elevational view thereof, the opposite side being a mirror image thereof;

FIG. 4 is a back elevational view thereof;

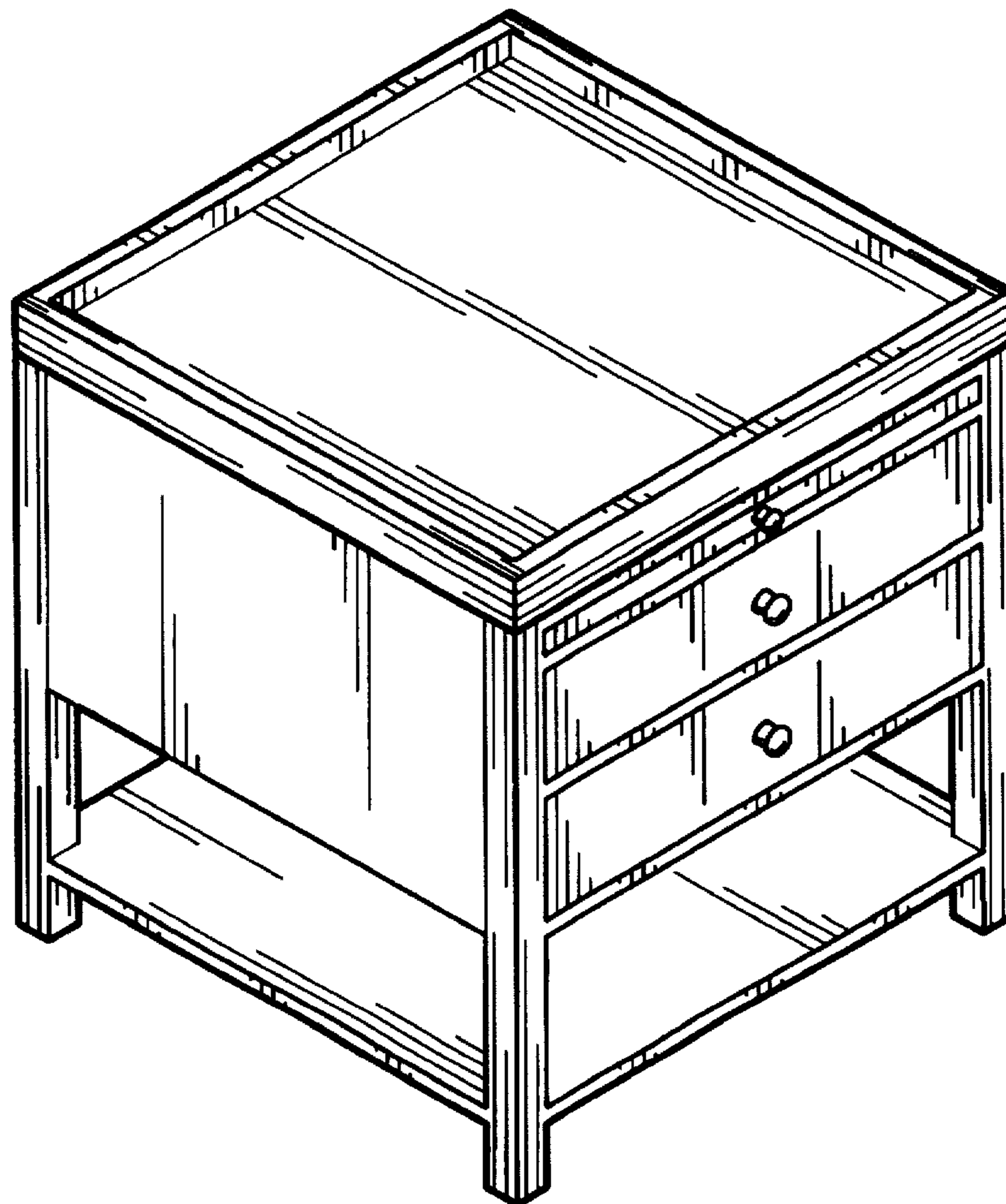
FIG. 6 is a bottom plan view thereof;

FIG. 7 is an isometric view thereof with the removable tray removed for convenience of illustration of the underlying table; and,

FIG. 8 is a further isometric view of our new design.

The broken lines shown in the lower shelf of FIG. 8 are for environmental purposes only and form no part of the claimed design.

1 Claim, 5 Drawing Sheets



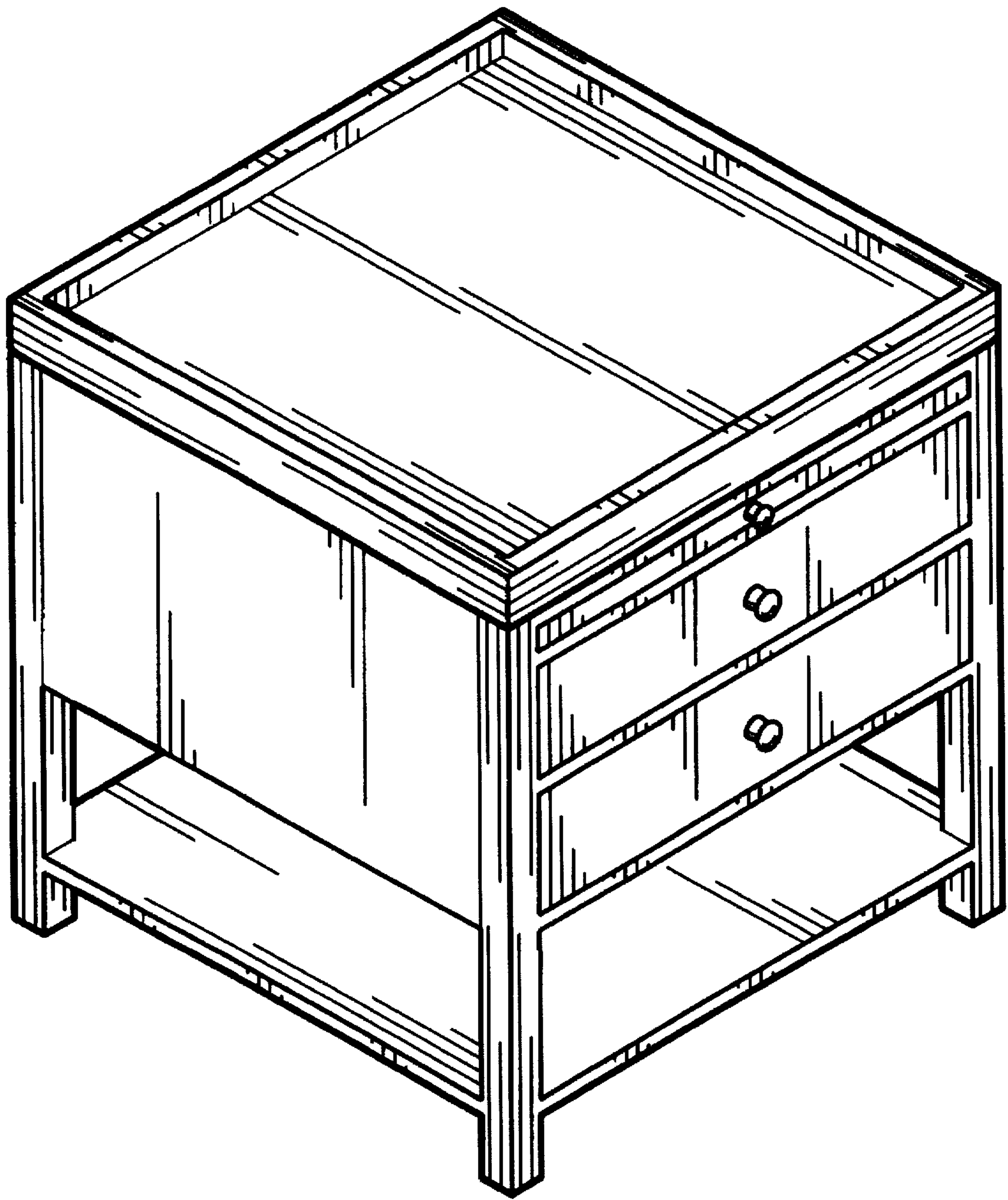


FIG. 1

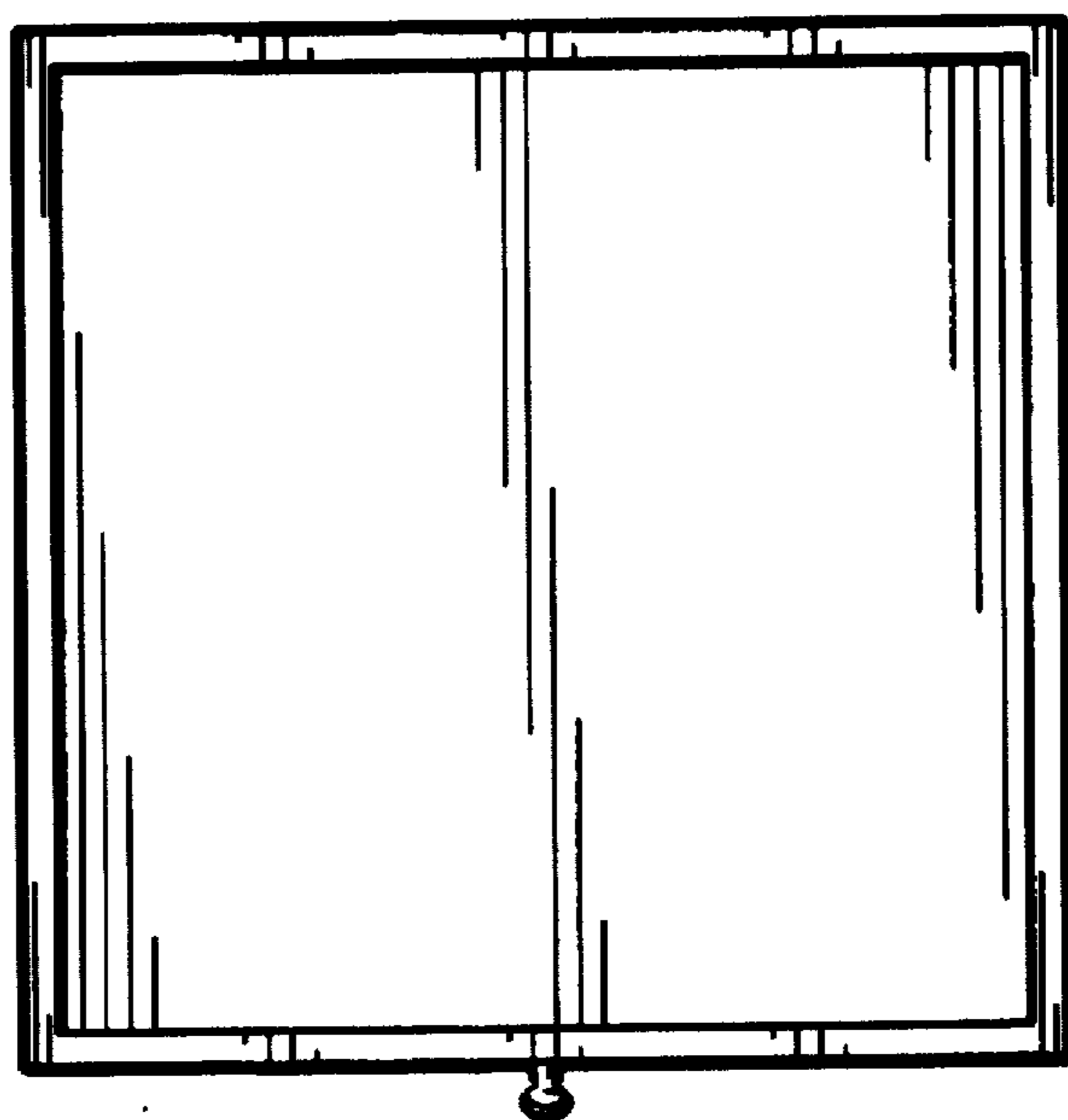


FIG. 2

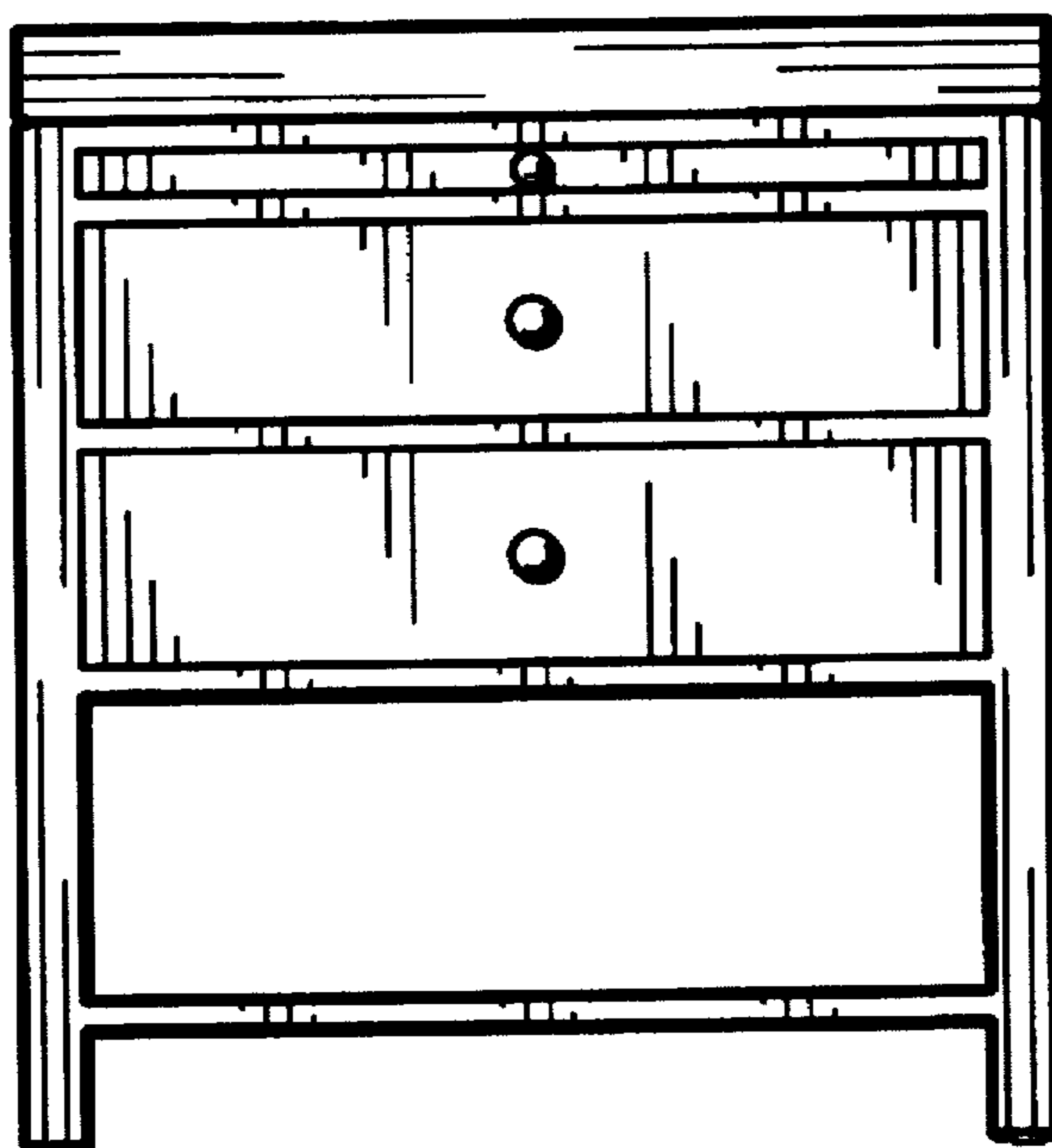


FIG. 3

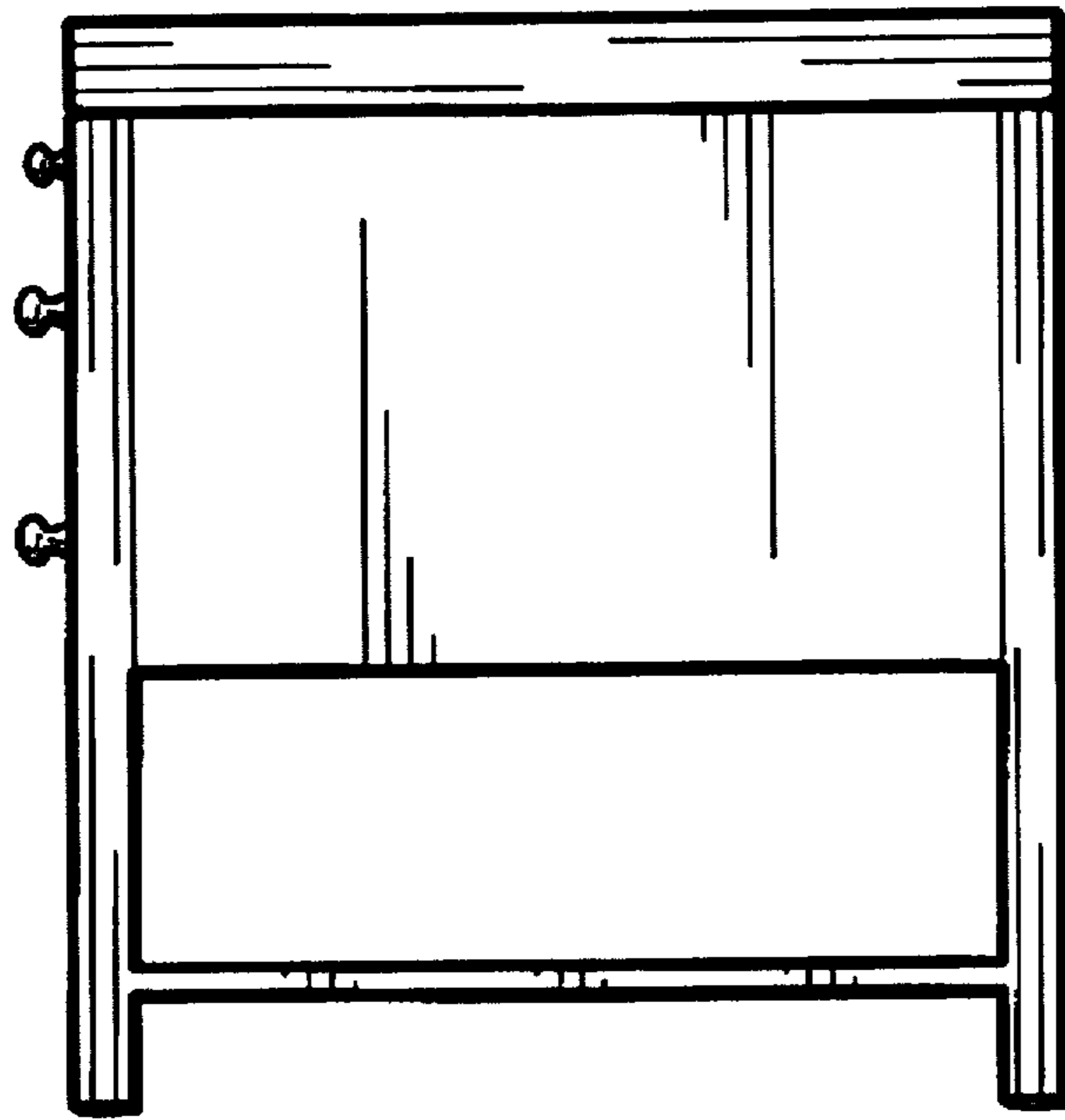


FIG. 4

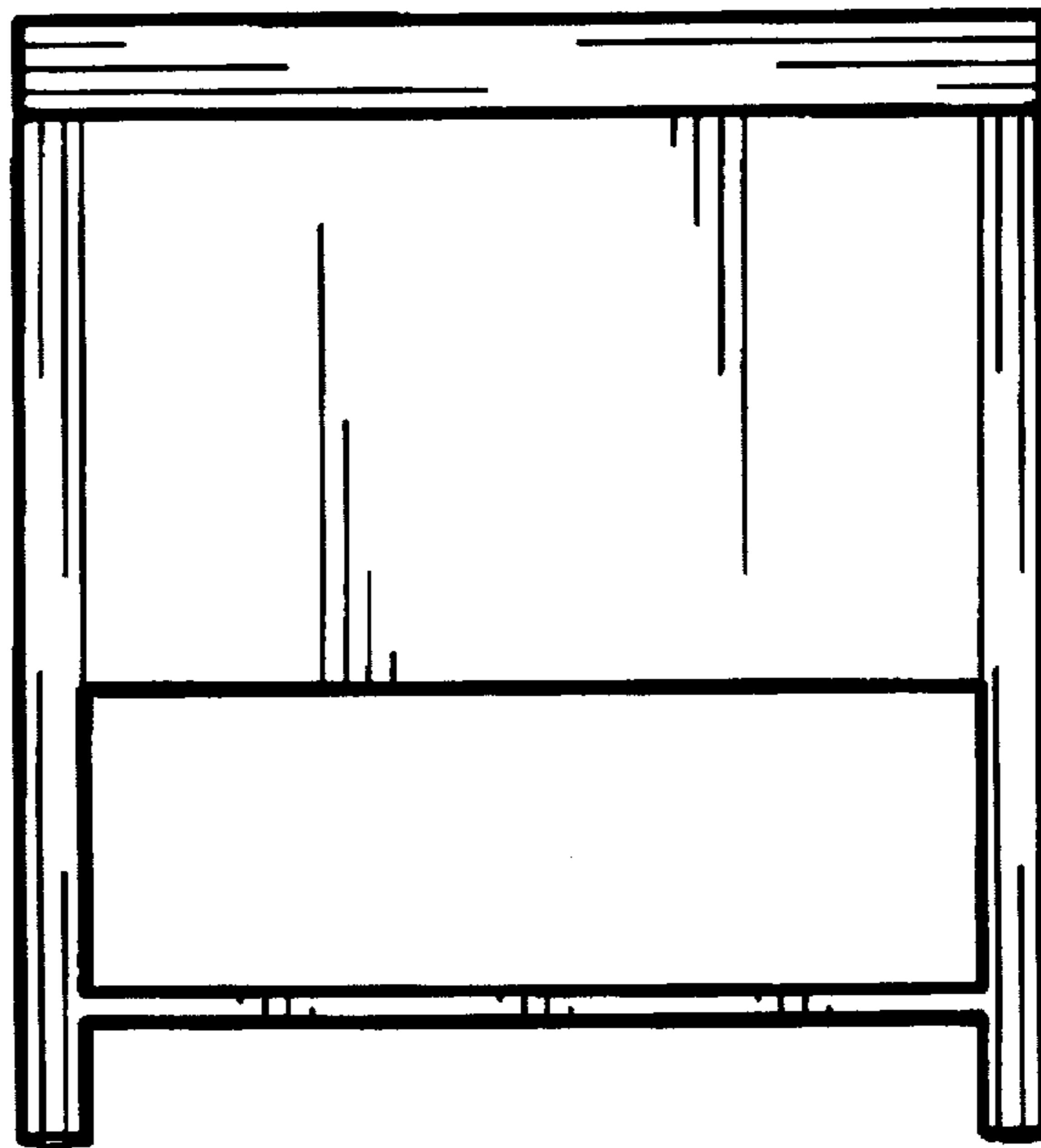


FIG. 5

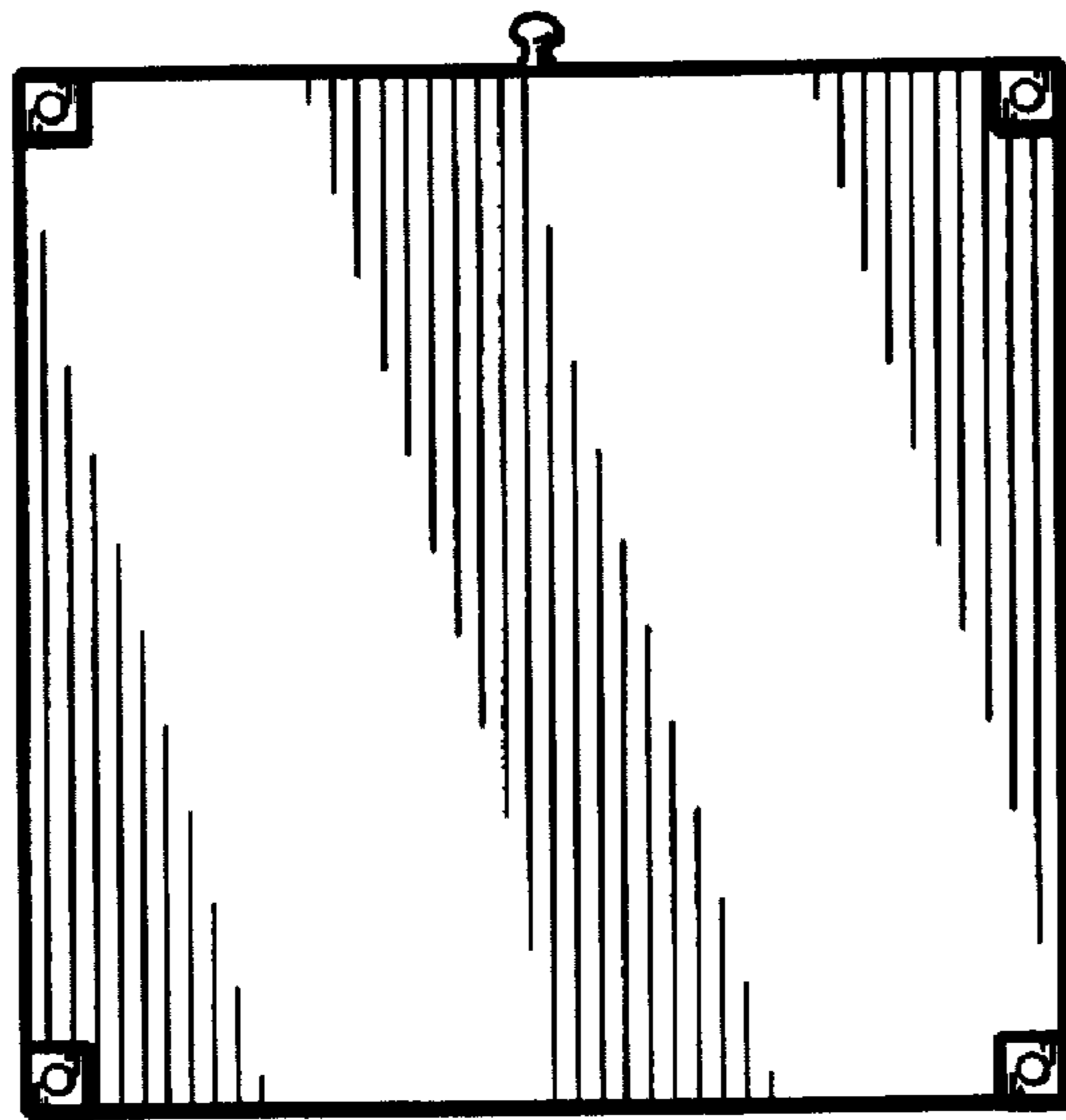


FIG. 6

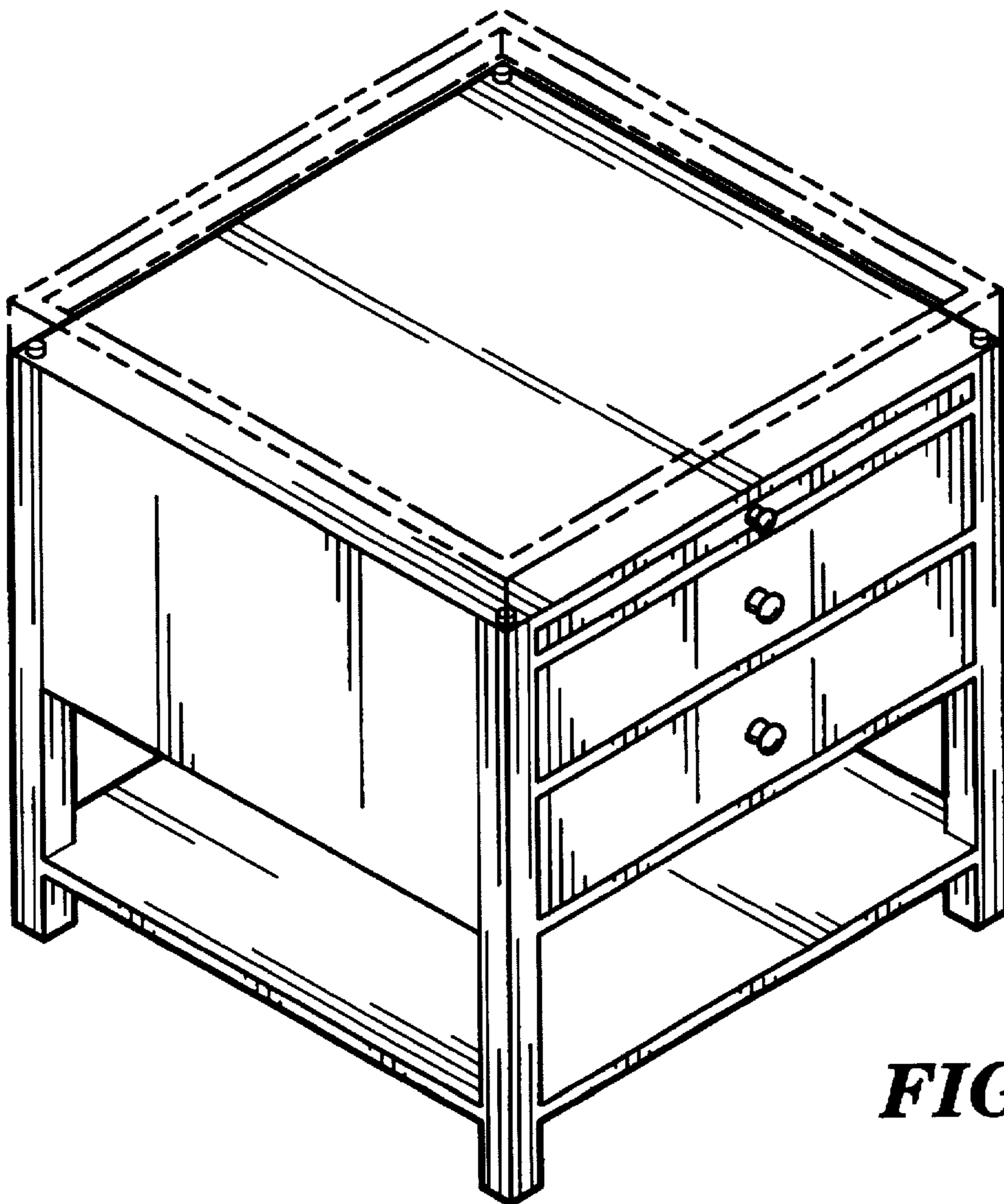


FIG. 7

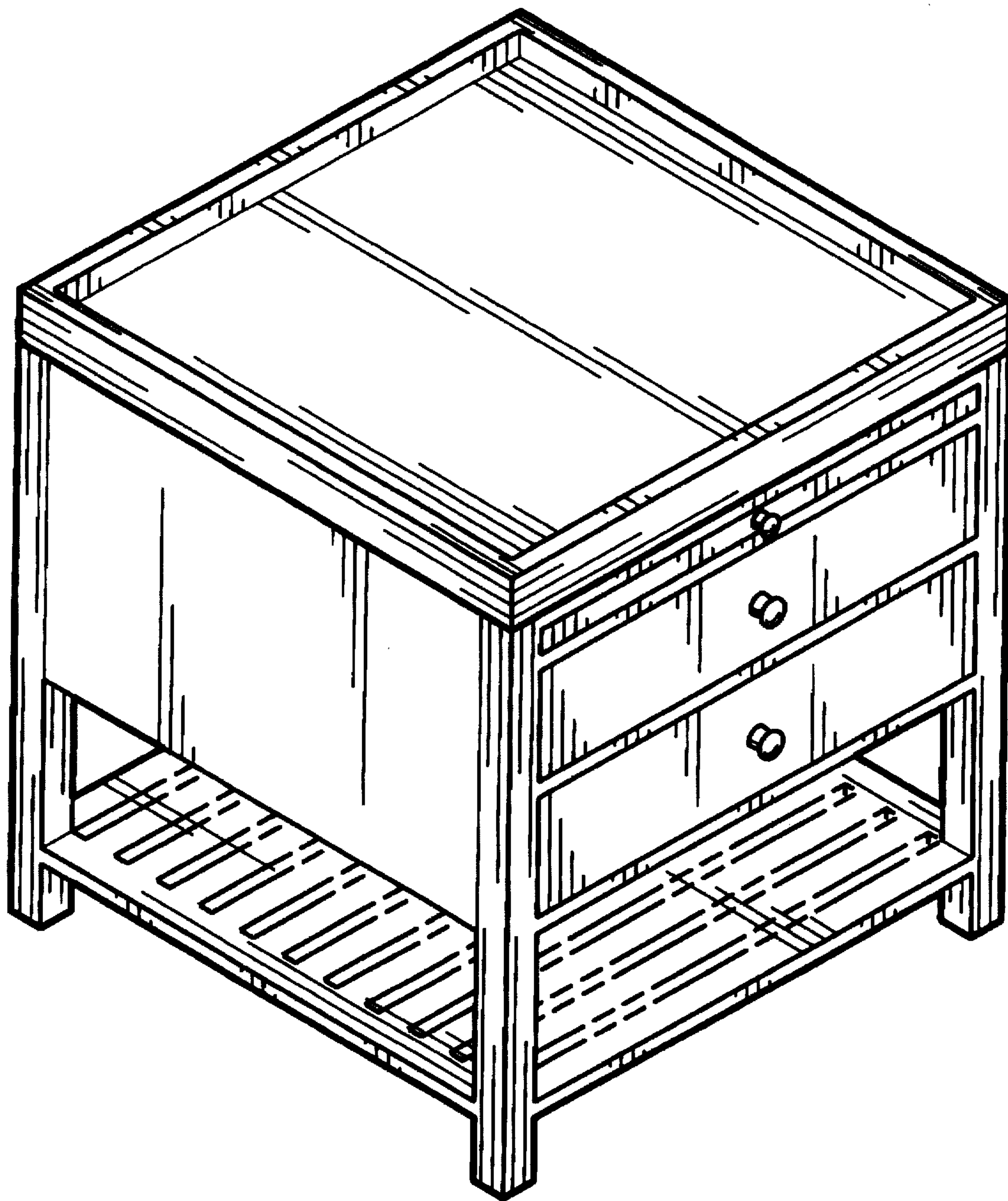


FIG. 8