



US00D388619S

United States Patent [19]

Klein et al.

[11] Patent Number: **Des. 388,619**

[45] Date of Patent: ****Jan. 6, 1998**

[54] **CLOTHES HOOK**

[75] Inventors: **Richard B. Klein, Overland Park;
Chris Serslev, Leawood, both of Kans.**

[73] Assignee: **Lynk, Inc., Shawnee Mission, Kans.**

[**] Term: **14 Years**

[21] Appl. No.: **47,146**

[22] Filed: **Nov. 28, 1995**

Related U.S. Application Data

[63] Continuation-in-part of Ser. No. 289,006, Aug. 11, 1994,
Pat. No. 5,558,307.

[51] **LOC (6) Cl.** **06-06**

[52] **U.S. Cl.** **D6/323**

[58] **Field of Search** **D6/320, 323, 567;
D8/367, 312, 352; 248/304, 303, 309.1,
309.2; 211/16, 105.1**

[56] References Cited

U.S. PATENT DOCUMENTS

15,754	1/1856	Russell, Jr.	D8/312
D. 202,029	8/1965	Blum et al.	D8/352
239,465	3/1881	Delany .		
281,838	7/1883	Cook .		
D. 290,495	6/1987	Ryan	D8/310 X
D. 301,807	6/1989	Friedman	D6/323

301,807	7/1884	Conraetz .		
354,729	12/1886	Montgomery, Jr. .		
D. 361,671	8/1995	Sharpe	D6/323
1,086,200	2/1914	Michie .		
1,305,560	6/1919	Okamoto .		
1,377,444	5/1921	Shoemaker .		
2,504,910	4/1950	Wellington .		
3,185,427	5/1965	Peras .		
3,637,084	1/1972	Uitz .		
3,740,013	6/1973	Bentley et al.	D8/367 X
4,094,030	6/1978	Saad .		
4,760,912	8/1988	Vaida .		
4,944,480	7/1990	Jarrett .		
4,974,286	12/1990	Stowell .		
5,558,307	9/1996	Klein et al.	248/304 X

Primary Examiner—Paula A. Mortimer
Attorney, Agent, or Firm—Kokjer, Kircher, Bowman & Johnson

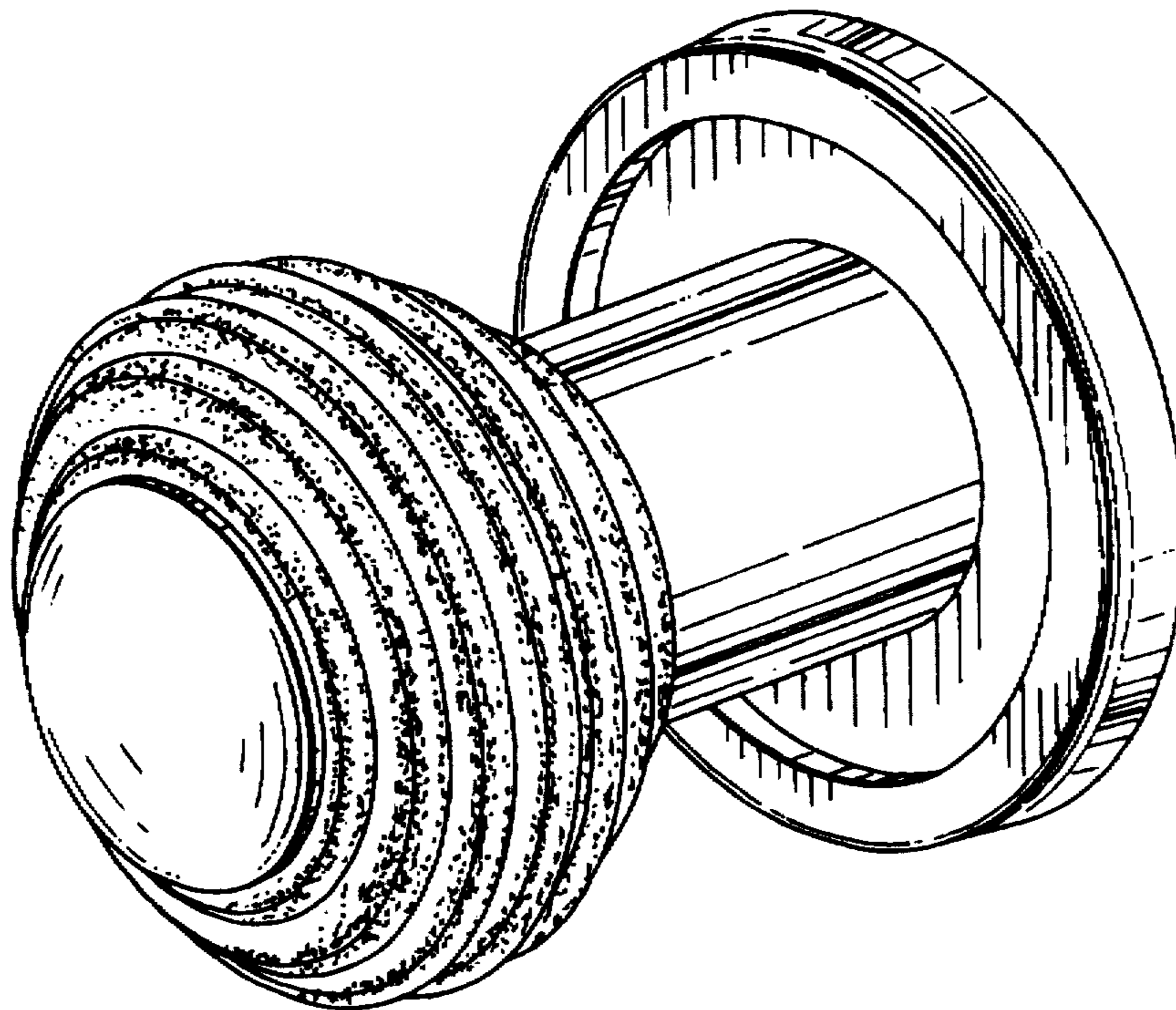
[57] CLAIM

The ornamental design for a clothes hook, as shown and described.

DESCRIPTION

FIG. 1 is a front right perspective view of a clothes hook showing our new design;
FIG. 2 is a left side elevational view thereof, with the opposite side being a mirror image thereof;
FIG. 3 is a front elevational view thereof; and,
FIG. 4 is a rear elevational view thereof.

1 Claim, 1 Drawing Sheet



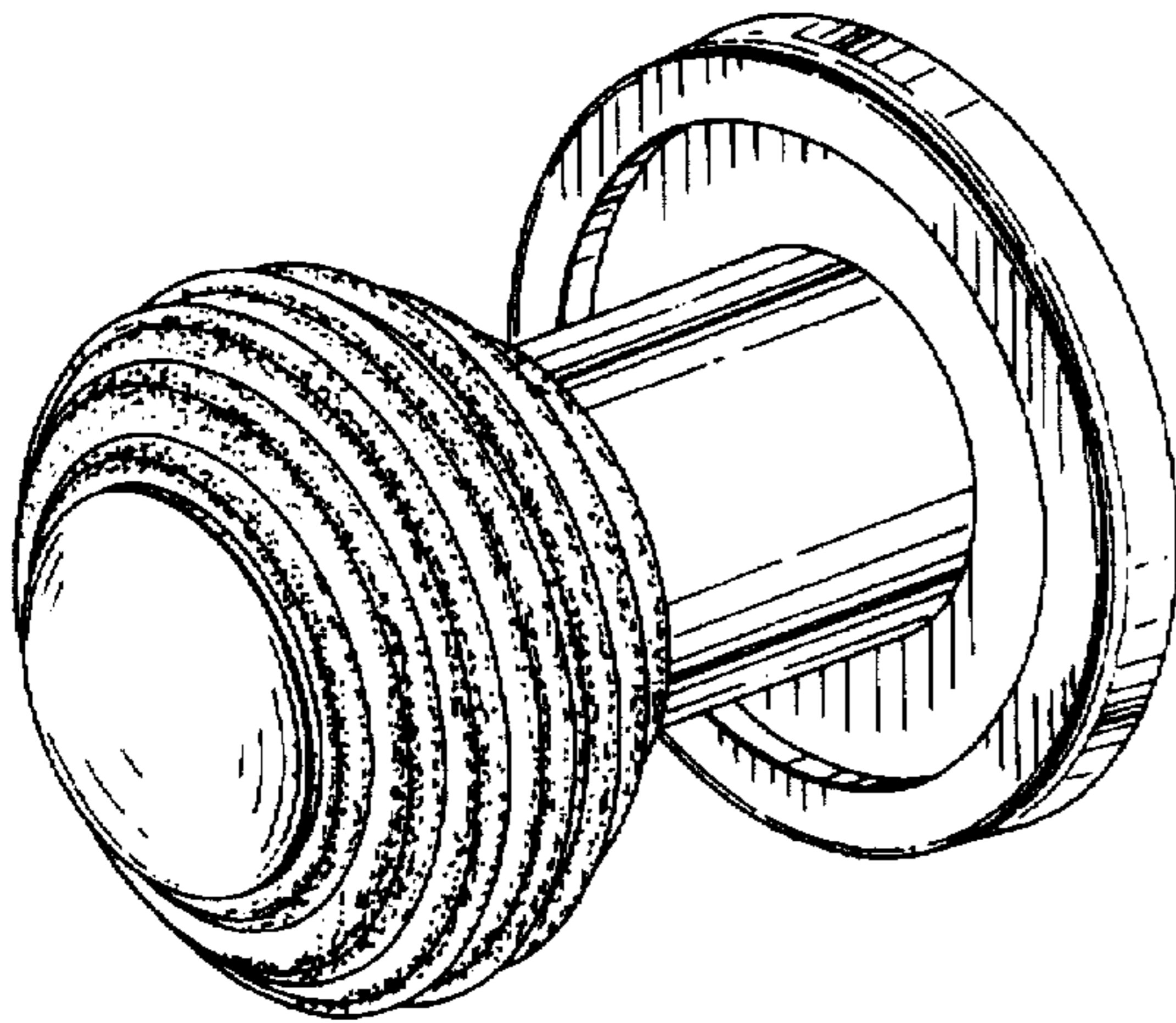


Fig. 1.

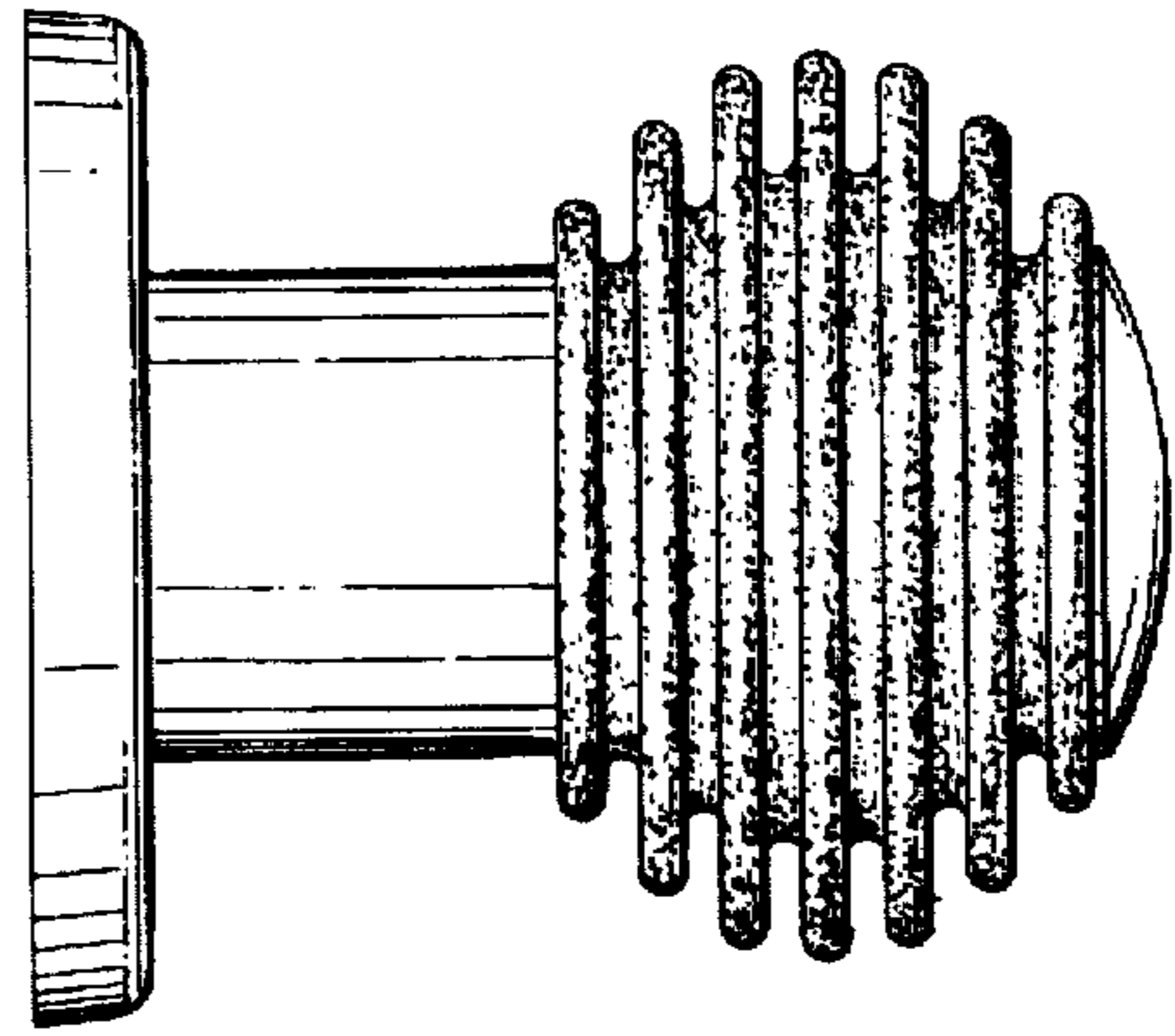


Fig. 2.

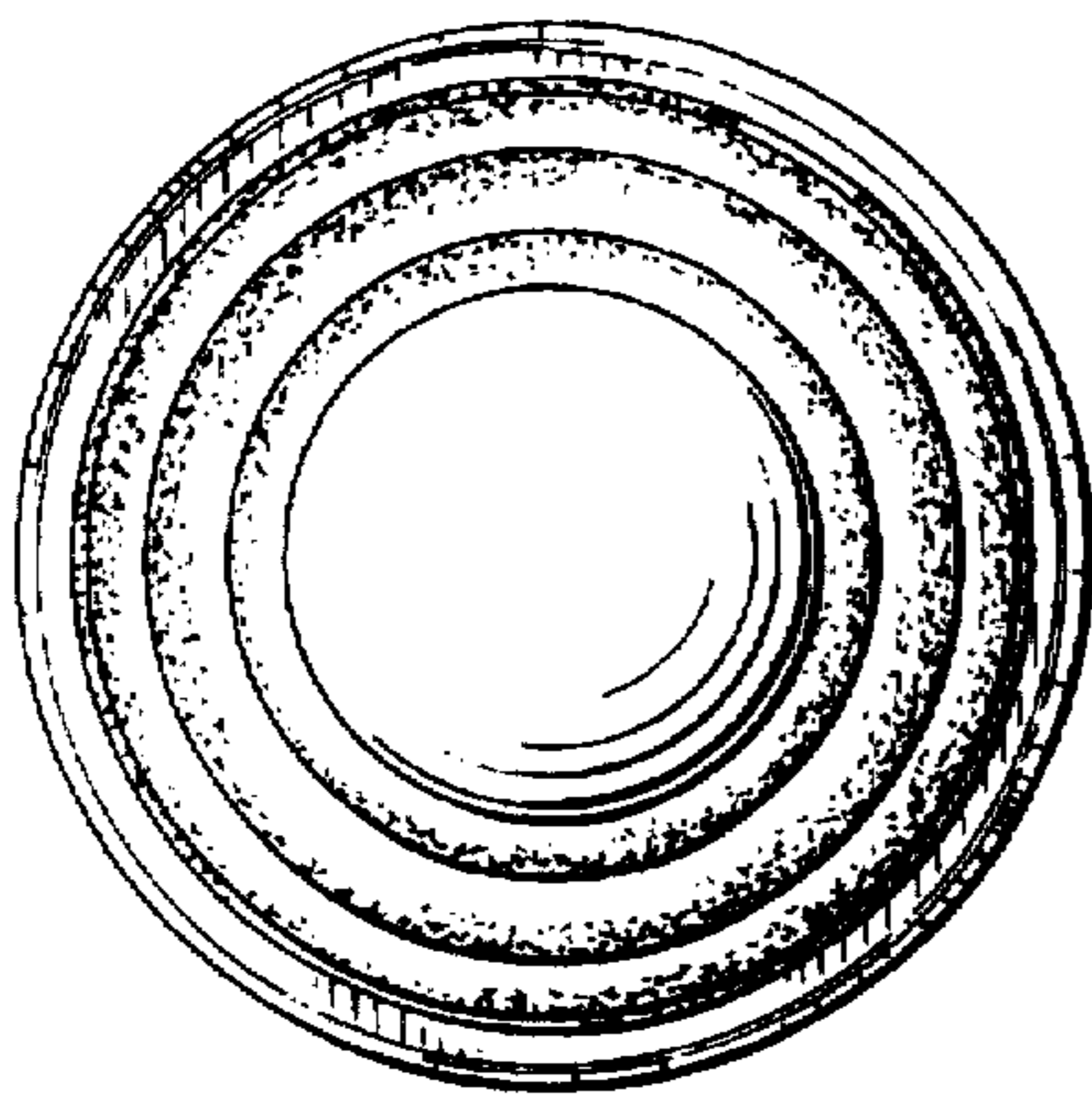


Fig. 3.

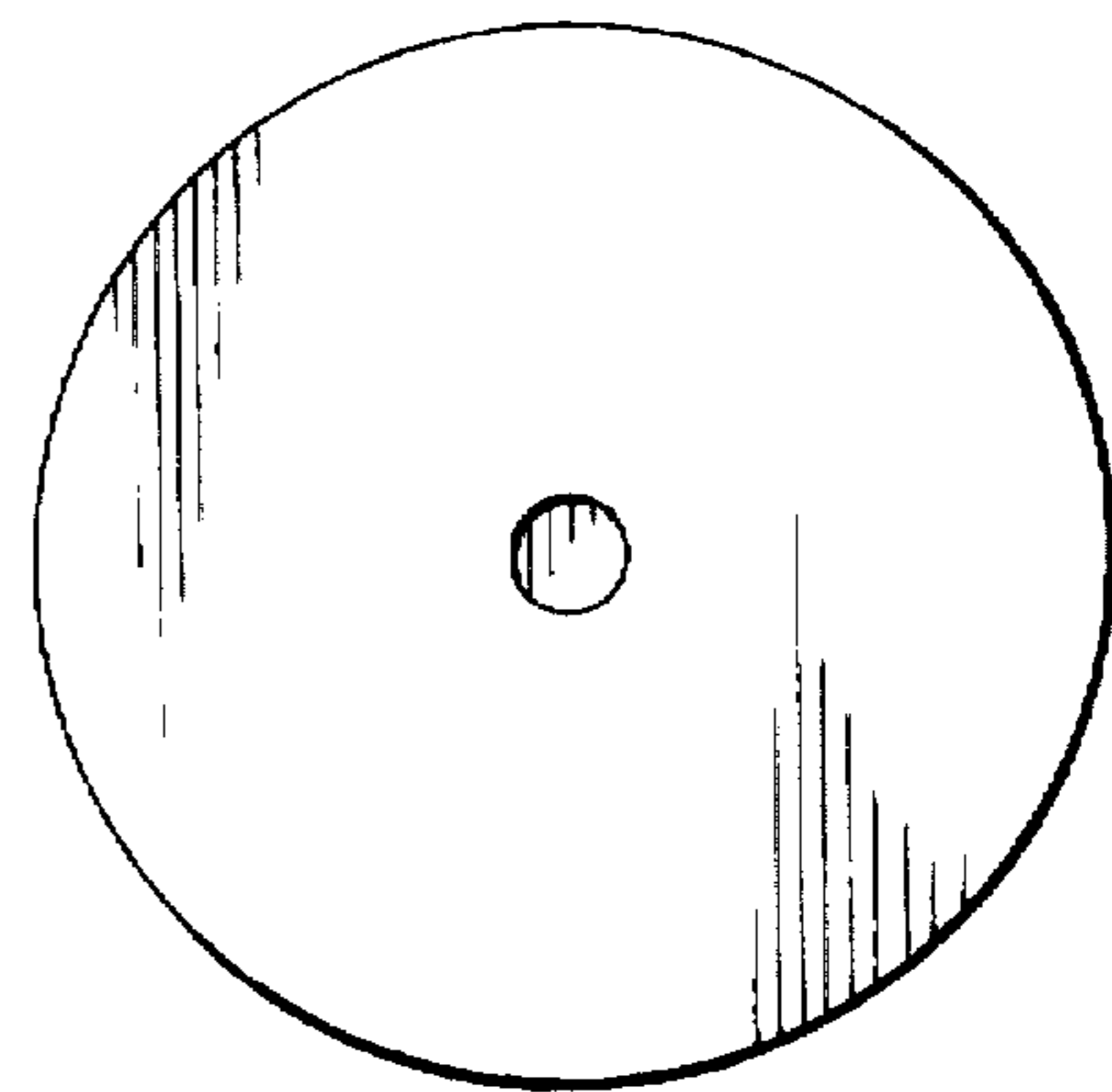


Fig. 4.