



US00D388609S

**United States Patent** [19]  
**Chan**

[11] **Patent Number:** **Des. 388,609**  
[45] **Date of Patent:** **\*\*Jan. 6, 1998**

[54] **TOOL CONTAINER**  
[76] **Inventor:** **Man-Kei Chan**, B1K, 16/F., Epoch Industrial Building, 8 Cheung Ho Street, Tsing Yi, Hong Kong, Hong Kong

[\*\*] **Term:** **14 Years**

[21] **Appl. No.:** **53,799**

[22] **Filed:** **Apr. 30, 1996**

[51] **LOC (6) Cl.** ..... **03-01**

[52] **U.S. Cl.** ..... **D3/273; D3/905**

[58] **Field of Search** ..... **D3/269, 273, 274, D3/283, 284, 905, 313; D8/71; 206/379, 372, 373, 349**

[56] **References Cited**

**U.S. PATENT DOCUMENTS**

D. 288,985	3/1987	Ali et al.	.....	D3/905
D. 323,245	1/1992	Hobson	.....	D3/313
D. 323,936	2/1992	Feng	.....	D3/282
2,775,342	12/1956	Smith	.....	206/379

2,962,154	11/1960	Falk	.....	206/379
4,154,340	5/1979	Beebe	.....	206/305
4,772,418	9/1988	Leoncavallo	.....	206/508
5,123,532	6/1992	Rav et al.	.....	206/373
5,133,455	7/1992	Chow	.....	206/373

*Primary Examiner*—Philip S. Hyder  
*Attorney, Agent, or Firm*—Varndell Legal Group

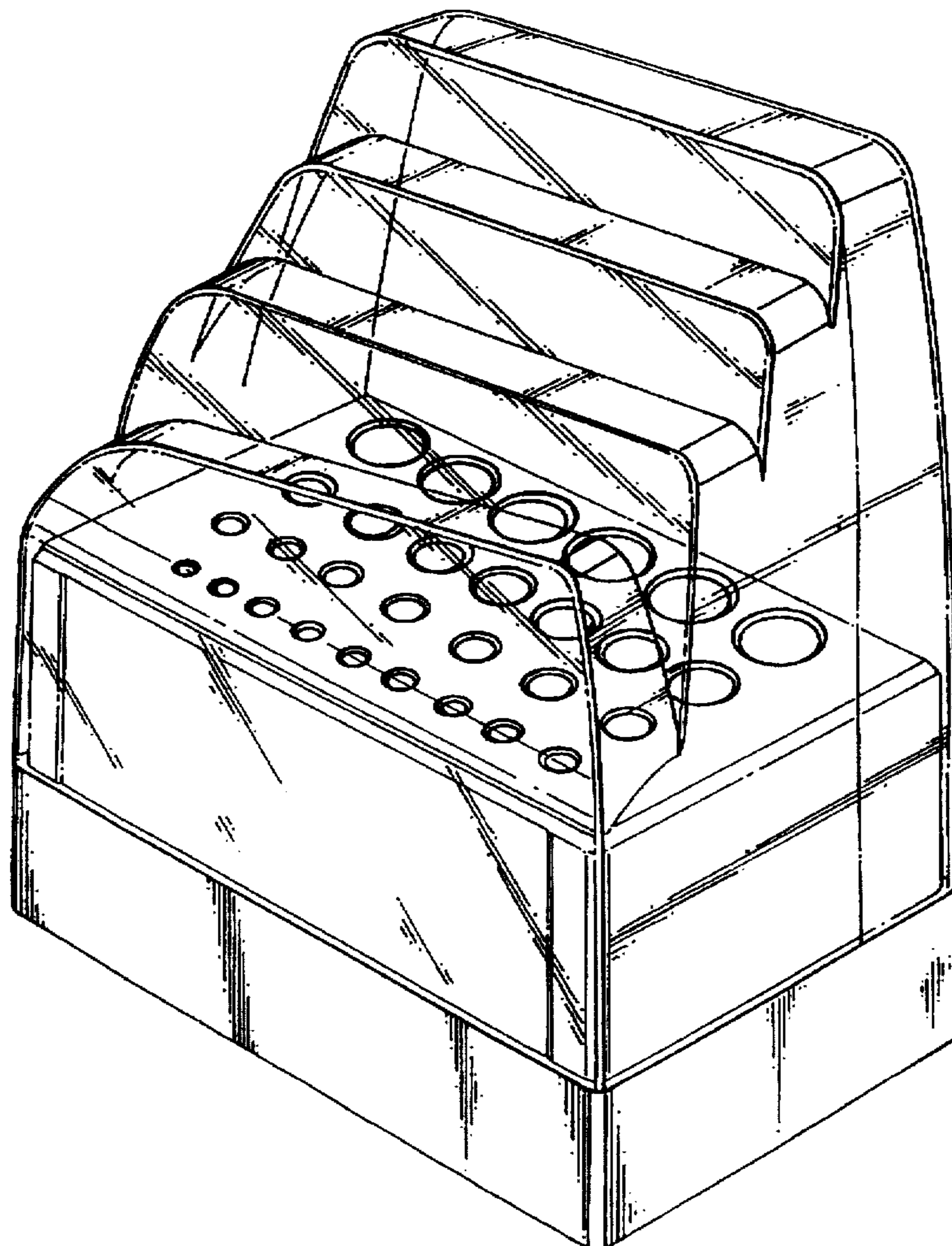
[57] **CLAIM**

The ornamental design for a tool container, as shown and described.

**DESCRIPTION**

FIG. 1 is a perspective view of a tool container showing my new design;  
FIG. 2 is a front elevational view thereof;  
FIG. 3 is a right side elevational view thereof;  
FIG. 4 is a left side elevational view thereof;  
FIG. 5 is a rear elevational view thereof;  
FIG. 6 is a top plan view thereof; and,  
FIG. 7 is a bottom plan view thereof.

**1 Claim, 4 Drawing Sheets**



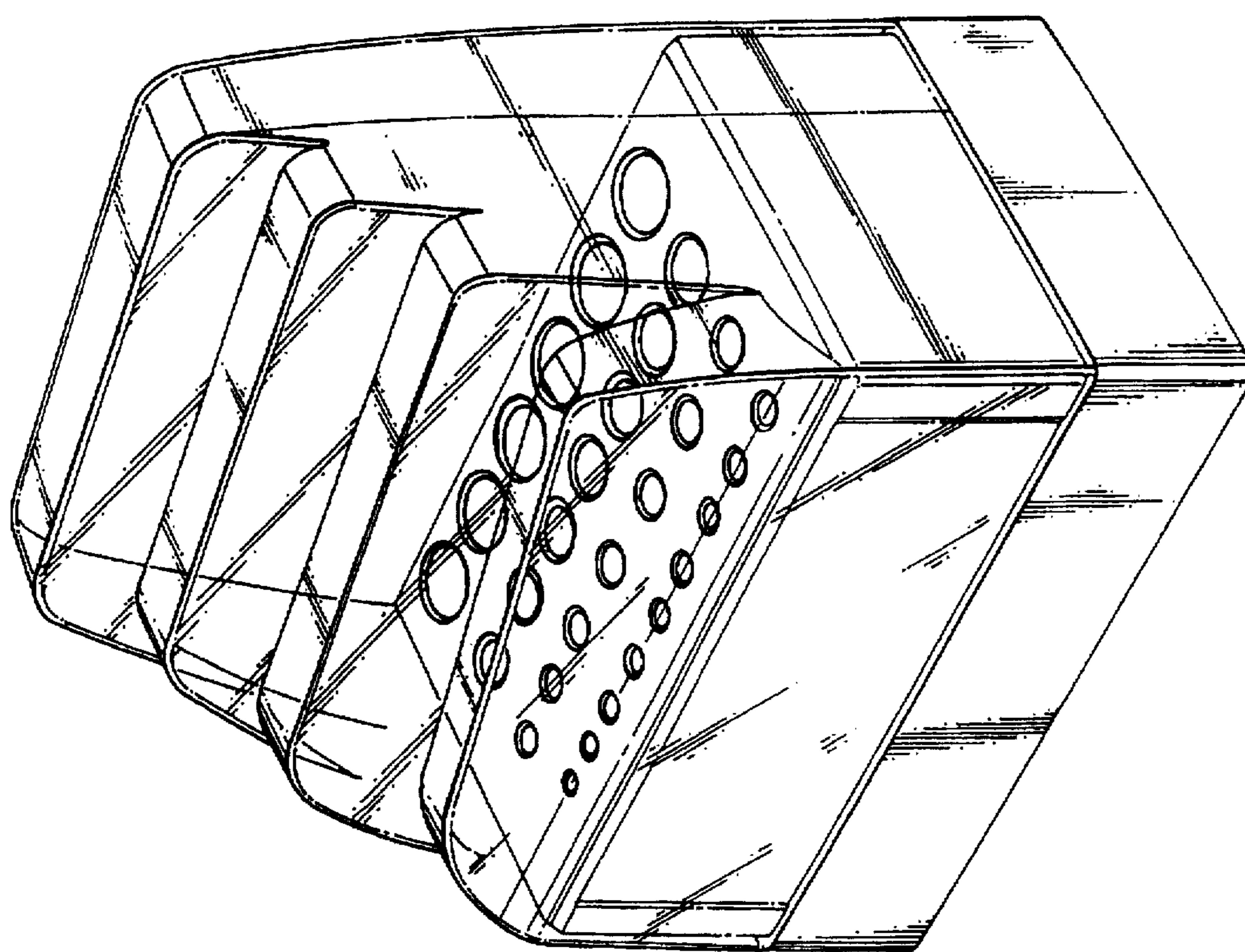


Fig. 1

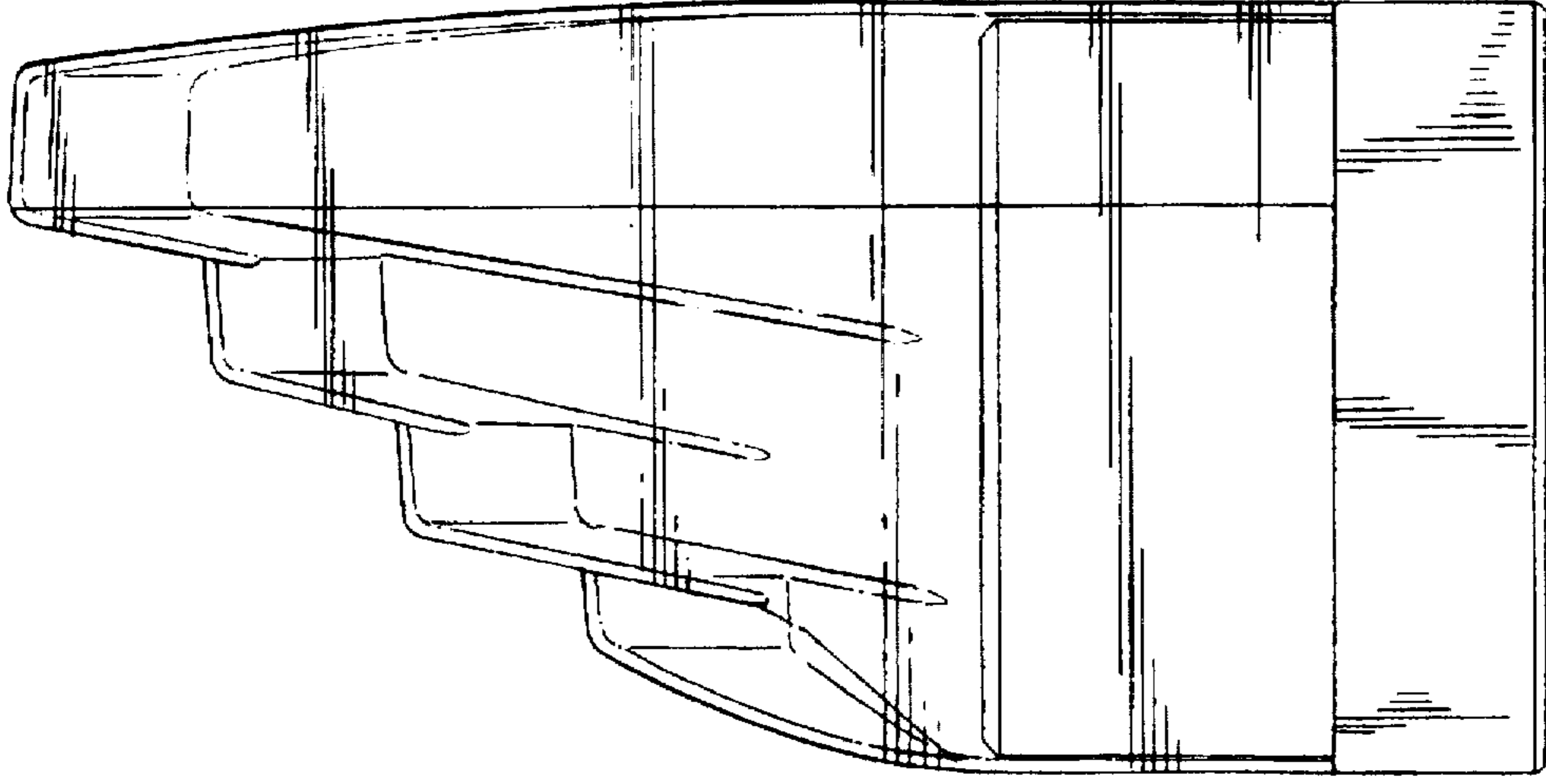


Fig. 3

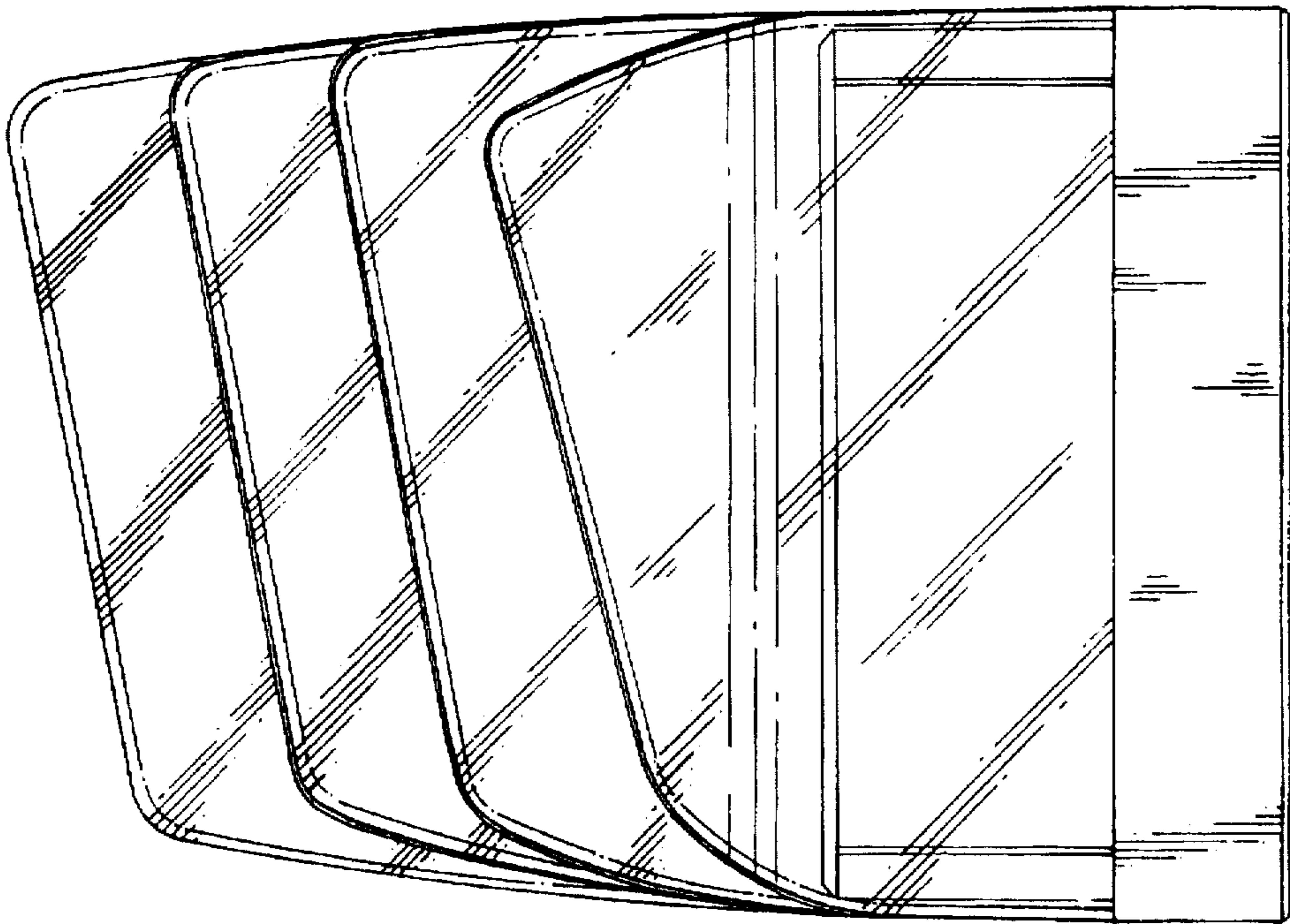


Fig. 2

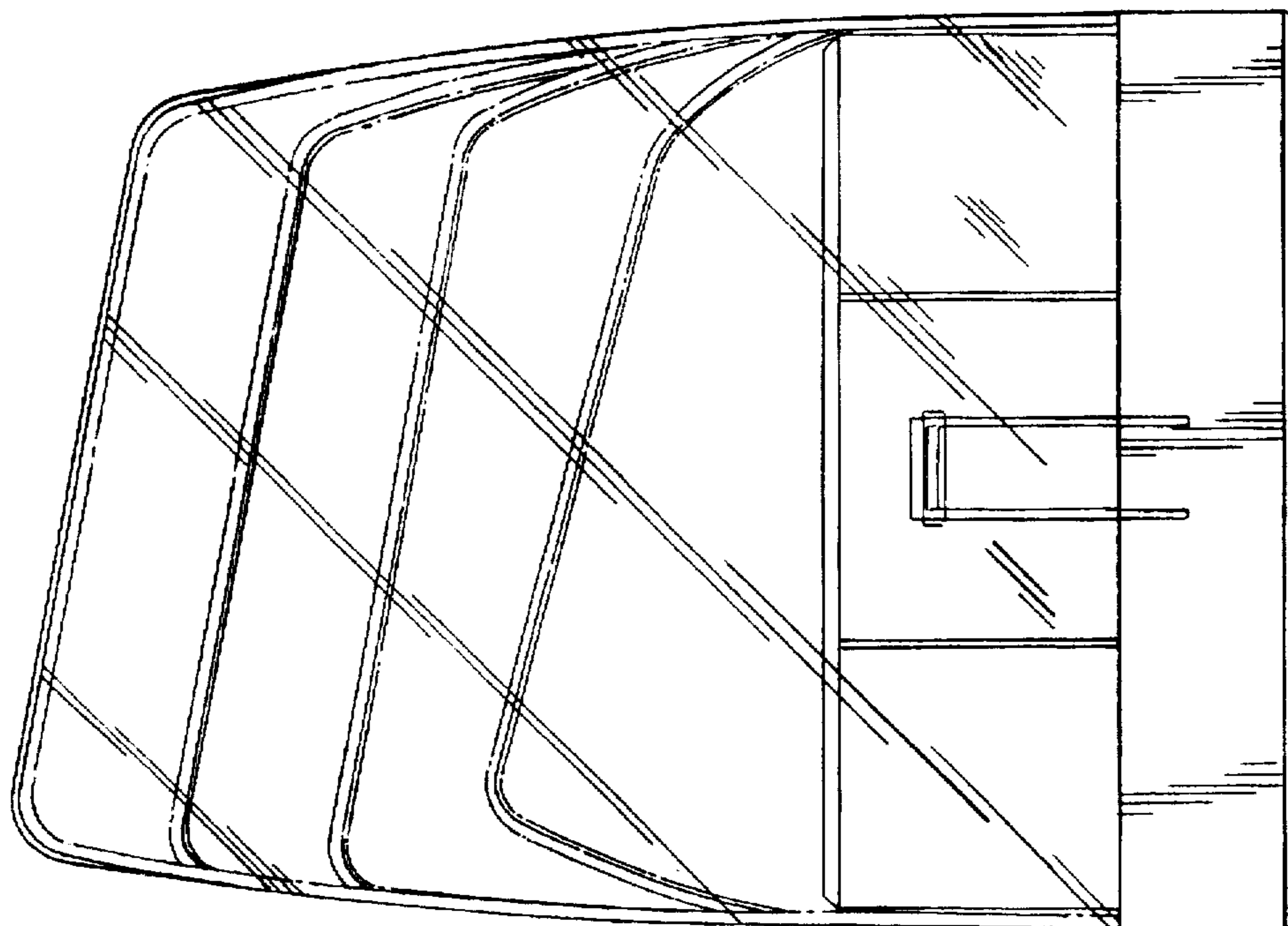


Fig. 5

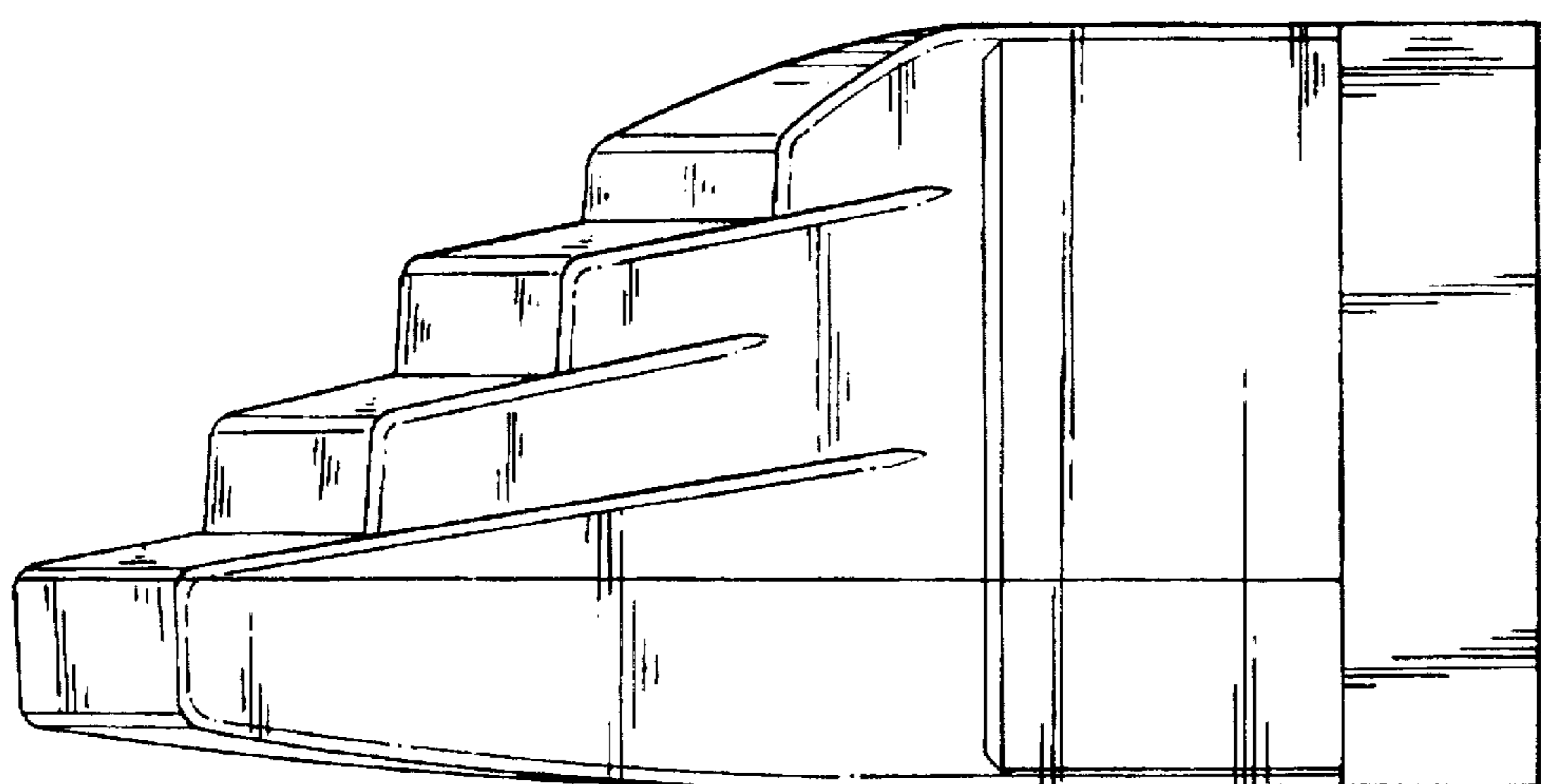


Fig. 4

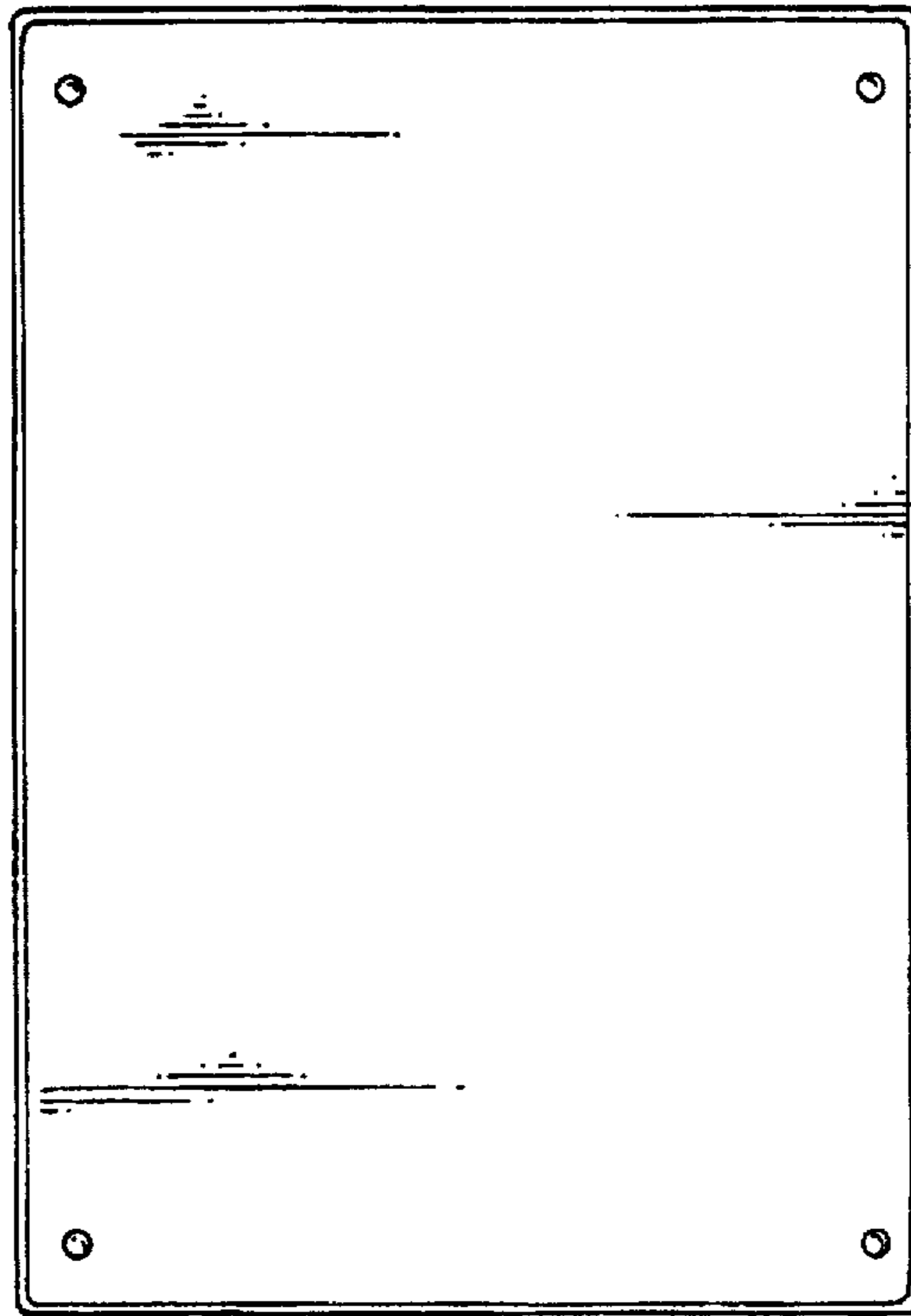


Fig . 7

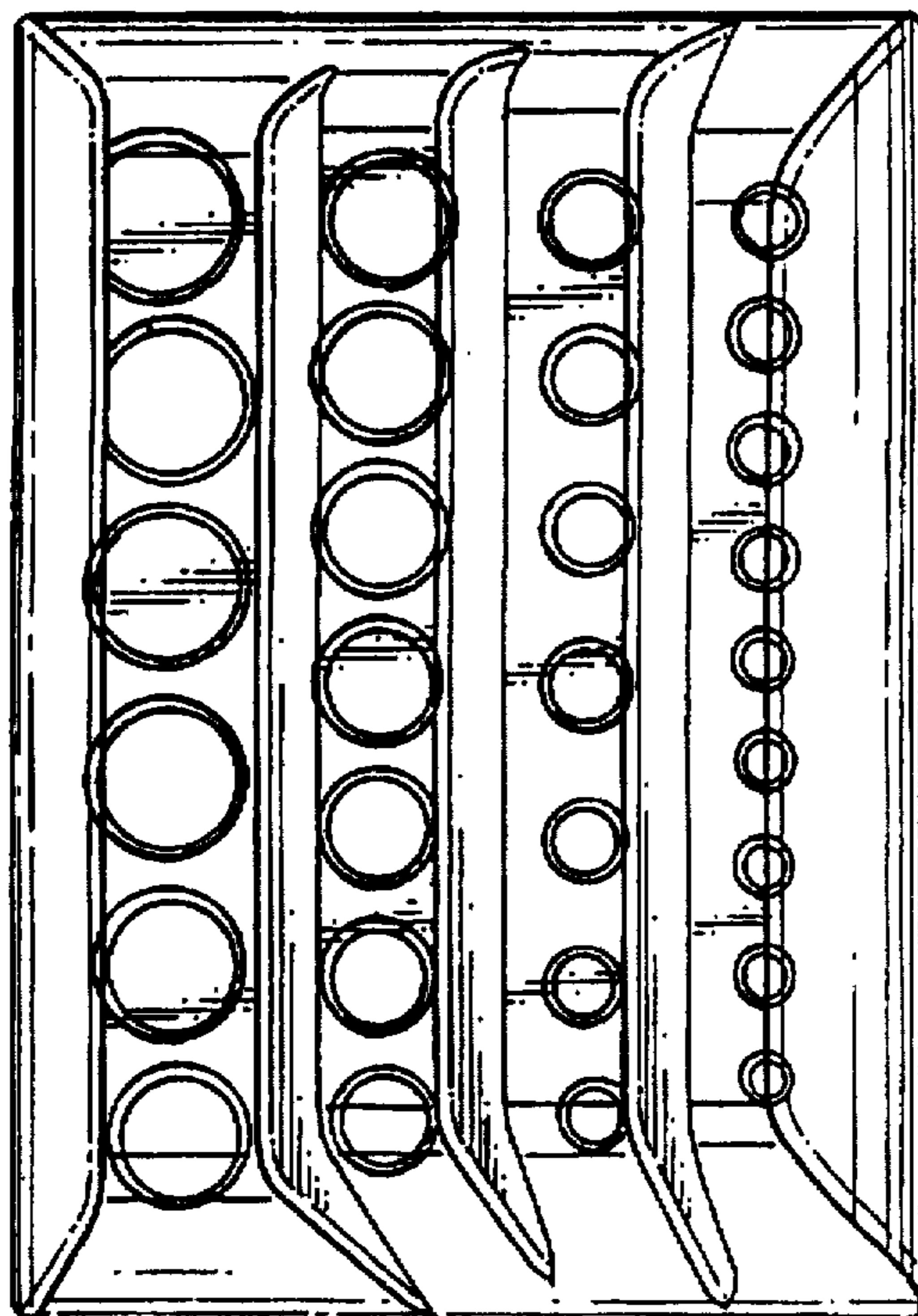


Fig . 6