



US00D388605S

United States Patent [19]

Callahan et al.

[11] Patent Number: **Des. 388,605**

[45] Date of Patent: ****Jan. 6, 1998**

[54] **CARD CASE**

[75] Inventors: **Steven E. Callahan**, Sutton, Mass.; **W. Tyler Fitzsimmons**, Portland, Me.

[73] Assignee: **Microplas, Inc.**, Clinton, Mass.

[**] Term: **14 Years**

[21] Appl. No.: **50,492**

[22] Filed: **Feb. 21, 1996**

[51] LOC (6) Cl. **03-01**

[52] U.S. Cl. **D3/247; D3/201**

[58] Field of Search **D3/200, 201, 243, D3/247, 239, 253; 150/100, 147, 132, 136, 145; 190/103, 109; 206/39, 216; 220/334, 343, 457**

[56] References Cited

U.S. PATENT DOCUMENTS

D. 369,239	4/1996	Deutch	D3/247
1,861,835	6/1932	Bodoglou	206/216 X
4,556,153	12/1985	Takagi et al.	220/334
4,628,389	12/1986	Tanaka et al.	220/334 X

FOREIGN PATENT DOCUMENTS

3407043	9/1985	Germany	206/216
3604020	8/1987	Germany	150/147

Primary Examiner—Louis S. Zarfaz
Assistant Examiner—Monica A. Weingart

Attorney, Agent, or Firm—James Creighton Wray

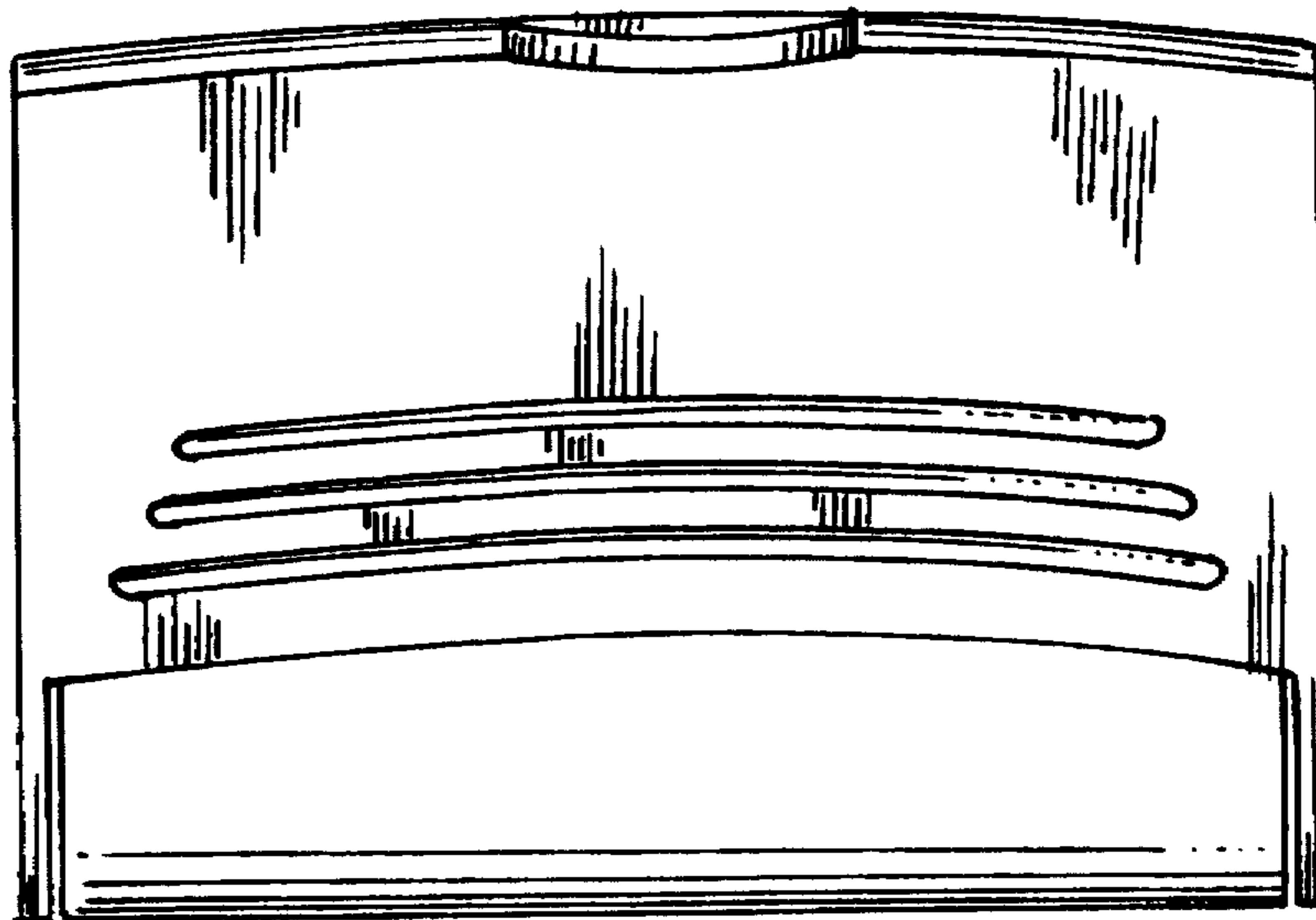
[57] CLAIM

The design for the card case, as shown and described.

DESCRIPTION

FIG. 1 is a top plan view of the card case in a closed position; FIG. 2 is a rear elevation of the card case in a closed position; FIG. 3 is a front elevation of the card case in a closed position; FIG. 4 is a right side elevation of the card case in a closed position; FIG. 5 is a left side elevation of the card case in a closed position; FIG. 6 is a top plan view of the card case in an open position; FIG. 7 is a front view of the card case in an open position; FIG. 8 is a right side elevation of the card case in an open position; FIG. 9 is a left side elevation of the card case in an open position; FIG. 10 is a top plan view of the card case in an open position; FIG. 11 is a front view of the card case in an open position and carrying cards shown in broken lines; FIG. 12 is a right side elevation of the card case in an open position and carrying cards shown in broken lines; FIG. 13 is a left side elevation of the card case in an open position and carrying cards shown in broken lines; and, FIG. 14 is a bottom view of the card case.

1 Claim, 3 Drawing Sheets



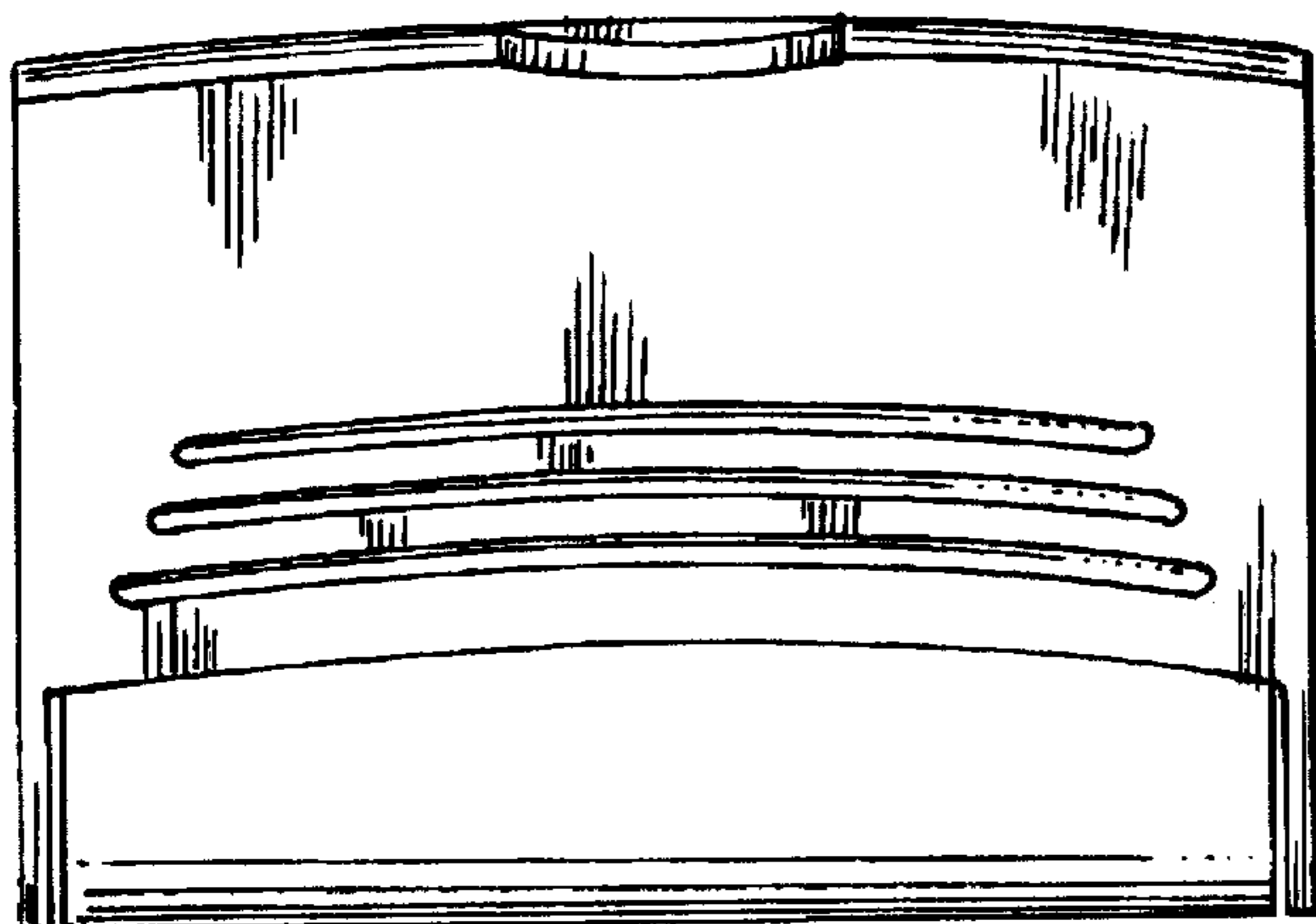


FIG. 1

FIG. 4



FIG. 2

FIG. 5

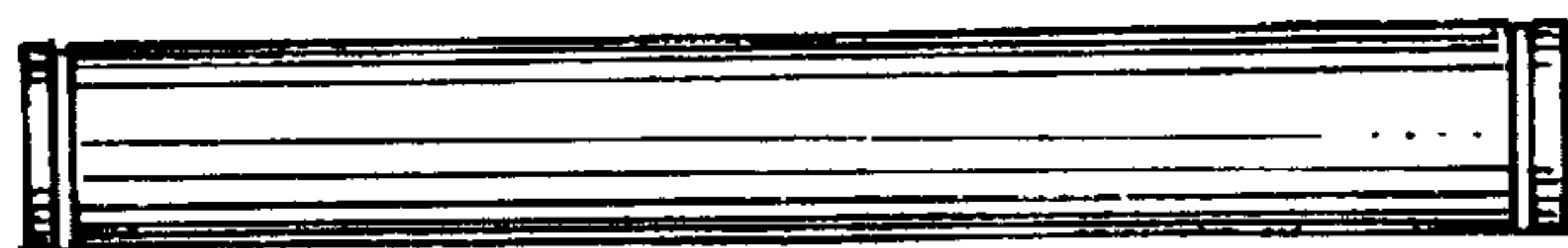
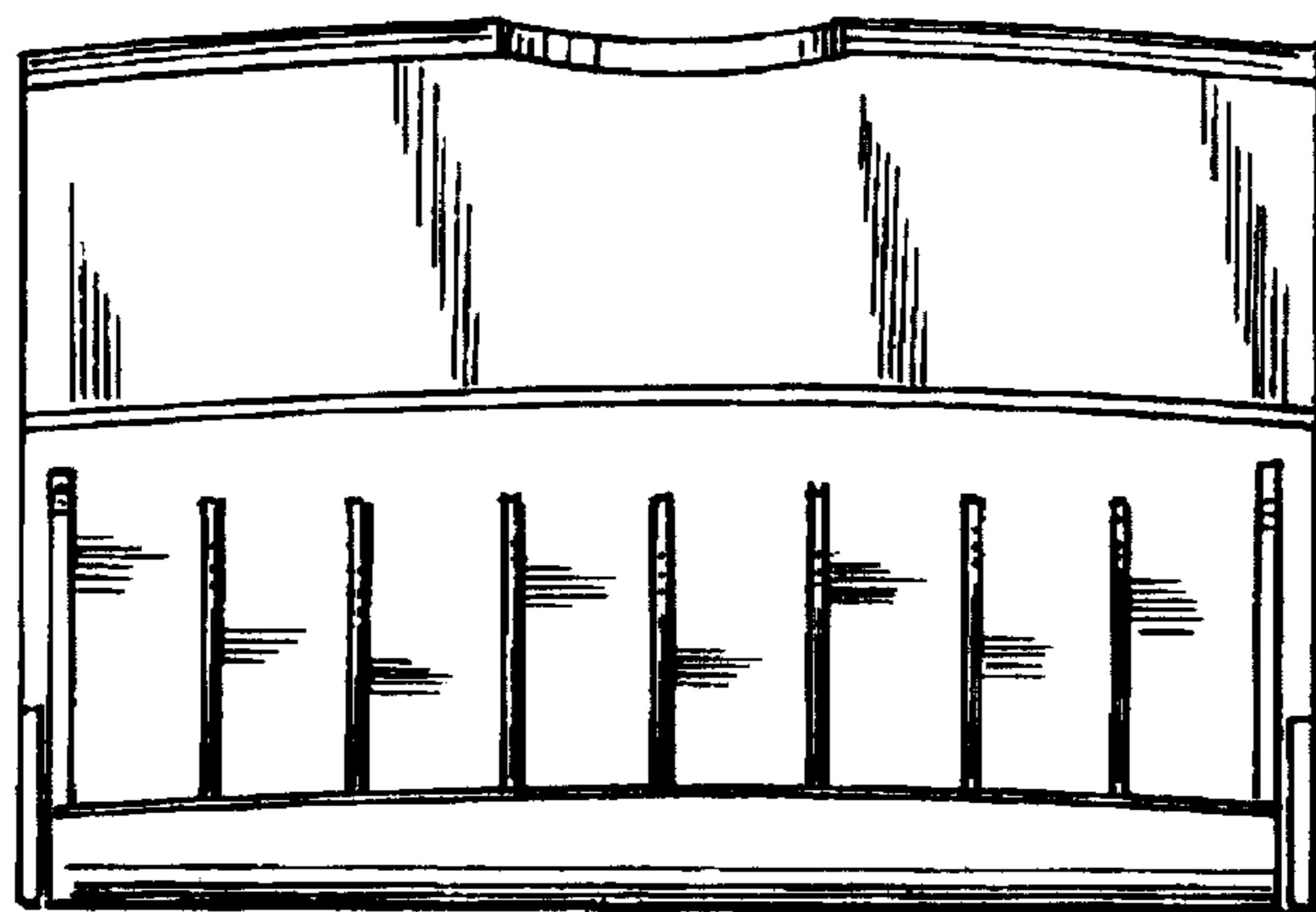


FIG. 3

FIG. 6



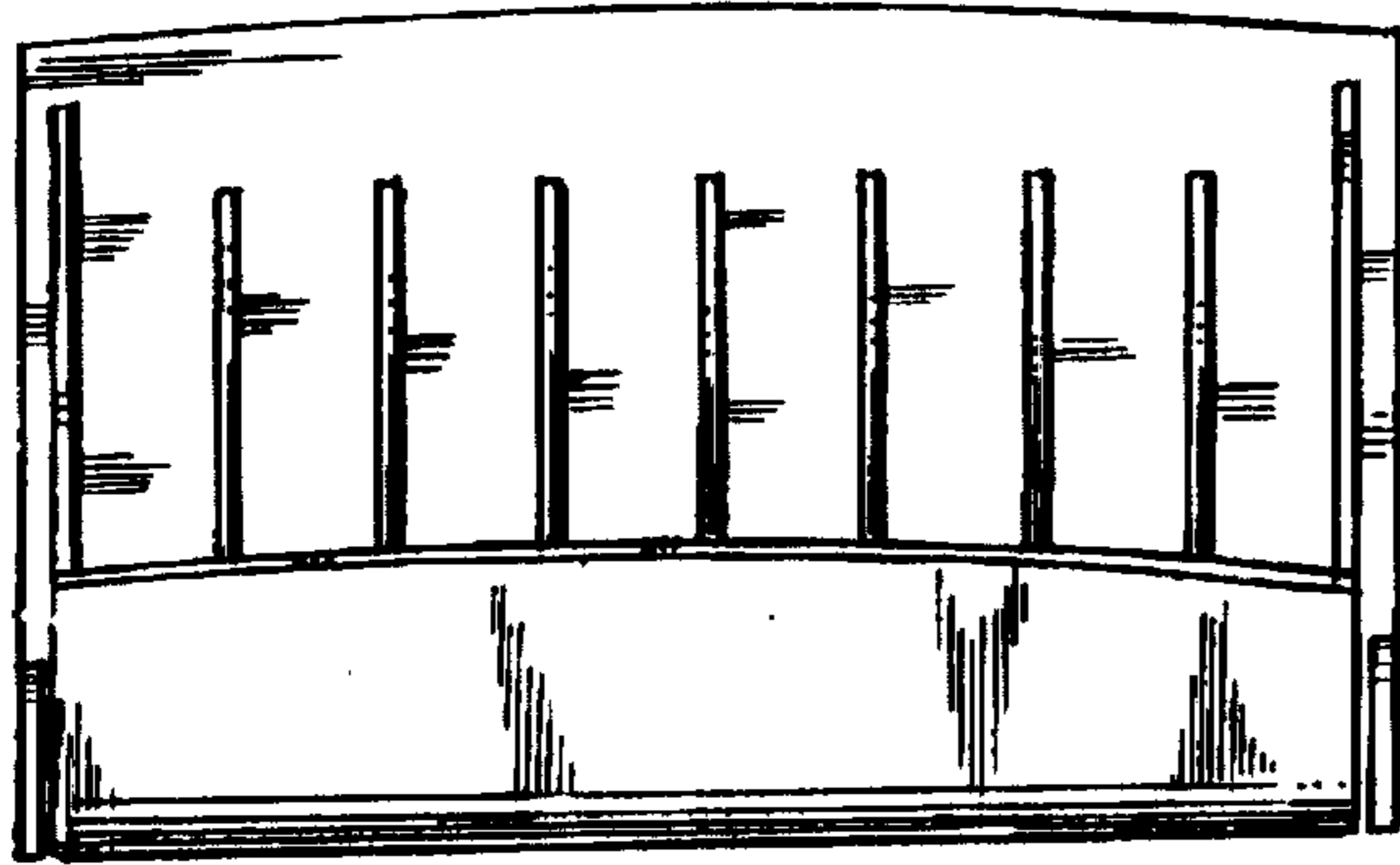


FIG. 7

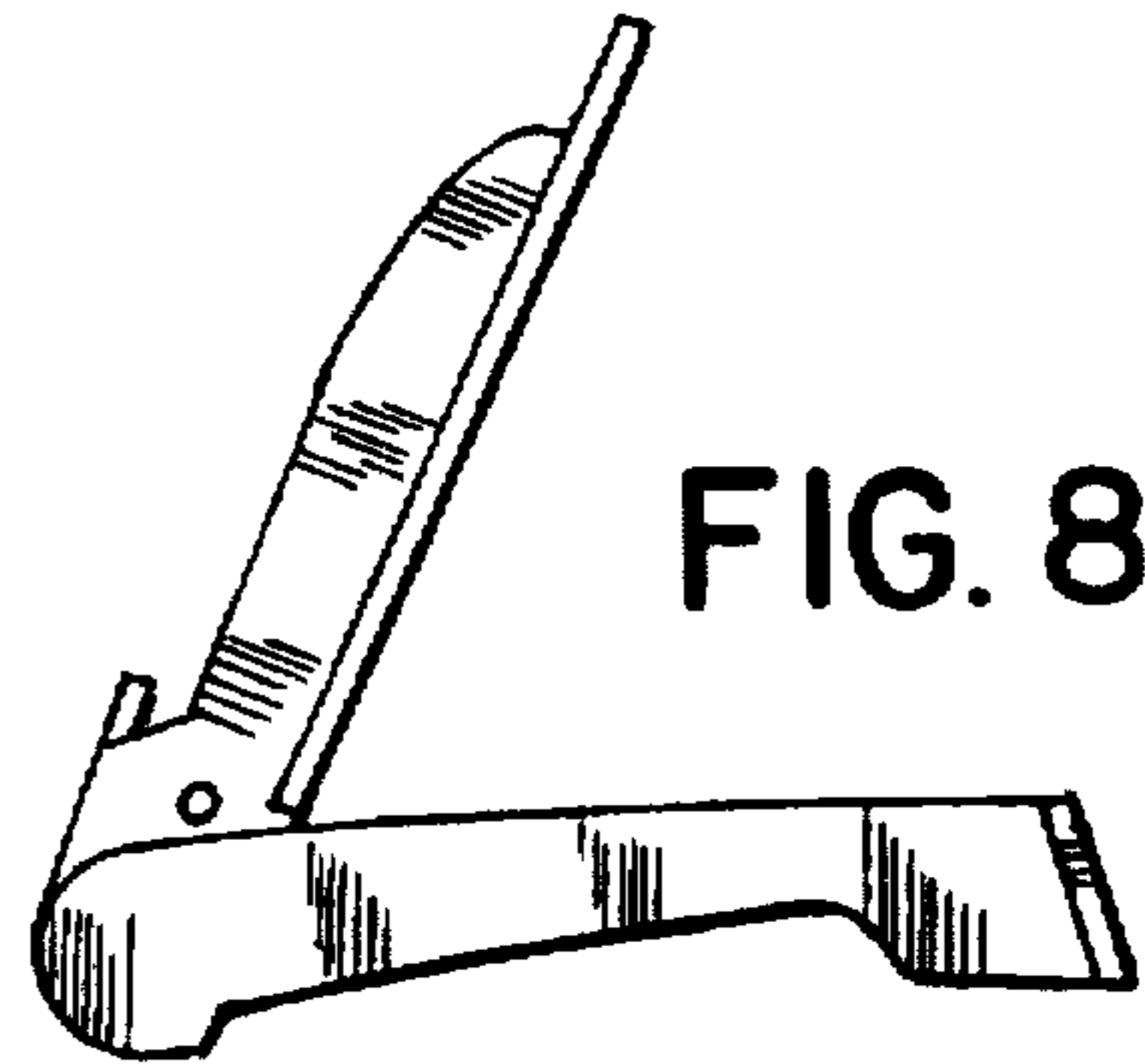


FIG. 8

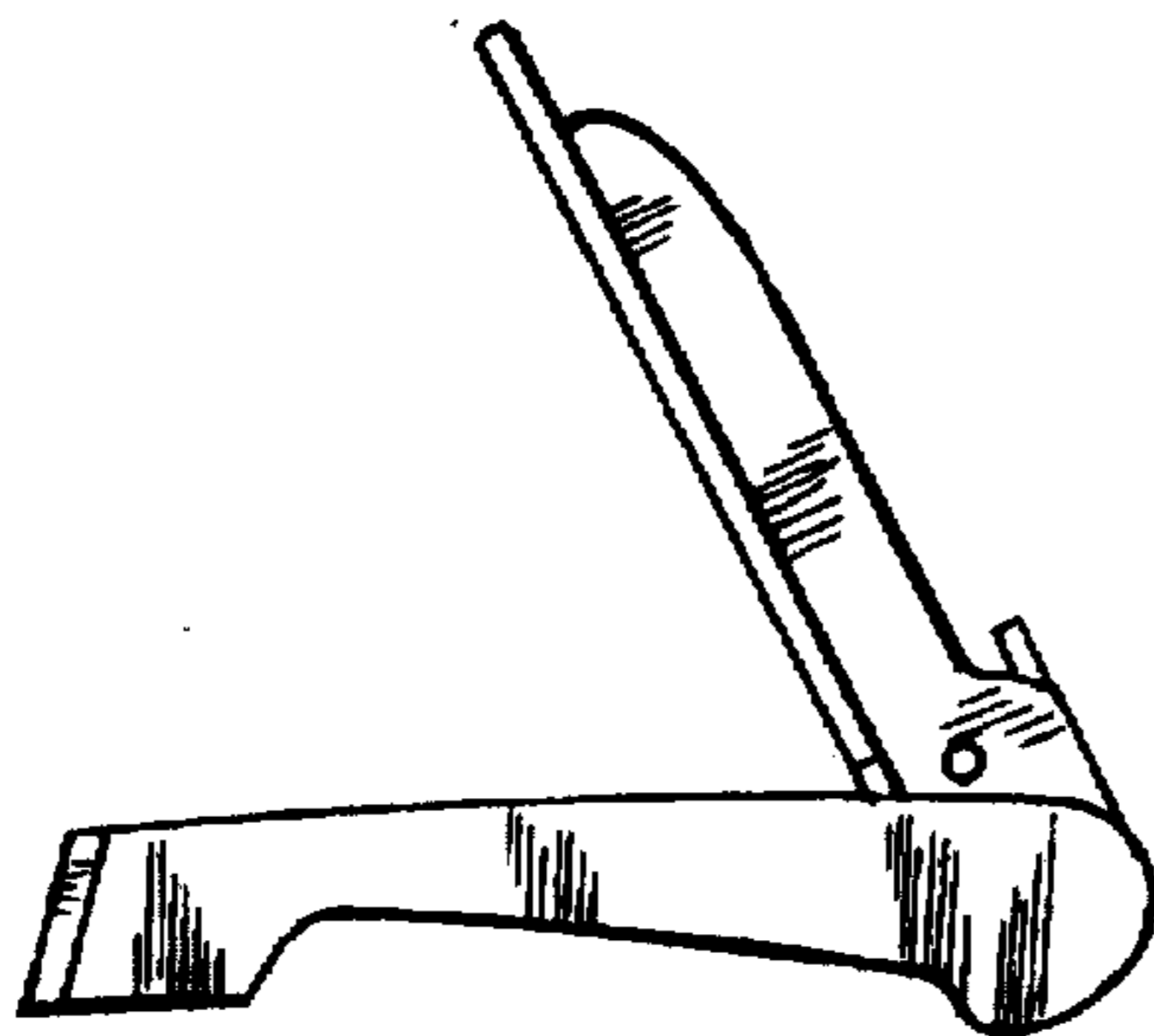


FIG. 9

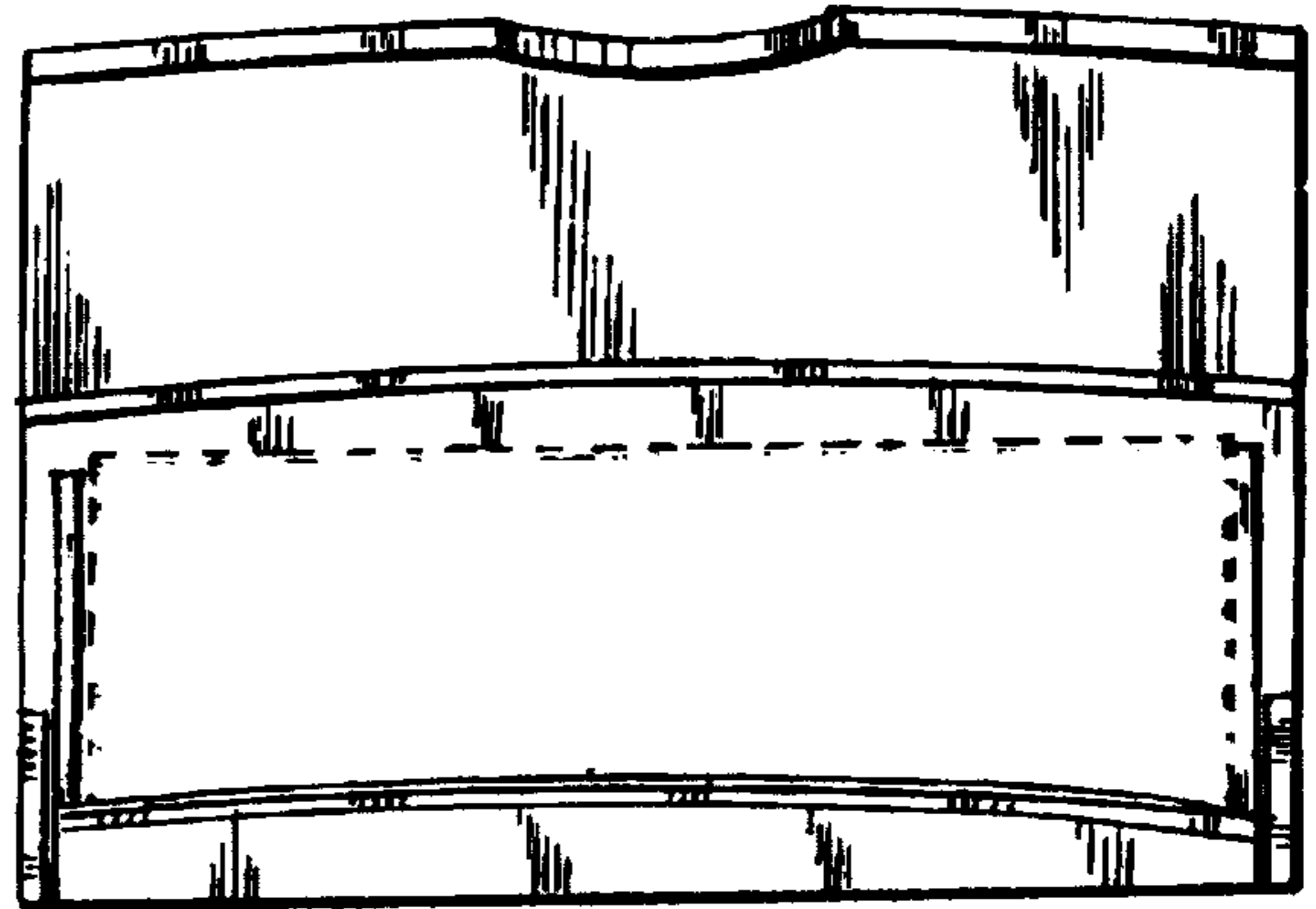


FIG. 10

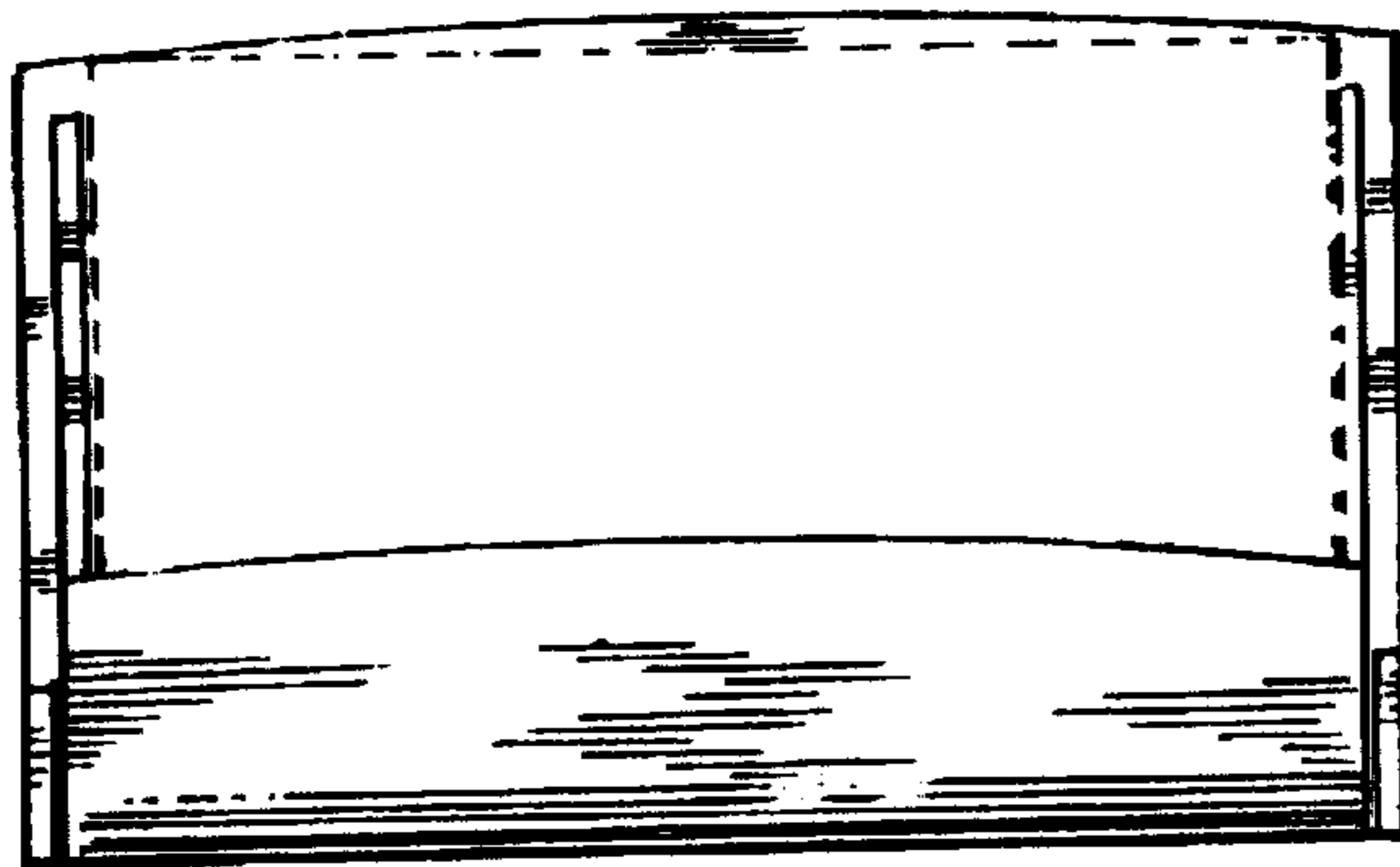


FIG. 11

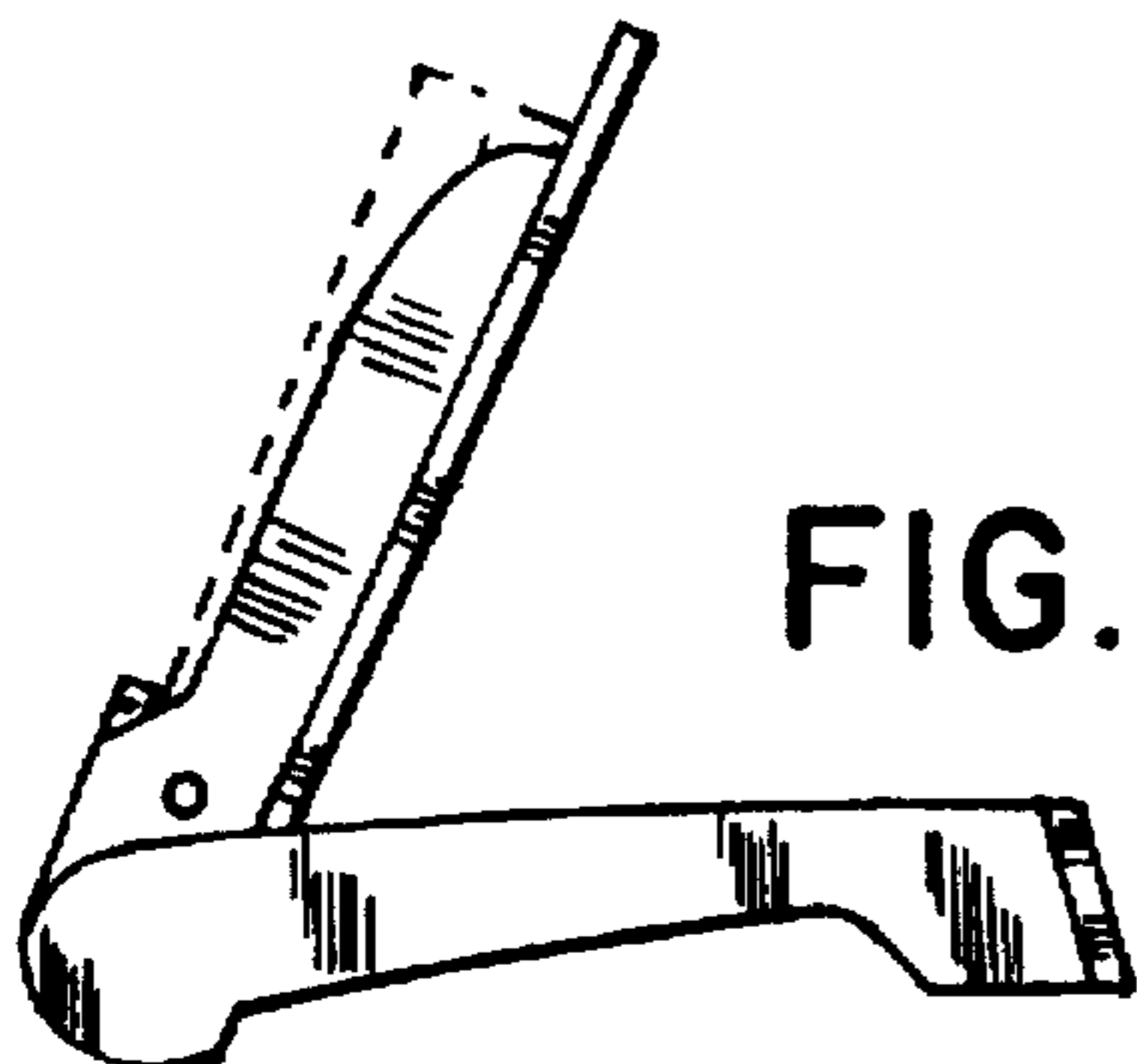


FIG. 12

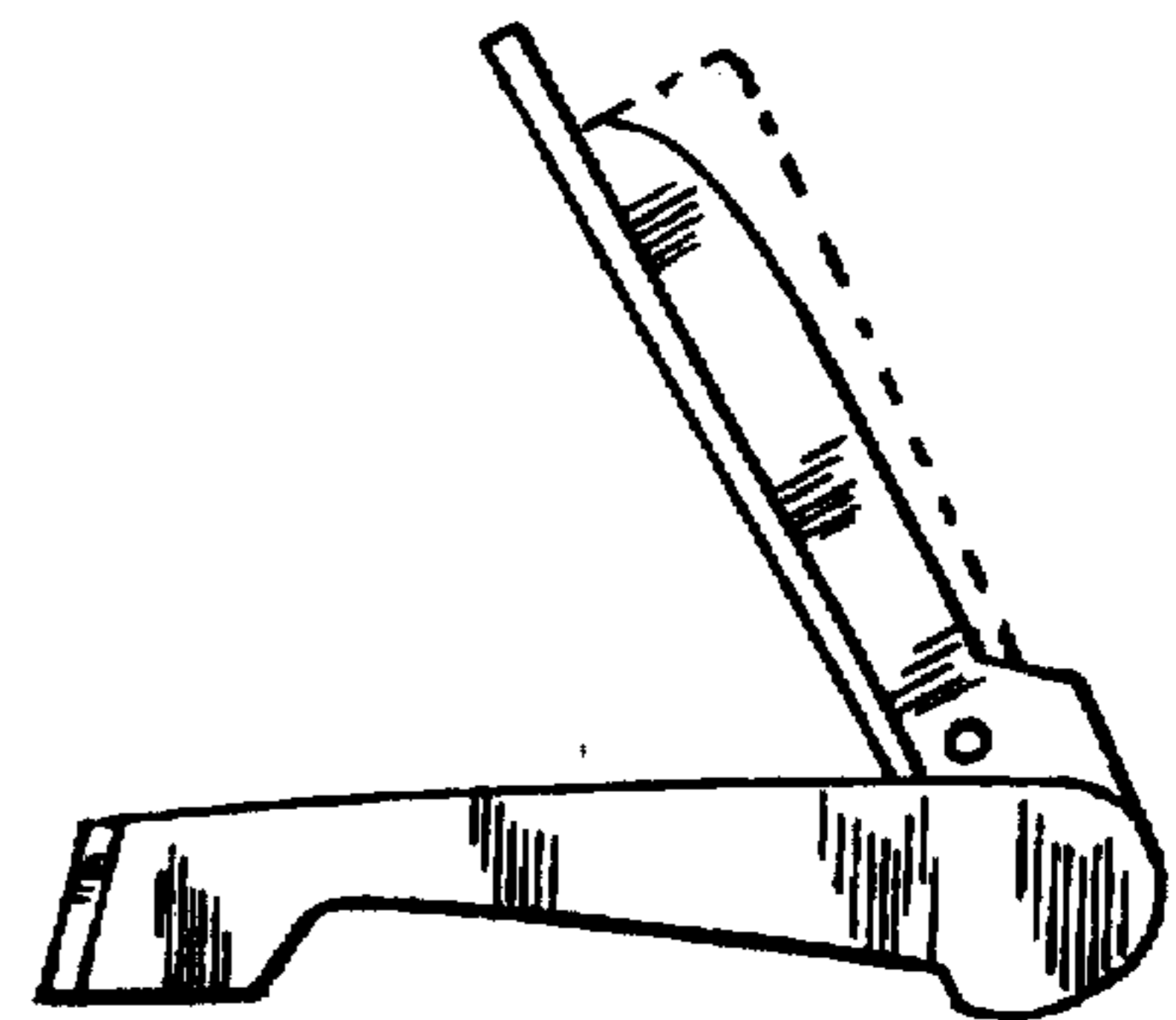


FIG. 13

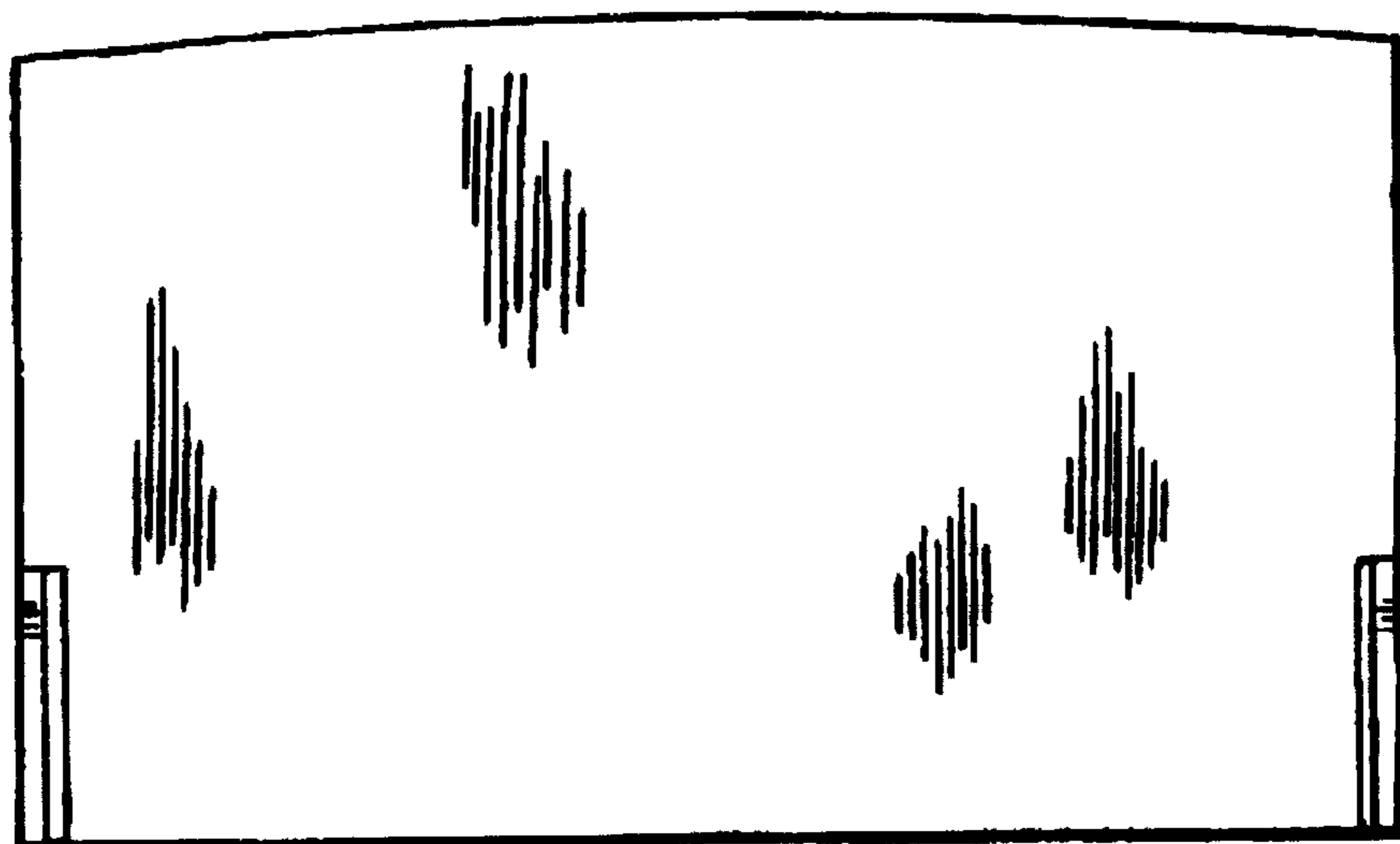


FIG. 14