



US00D388603S

United States Patent [19]
Fortune

[11] **Patent Number:** **Des. 388,603**
[45] **Date of Patent:** ****Jan. 6, 1998**

[54] **POCKET NAMETAG HOLDER**
[76] **Inventor:** **William S. Fortune**, 29866 Cuthbert Rd., Malibu, Calif. 90265
[**] **Term:** **14 Years**
[21] **Appl. No.:** **54,205**
[22] **Filed:** **May 8, 1996**
[51] **LOC (6) Cl.** **03-01**
[52] **U.S. Cl.** **D3/215**
[58] **Field of Search** D3/215, 247, 248; D20/15, 22, 43; 150/147; 224/230; 40/1.5, 642, 649, 640, 658, 666, 1.6

5,069,333 12/1991 Chen 150/147 X
5,406,726 4/1995 Fan 40/1.5 X

Primary Examiner—Doris V. Coles
Assistant Examiner—Catherine R. Oliver
Attorney, Agent, or Firm—Daniel T. Anderson

[57] **CLAIM**

The ornamental design for pocket nametag holder, as shown.

DESCRIPTION

FIG. 1 is a perspective view of a pocket nametag holder showing my new design;
FIG. 2 is a front view thereof;
FIG. 3 is a top view thereof;
FIG. 4 is a left side elevational view thereof;
FIG. 5 is a right side elevational view thereof;
FIG. 6 is a bottom view thereof; and,
FIG. 7 is a rear view.

[56] **References Cited**

U.S. PATENT DOCUMENTS

D. 356,832 3/1995 Maxwell-Trumble et al. D20/22
1,765,431 6/1930 Kupfer 40/1.6
3,371,829 3/1968 Phillips 224/230

1 Claim, 2 Drawing Sheets

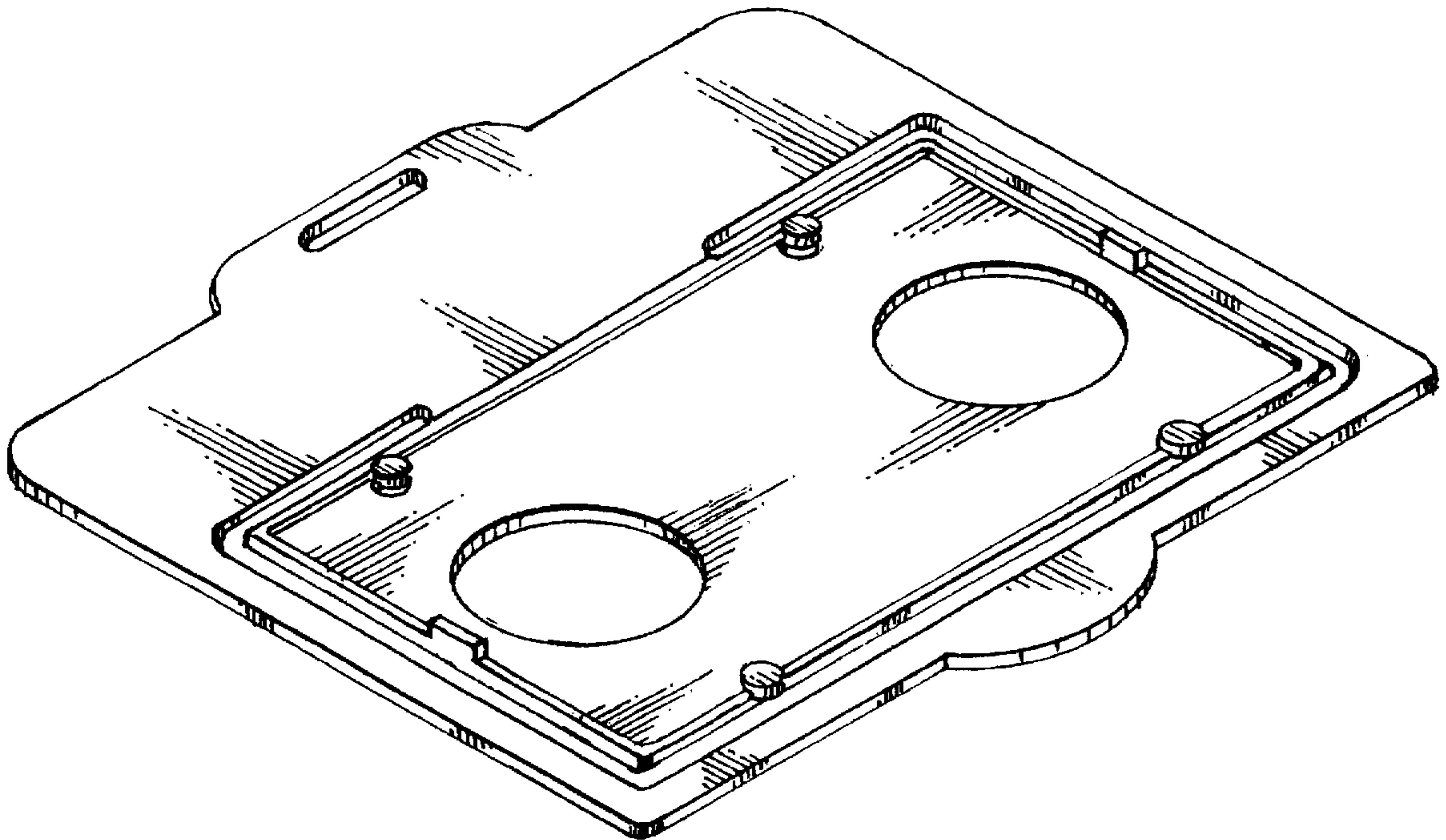


Fig. 1

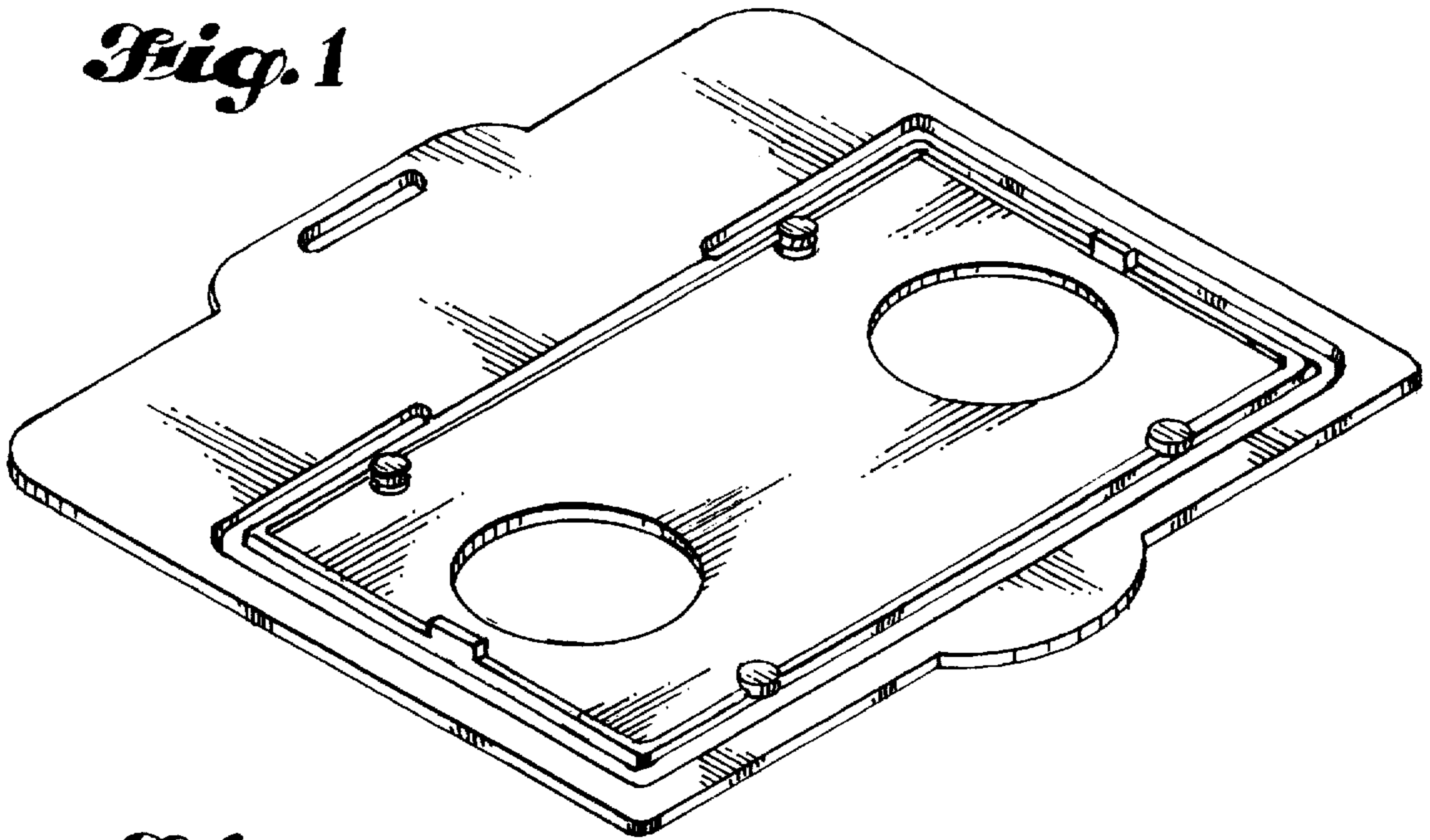


Fig. 3

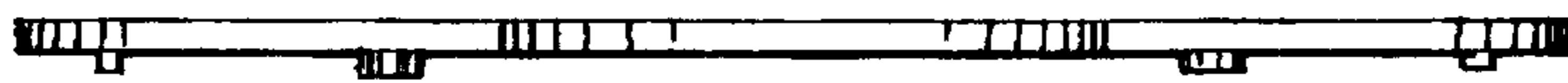


Fig. 2

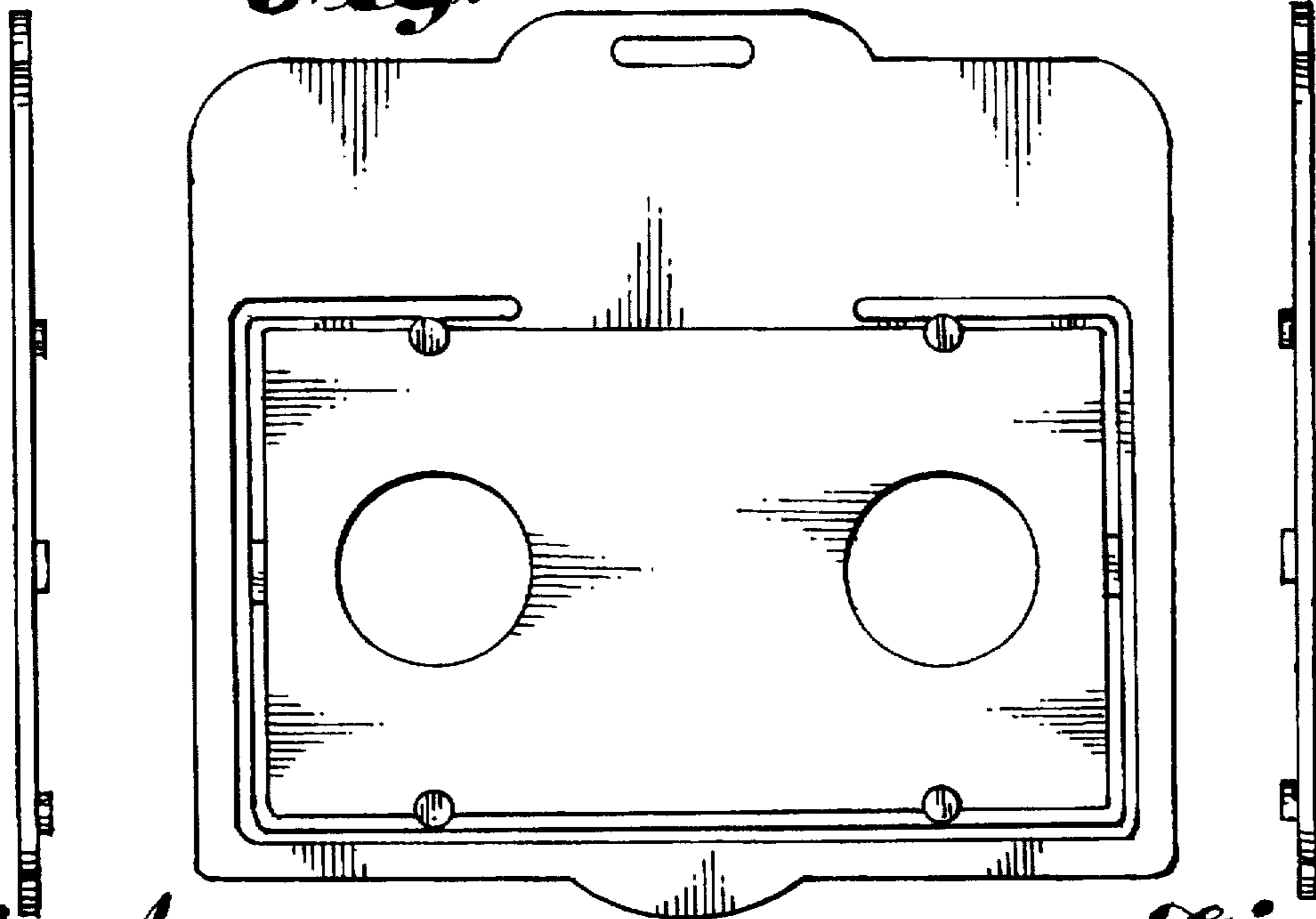


Fig. 4

Fig. 5

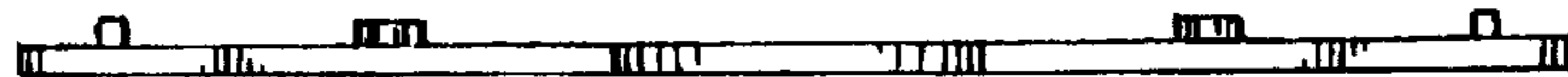


Fig. 6

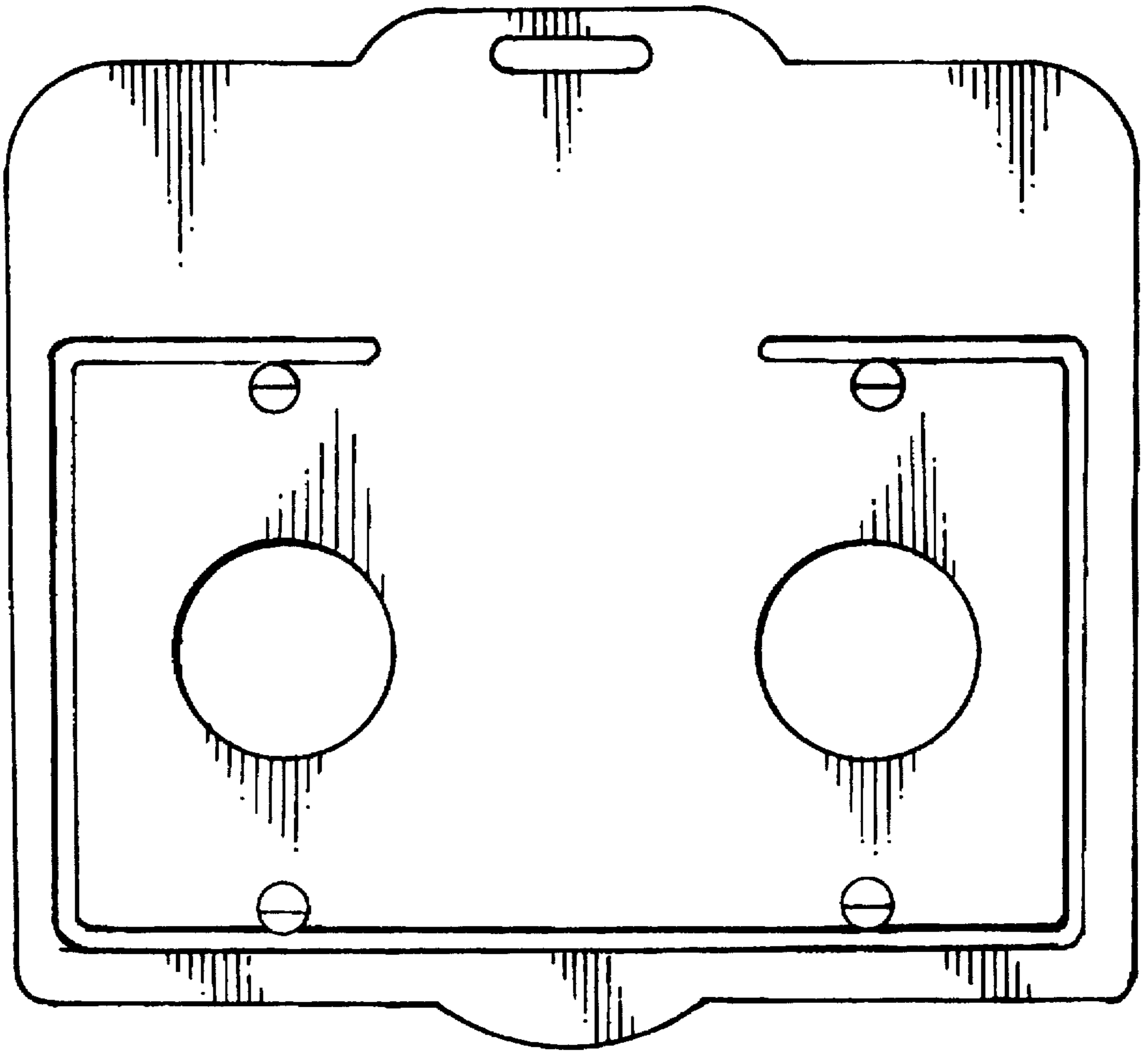


Fig. 7