



US00D388601S

United States Patent [19] Edwards

[11] Patent Number: **Des. 388,601**
[45] Date of Patent: ****Jan. 6, 1998**

[54] **MUSICAL INSTRUMENT CASE**
[76] Inventor: **Jon S. Edwards, 1237 Hollywood Way,
Apt. C, Burbank, Calif. 91505**
[**] Term: **14 Years**

1,664,476 4/1928 Geib 206/314
1,888,927 11/1932 Lang 206/314
4,223,785 9/1980 Jacques 206/314
4,474,290 10/1984 DeMato 206/314
5,035,032 7/1991 Nutting 27/4
5,119,559 6/1992 Mohr et al. 27/4

[21] Appl. No.: **57,725**
[22] Filed: **Jul. 30, 1996**

Primary Examiner—Prabhakar Deshmukh
Attorney, Agent, or Firm—Christie, Parker & Hale, LLP

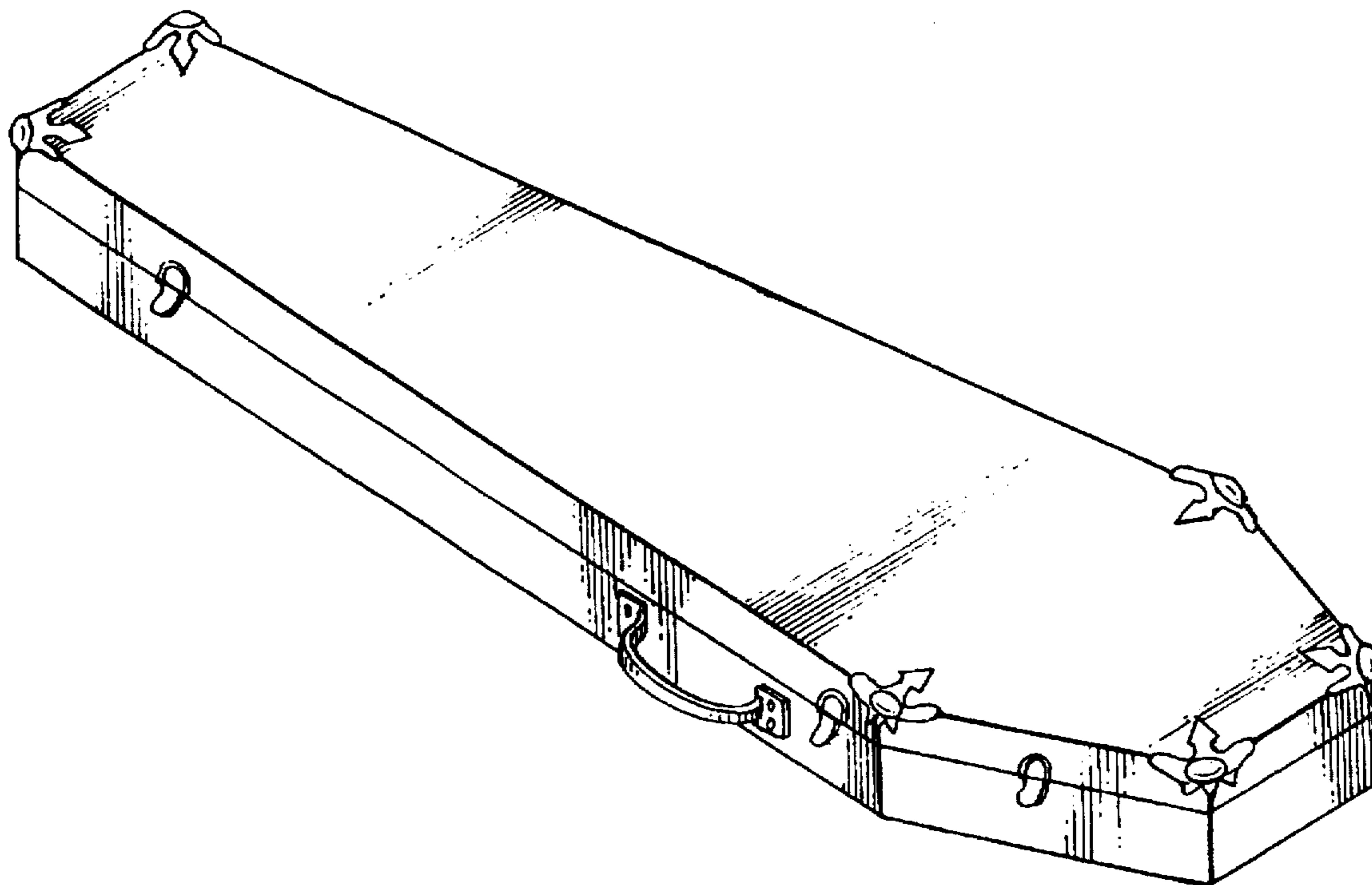
[51] **LOC (6) Cl.** **03-01**
[52] **U.S. Cl.** **D3/204**
[58] **Field of Search** D3/201, 204, 272,
D3/273, 274; 206/314, 14, 457, 458; D9/420-423,
430, 414; D99/1, 2, 3, 6, 7, 8; 27/1-7,
14, 35; D17/20, 99

[57] **CLAIM**
The ornamental design for musical instrument case, as shown and described.

[56] **References Cited**
U.S. PATENT DOCUMENTS
D. 269,480 6/1983 Peterson et al. D3/204
D. 356,676 3/1995 Sanderson D3/204
636,374 11/1899 Wittig 27/4
1,352,814 9/1920 Kirk 206/314

DESCRIPTION
FIG. 1 is a perspective view of a musical instrument case showing my new design;
FIG. 2 is a front elevational view thereof;
FIG. 3 is a bottom plan view thereof;
FIG. 4 is a rear elevational view thereof;
FIG. 5 is a left elevational view thereof; and,
FIG. 6 is a right elevational view thereof.

1 Claim, 2 Drawing Sheets



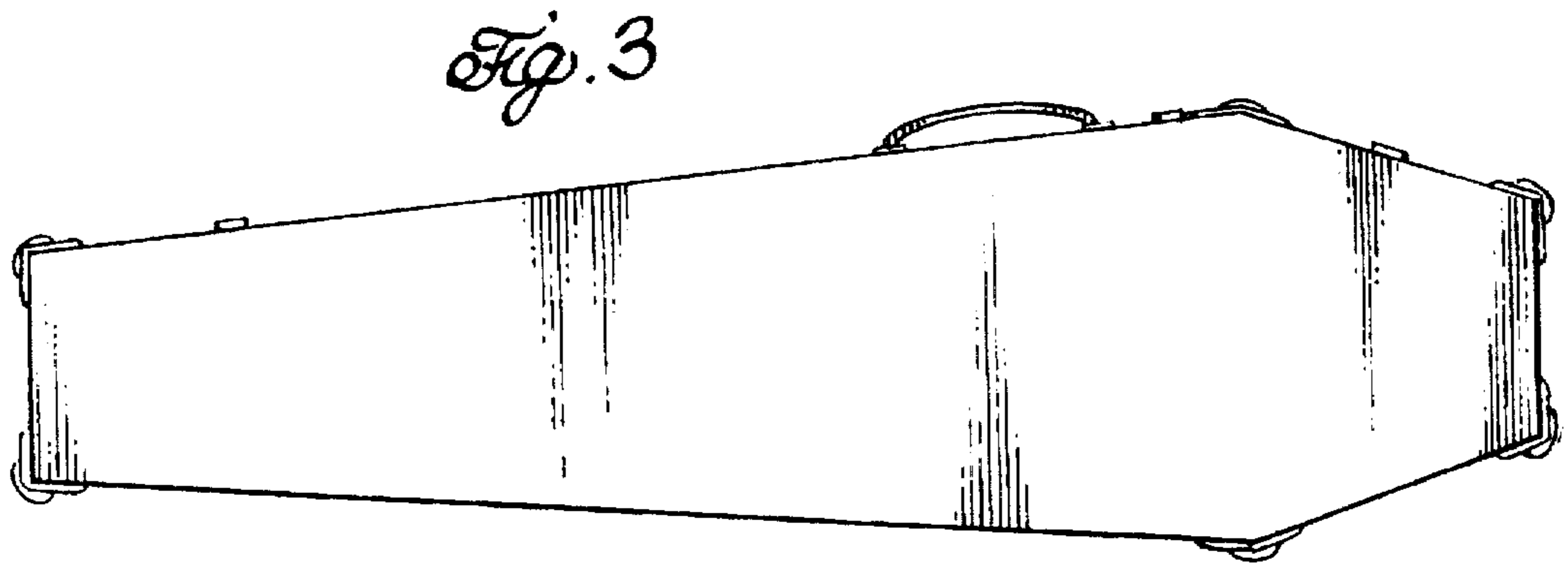
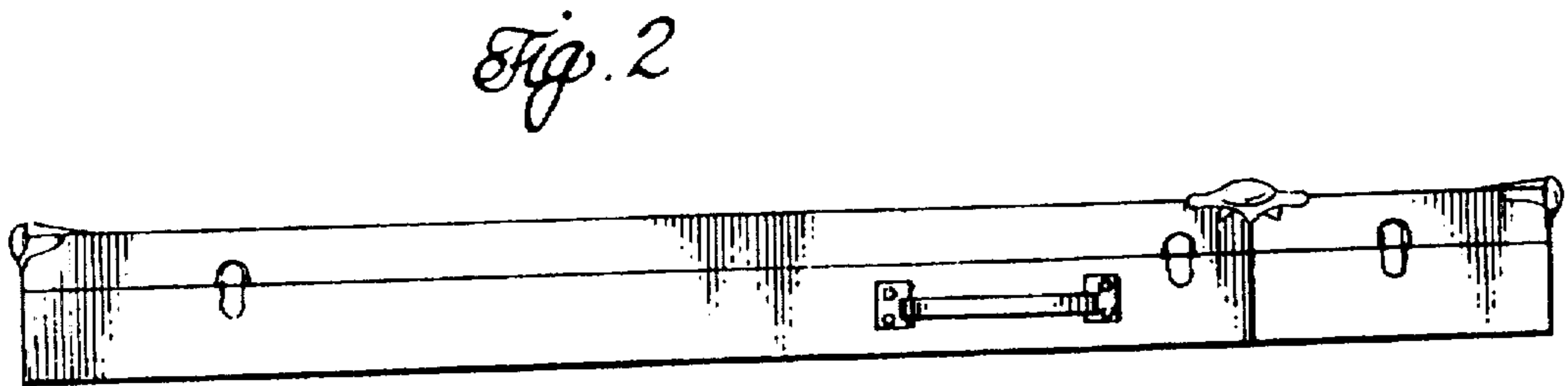
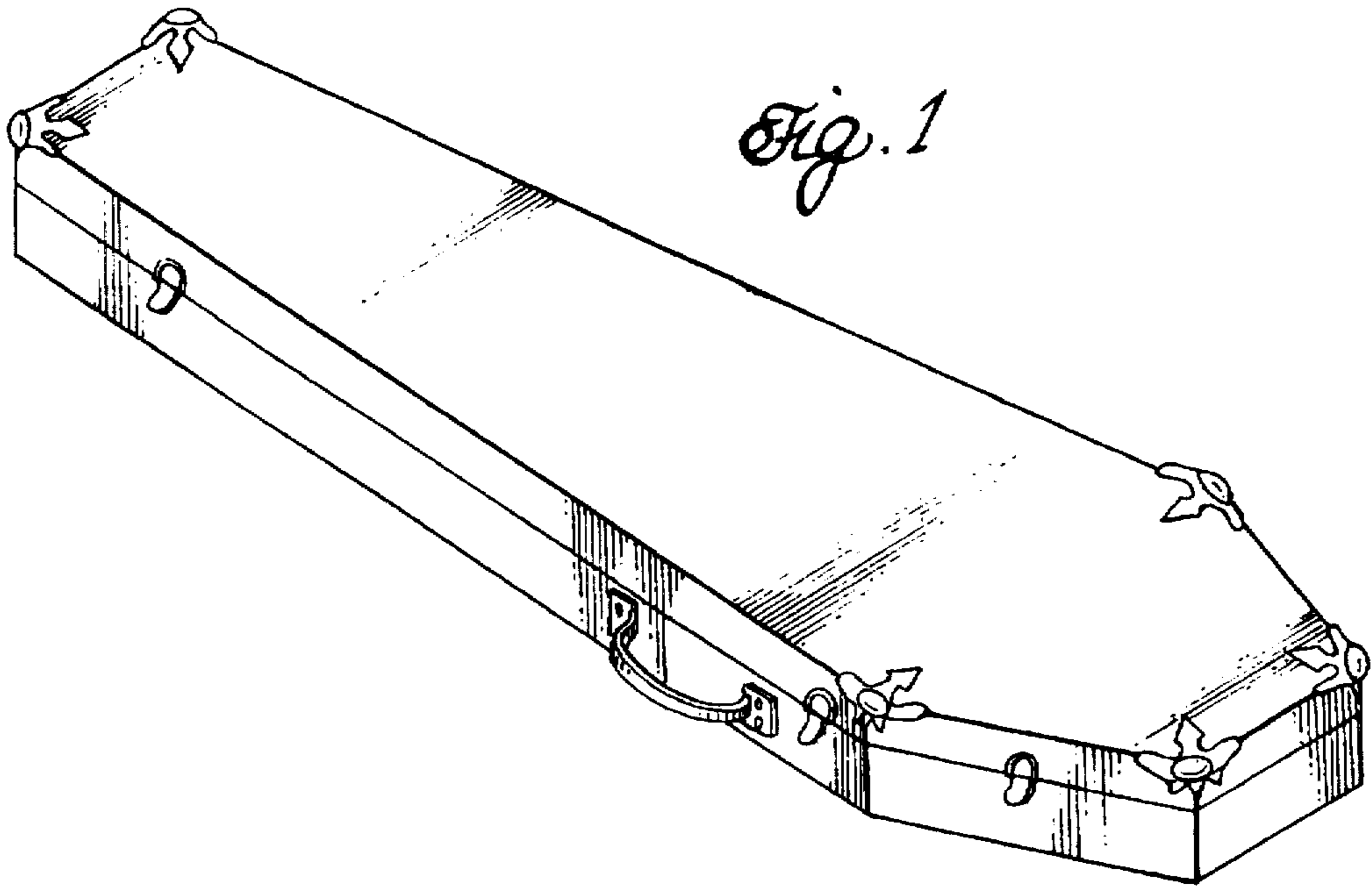


Fig. 4

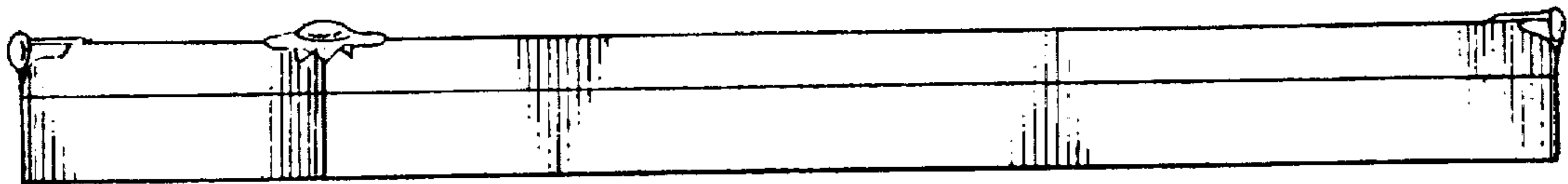


Fig. 5

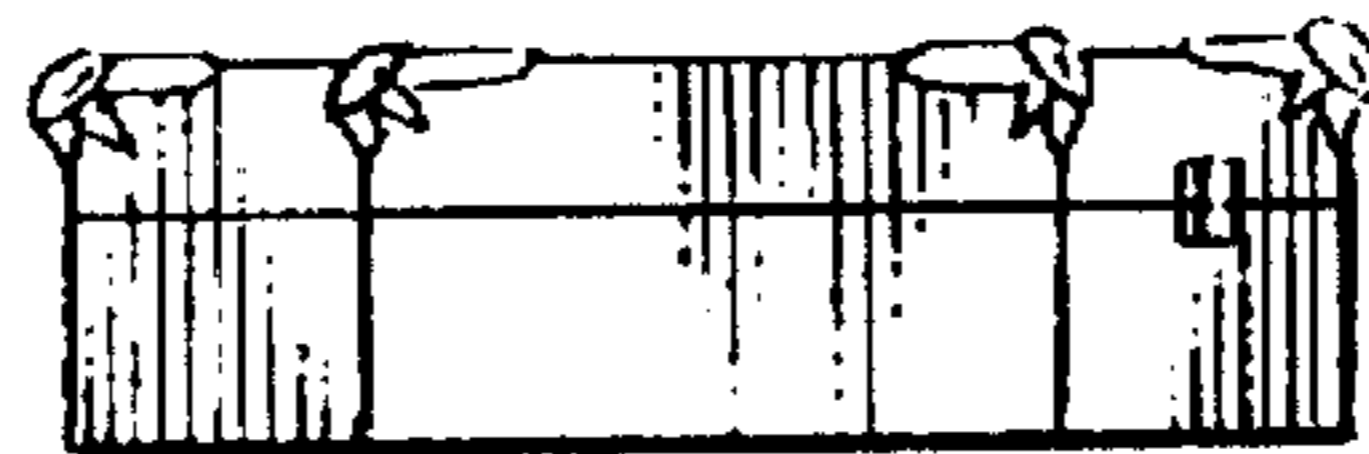


Fig. 6

