



US00D388582S

# United States Patent [19]

Irvin, Jr.

[11] Patent Number: **Des. 388,582**

[45] Date of Patent: **\*\*Dec. 30, 1997**

[54] **PALLET PULLER**

[76] Inventor: **William S. Irvin, Jr., 376 W. High Point La., Columbia, Mo. 65203**

[\*\*] Term: **14 Years**

[21] Appl. No.: **60,499**

[22] Filed: **Sep. 30, 1996**

[51] LOC (6) Cl. .... **12-05**

[52] U.S. Cl. .... **D34/28; D8/367**

[58] Field of Search ..... **D34/28, 34, 35; D8/367, 102, 14; 248/323**

[56] **References Cited**

**U.S. PATENT DOCUMENTS**

D. 260,601	9/1981	Kawaguchi	.....	D8/367
D. 293,281	12/1987	White	.....	D8/367 X
D. 329,798	9/1992	Kramer et al.	.....	D8/102
D. 366,994	2/1996	Byers et al.	.....	D8/14
3,712,509	1/1972	Niel	.....	D8/14
4,004,770	1/1977	Karass	.....	D8/367 X
4,509,242	4/1985	Marra	.....	D8/14 X

**OTHER PUBLICATIONS**

Union Machinery Catalog No. 981, p. 117, Heavy Duty Pallet Pullers, 1996.

Grainger 1996 Catalog No. 387, p. 1899, Pallet Pullers, 1996.

*Primary Examiner*—M. N. Pandozzi

*Attorney, Agent, or Firm*—Grace J. Fishel

[57] **CLAIM**

The ornamental design for a pallet puller, as shown and described.

**DESCRIPTION**

FIG. 1 is a perspective view of a pallet puller showing my new design in use;

FIG. 2 is a top view thereof;

FIG. 3 is a front view thereof;

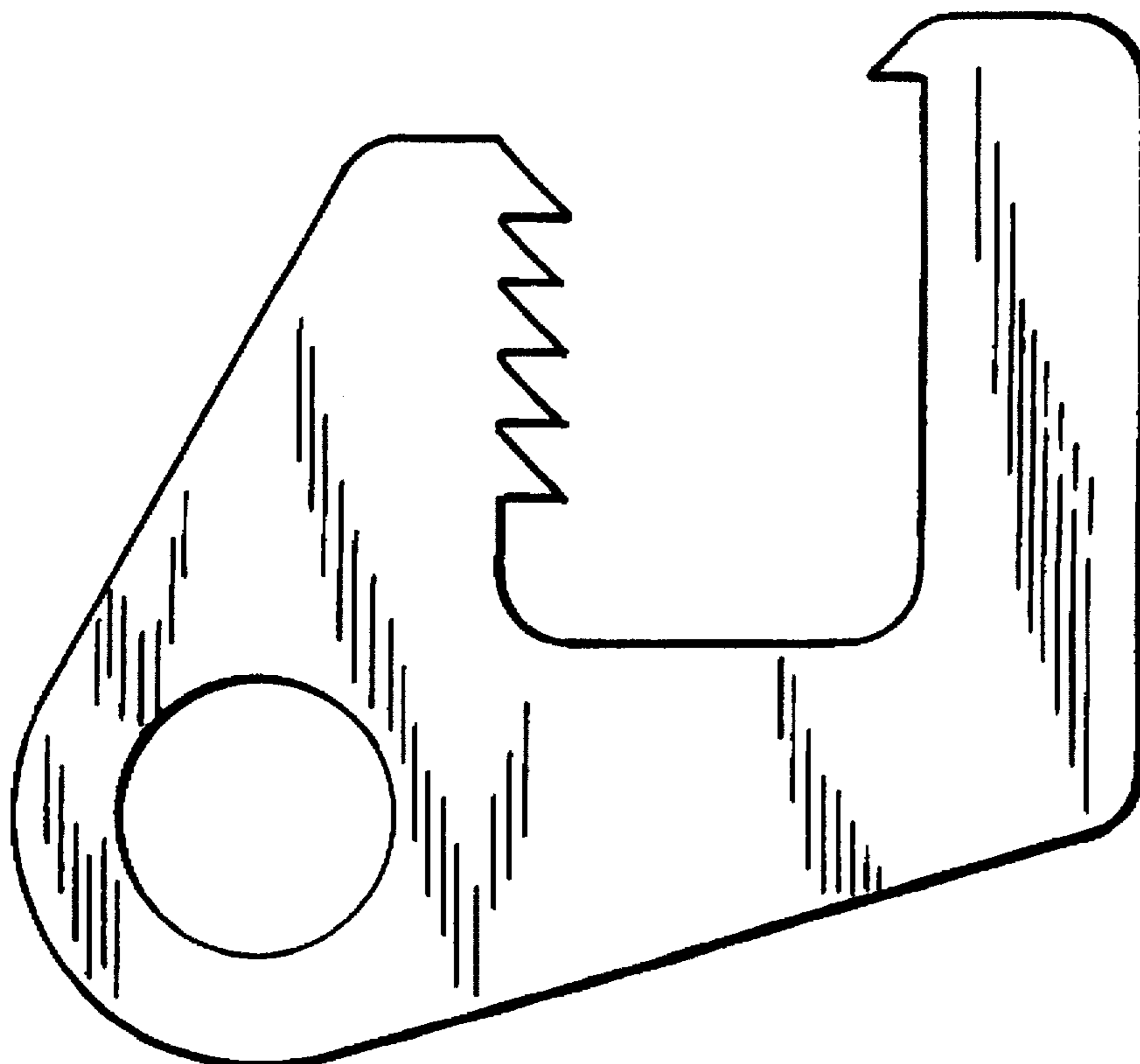
FIG. 4 is a right side view thereof;

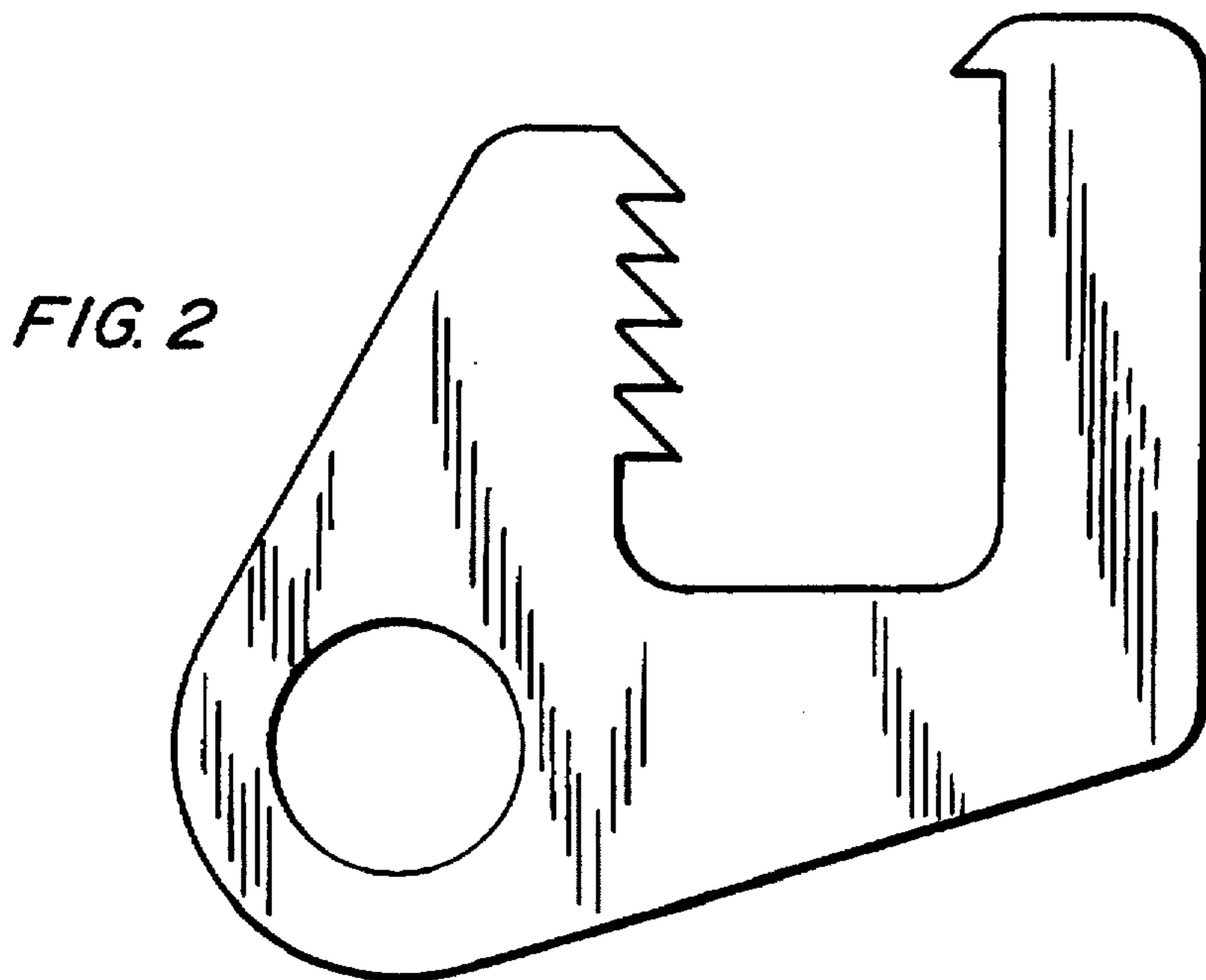
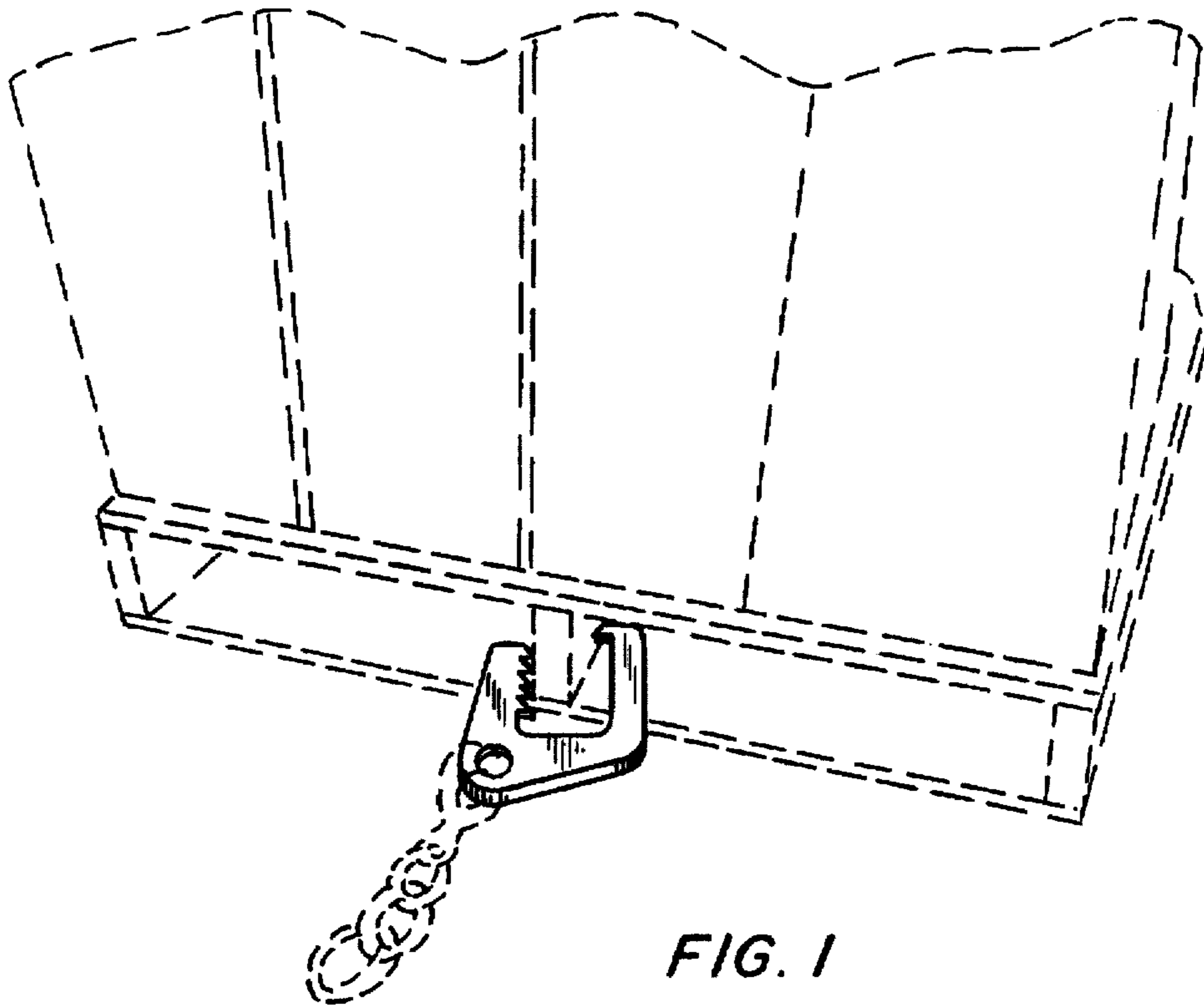
FIG. 5 is a rear view thereof; and,

FIG. 6 is a left side view thereof.

The broken line showing of the pallet, boxes, and chain are for illustrative purposes only and forms no part of the claimed design.

**1 Claim, 2 Drawing Sheets**







*FIG. 3*



*FIG. 4*



*FIG. 5*



*FIG. 6*