



US00D388581S

United States Patent [19]

Wu

[11] Patent Number: **Des. 388,581**

[45] Date of Patent: ****Dec. 30, 1997**

[54] **GOLF CART HANDLEBAR WITH SCORE BOARD**

D. 347,719	6/1994	Macher et al.	D34/15
D. 353,700	12/1994	Wu	D34/27
D. 357,785	4/1995	Wang	D34/27

[76] Inventor: **Ching-Chang Wu**, No. 35-1, Jih Hsin Street, Tu Cheng Hsiang, Taipei Hsien, Taiwan

Primary Examiner—Melody N. Brown
Attorney, Agent, or Firm—Varndell Legal Group

[**] Term: **14 Years**

[57] CLAIM

[21] Appl. No.: **61,638**

The ornamental design for a golf cart handlebar with score board, as shown and described.

[22] Filed: **Oct. 28, 1996**

DESCRIPTION

[51] LOC (6) Cl. **12-02**

[52] U.S. Cl. **D34/27**

[58] Field of Search D34/27, 15; D8/10; D21/234; D12/16; 280/DIG. 5, DIG. 6, 646

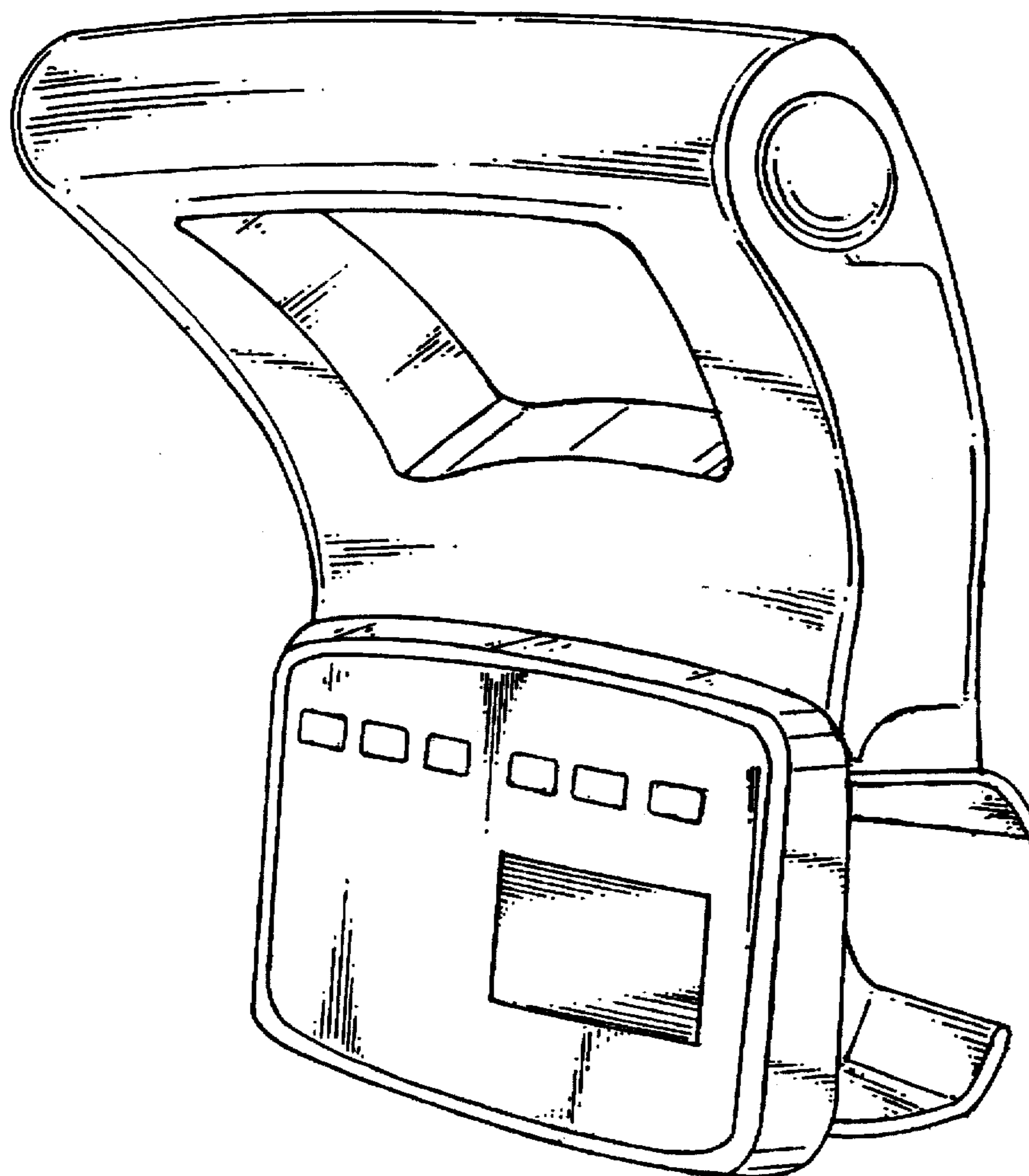
FIG. 1 is a perspective view of a golf cart handlebar with score board showing my new design;
FIG. 2 is a front elevational view thereof;
FIG. 3 is a rear elevational view thereof;
FIG. 4 is a top plan view thereof;
FIG. 5 is a bottom plan view thereof;
FIG. 6 is a left side elevational view thereof; and,
FIG. 7 is a right side elevational view thereof.

[56] References Cited

U.S. PATENT DOCUMENTS

D. 331,652	12/1992	Wu	D34/27
D. 339,892	9/1993	Wu	D34/27

1 Claim, 6 Drawing Sheets



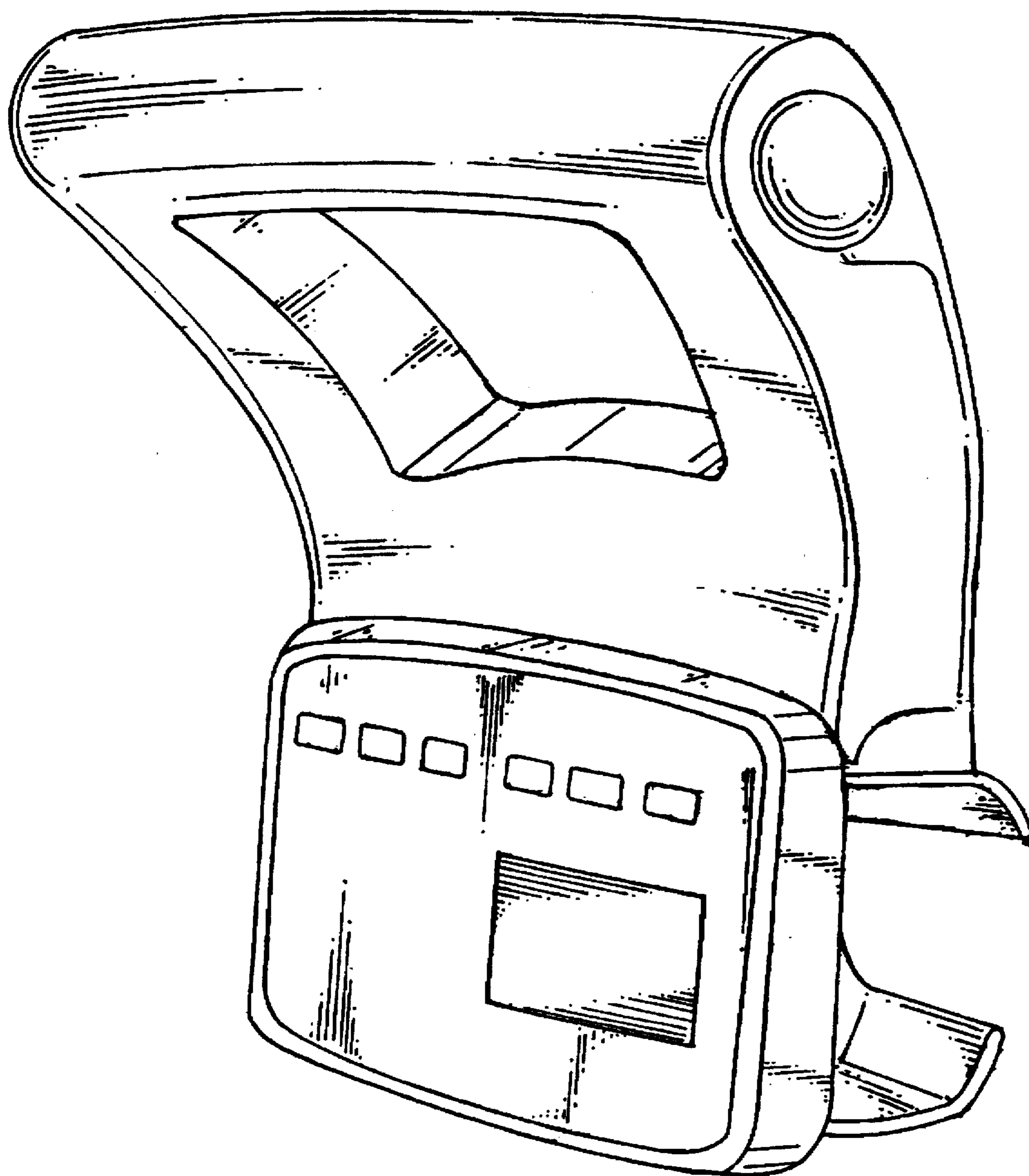


Fig. 1

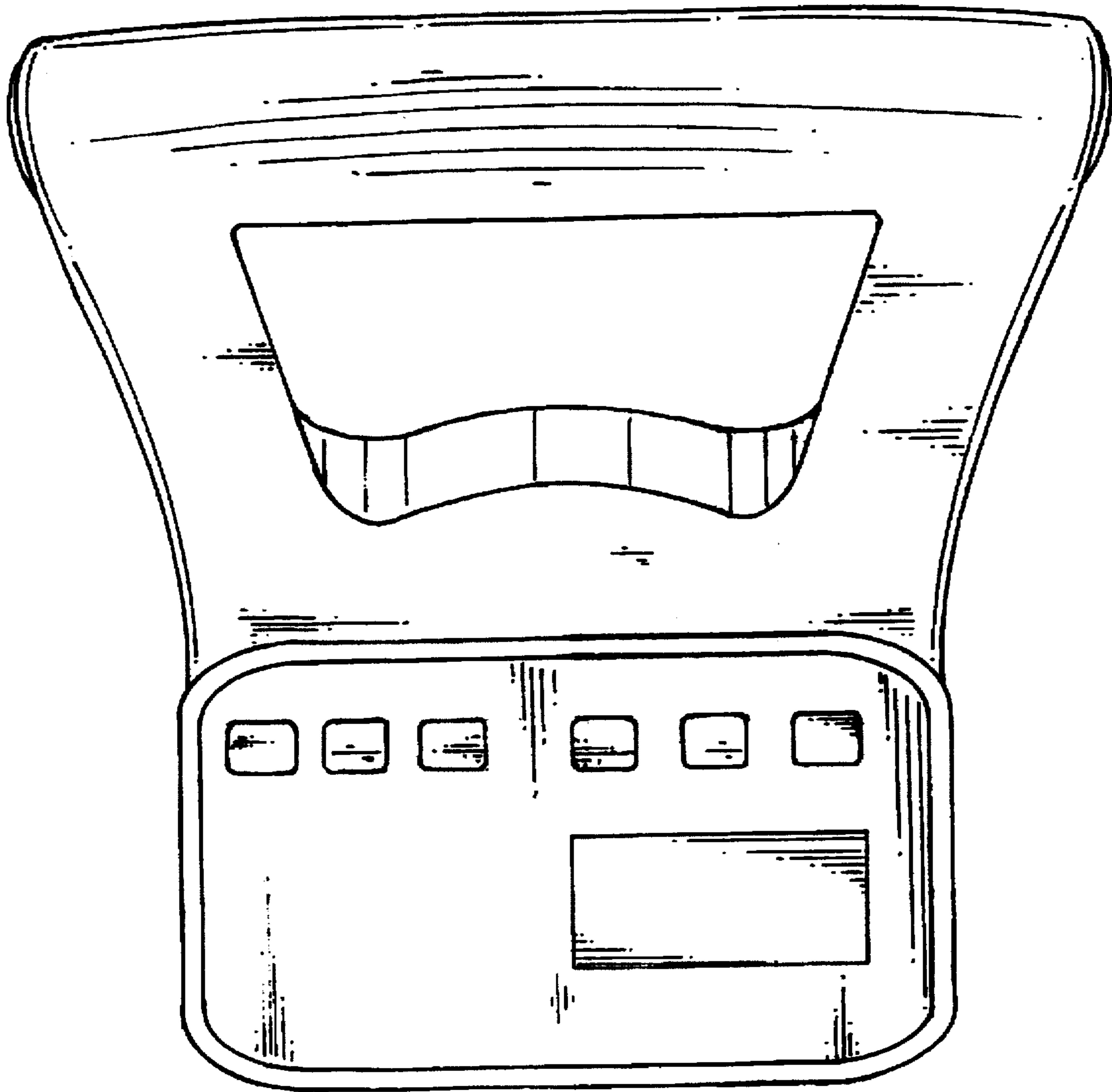


Fig. 2

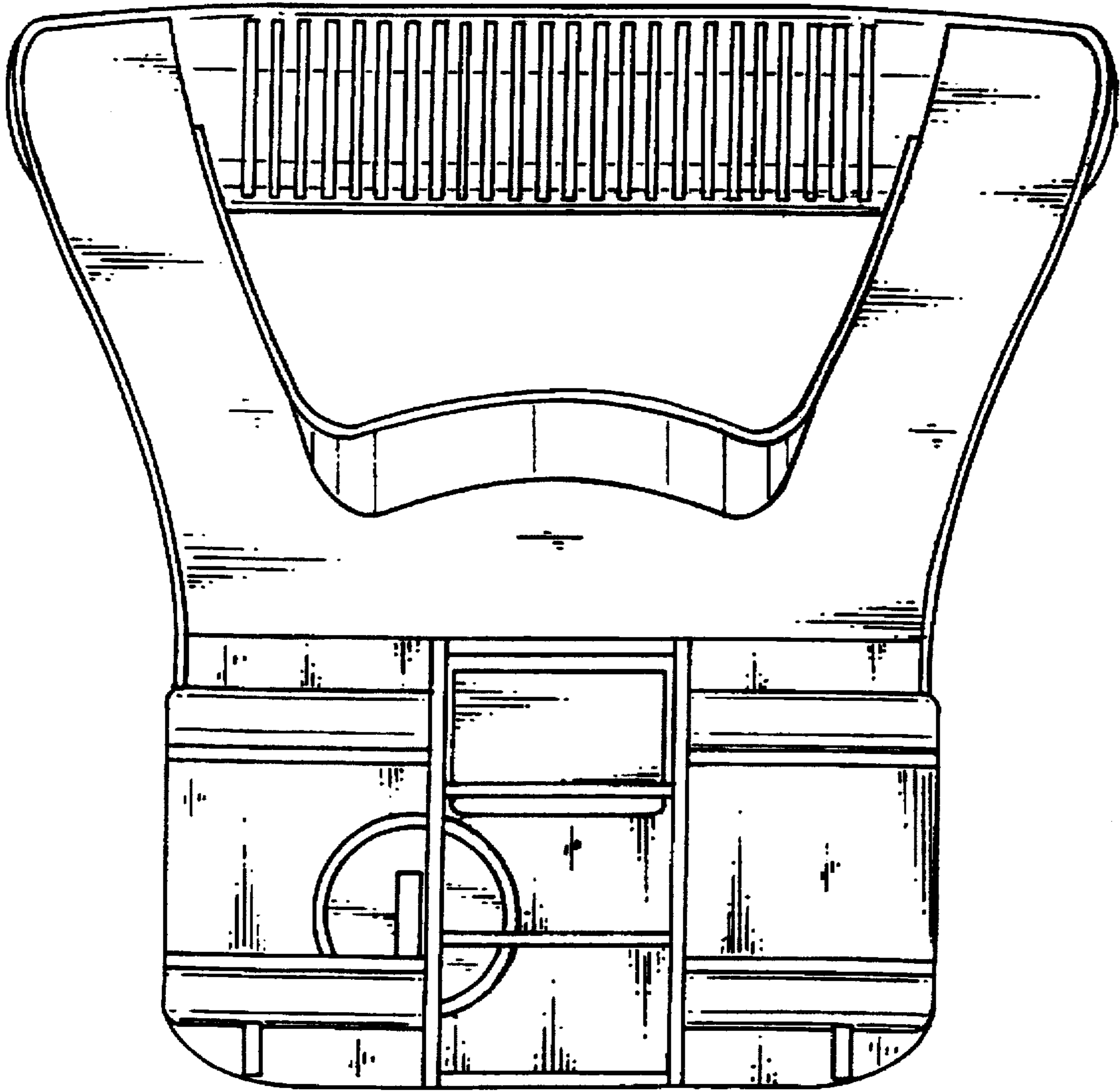


Fig. 3

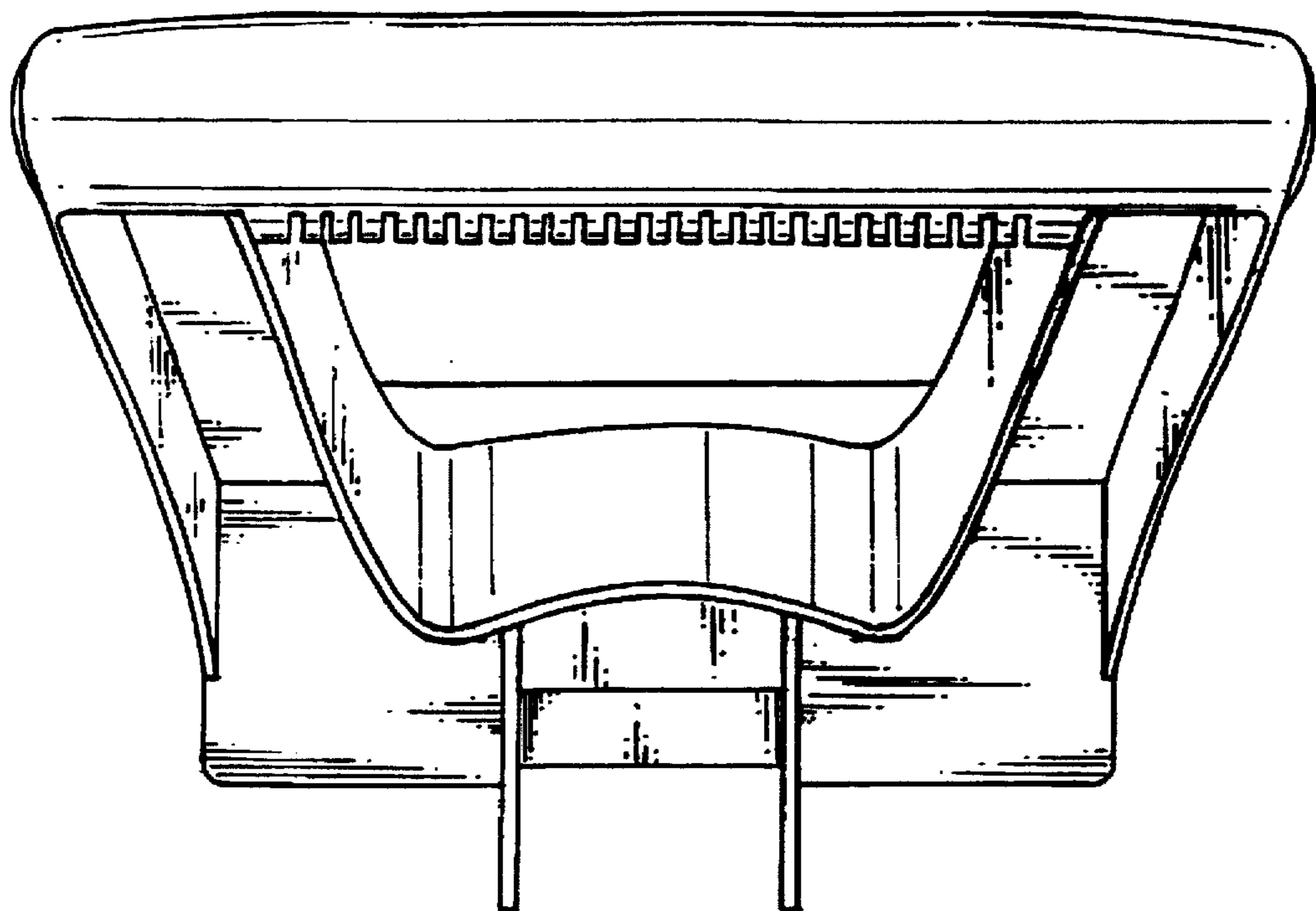


Fig. 4

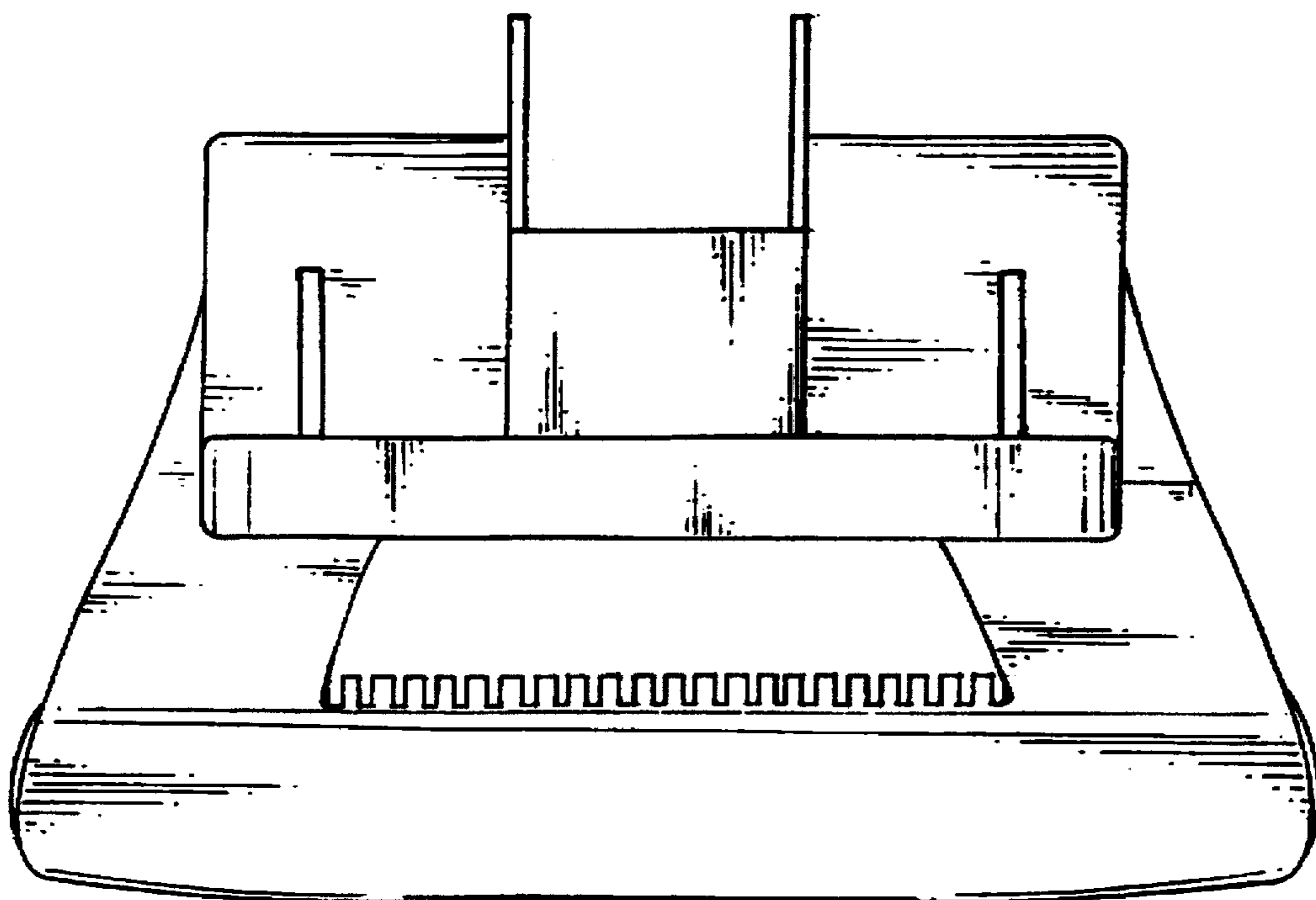


Fig. 5

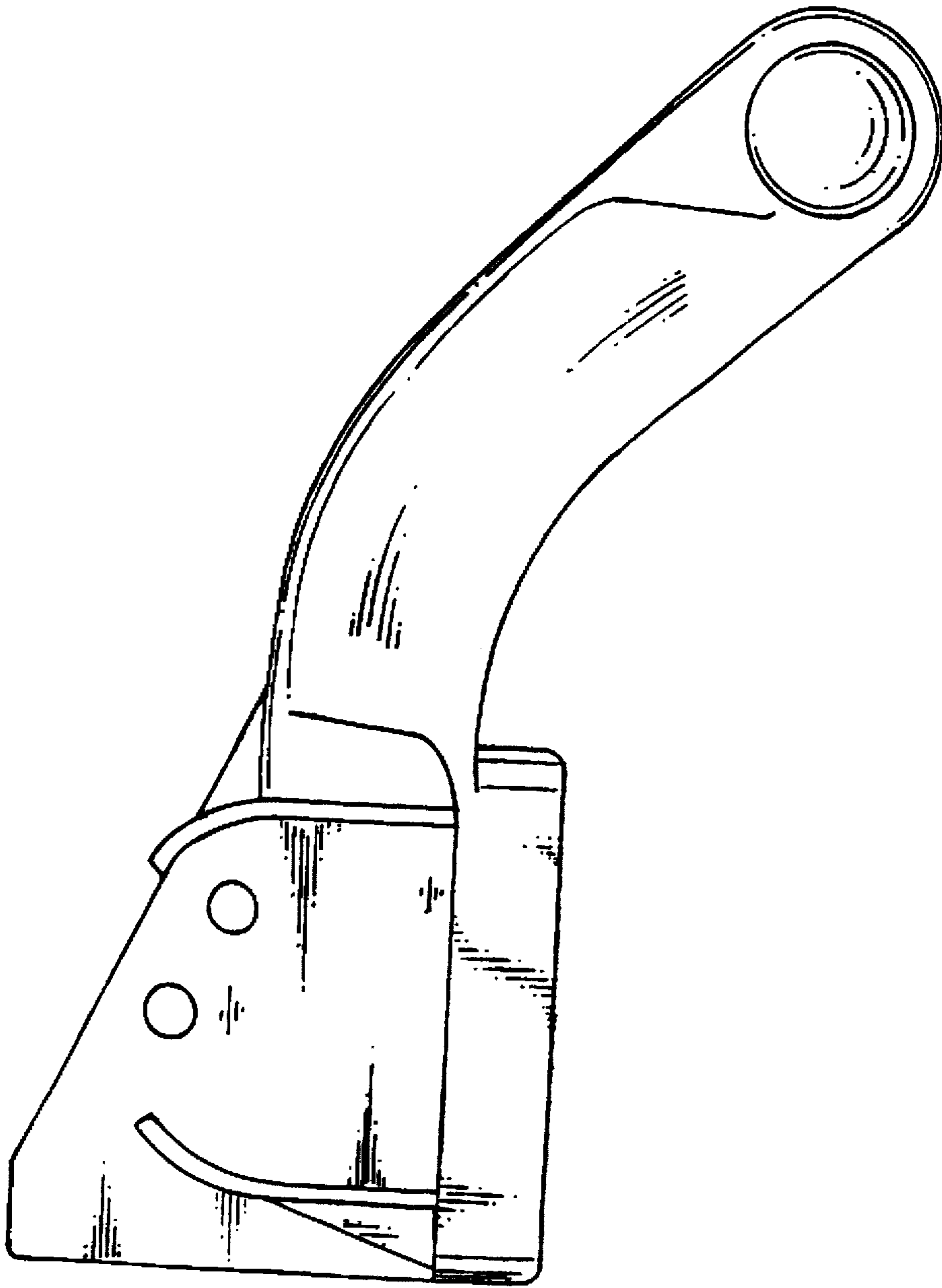


Fig 6

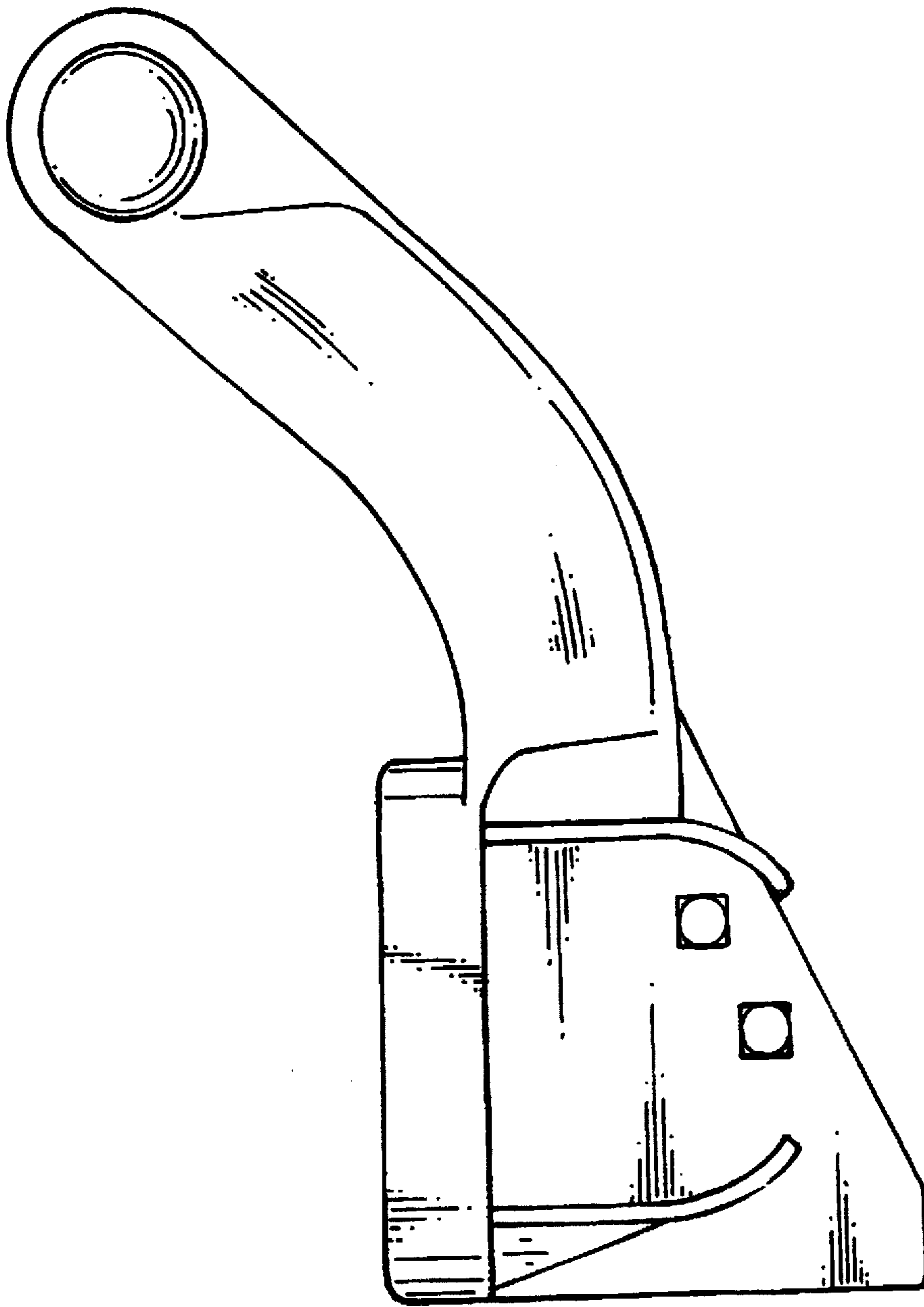


Fig. 7