



US00D388580S

United States Patent [19]
Havlovitz

[11] **Patent Number: Des. 388,580**
[45] **Date of Patent: **Dec. 30, 1997**

[54] **UTILITY CART**
[75] **Inventor: Paul M. Havlovitz, Escondido, Calif.**
[73] **Assignee: Republic Tool & Mfg. Corp.,
Carlsbad, Calif.**
[**] **Term: 14 Years**
[21] **Appl. No.: 56,760**
[22] **Filed: Jul. 8, 1996**
[51] **LOC (6) Cl. 12-02**
[52] **U.S. Cl. D34/19; D34/16**
[58] **Field of Search D34/12, 24, 25,
D34/26, 17, 18, 19, 20; 280/47.26, 47.12,
47.18, 47.31**

D. 356,411 3/1995 Gingras et al. D34/16
D. 361,191 8/1995 Kowalski et al. D34/27
D. 370,326 5/1996 Chapman et al. D34/16

Primary Examiner—Kay H. Chin
Attorney, Agent, or Firm—Harry Williams

[57] **CLAIM**

The ornamental design for a utility cart, as shown and described.

DESCRIPTION

FIG. 1 is a perspective view taken from the top, front and right side view of a utility cart showing our new design; FIG. 2 is a perspective view taken from the top, rear and right side view thereof; FIG. 3 is left side elevational view thereof; FIG. 4 is right side elevational view thereof; FIG. 5 is a front elevational view thereof; FIG. 6 is a rear elevational view thereof; FIG. 7 is a top plan view thereof; and, FIG. 8 is a bottom plan view thereof.

[56] **References Cited**

U.S. PATENT DOCUMENTS

D. 311,621 10/1990 Fuller D34/12
D. 327,350 6/1992 Brown et al. D34/16
D. 337,409 7/1993 Maple et al. D34/27
D. 355,515 2/1995 Spear et al. D34/16

1 Claim, 4 Drawing Sheets

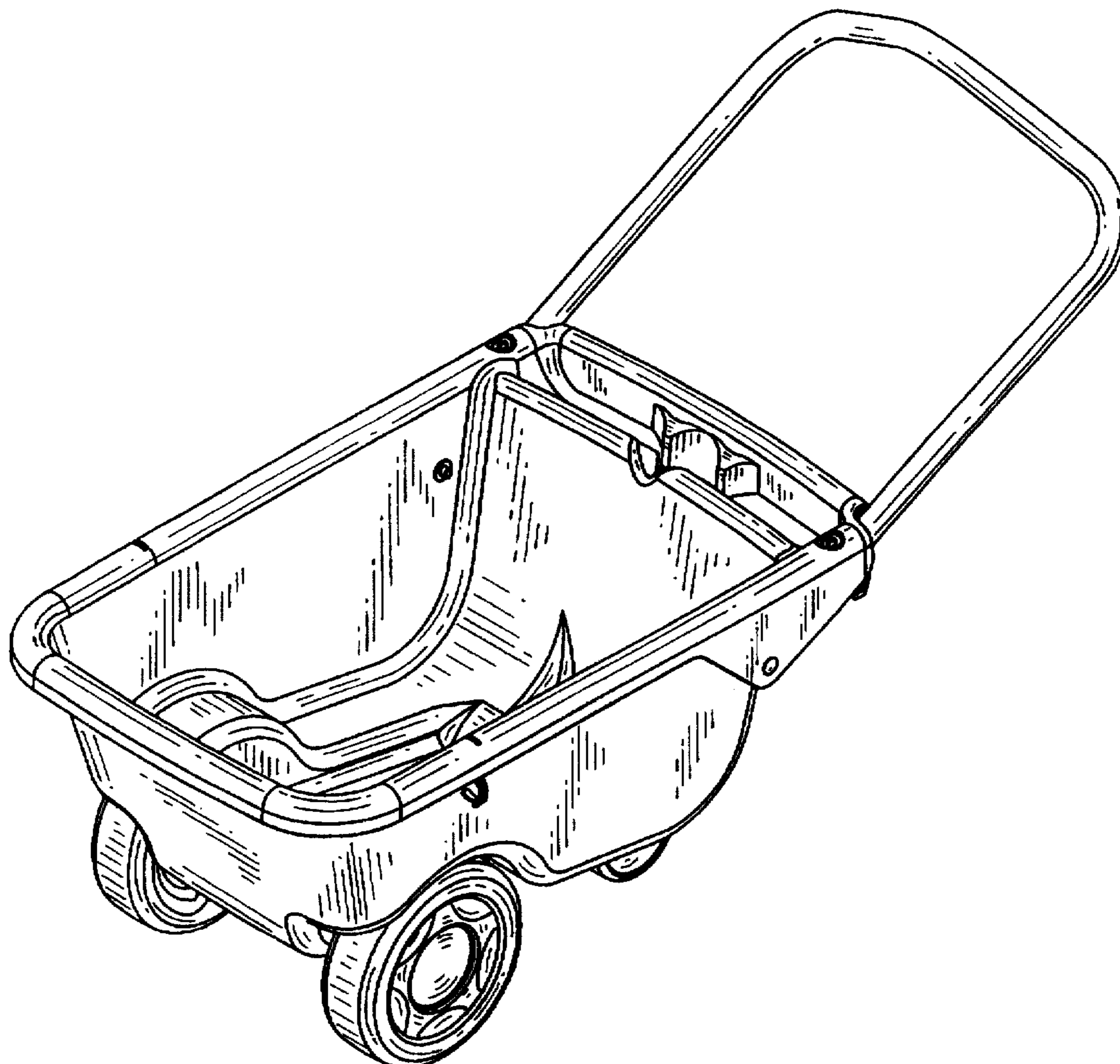


FIG. 1

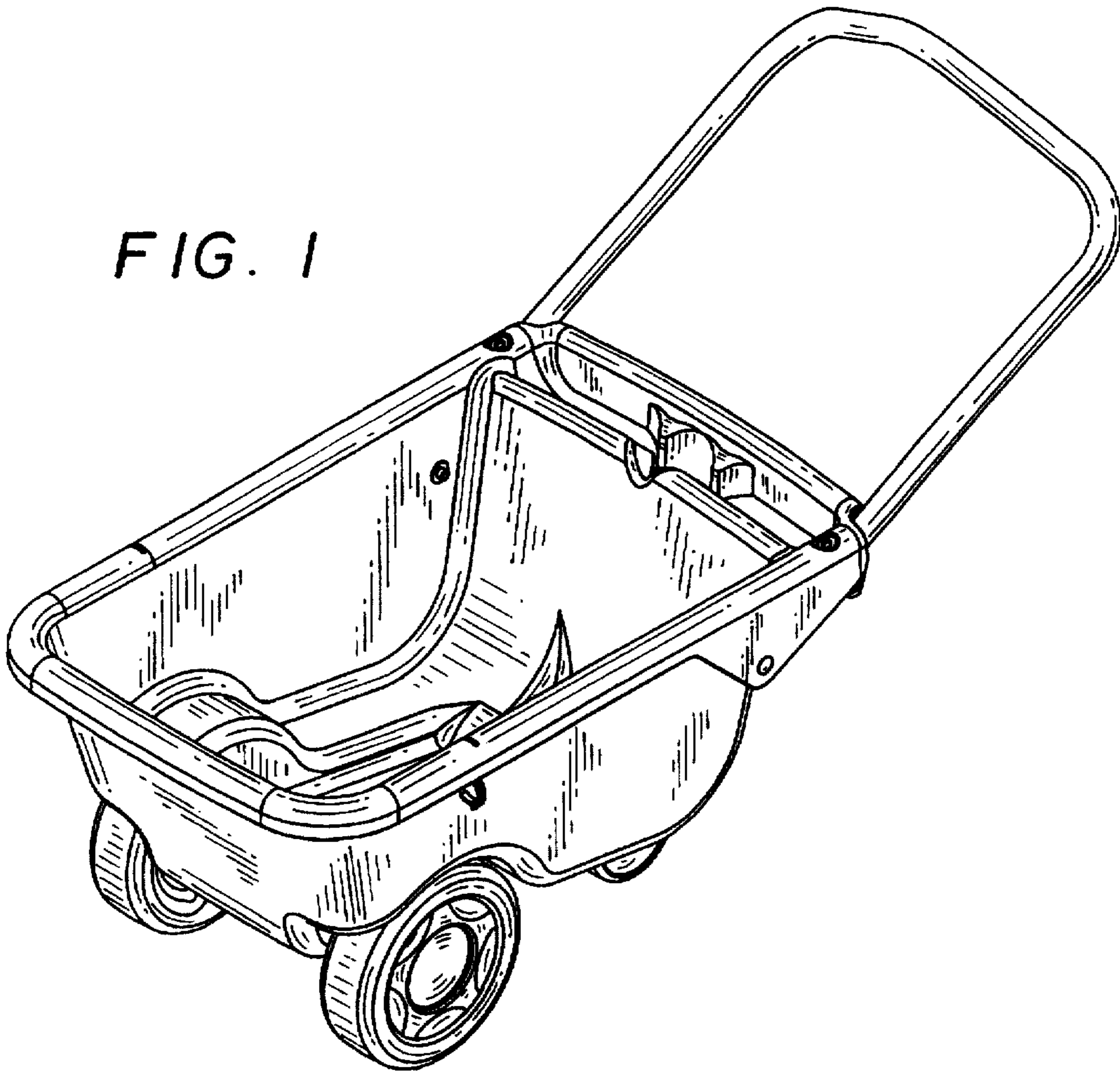
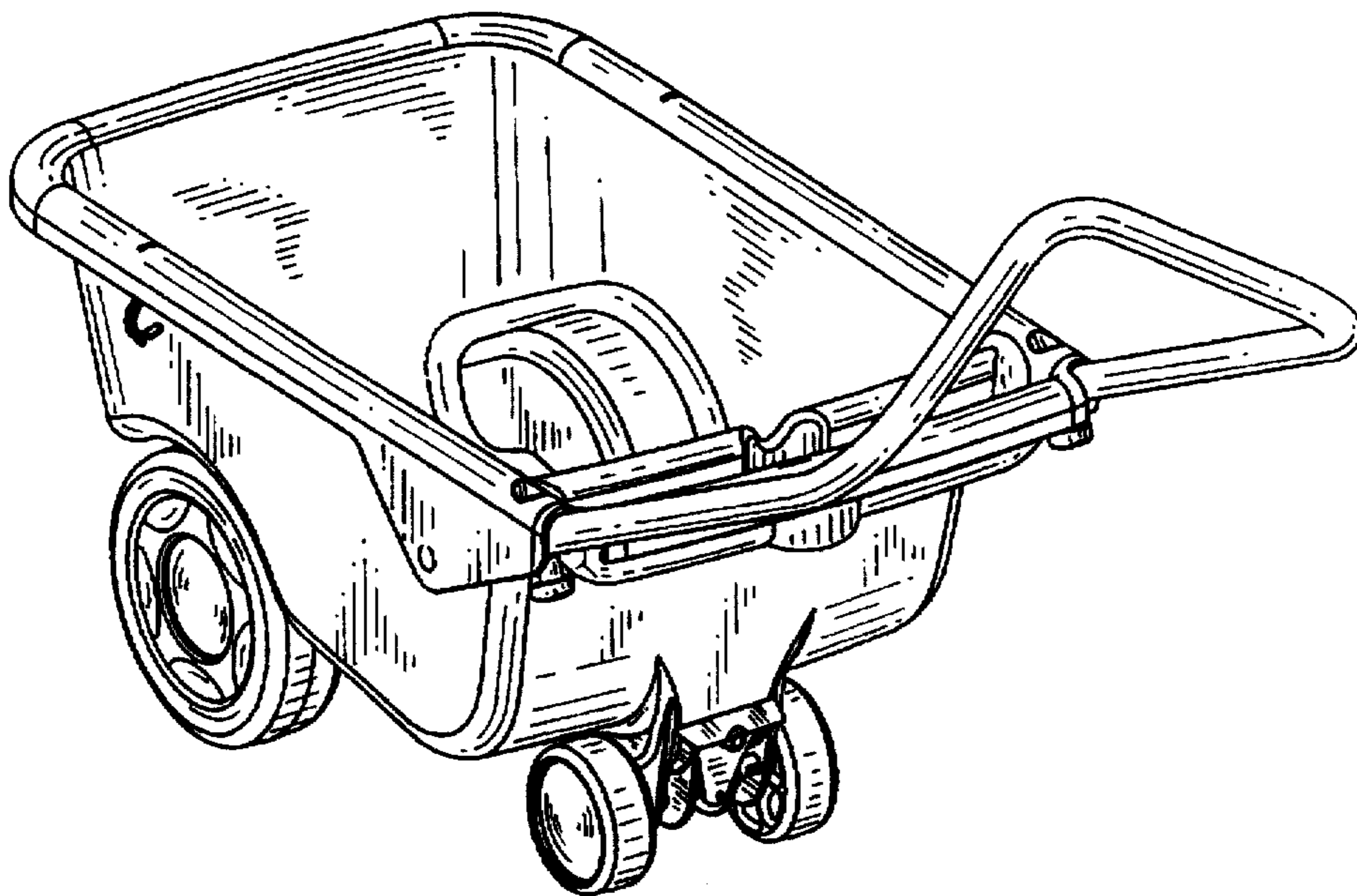


FIG. 2



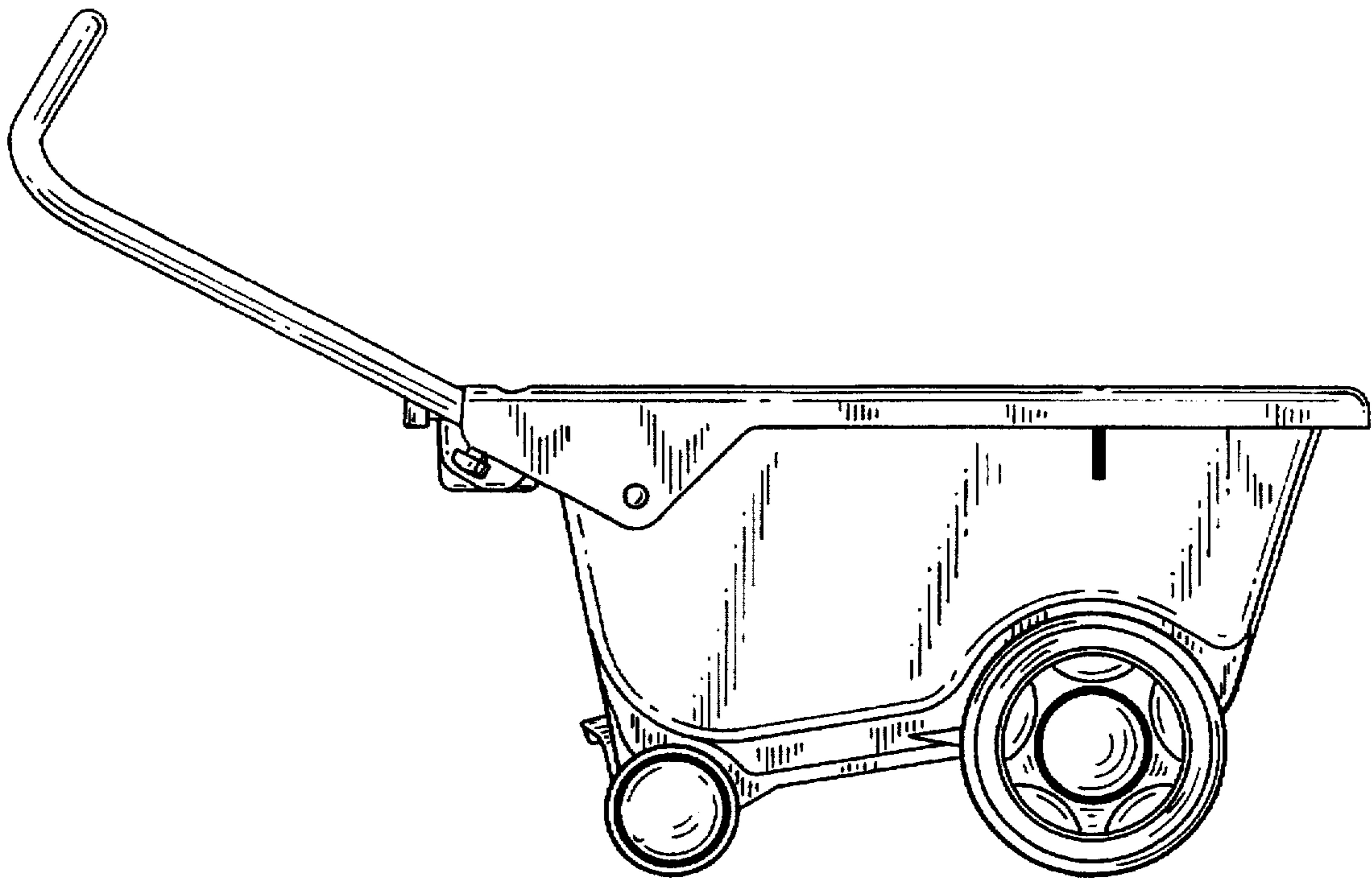


FIG. 3

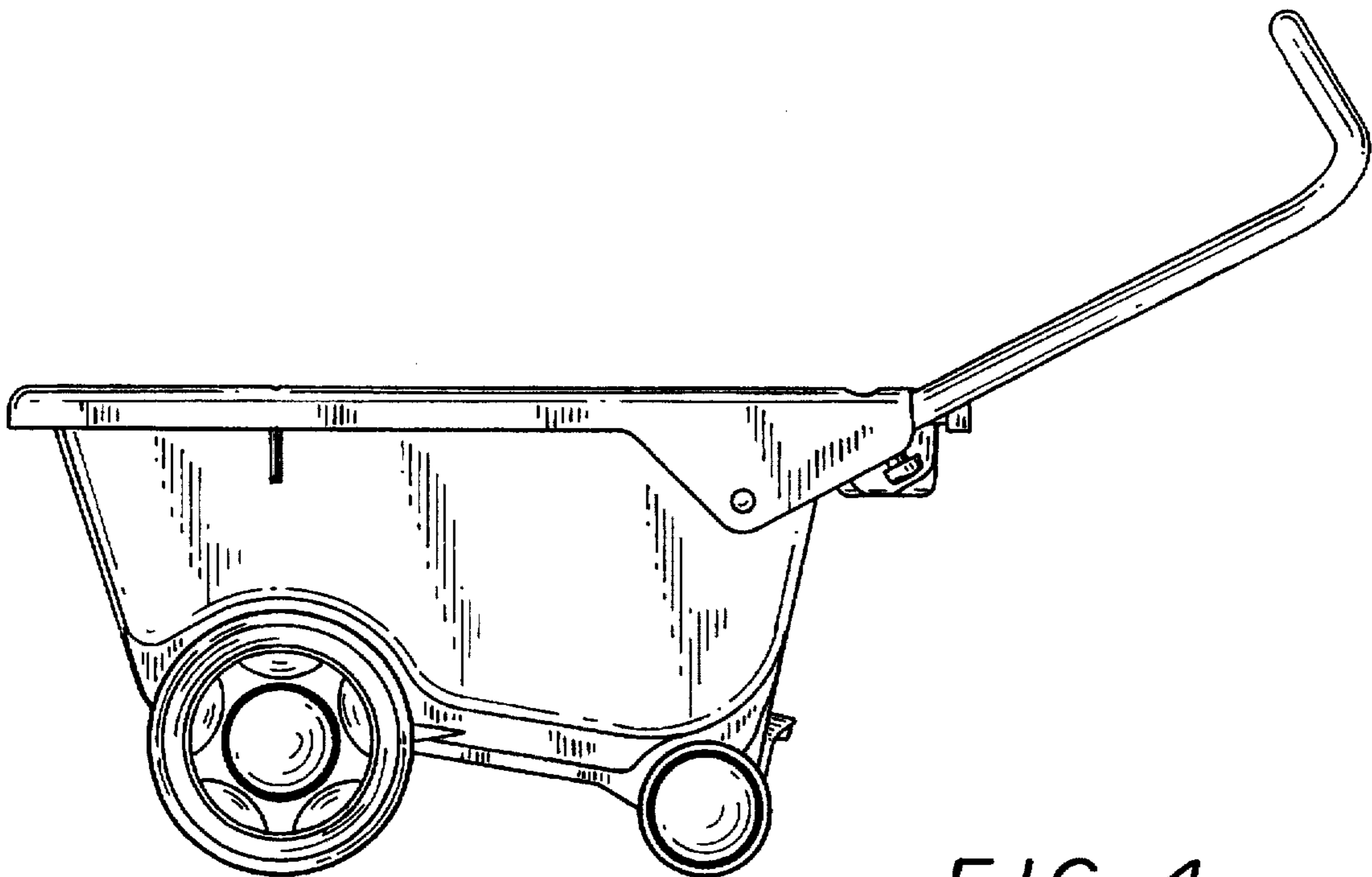


FIG. 4

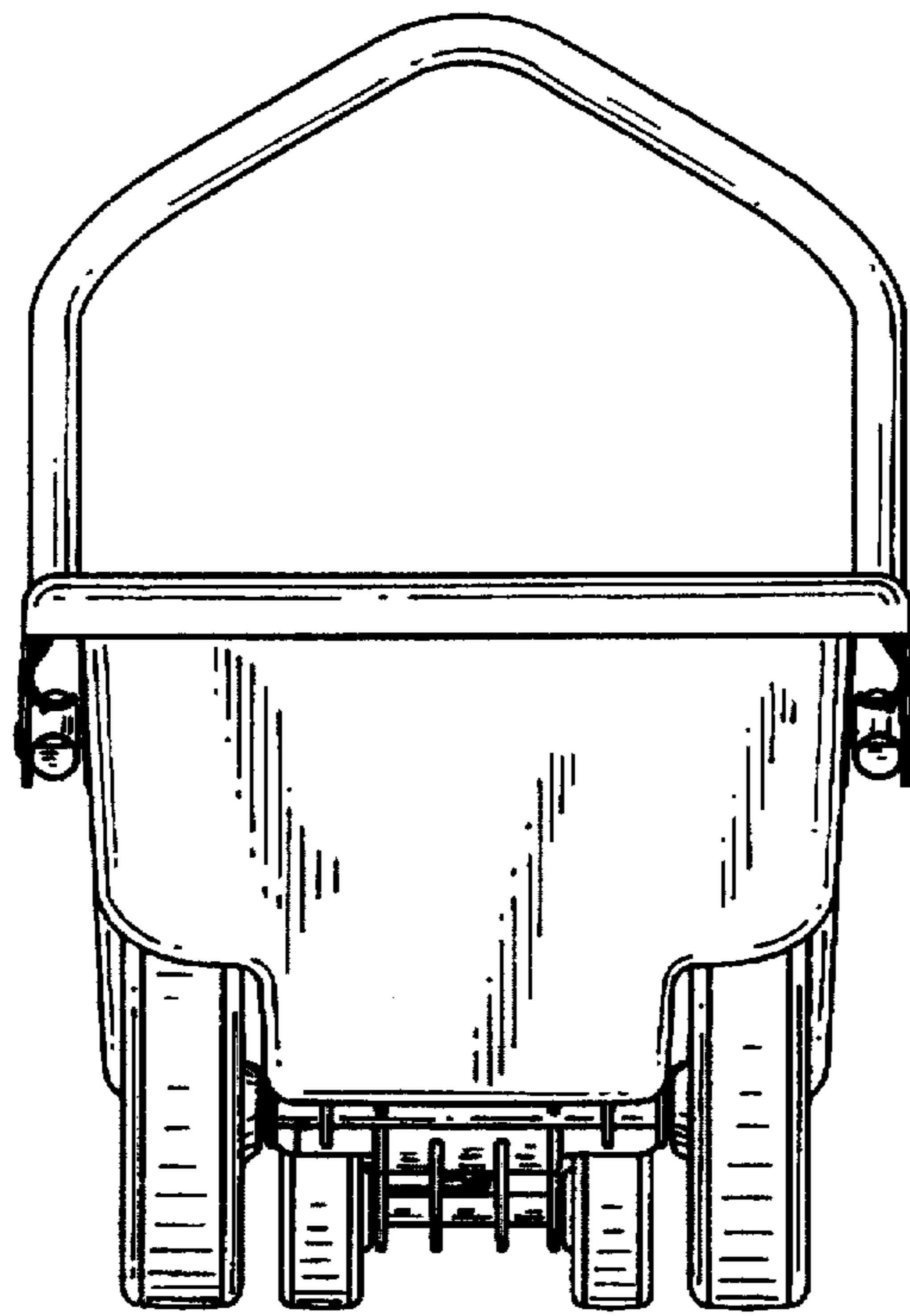


FIG. 5

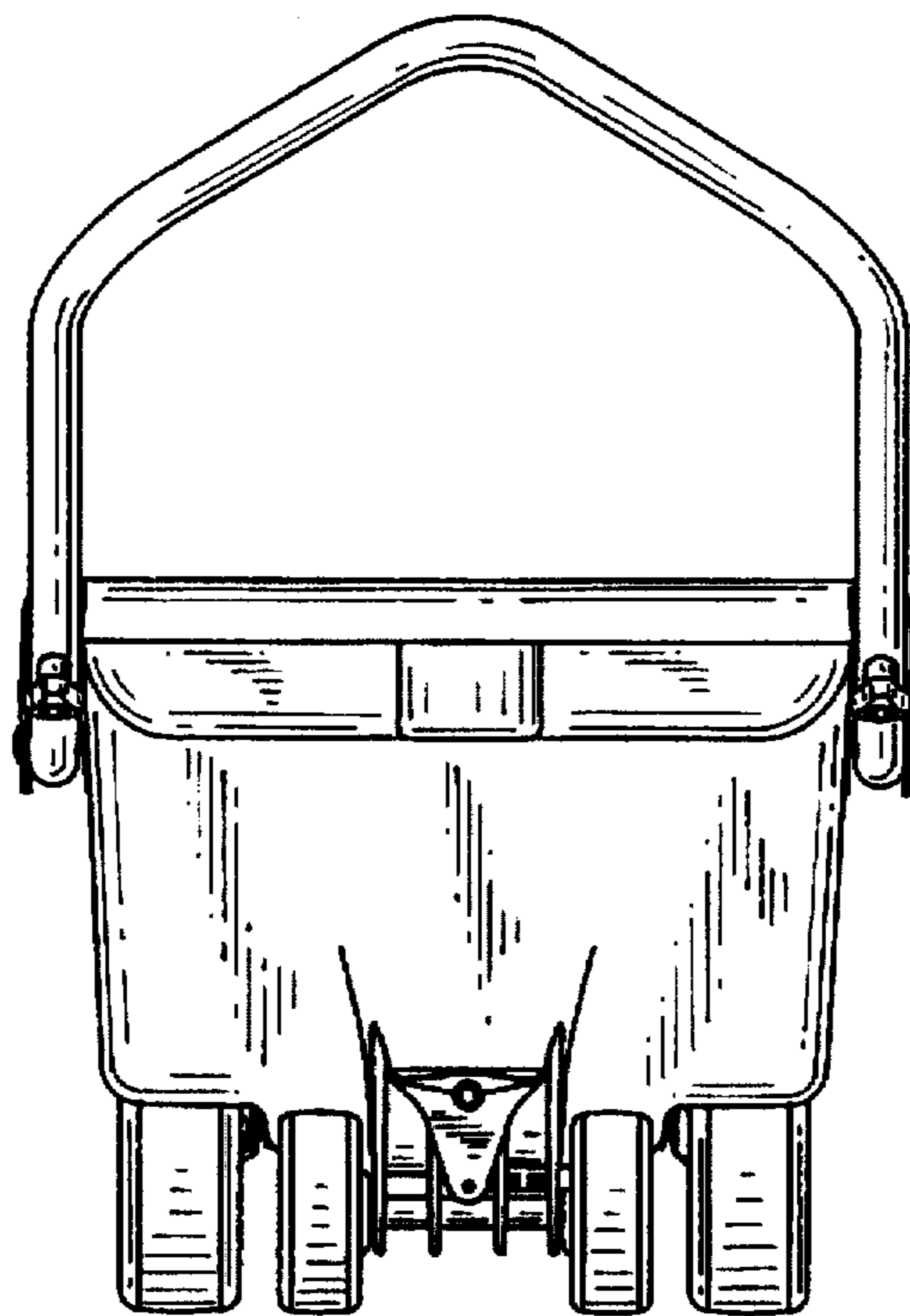


FIG. 6

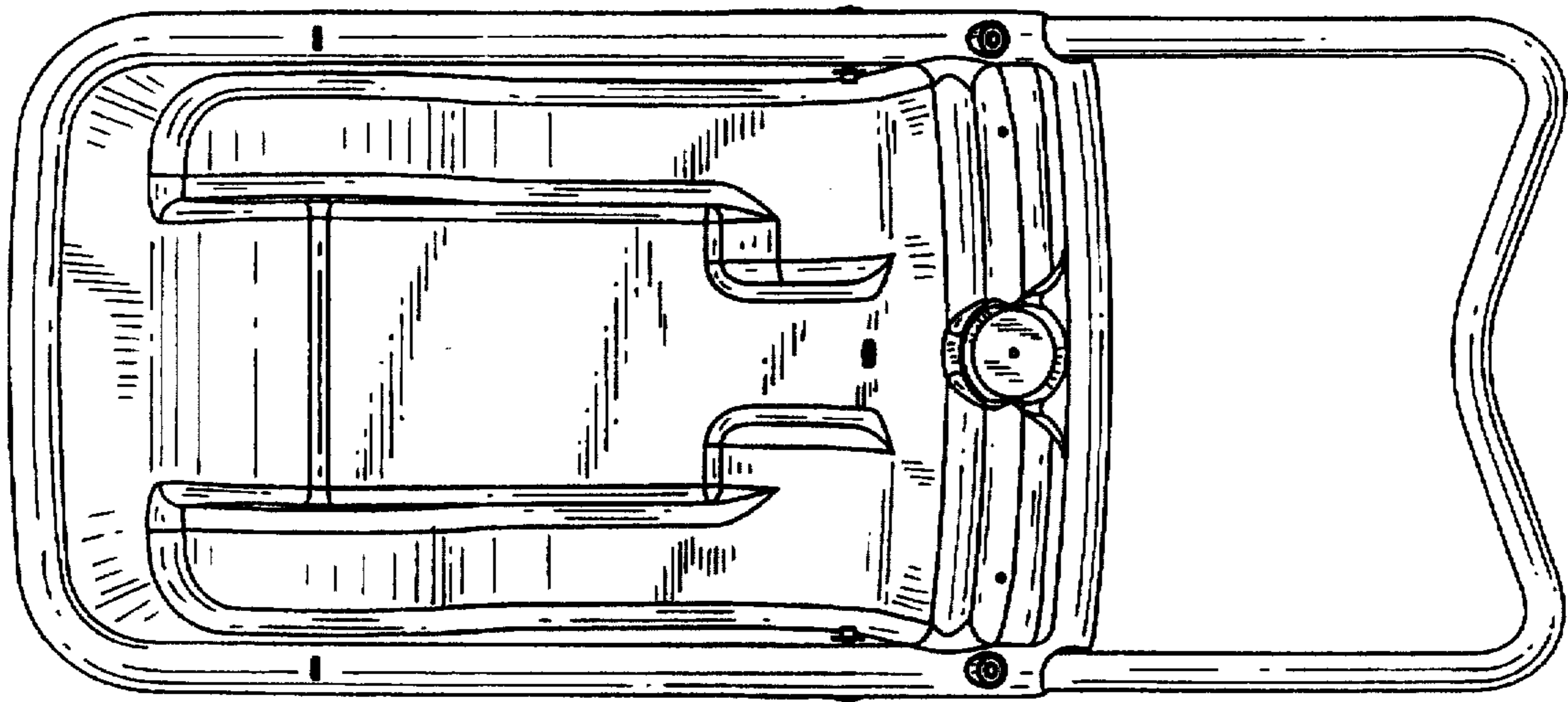


FIG. 7

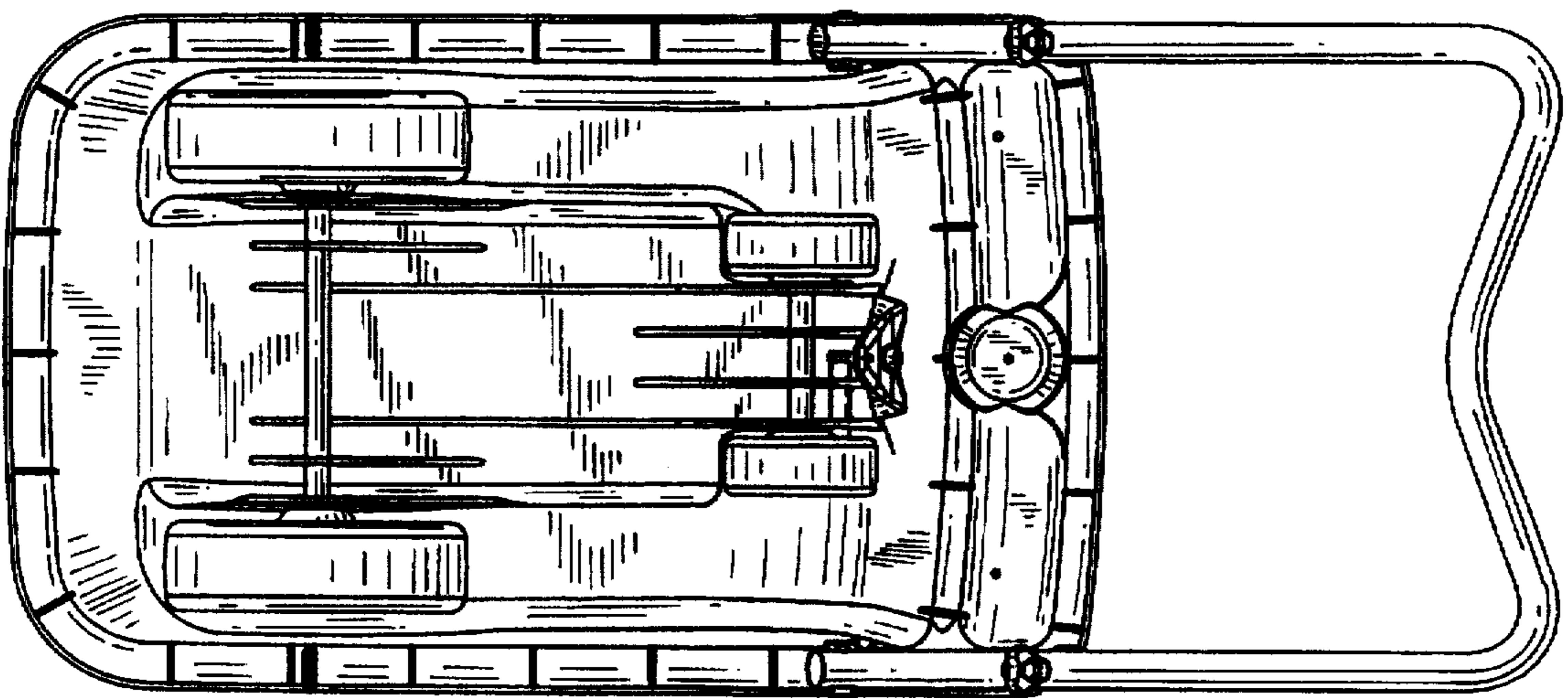


FIG. 8