



US00D388577S

# United States Patent [19]

[11] Patent Number: **Des. 388,577**

Rehrig et al.

[45] Date of Patent: **\*\*Dec. 30, 1997**

[54] **ROLL OUT TRASH CART**

[75] Inventors: **James B. Rehrig**, Rancho Palos Verdes, Calif.; **William Pat Apps**, Alpharetta, Ga.

[73] Assignee: **Rehrig Pacific Company**, Los Angeles, Calif.; a part interest

[\*\*] Term: **14 Years**

[21] Appl. No.: **56,059**

[22] Filed: **Jun. 20, 1996**

[51] LOC (6) Cl. .... **09-09**

[52] U.S. Cl. .... **D34/5**

[58] Field of Search ..... D34/1, 5-7; D32/37, D32/36; 232/43.2, 1 R; 220/908, 909, 910, 911

D. 324,595	3/1992	Beese et al.	.....	D34/5
D. 347,095	5/1994	Apps et al.	.....	D34/5
D. 355,741	2/1995	Craft et al.	.....	D34/1
D. 365,428	12/1995	Prout et al.	.....	D34/5
5,356,027	10/1994	Craft et al.	.....	220/908

*Primary Examiner*—Alan P. Douglas  
*Assistant Examiner*—Robin V. Taylor  
*Attorney, Agent, or Firm*—George W. Finch

[57] **CLAIM**

The ornamental design for a roll out trash cart, as shown.

**DESCRIPTION**

FIG. 1 is a perspective view showing the front side, left side, and top of a roll out trash cart embodying the new ornamental design;

FIG. 2 is a front elevational view of the same;

FIG. 3 is a left side elevational view of the same;

FIG. 4 is a right side elevational view of the same;

FIG. 5 is a back elevational view of the same;

FIG. 6 is a top plan view of the same; and,

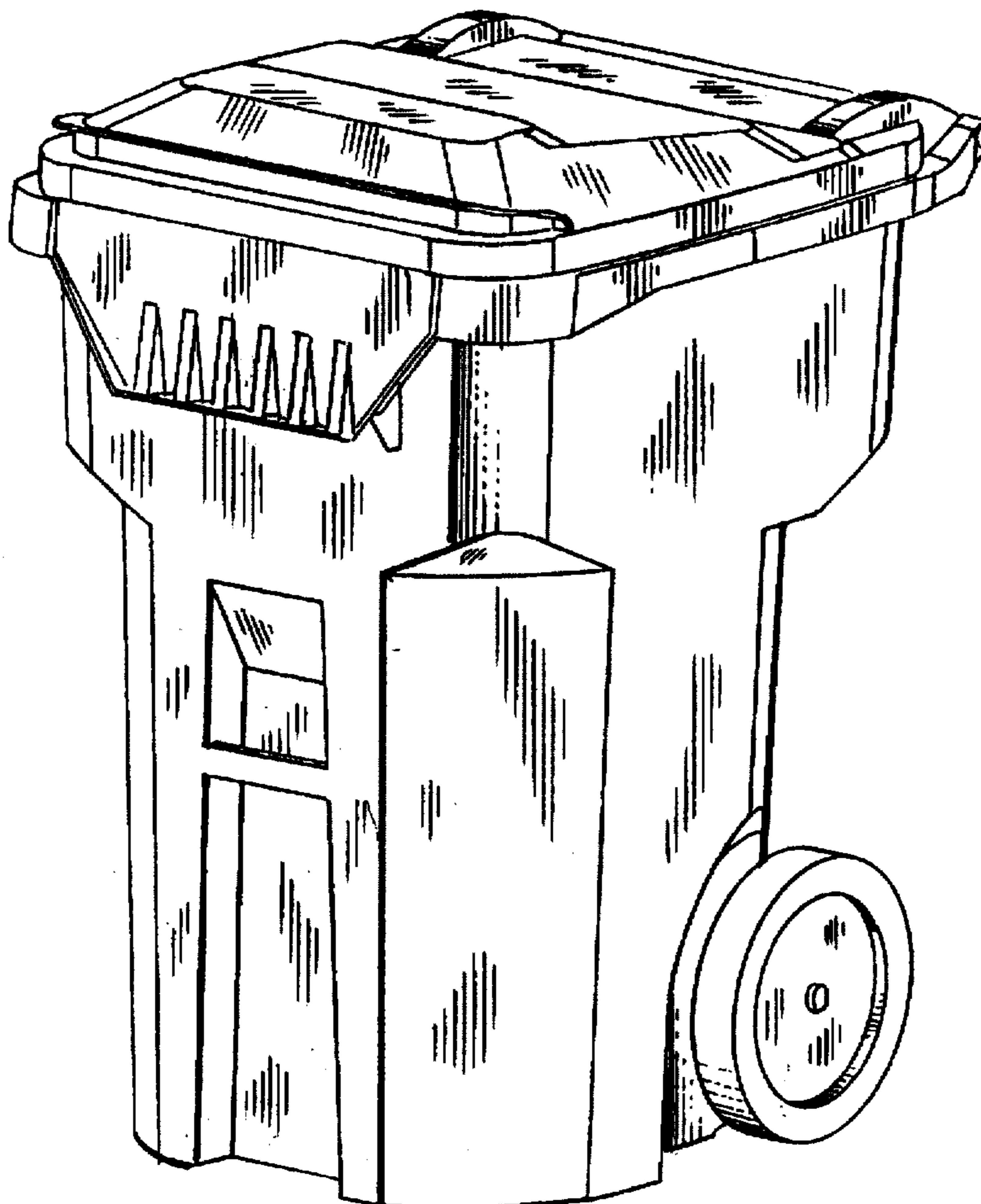
FIG. 7 is a bottom view of the roll out trash cart.

[56] **References Cited**

**U.S. PATENT DOCUMENTS**

D. 291,739	9/1987	Orlowski	.....	D34/5
D. 292,638	11/1987	Carville	.....	D34/5

**1 Claim, 2 Drawing Sheets**



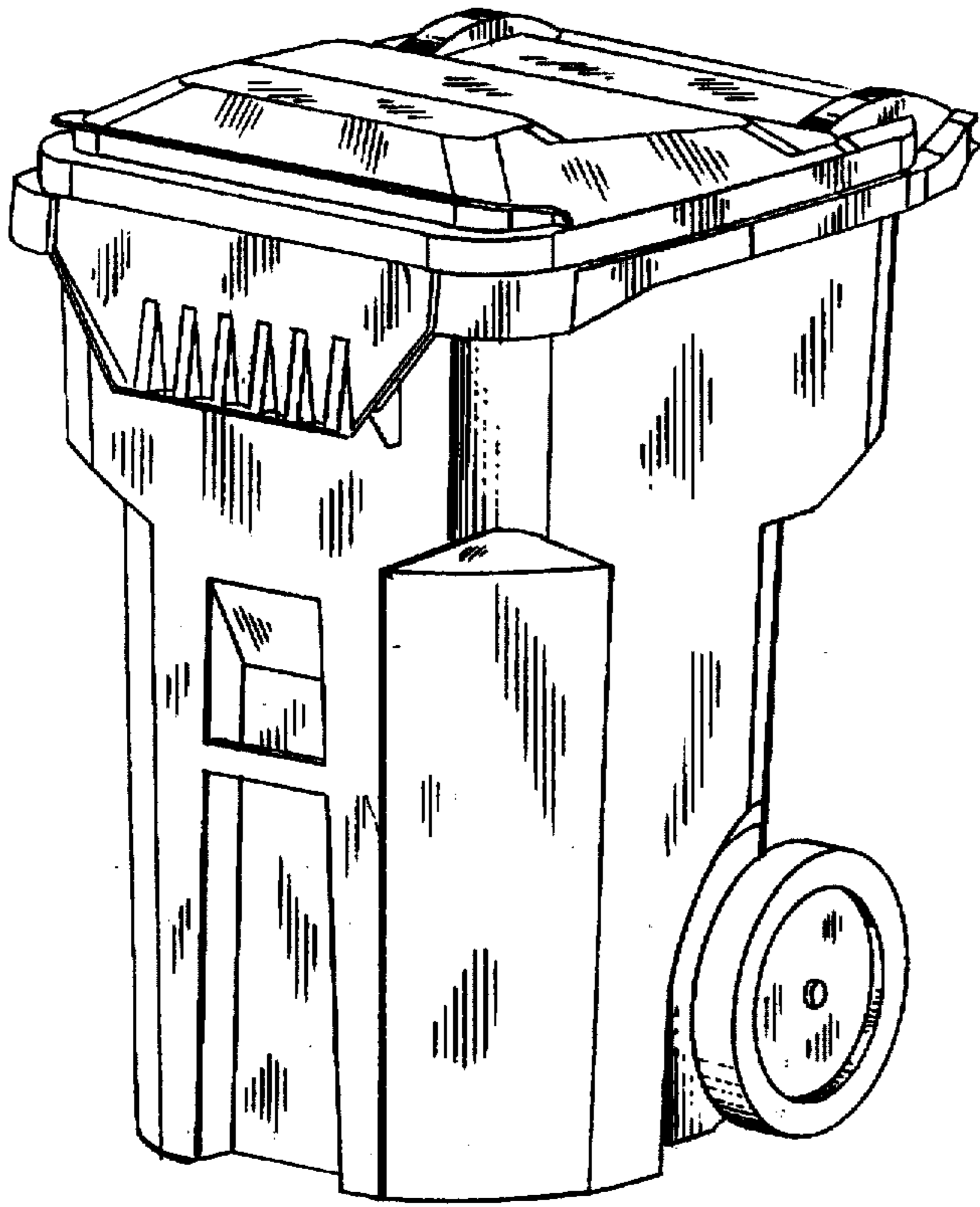


FIG. 1

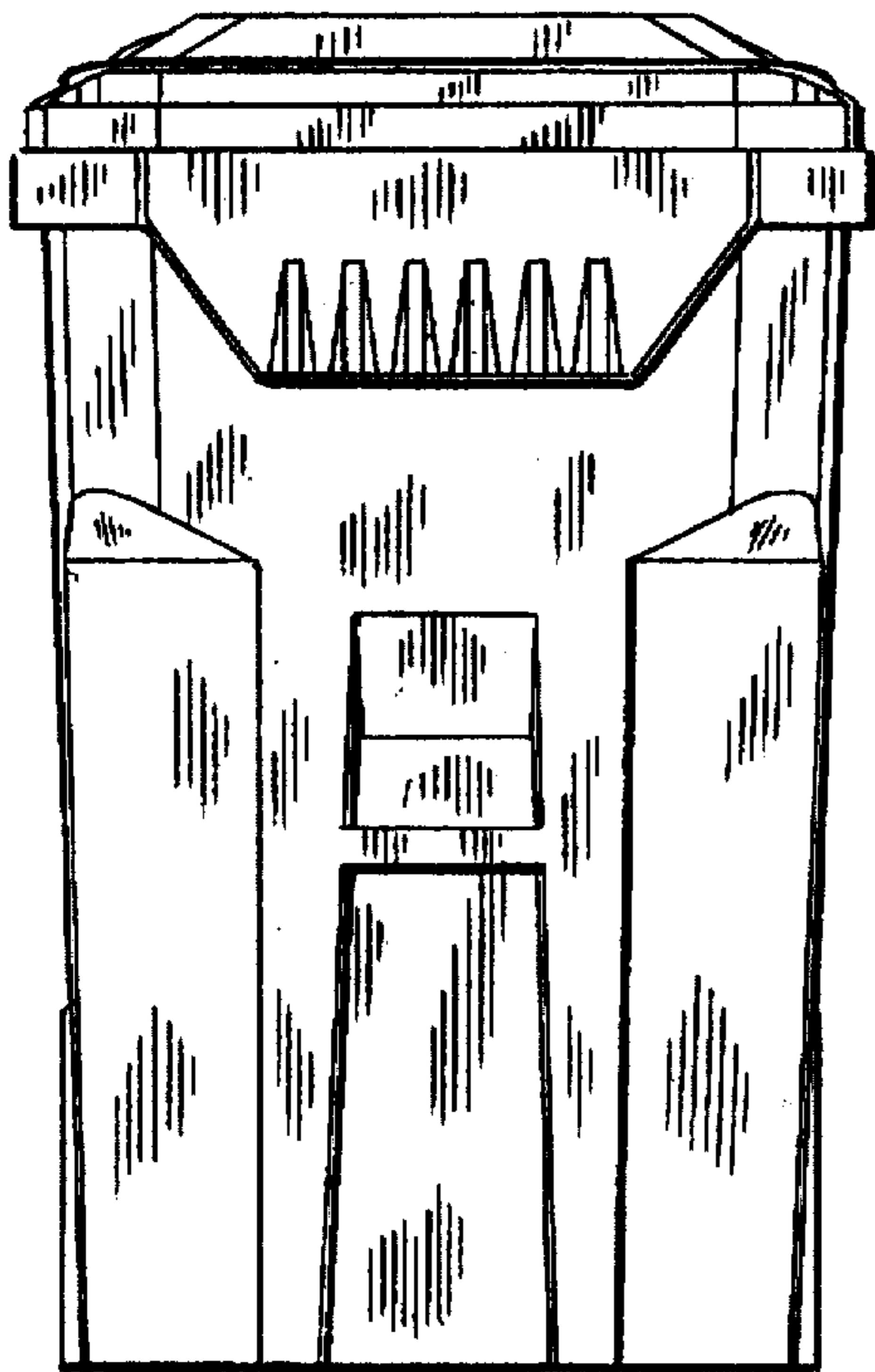


FIG. 2

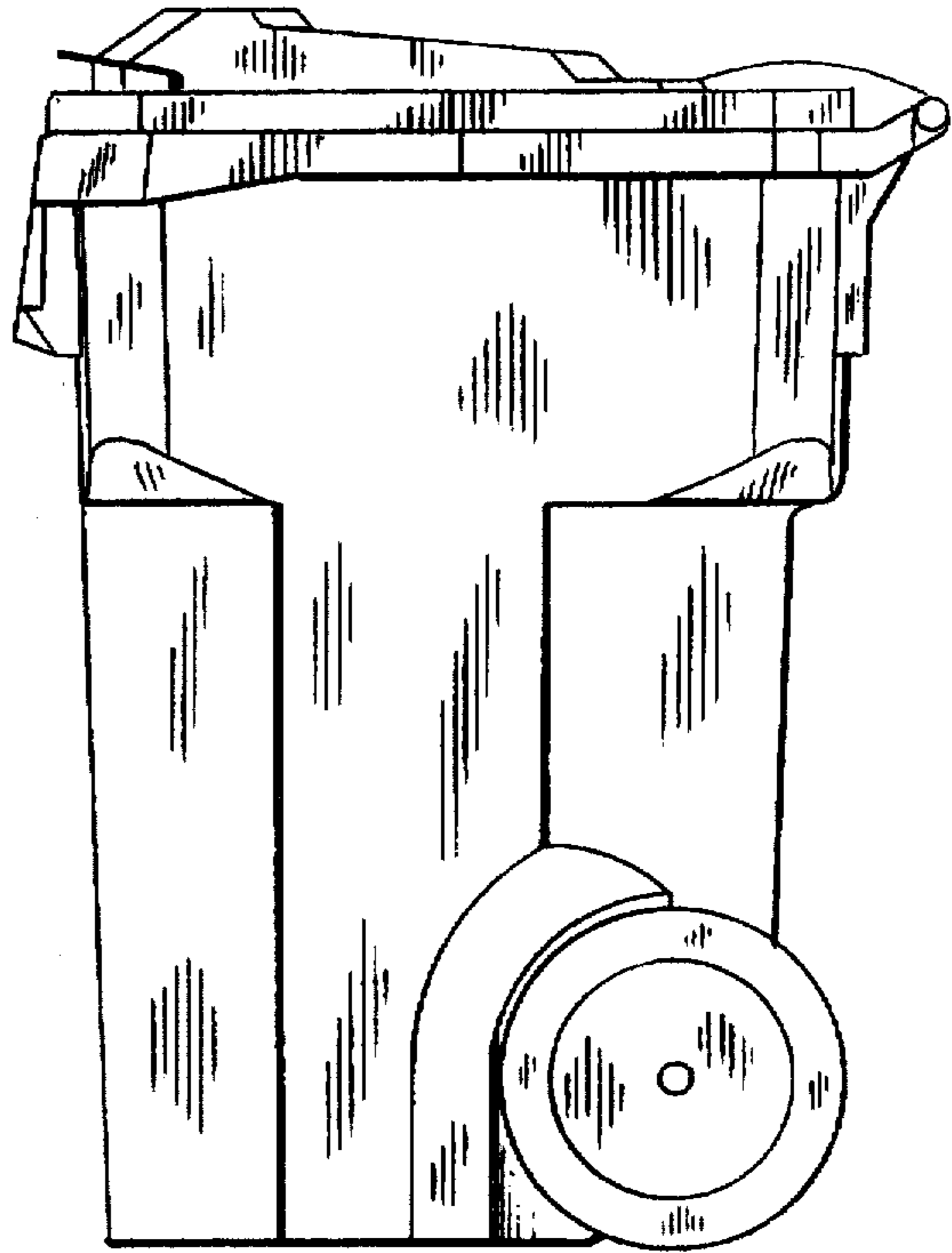


FIG. 3

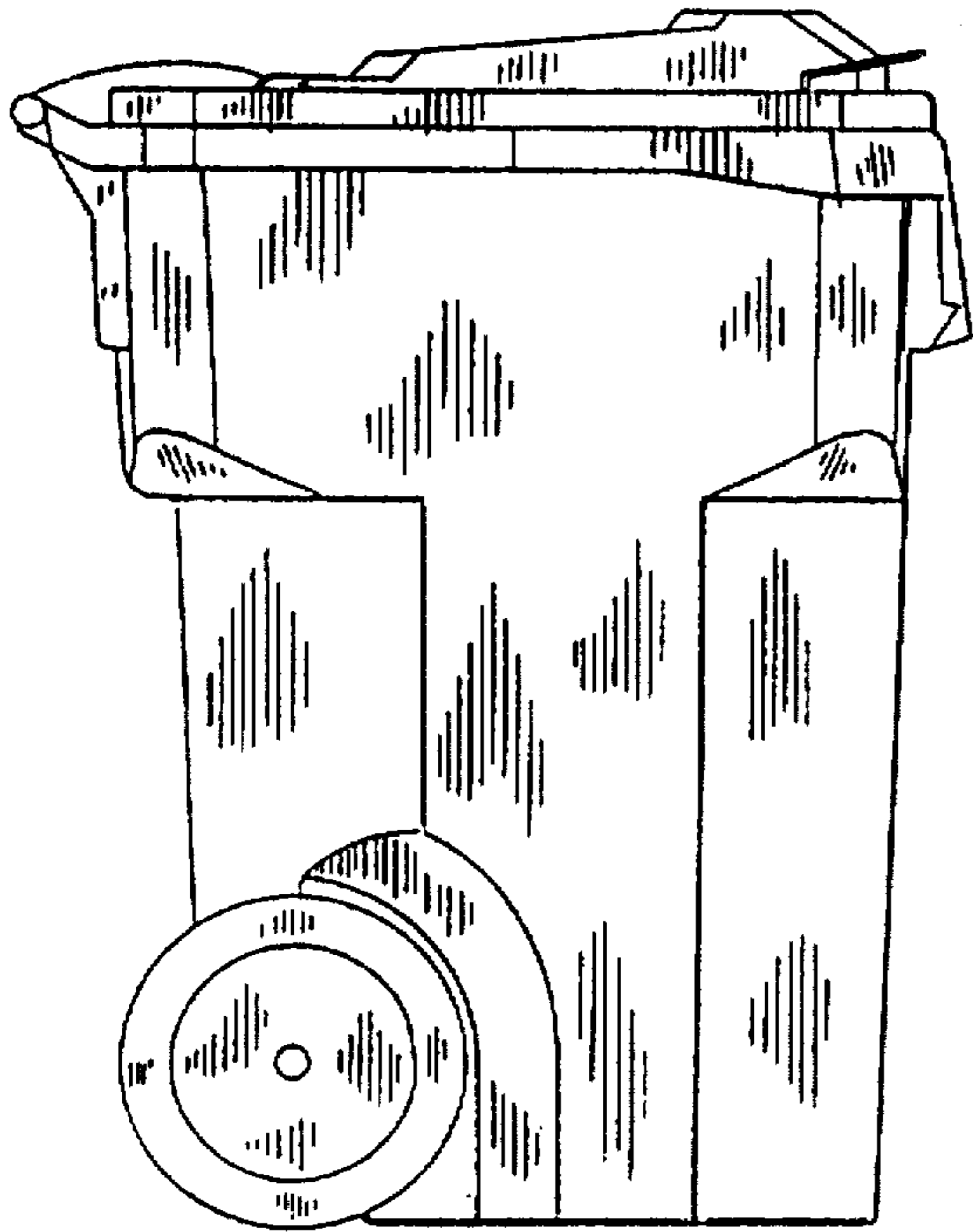


FIG. 4

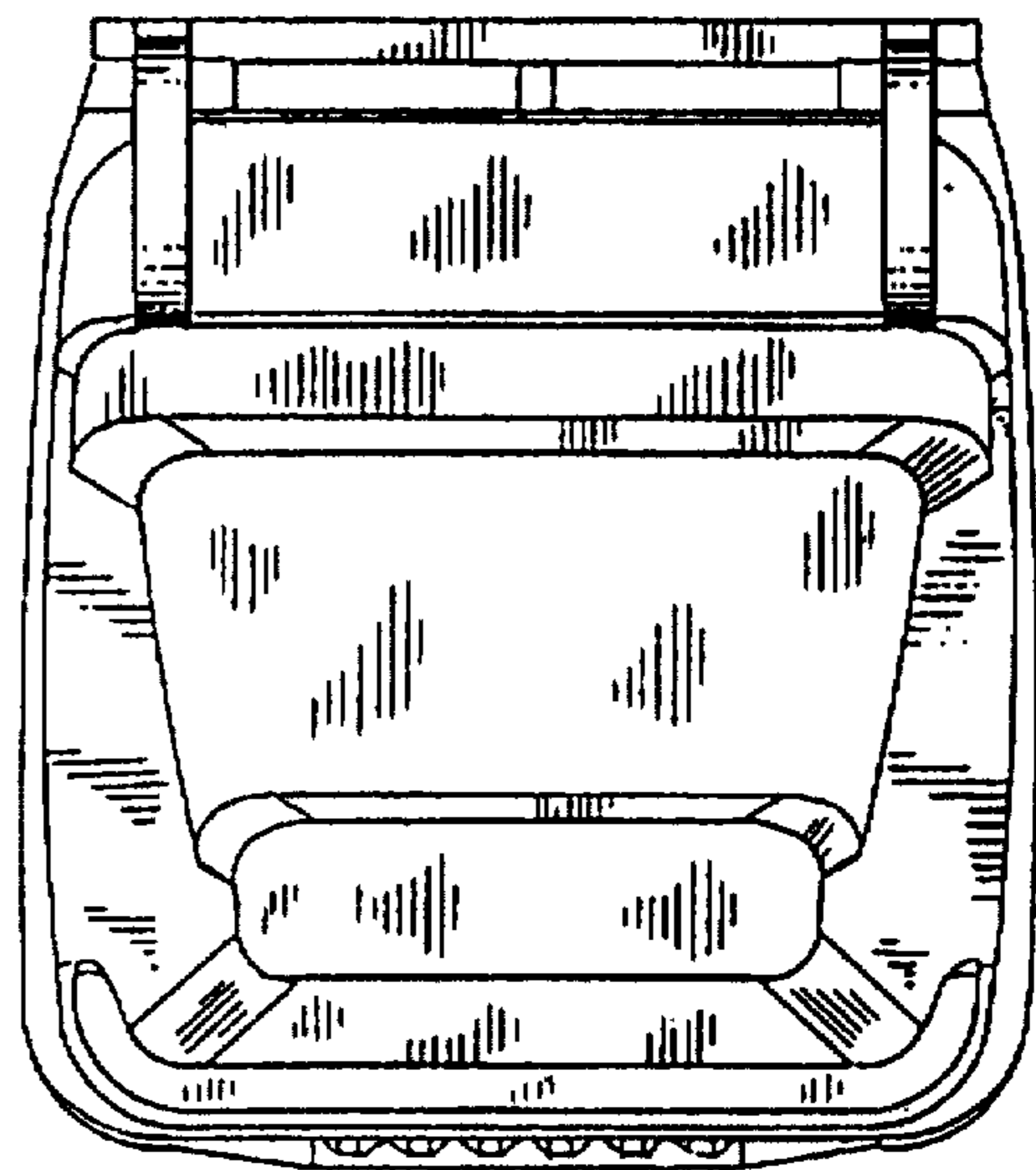


FIG. 6

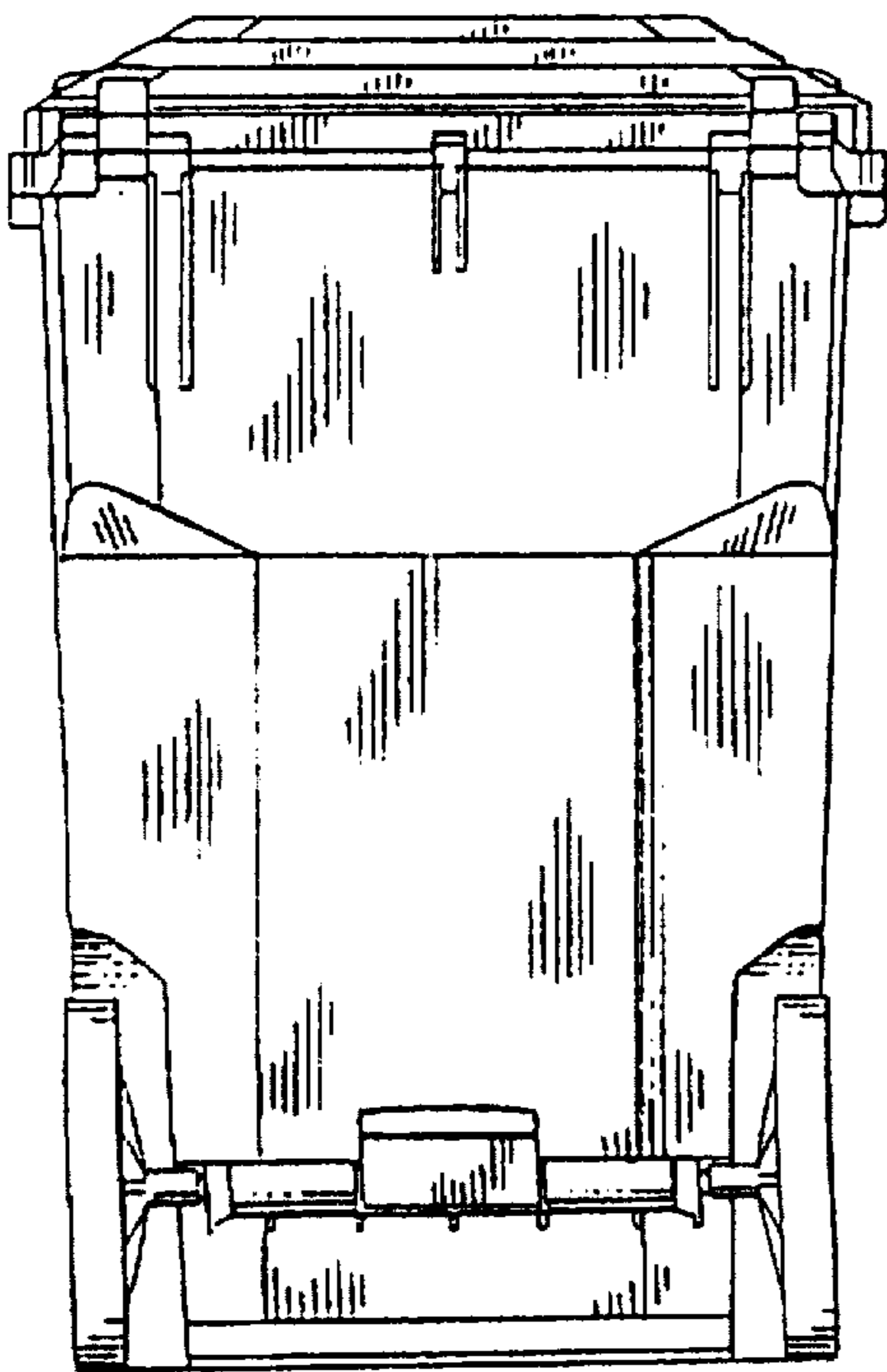


FIG. 5

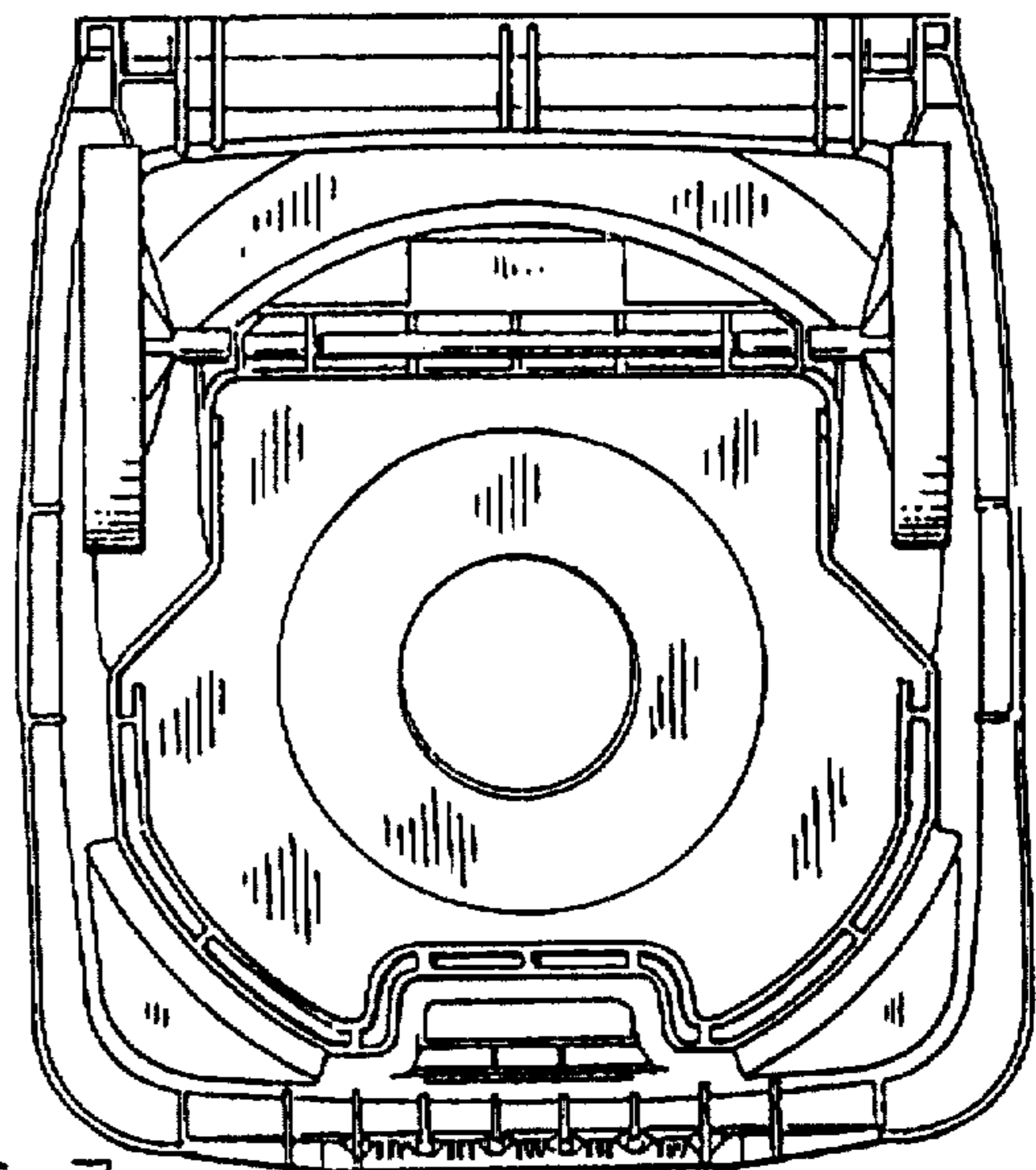


FIG. 7