



US00D388576S

# United States Patent [19]

Gudefin et al.

[11] Patent Number: Des. 388,576

[45] Date of Patent: \*\*Dec. 30, 1997

[54] COMBINED IRON AND STEAM GENERATOR

[75] Inventors: Jacques Gudefin, Saint-Priest; Serge Brun, Lyons, both of France

[73] Assignee: Calor S.A., Lyon Cedex, France

[\*\*] Term: 14 Years

[21] Appl. No.: 48,595

[22] Filed: Jan. 4, 1996

[30] Foreign Application Priority Data

Aug. 4, 1995 [FR] France ..... 954391

[51] LOC (6) Cl. .... 07-05

[52] U.S. Cl. .... D32/73; D32/70

[58] Field of Search ..... D32/68, 70, 71, D32/73; 38/15, 77.1, 77.2-77.9, 79, 96, 141, 142; 248/117.1, 117.2-117.7; 219/245, 246, 247

[56] References Cited

U.S. PATENT DOCUMENTS

D. 315,433 3/1991 Chen ..... D32/68

D. 315,434	3/1991	Paulin	.....	D32/68
D. 318,546	7/1991	Giannelli	.....	D32/73
D. 318,939	8/1991	Giannelli	.....	D32/73
2,022,986	12/1935	Spahr	.	
5,074,066	12/1991	Sakano et al.	.....	38/96 X

Primary Examiner—Susan J. Lucas  
Assistant Examiner—Jennifer A. Register  
Attorney, Agent, or Firm—Greenblum & Bernstein, P.L.C.

[57] CLAIM

The ornamental design for a combined iron and steam generator, as shown and described.

DESCRIPTION

FIG. 1 is a front elevational view of the combined iron and steam generator according to the present creation;  
FIG. 2 is a rear elevational view thereof;  
FIG. 3 is a left side elevational view of the combined iron and steam generator as represented in FIG. 1;  
FIG. 4 is a right side elevational view of the combined iron and steam generator as represented in FIG. 1;  
FIG. 5 is a top plan view thereof.

1 Claim, 5 Drawing Sheets

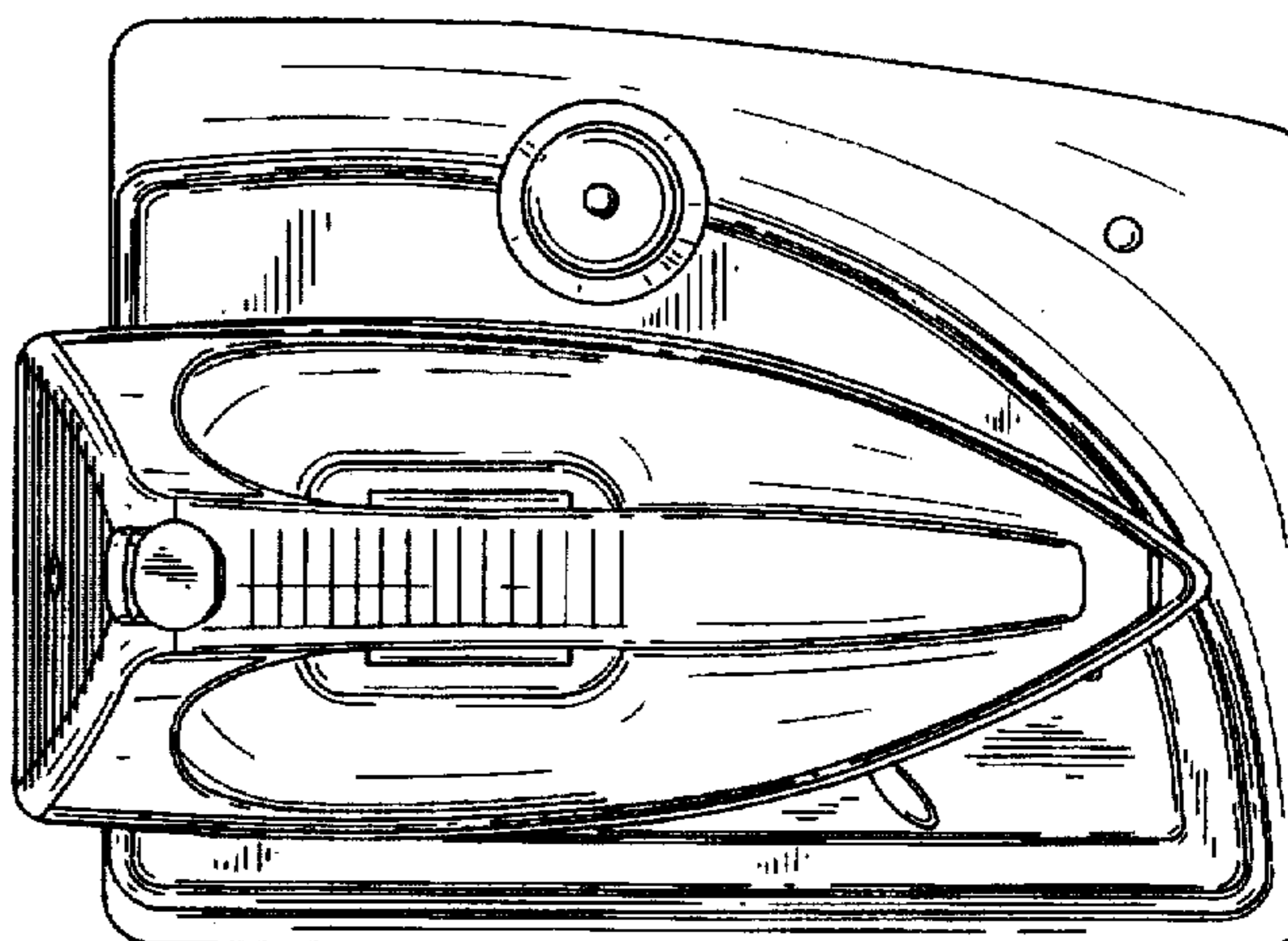
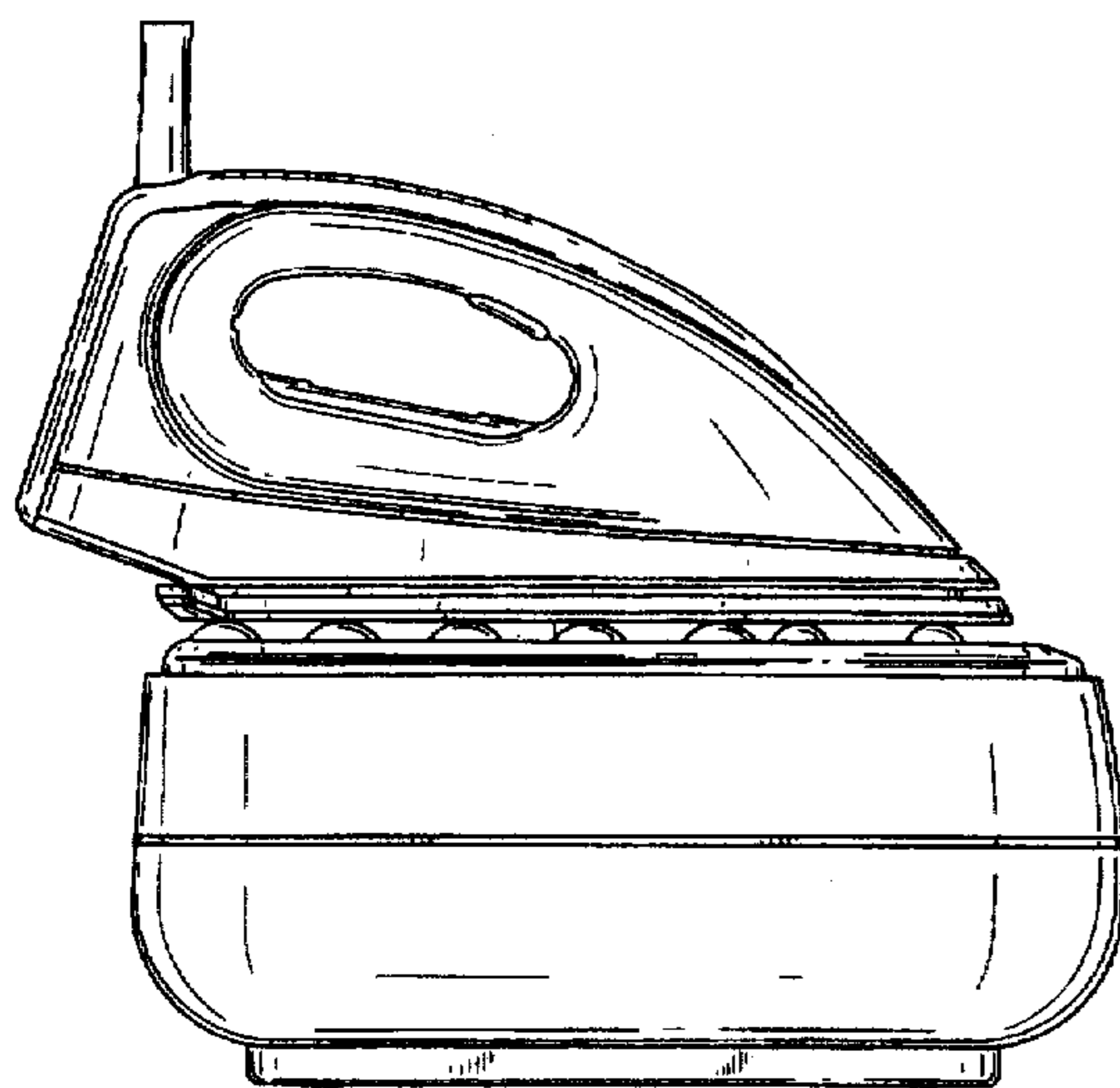


FIG. 1

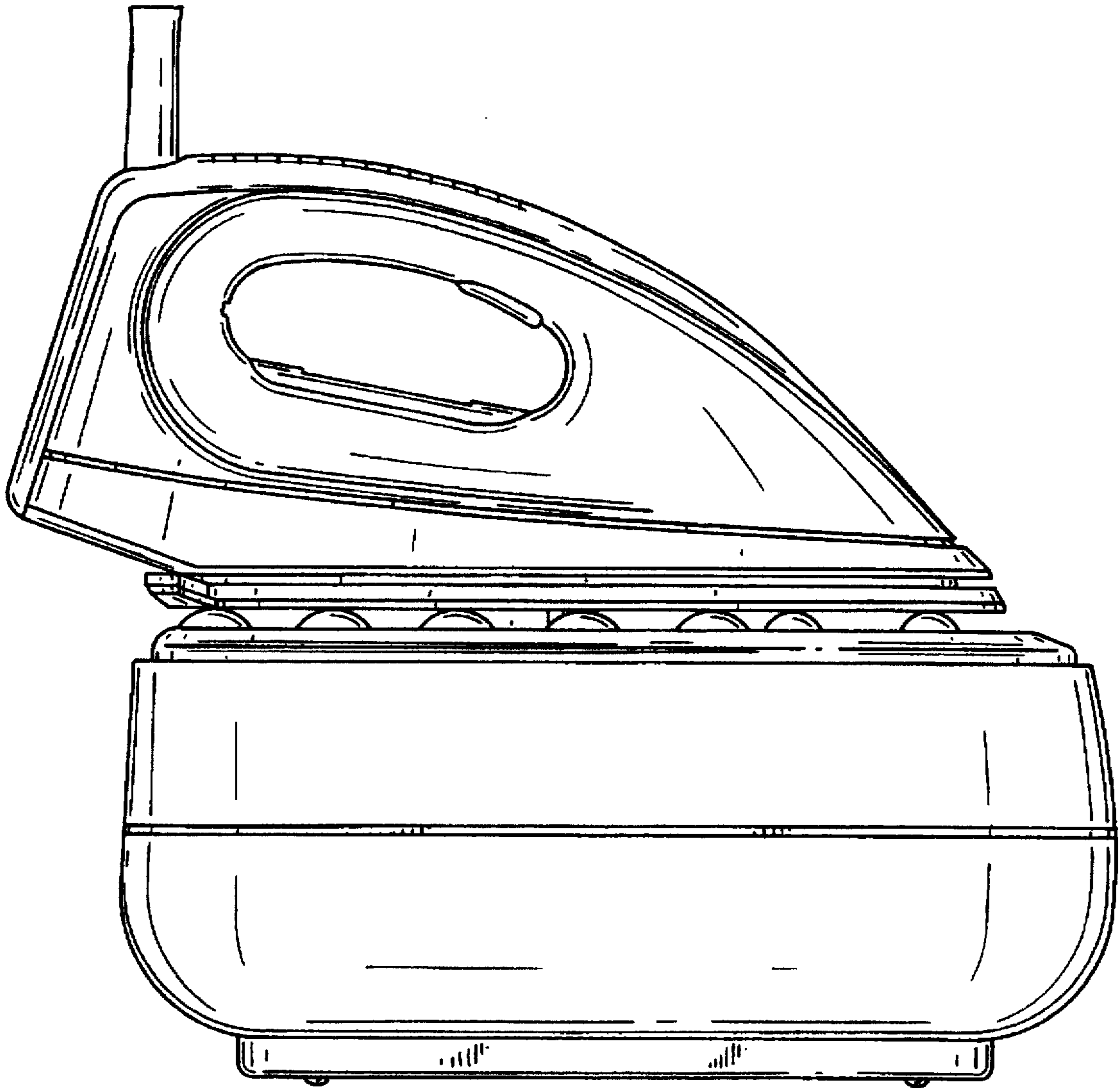


FIG. 2

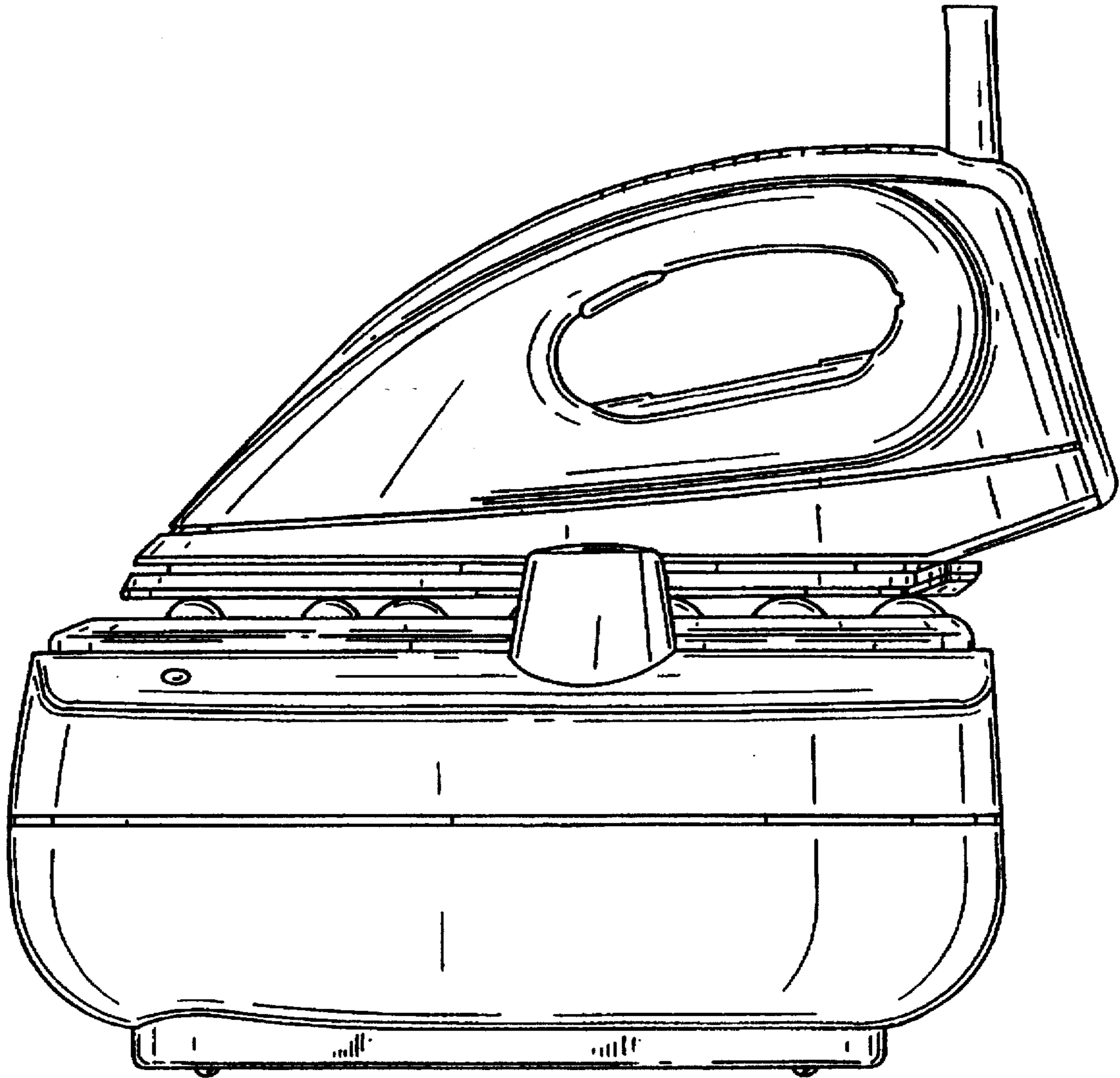


FIG. 3

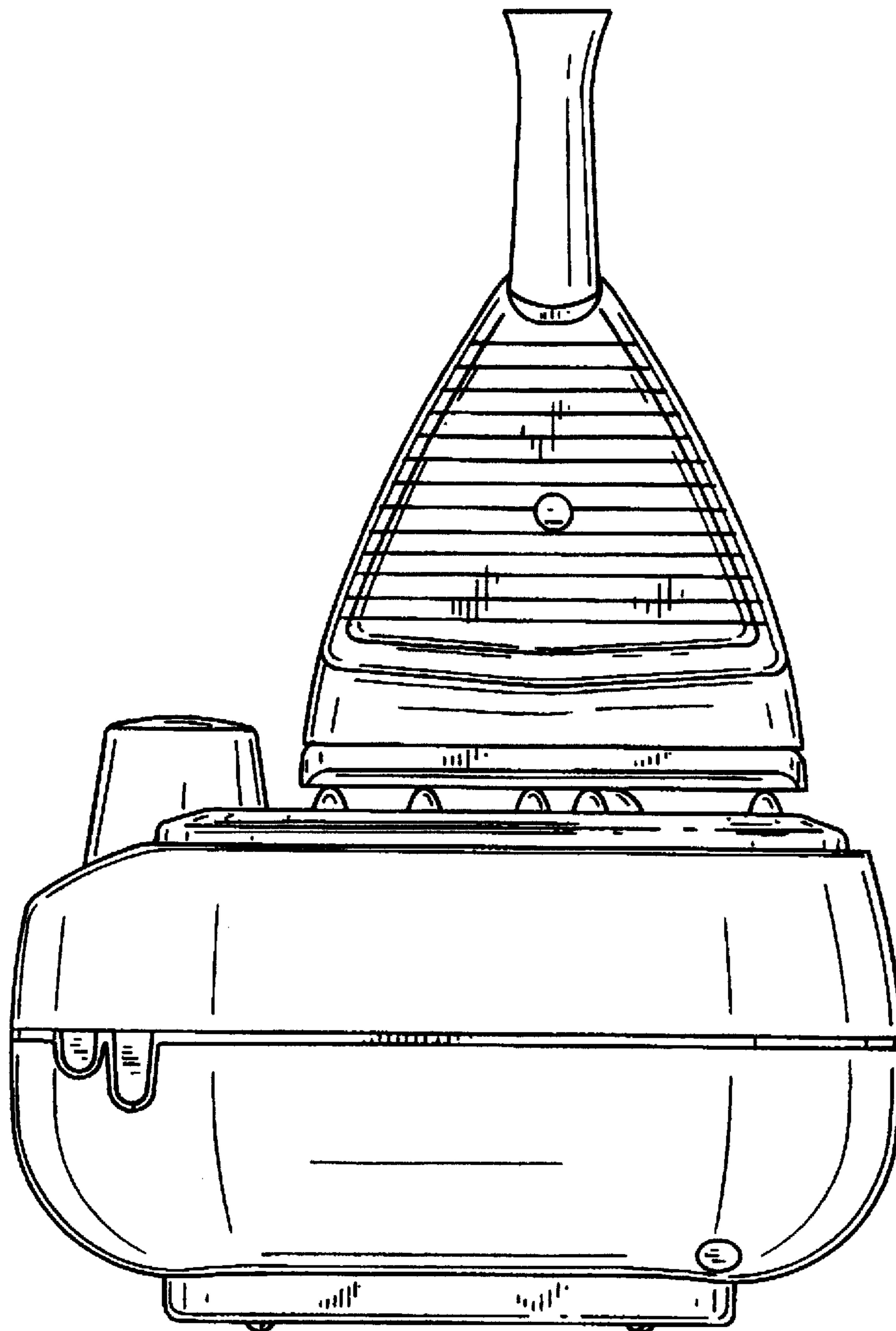


FIG. 4

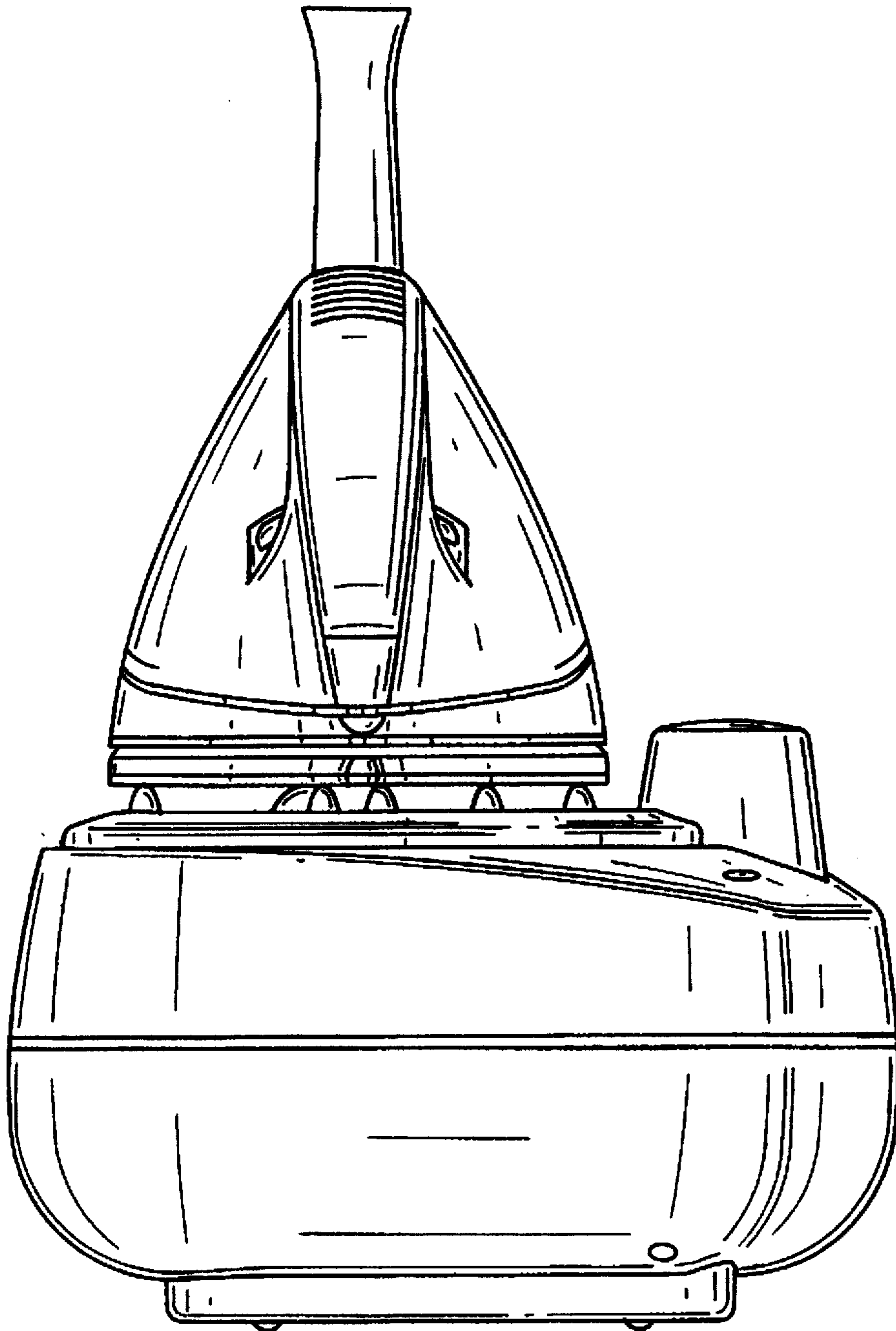


FIG. 5

