



US00D388568S

United States Patent [19]

Leonard et al.

[11] Patent Number: **Des. 388,568**

[45] Date of Patent: ****Dec. 30, 1997**

- [54] SQUEEGEE
- [75] Inventors: **Brian Leonard, Durham; Kathryn King McEntee, Washington, both of N.C.**
- [73] Assignee: **Rubbermaid Incorporated, Wooster, Ohio**
- [**] Term: **14 Years**
- [21] Appl. No.: **58,111**
- [22] Filed: **Aug. 8, 1996**
- [51] LOC (6) Cl. **08-05**
- [52] U.S. Cl. **D32/41**
- [58] Field of Search D32/40, 41, 46, D32/49, 52, 48; 15/121, 232, 236.01, 236.02, 245, 245.1; D4/116, 118

4,152,807	5/1979	Smahlik	15/246
4,611,363	9/1986	Samuelsson	15/245
4,858,267	8/1989	Unger	15/220
5,074,027	12/1991	Alviar et al.	29/525
5,101,530	4/1992	Hansen et al.	15/245

OTHER PUBLICATIONS

Pp. 50, 51 and 52, Squeegees, Empire Brushes, Inc., U.S. Highway 13 North, P. O. Box 1606, Greenville, North Carolina 27835. Publication date May, 1993.

Primary Examiner—Susan J. Lucas
Assistant Examiner—Cynthia E. Ramirez
Attorney, Agent, or Firm—Richard B. O'Planick; Lisa B. Riedesel

[57] CLAIM

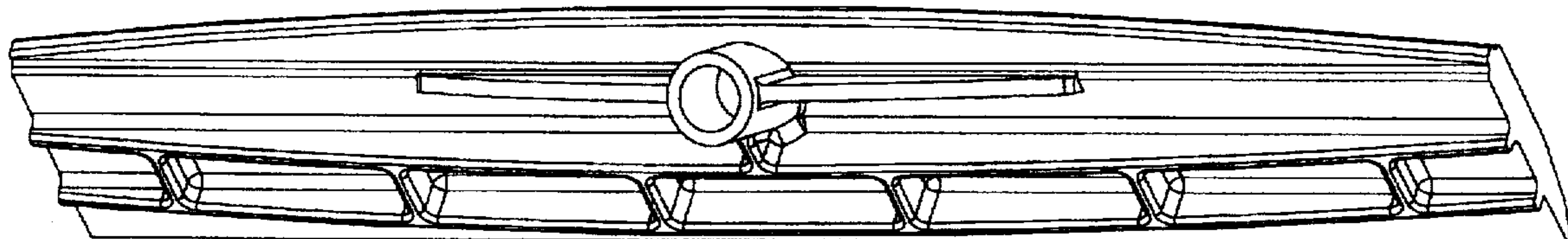
The ornamental design for a squeegee, as shown and described.

DESCRIPTION

FIG. 1 is a top right front perspective view of a squeegee showing our new design;
FIG. 2 is a rear elevational view thereof;
FIG. 3 is a bottom plan view thereof;
FIG. 4 is a top plan view thereof;
FIG. 5 is a front elevational view thereof; and,
FIG. 6 is a left side elevational view thereof in enlarged scale; the right side elevational being a mirror image.

1 Claim, 4 Drawing Sheets

- [56] **References Cited**
- U.S. PATENT DOCUMENTS**
- D. 274,856 7/1984 Smith et al. D32/50
- D. 285,736 9/1986 Seely
- D. 331,822 12/1992 Bassford et al. D32/40
- D. 332,331 1/1993 Hansen et al. D32/41
- 2,157,314 5/1939 Anderson
- 2,586,472 2/1952 McKown
- 2,980,457 4/1961 Page
- 3,089,173 5/1963 Hunt



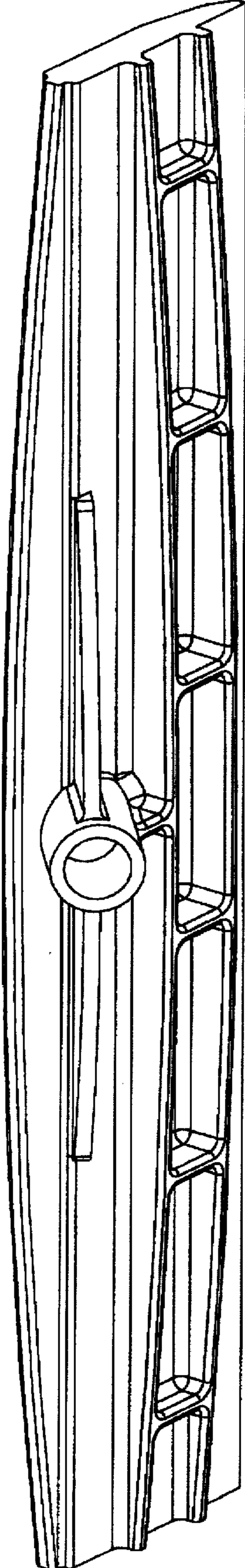


FIG. 1

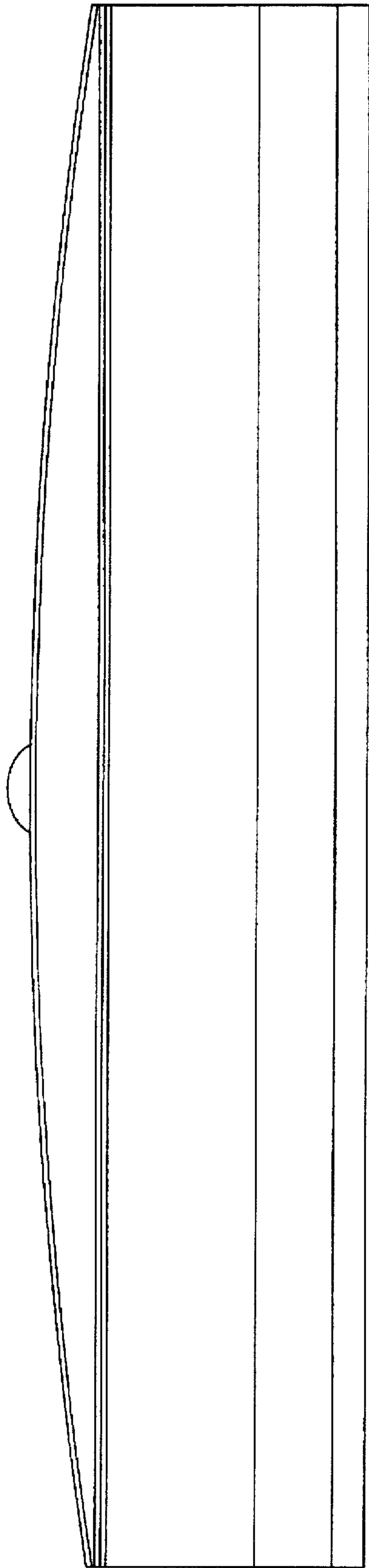


FIG. 2

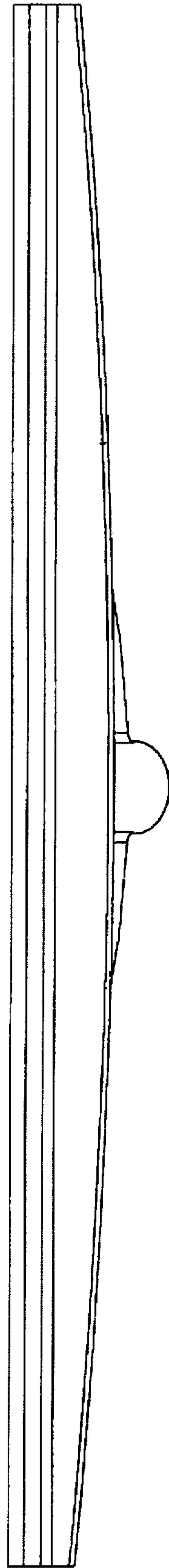


FIG. 3

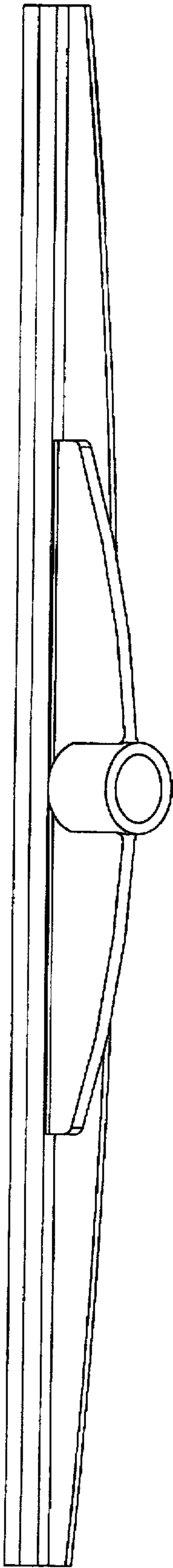


FIG. 4

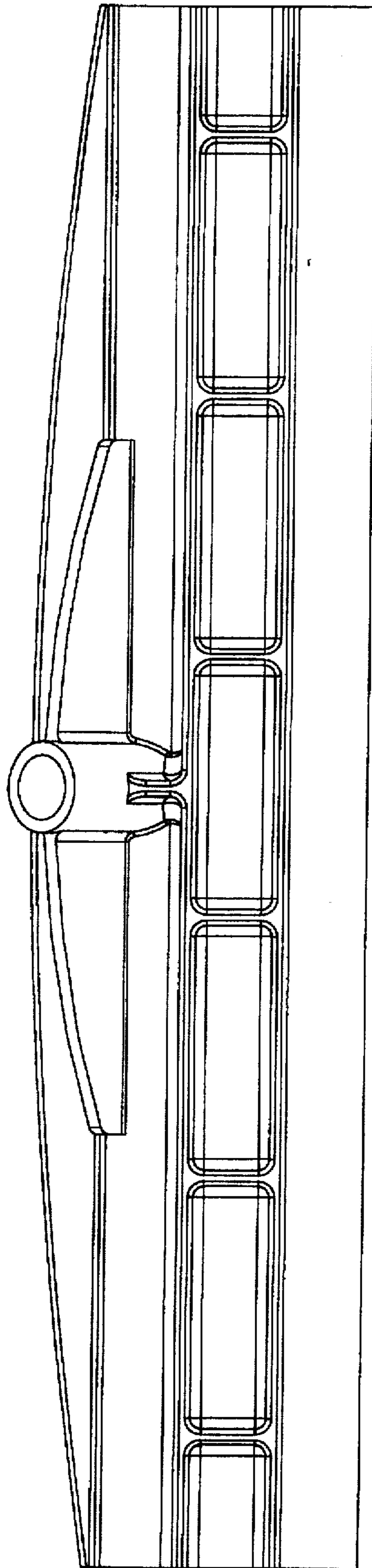


FIG. 5

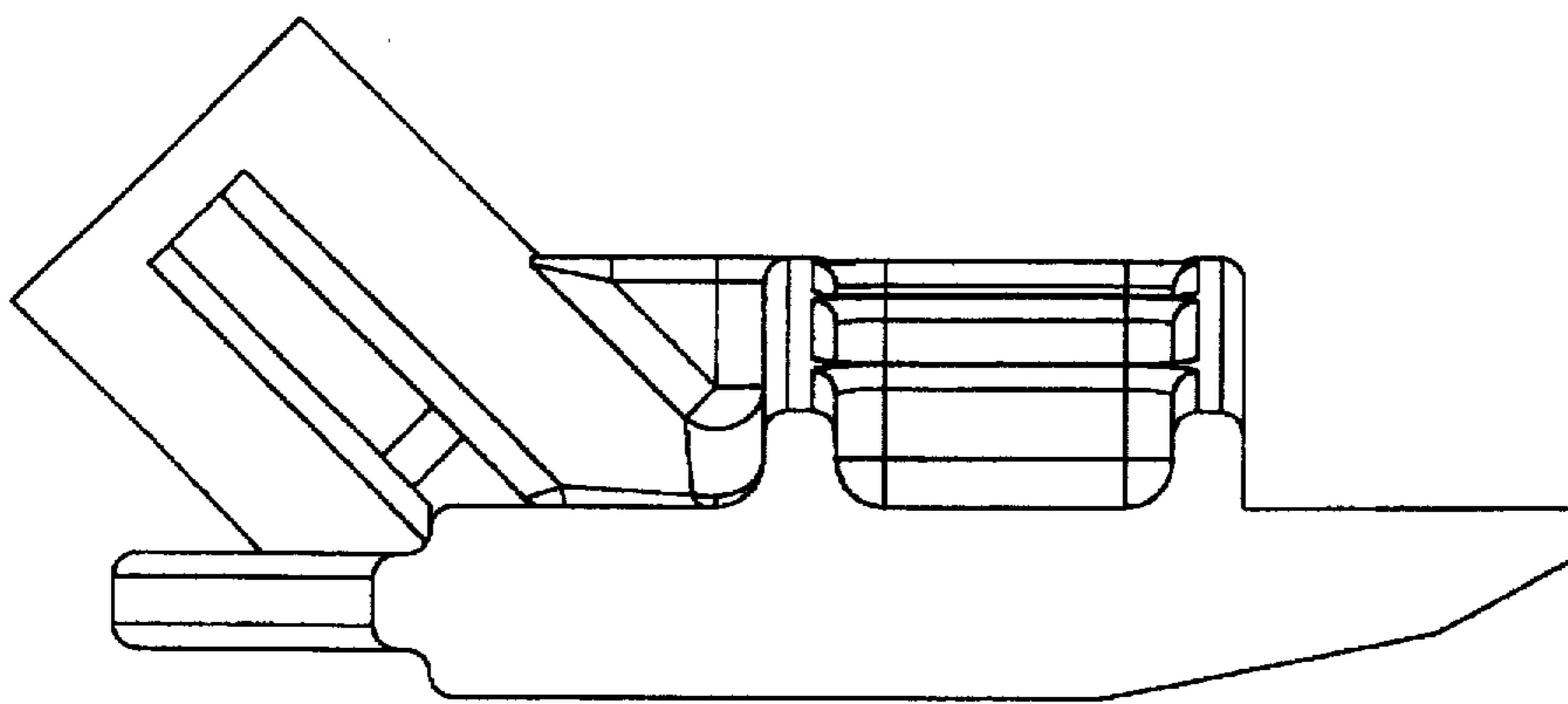


FIG. 6