



US00D388564S

# United States Patent [19]

Lussi

[11] Patent Number: Des. 388,564

[45] Date of Patent: \*\*Dec. 30, 1997

[54] LIQUID REMOVAL APPARATUS

[76] Inventor: Craig Lussi, 8742 Preston Pl., Chevy Chase, Md. 20815

[\*\*] Term: 14 Years

[21] Appl. No.: 57,208

[22] Filed: Jul. 19, 1996

[51] LOC (6) Cl. .... 15-05

[52] U.S. Cl. .... D32/21

[58] Field of Search ..... D32/21, 23; 15/320, 15/322, 353, 31-34

[56] References Cited

U.S. PATENT DOCUMENTS

D. 231,894	6/1974	Knight	.....	D32/21
D. 304,251	10/1989	Purkapile	.....	D32/21
D. 324,280	2/1992	Goodrich	.....	D32/21
5,604,953	2/1997	Castwall et al.	.....	15/323
5,613,272	3/1997	Huffman	.....	15/322

Primary Examiner—Ruth McInroy

Attorney, Agent, or Firm—Dennison, Meserole, Pollack & Scheiner

[57] CLAIM

The ornamental design for a liquid removal apparatus, as shown and described.

DESCRIPTION

FIG. 1 is a top, front and side perspective view of a liquid removal apparatus showing my new design;

FIG. 2 is a top plan view thereof;

FIG. 3 is a right side elevation view thereof;

FIG. 4 is a bottom plan view thereof;

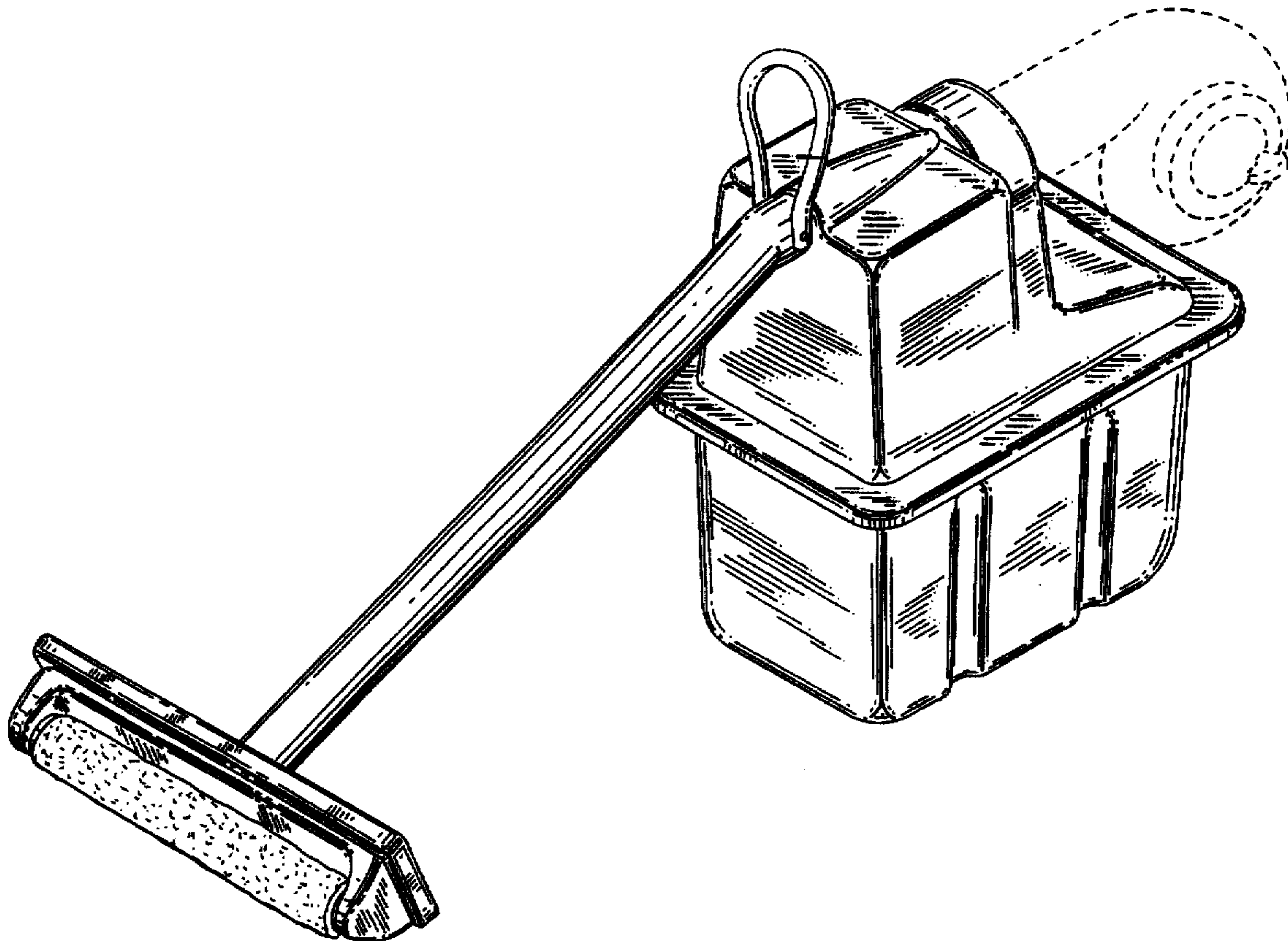
FIG. 5 is a left side elevation view thereof;

FIG. 6 is a front elevation view thereof; and,

FIG. 7 is a rear elevation view thereof.

The detail shown in broken lines in FIG. 1 is for illustrative purposes only and forms no part of the claimed design.

1 Claim, 4 Drawing Sheets



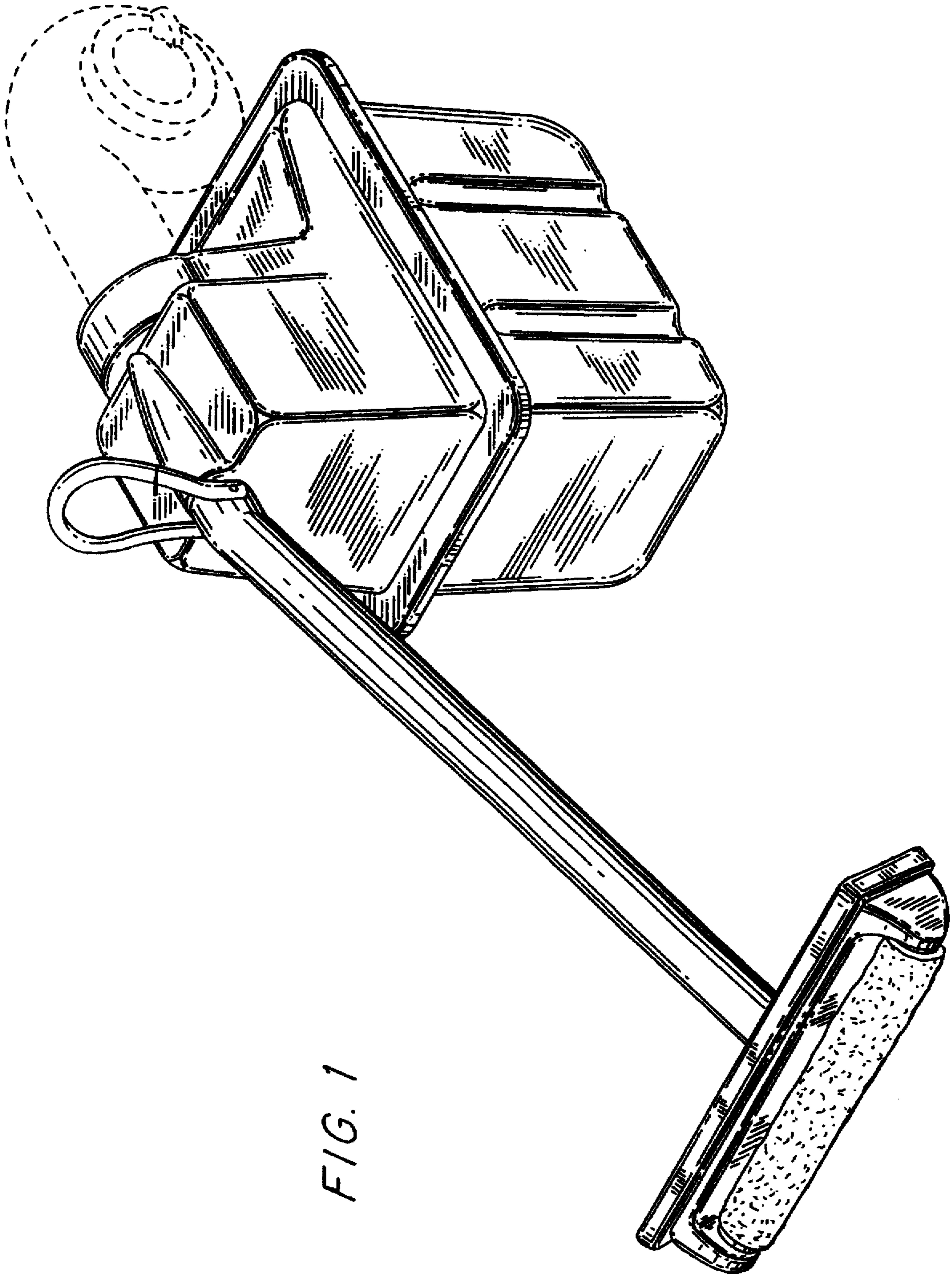


FIG. 1

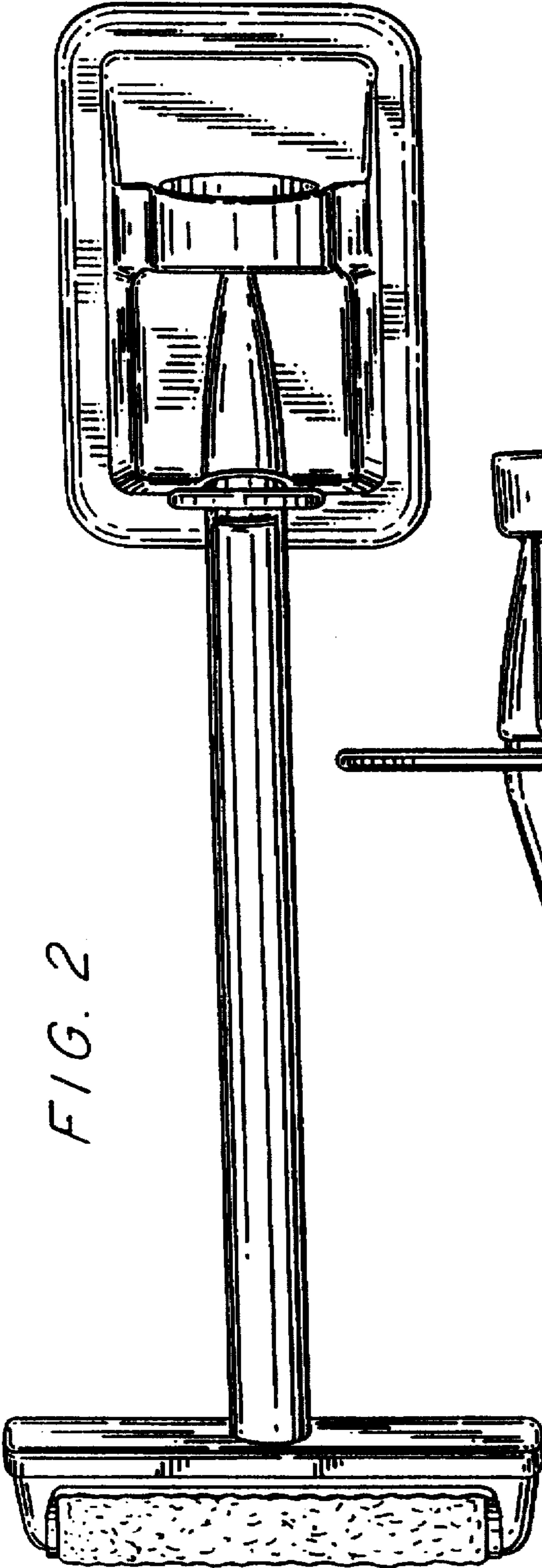


FIG. 2

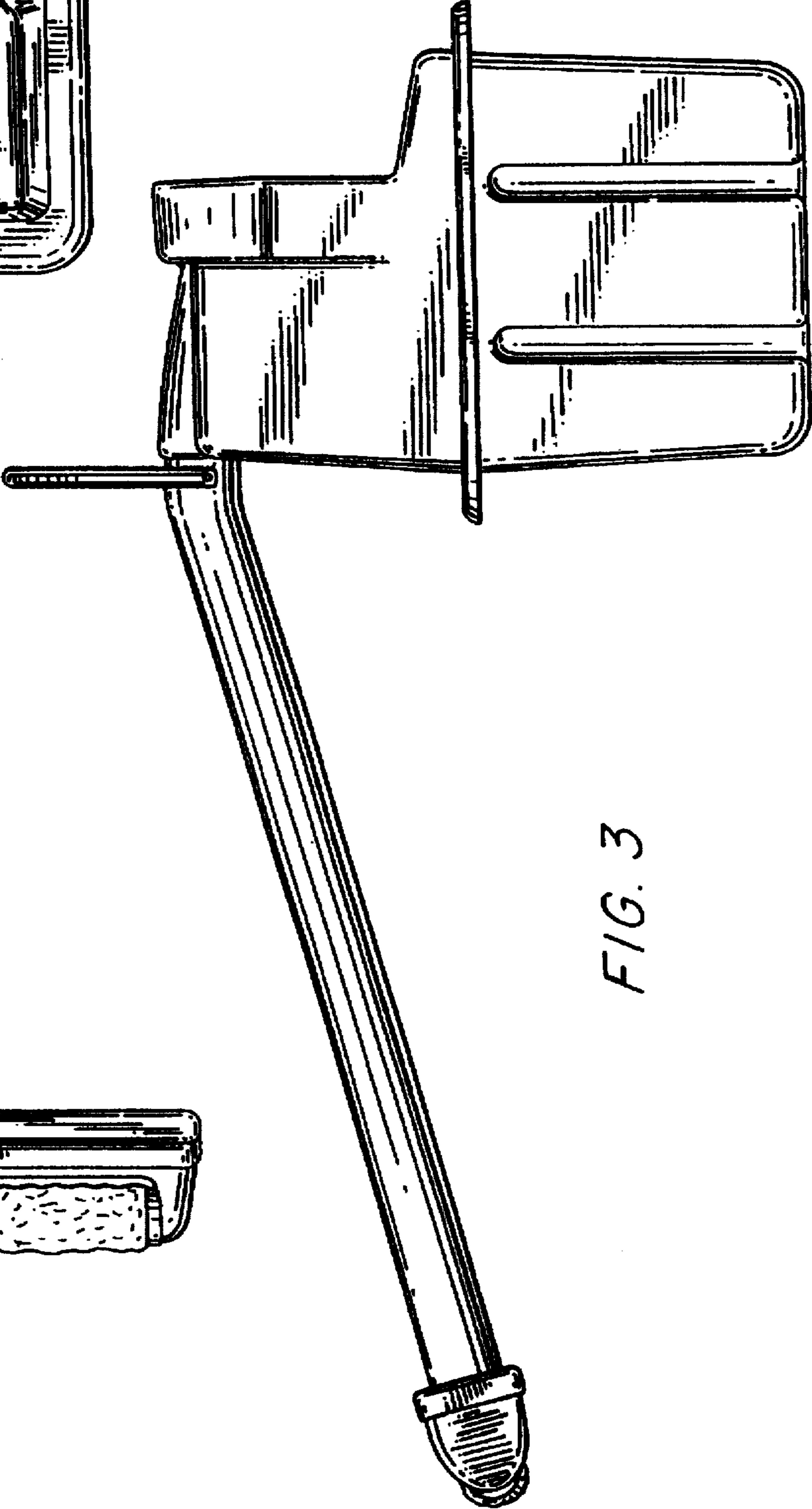


FIG. 3

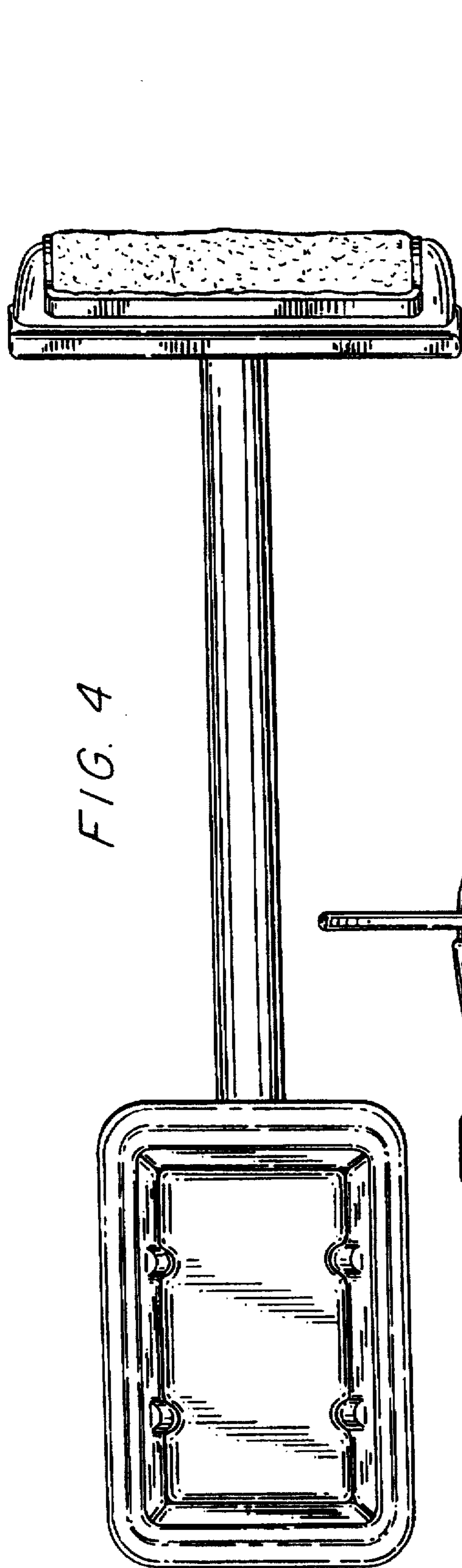


FIG. 4

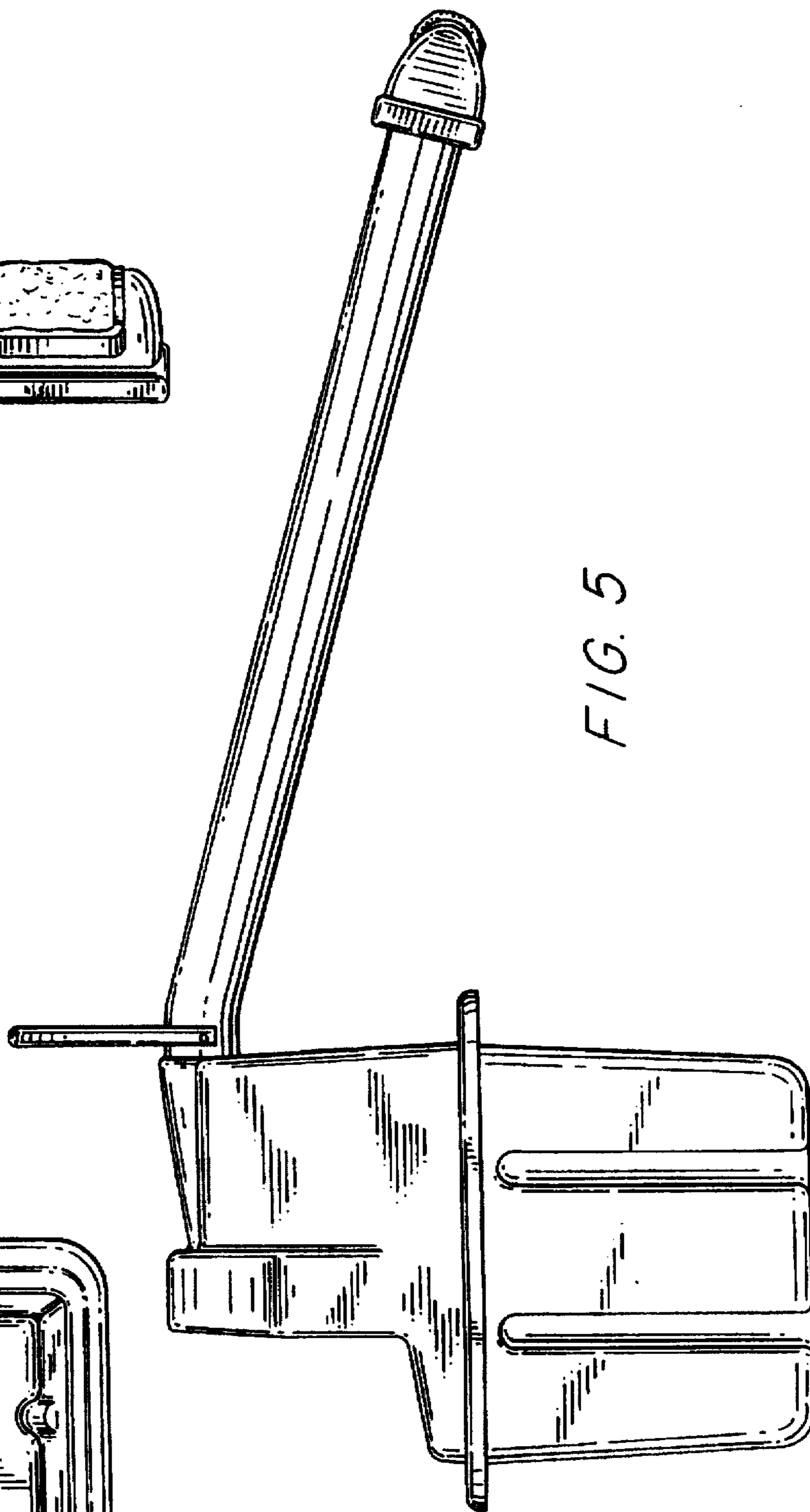


FIG. 5

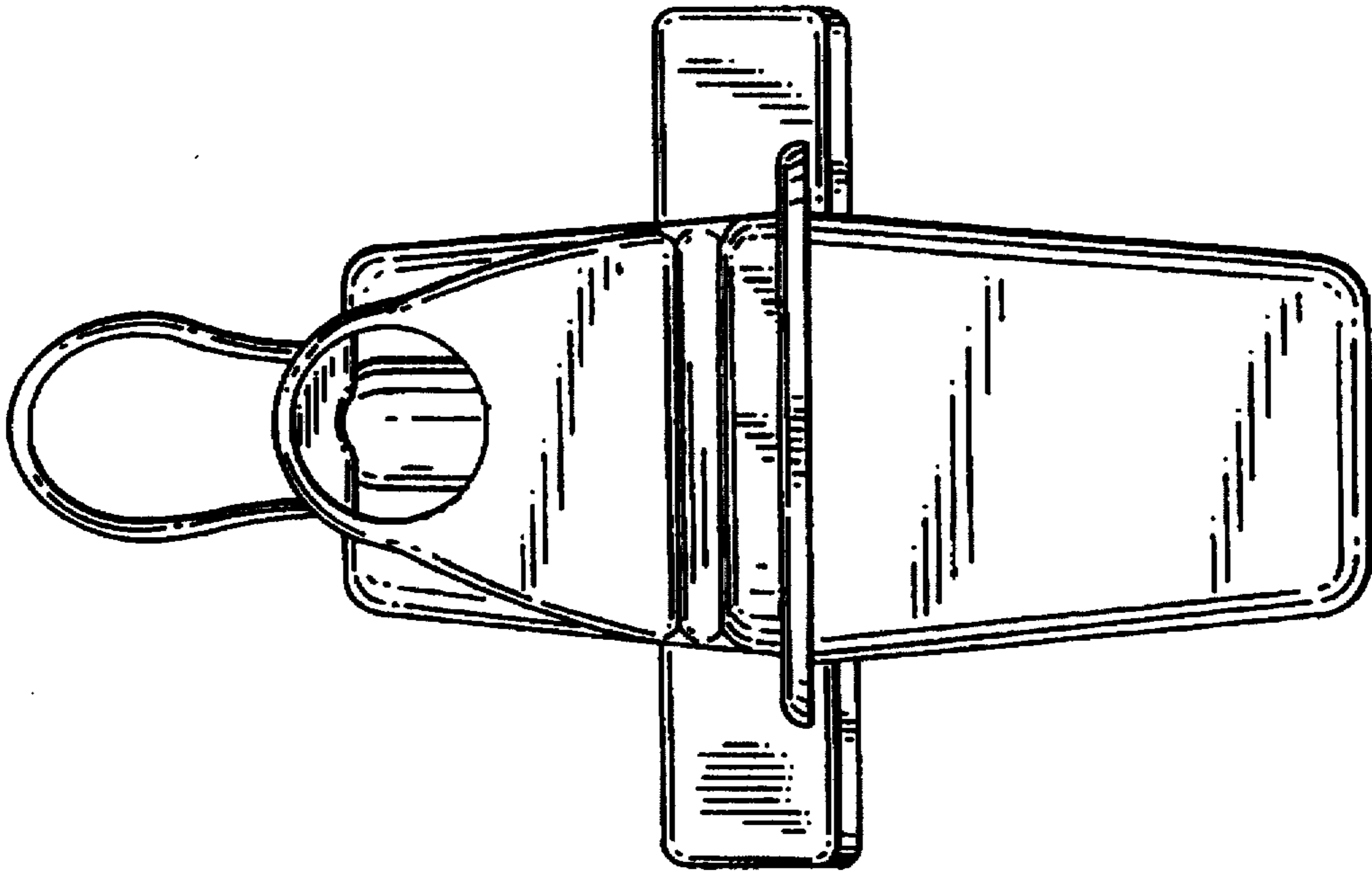


FIG. 7

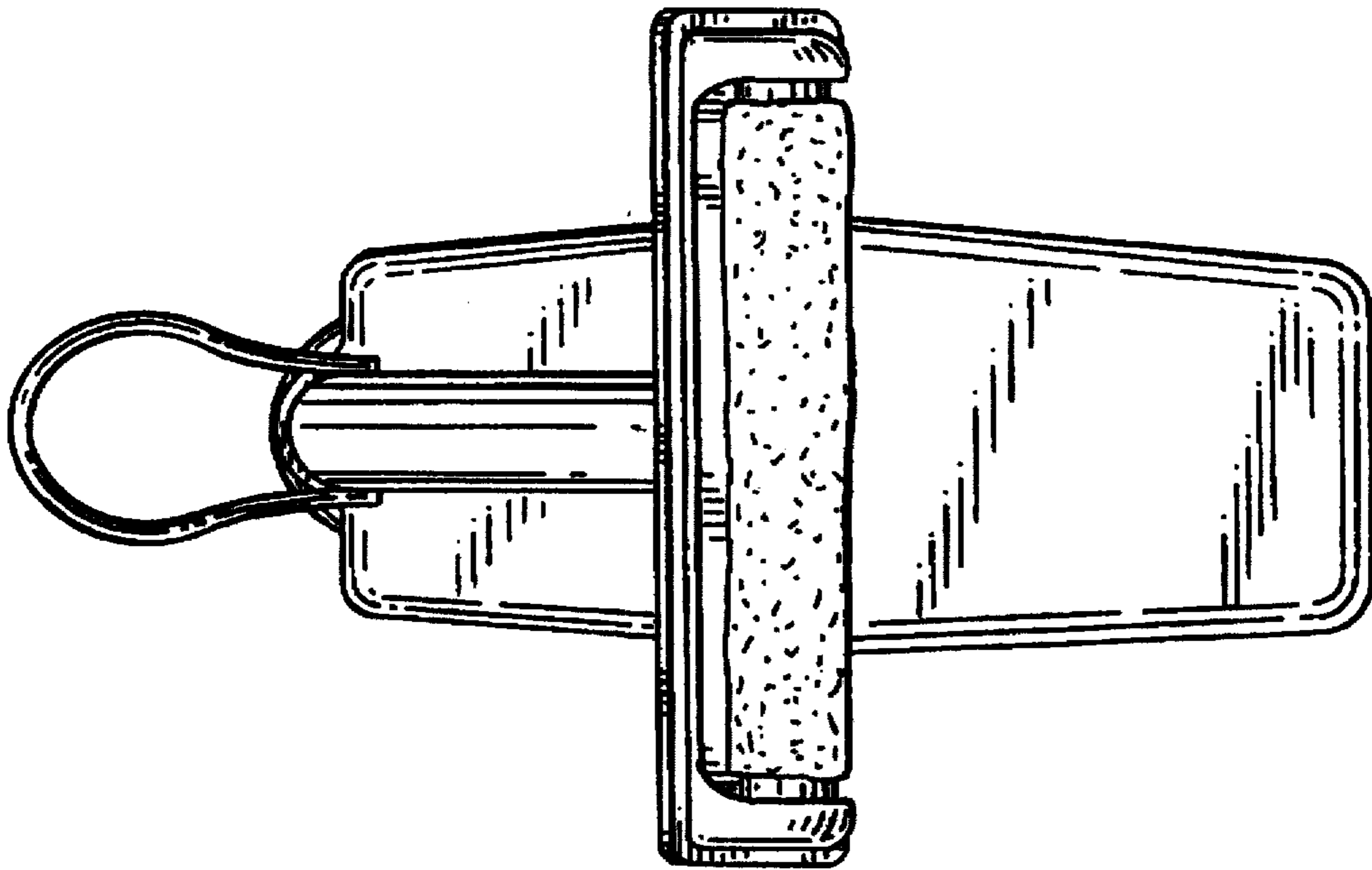


FIG. 6