



US00D388549S

# United States Patent [19]

[11] Patent Number: **Des. 388,549**

Mouyiaris et al.

[45] Date of Patent: **\*\*Dec. 30, 1997**

[54] **COSMETIC CASE**

660447 4/1987 Switzerland ..... 132/316

[76] Inventors: **Nikos Mouyiaris**, 425 E. 58th St., New York, N.Y. 10022; **Sharon Garment**, 145 Fourth Ave., New York, N.Y. 10003

*Primary Examiner*—Ted Shooman  
*Assistant Examiner*—C. Tuttle  
*Attorney, Agent, or Firm*—Hoffmans & Baron, LLP

[\*\*] Term: **14 Years**

### [57] CLAIM

[21] Appl. No.: **46,664**

The ornamental design for a cosmetic case, as shown and described.

[22] Filed: **Oct. 20, 1995**

### DESCRIPTION

[51] LOC (6) Cl. .... **28-03**

[52] U.S. Cl. .... **D28/82**

[58] Field of Search ..... D28/76-84, 91;  
D9/503, 549, 504, 551, 529, 558; 132/286,  
293, 294, 298-307, 316; 206/235, 581,  
821; 220/DIG. 26

FIG. 1 is a top perspective view of a cosmetic case showing our new design;

FIG. 2 is a top plan view thereof shown on a reduced scale;

FIG. 3 is a side elevation view thereof, the opposite side being a mirror image thereof;

FIG. 4 is a side elevation view seen from the left or right side of FIG. 3 thereof, the opposite side being a mirror image thereof;

FIG. 5 is a bottom plan view thereof; and,

FIG. 6 is an exploded, perspective view thereof shown on an enlarged scale.

The undisclosed underside of the cap forms no part of the claimed design.

The undisclosed portions of the threaded neck and base form no part of the claimed design.

### [56] References Cited

#### U.S. PATENT DOCUMENTS

D. 56,210	8/1920	Vivadou	.....	D9/423 X
D. 110,813	8/1938	Lewis	.....	D9/503
D. 134,044	10/1942	Vaughn	.....	D28/91
D. 151,234	10/1948	Graham	.....	D28/77
D. 153,938	5/1949	Graham	.....	D28/77
D. 350,837	9/1994	Kirby	.....	D28/82
1,394,545	10/1921	French	.....	220/377 X
5,165,603	11/1992	Hahn	.....	206/823 X

#### FOREIGN PATENT DOCUMENTS

2522943	9/1983	France	.....	206/823
---------	--------	--------	-------	---------

**1 Claim, 3 Drawing Sheets**

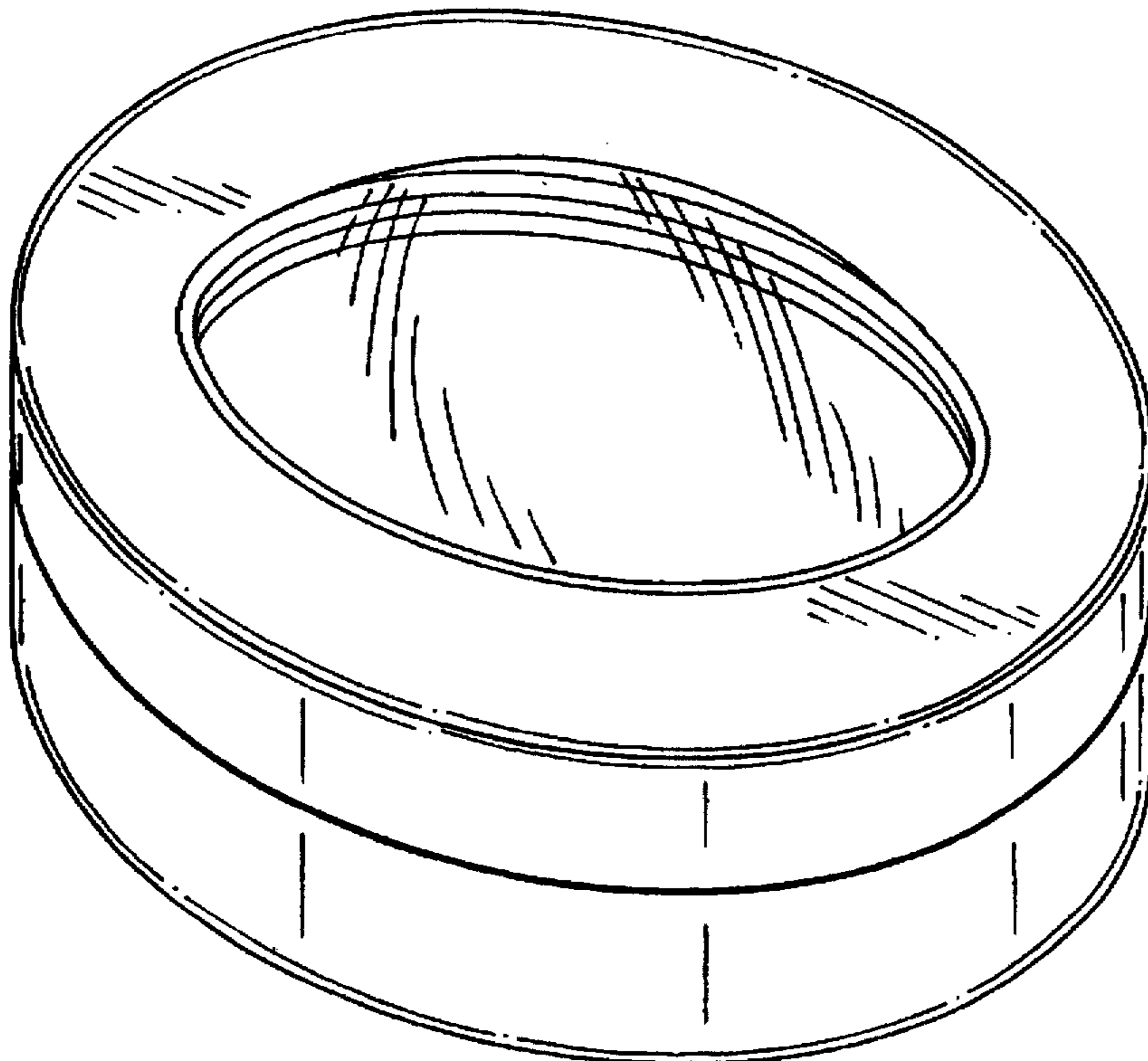


FIG-1

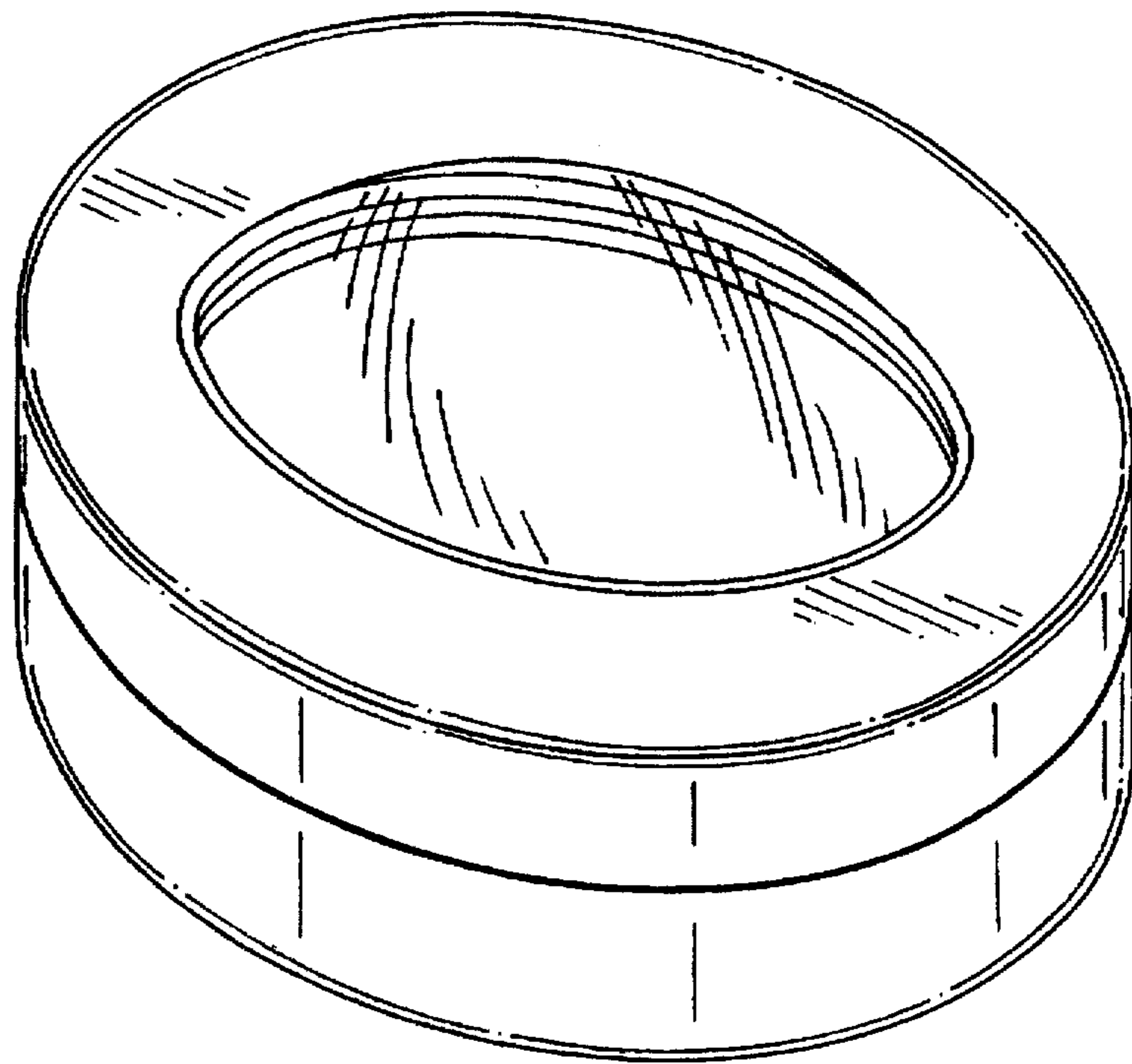


FIG-2

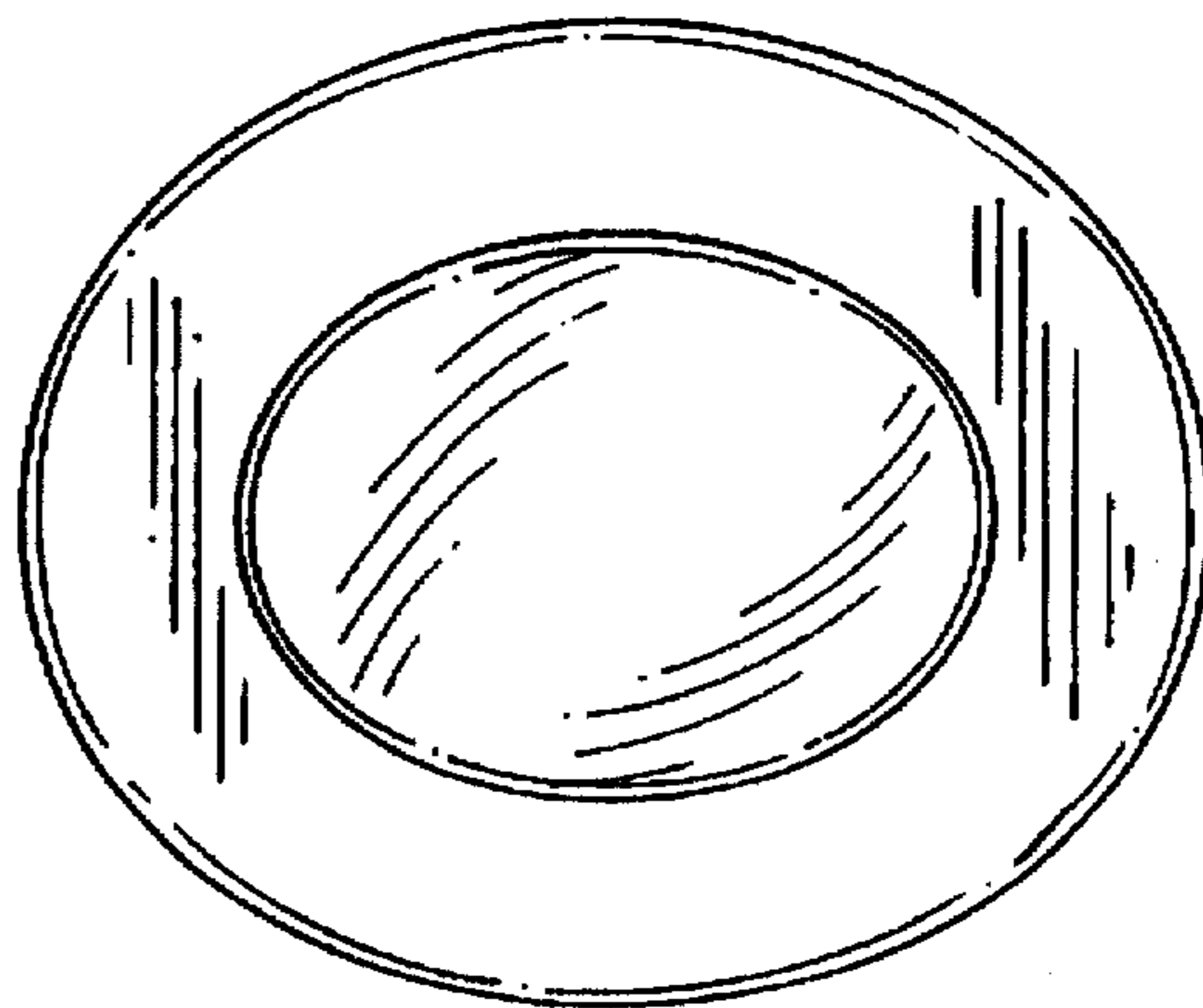


FIG-3

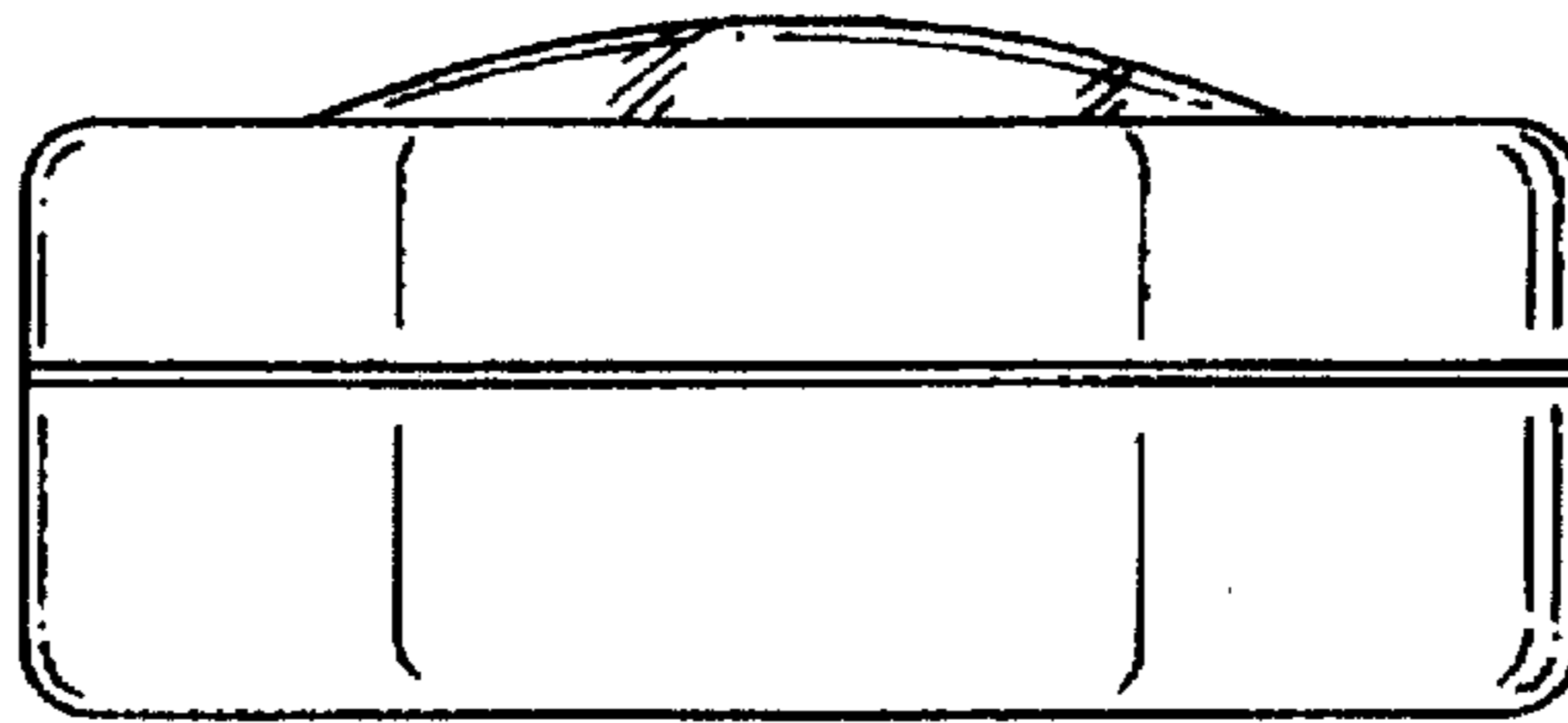


FIG-4

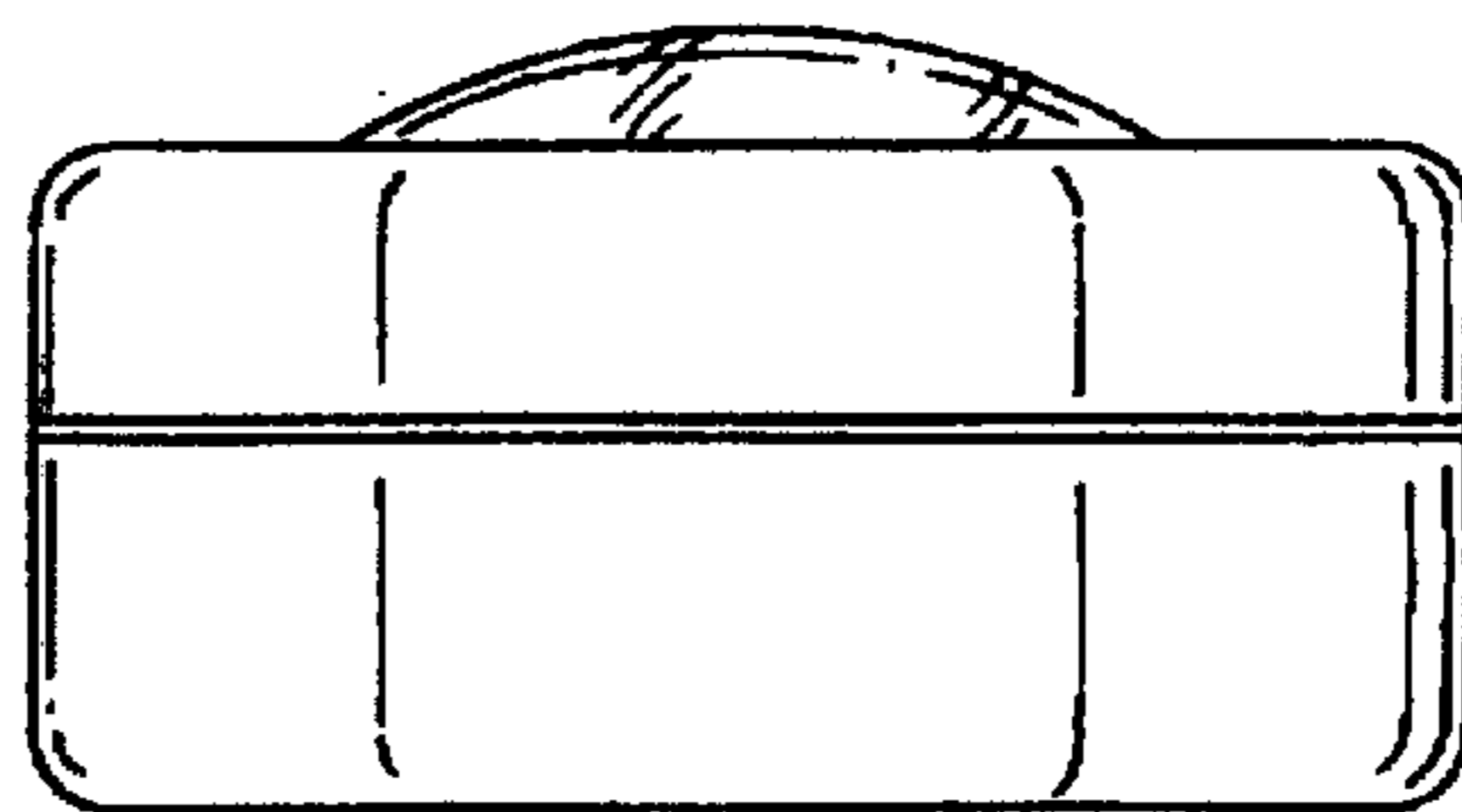


FIG-5

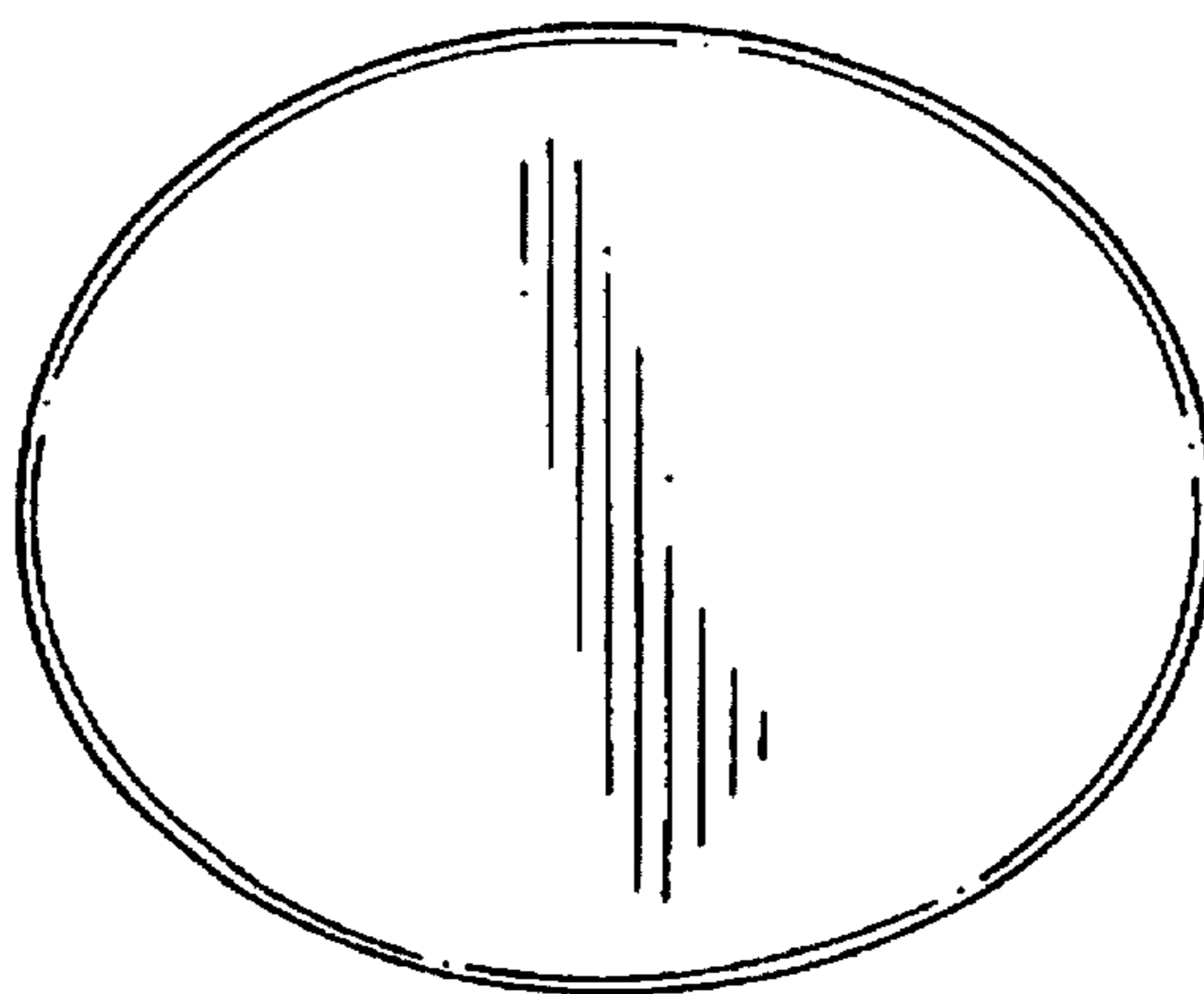


FIG-6

