



US00D388540S

# United States Patent [19] Ramar

[11] Patent Number: **Des. 388,540**

[45] Date of Patent: **\*\*Dec. 30, 1997**

[54] **RAZOR HAVING A ROTATABLE TRIANGULAR HEAD**

3,871,075	3/1975	Pentney .....	30/40.1
4,074,429	2/1978	Roberts .....	30/41 X
4,275,498	6/1981	Chiaffone .....	30/47

[76] Inventor: **Haim Ramar**, 156 N. Poinsettia Pl., Los Angeles, Calif. 90036

### FOREIGN PATENT DOCUMENTS

[\*\*] Term: **14 Years**

880947	4/1943	France .....	30/43.4
2632886	12/1989	France .....	30/50
219671	11/1924	United Kingdom .....	30/42
652261	4/1951	United Kingdom .....	30/43.4

[21] Appl. No.: **63,282**

[22] Filed: **Dec. 4, 1996**

*Primary Examiner*—Terry A. Wallace  
*Assistant Examiner*—C. Tuttle  
*Attorney, Agent, or Firm*—Norman B. Rainer

[51] LOC (6) Cl. .... **28-03**

[52] U.S. Cl. .... **D28/45; D28/46**

[58] Field of Search ..... D28/45-48; 30/32, 30/34.05, 34.2, 47-51, 43.4, 526, 527, 532, 346.57, 40

### [57] CLAIM

The ornamental design for a razor having a rotatable triangular head, as shown and described.

### [56] References Cited

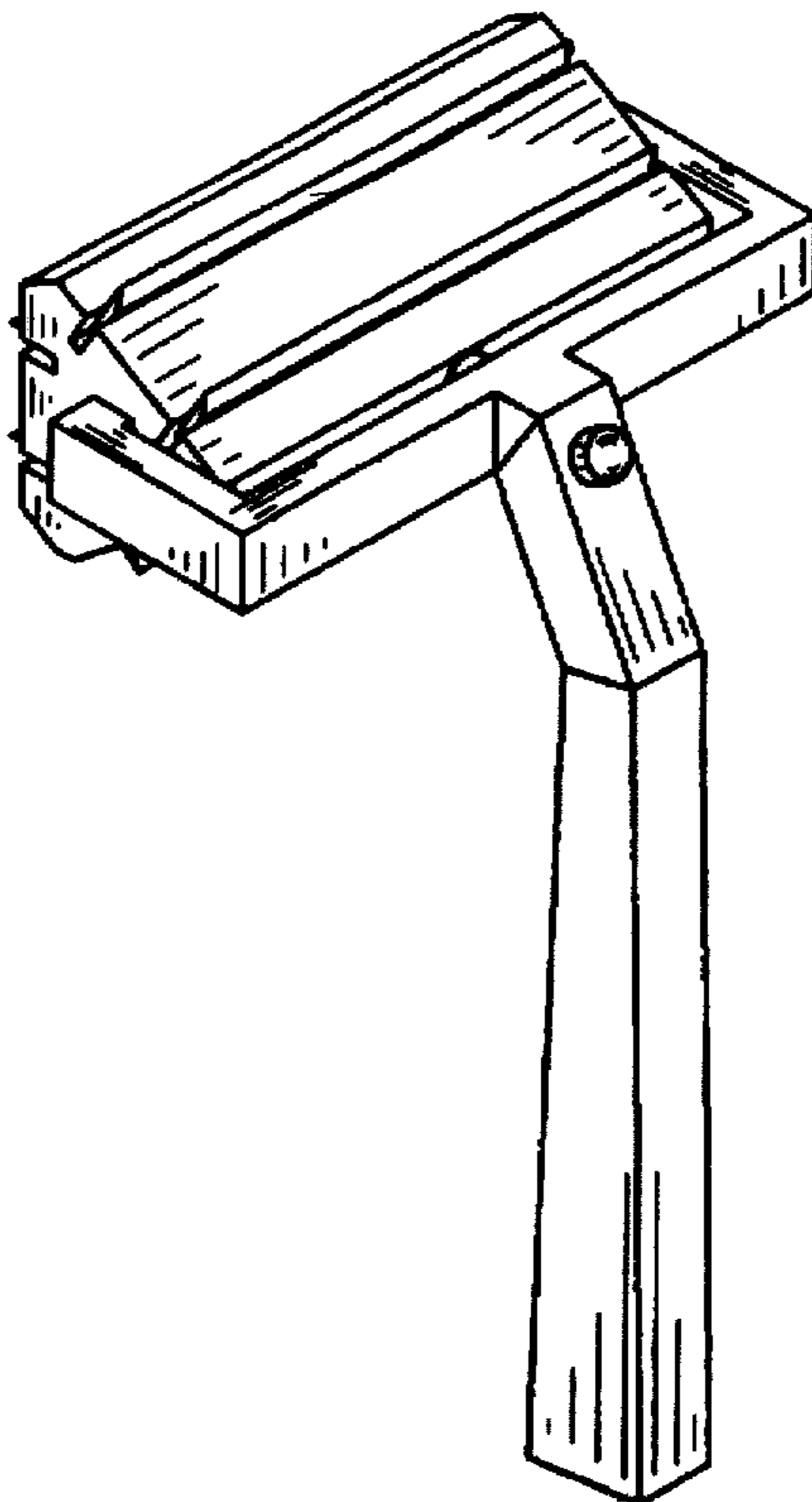
### DESCRIPTION

#### U.S. PATENT DOCUMENTS

D. 190,325	5/1961	Pepin .....	D28/46
D. 370,742	6/1996	Chase .....	D28/46
978,705	12/1910	Dannacher .....	30/32
2,127,881	8/1938	Morris .....	30/32
2,352,813	7/1944	Testi .....	30/40
2,380,461	7/1945	Pedersen et al. ....	30/43.4
2,565,062	8/1951	Blanchard .....	30/32
3,137,940	6/1964	Curci .....	30/40
3,430,341	3/1969	Choate .....	30/40
3,619,900	11/1971	Matsuura .....	30/40
3,722,091	3/1973	Gagnon .....	30/40

FIG. 1 is a top and rear perspective view of a razor having a rotatable triangular head, showing my new design; FIG. 2 is a right side view thereof, the unshown opposite side being of mirror-image appearance; FIG. 3 is a rear view thereof; FIG. 4 is a front view thereof; and, FIG. 5 is a top plan view thereof. The undisclosed surfaces are unornamented and follow the contours of the sides shown.

**1 Claim, 1 Drawing Sheet**



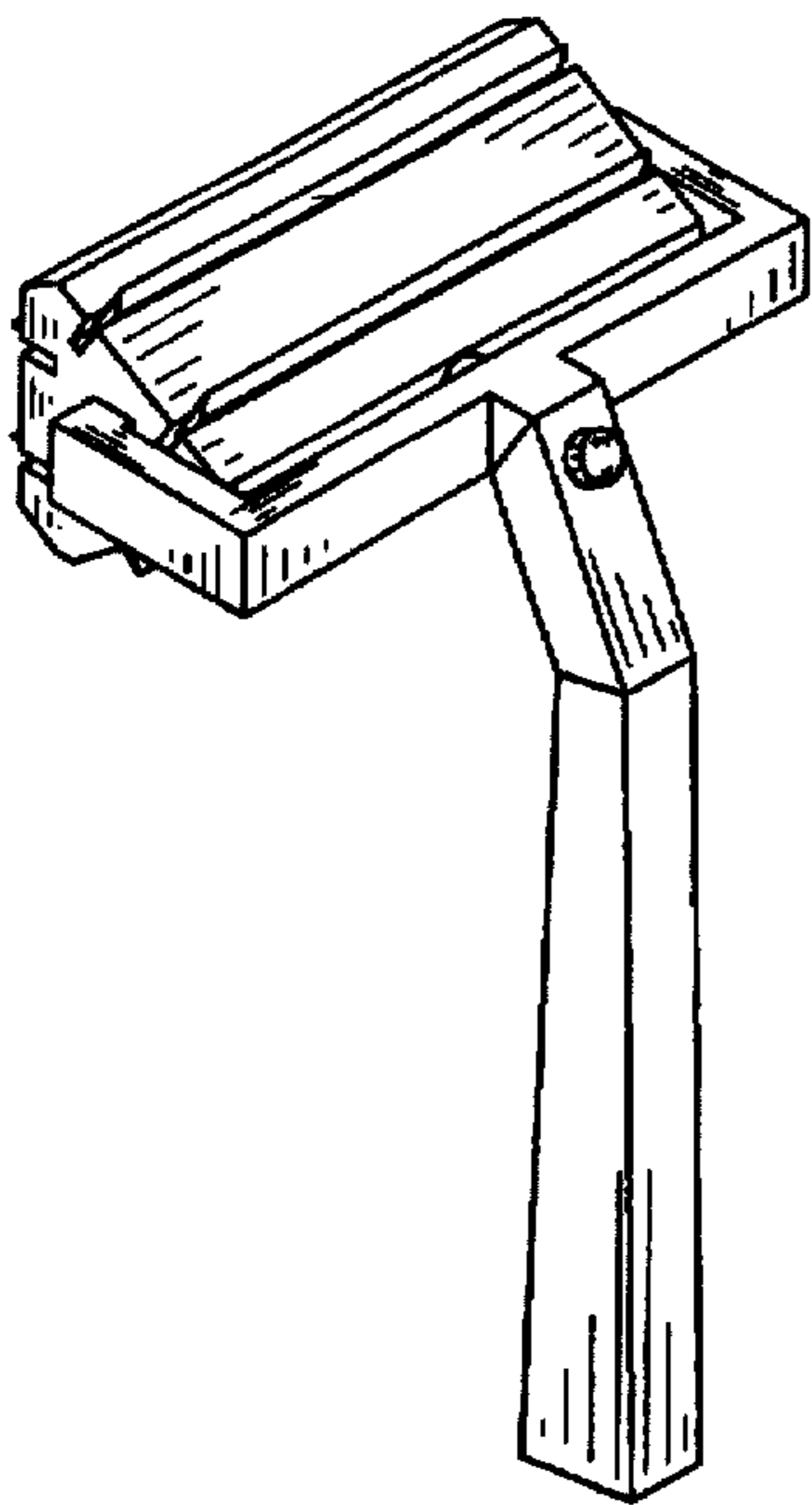


FIG. 1

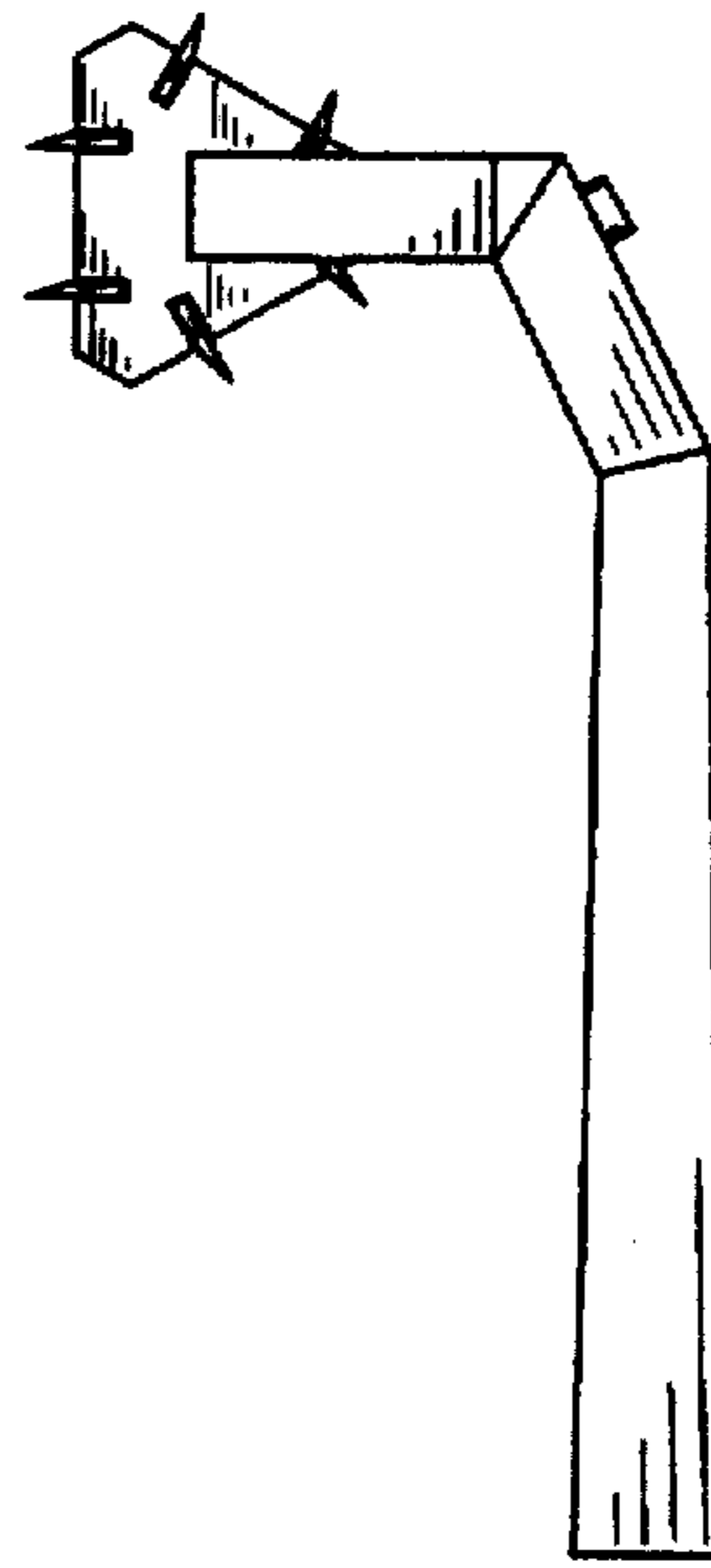


FIG. 2

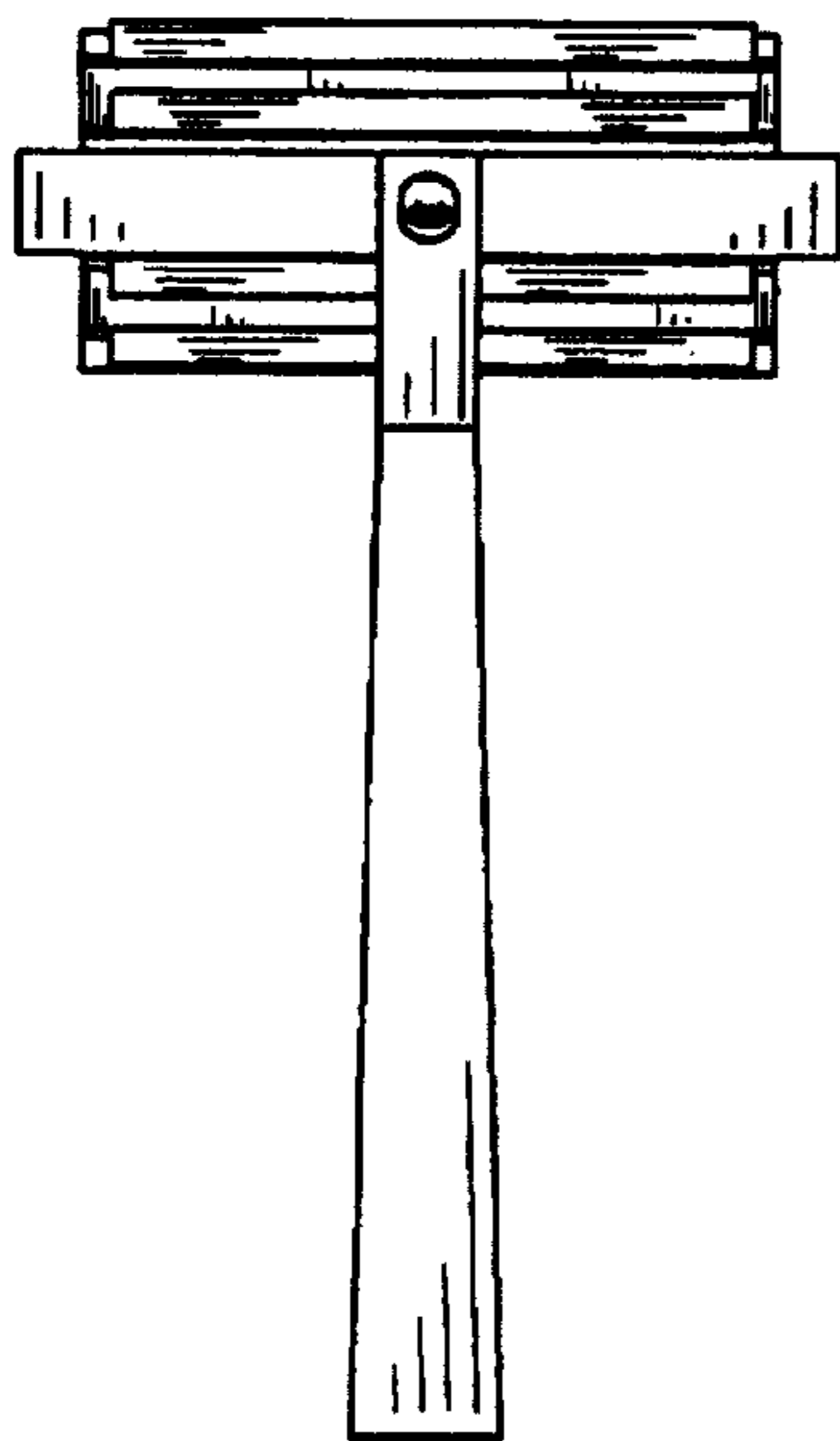


FIG. 3

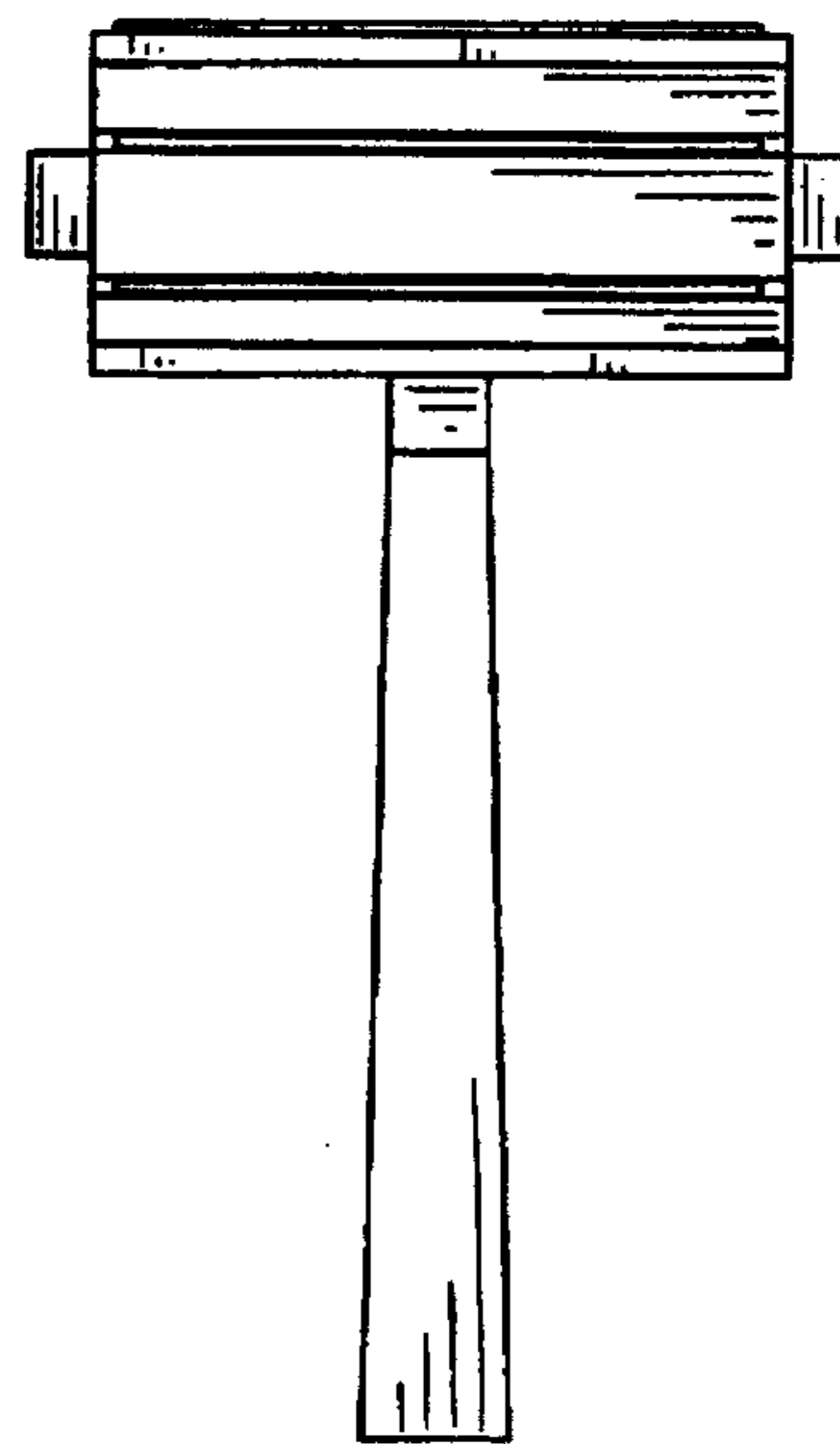


FIG. 4

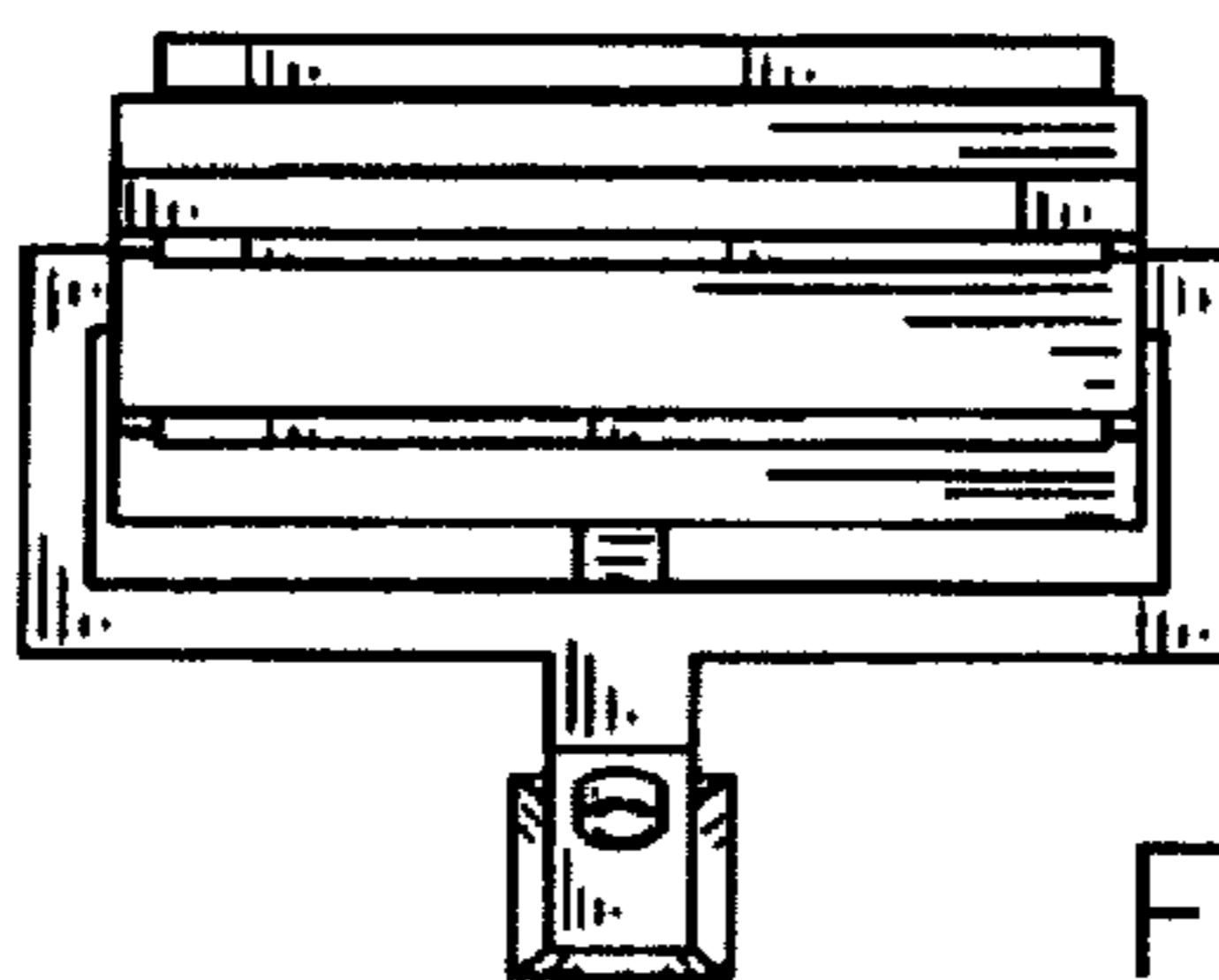


FIG. 5