



US00D388530S

United States Patent [19]

Hellhake

[11] Patent Number: **Des. 388,530**

[45] Date of Patent: ****Dec. 30, 1997**

[54] **SET OF FRONT HEADLAMP BEZEL EXTERIOR SURFACE**

[76] Inventor: **Ferdinand F. Hellhake**, 14308 SW. Stallion Dr., Beaverton, Oreg. 97008

[**] Term: **14 Years**

[21] Appl. No.: **50,613**

[22] Filed: **Feb. 16, 1996**

[51] LOC (6) Cl. **26-99**

[52] U.S. Cl. **D26/139**

[58] Field of Search D26/28-36, 139, D26/120, 121; 362/61, 80, 80.1, 80.2, 82, 83, 83.2, 325, 342, 354, 376

[56] References Cited

U.S. PATENT DOCUMENTS

- D. 183,955 11/1958 Wilfert D26/139
- D. 316,461 4/1991 Mc Glothlin D26/139

OTHER PUBLICATIONS

Freightliner Business Class FL 112 Conventional brochure; published 1995.
 Freightliner engineering drawing D17-12853 dated Feb. 13, 1995.

Primary Examiner—Marcus A. Jackson
 Attorney, Agent, or Firm—Klarquist Sparkman Campbell Leigh & Winston

[57] CLAIM

The ornamental design for a set of front headlamp bezel exterior surface, as shown and described.

DESCRIPTION

FIG. 1 is a front elevational view of a set of front headlamp bezel exterior surface showing my new design, with the broken line showing for illustrative purposes only and forming no part of the claimed design;

FIG. 2 is an enlarged perspective view thereof, with the right side shown for clarity of illustration only;

FIG. 3 is a right side elevational view thereof;

FIG. 4 is a top plan view thereof;

FIG. 5 is a front elevational view thereof;

FIG. 6 is a perspective view thereof, with the left side shown for clarity of illustration only;

FIG. 7 is a left side elevational view thereof;

FIG. 8 is a top plan view thereof; and,

FIG. 9 is a front elevational view thereof.

1 Claim, 4 Drawing Sheets

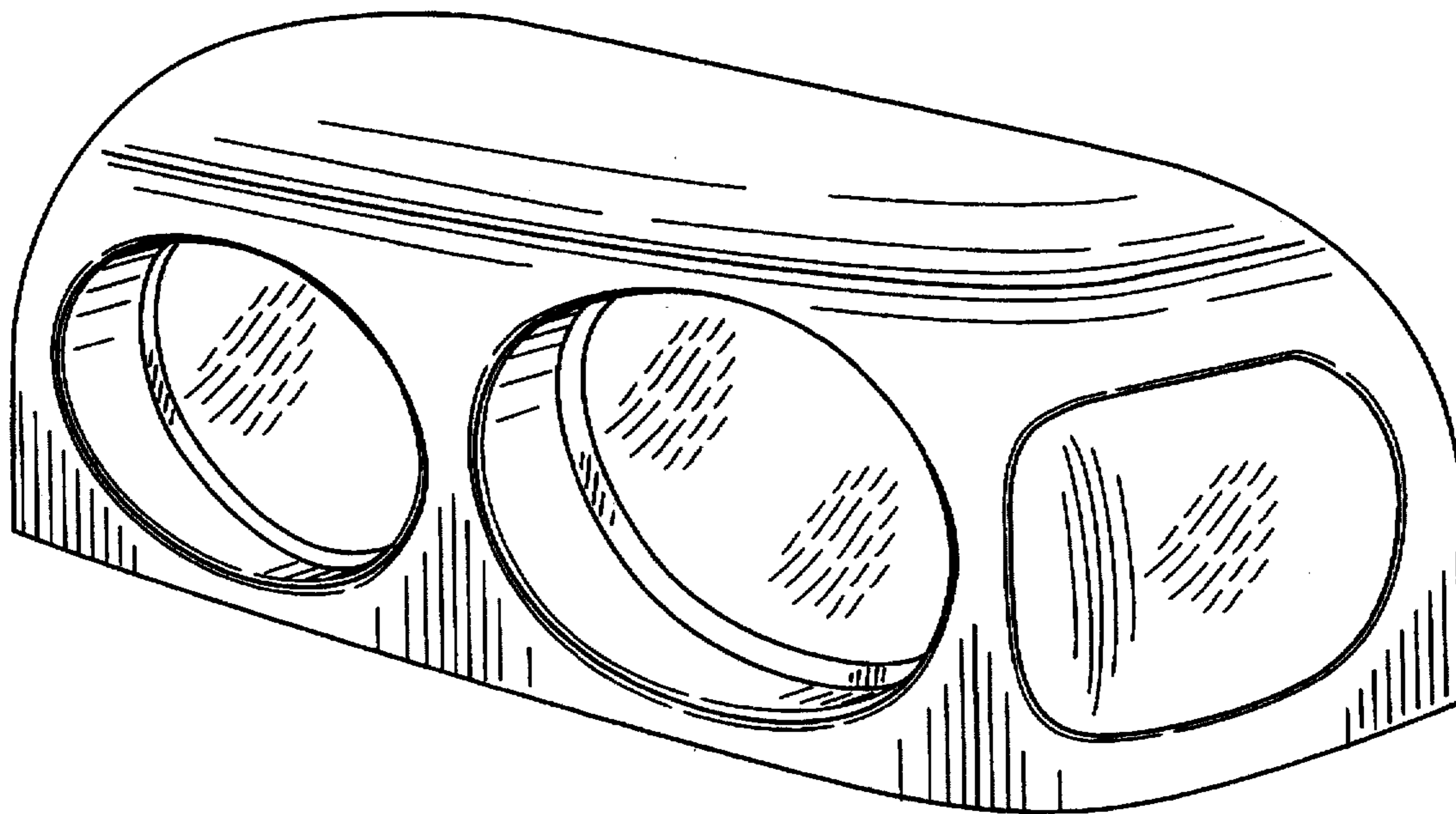


FIG. 1

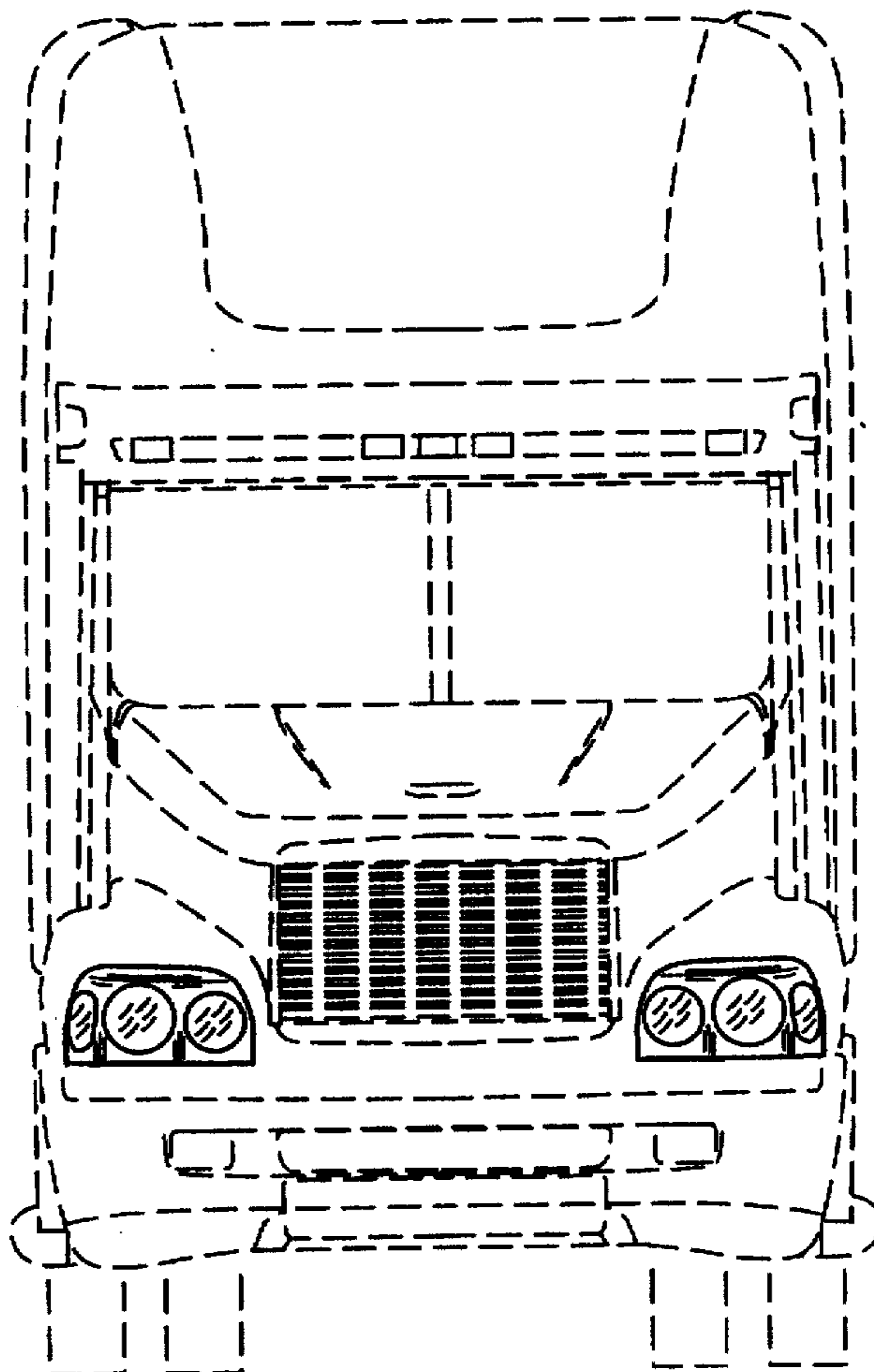
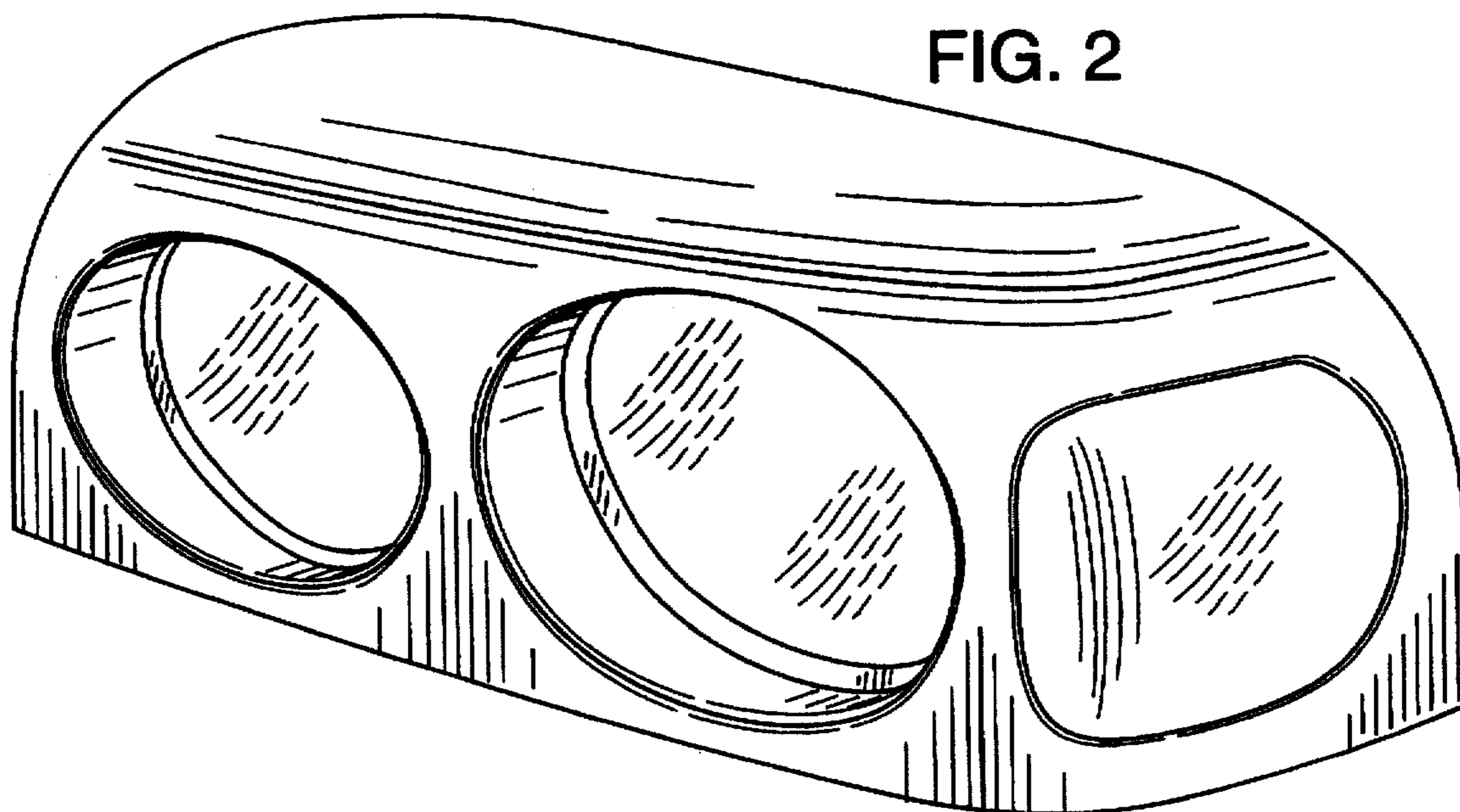


FIG. 2



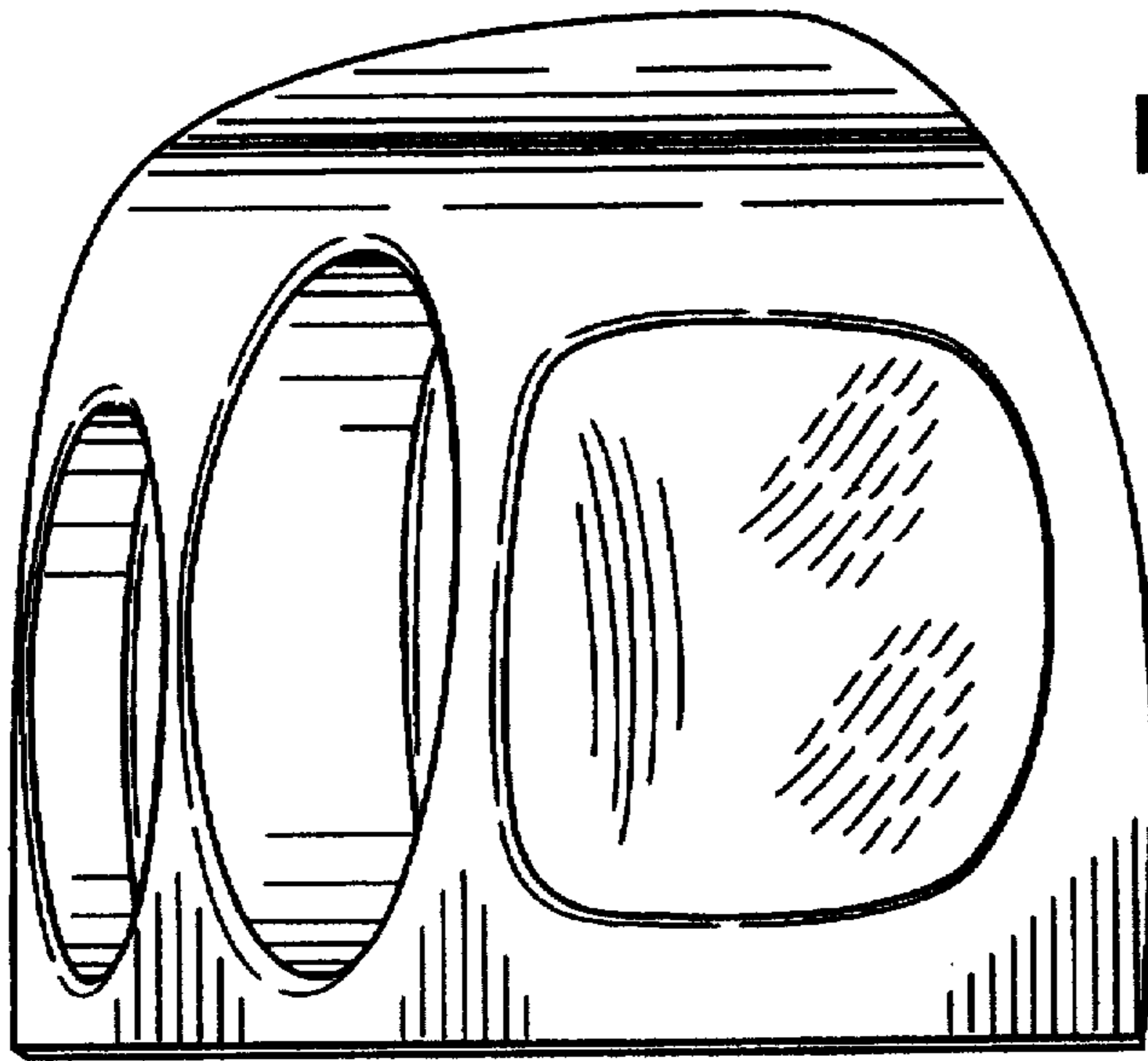


FIG. 3

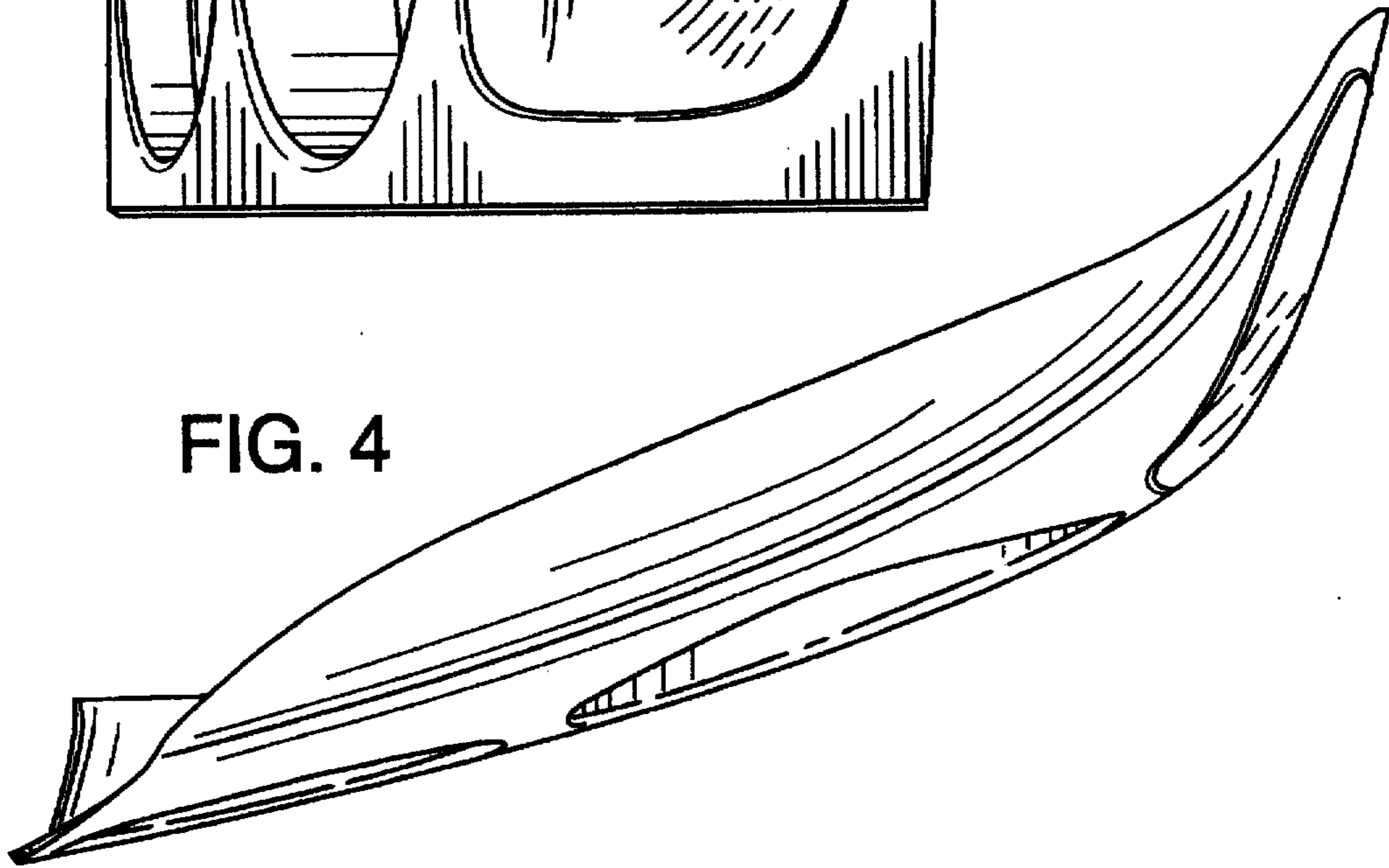


FIG. 4

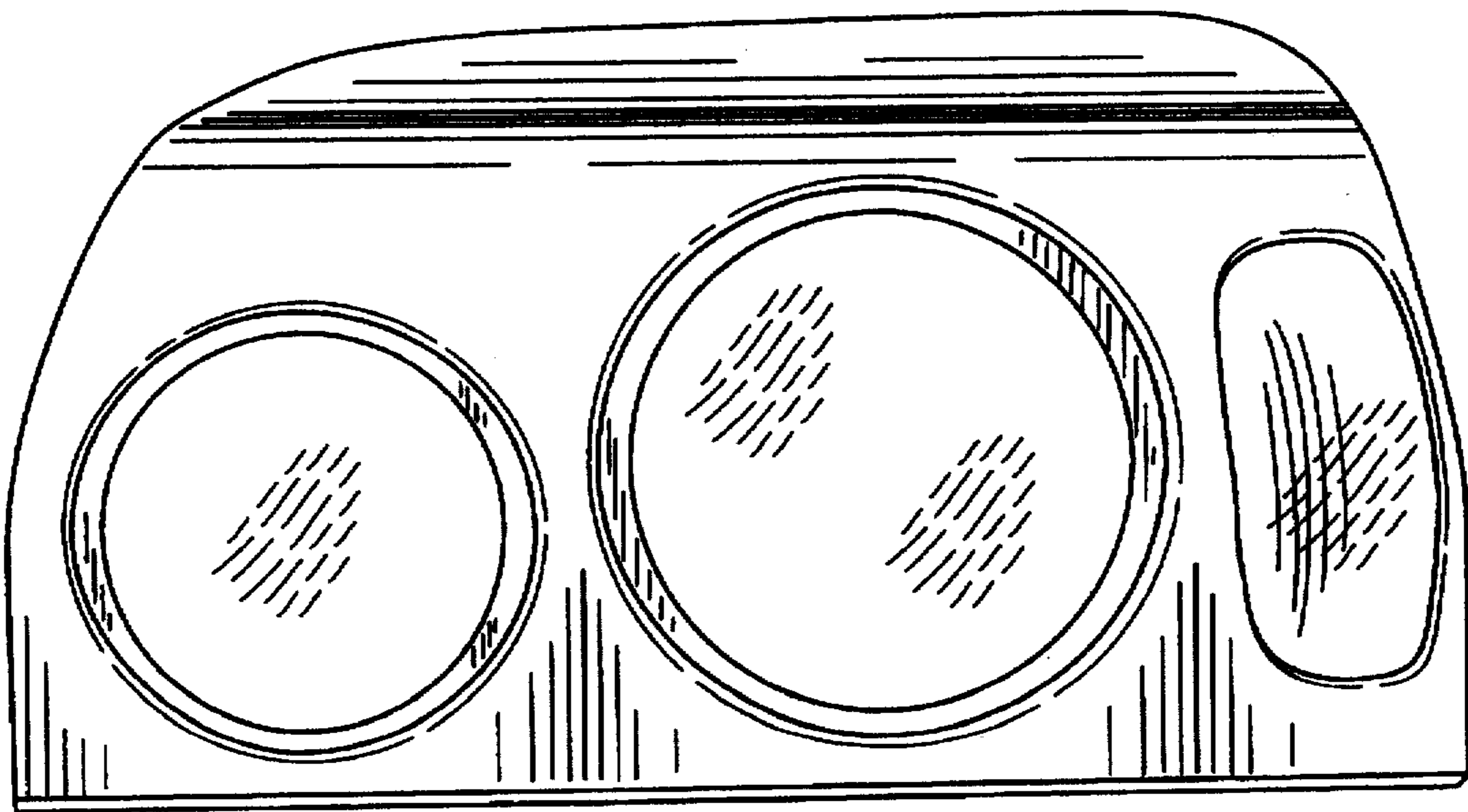


FIG. 5

FIG. 6

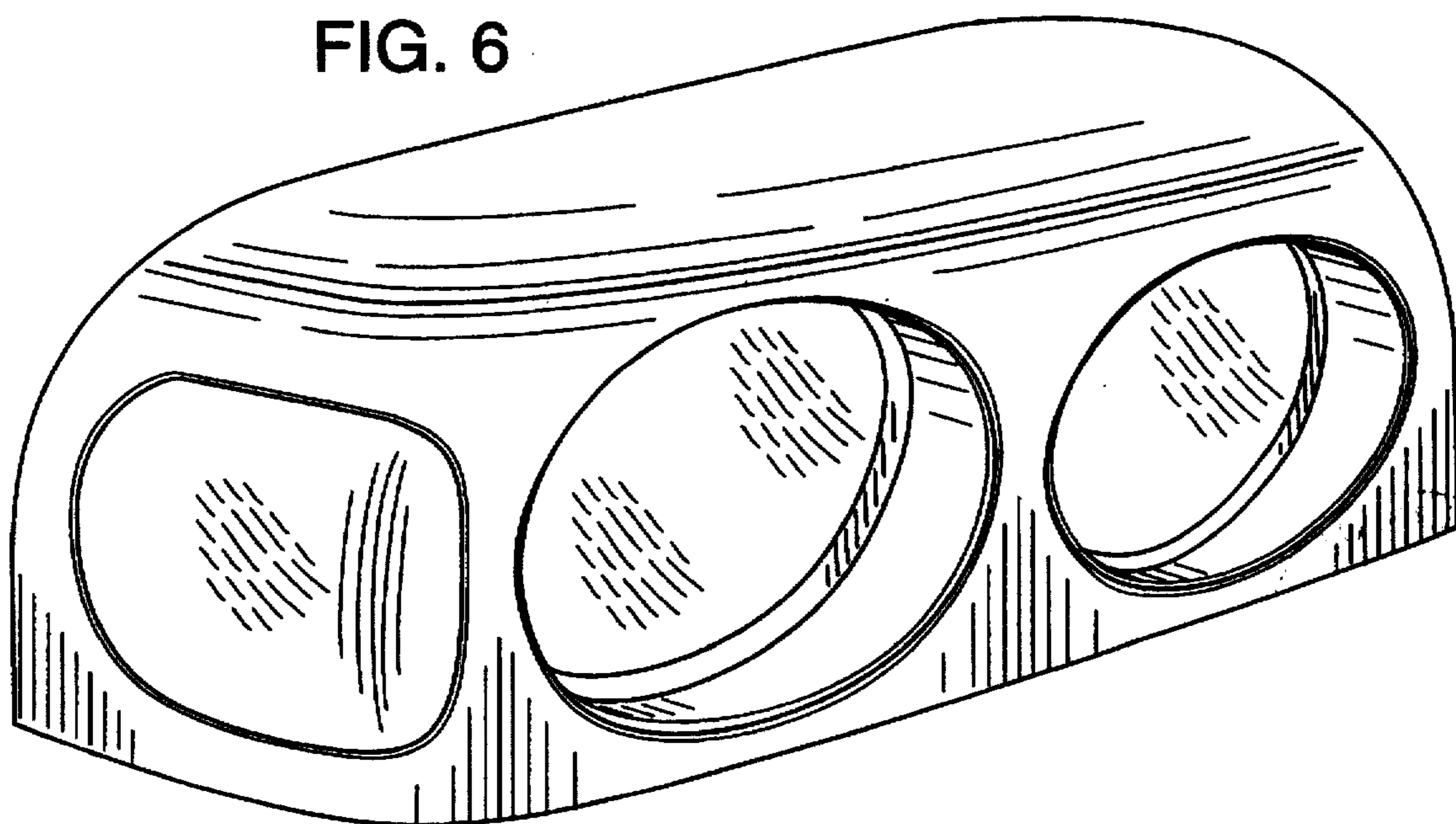


FIG. 7

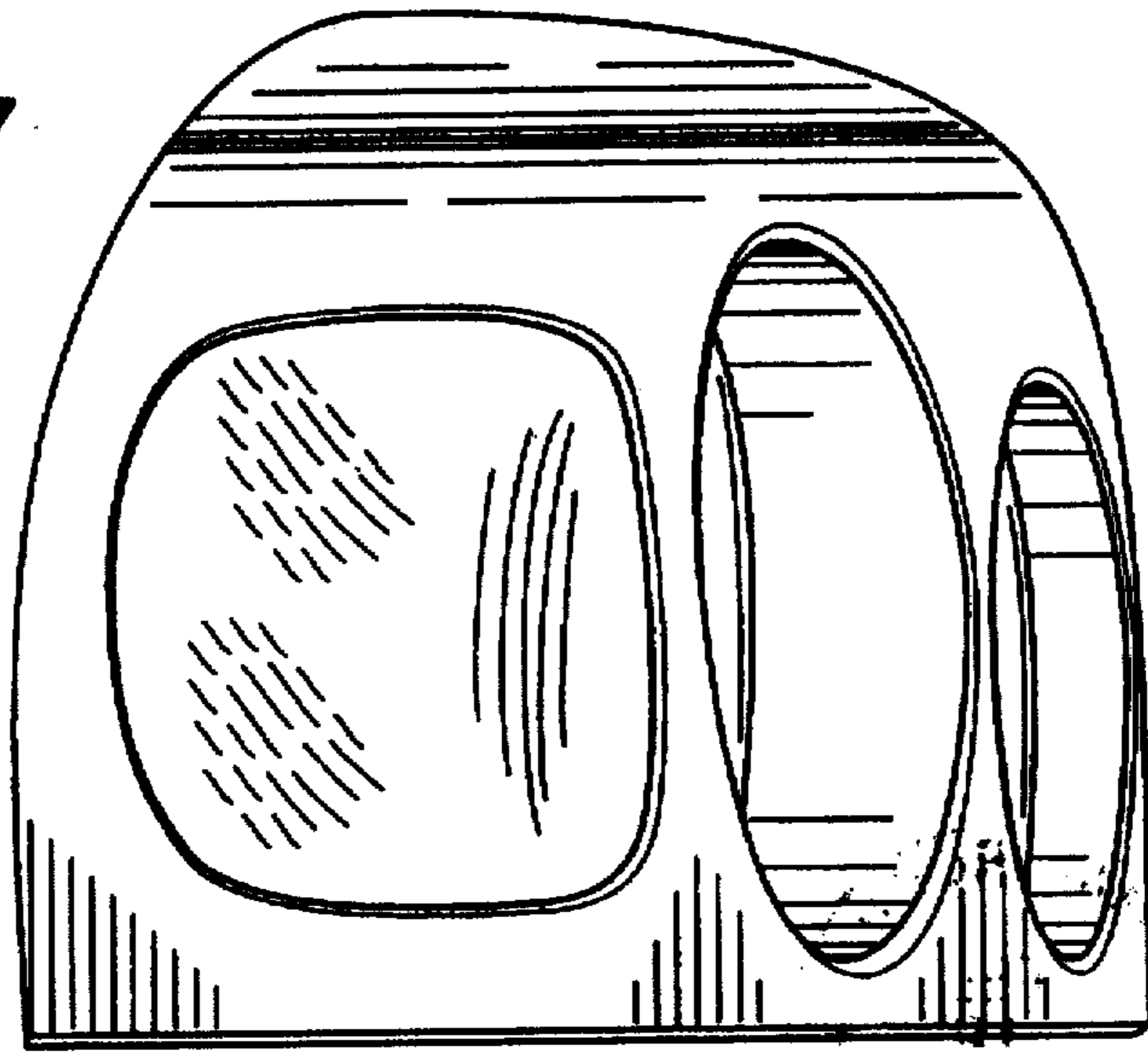


FIG. 8

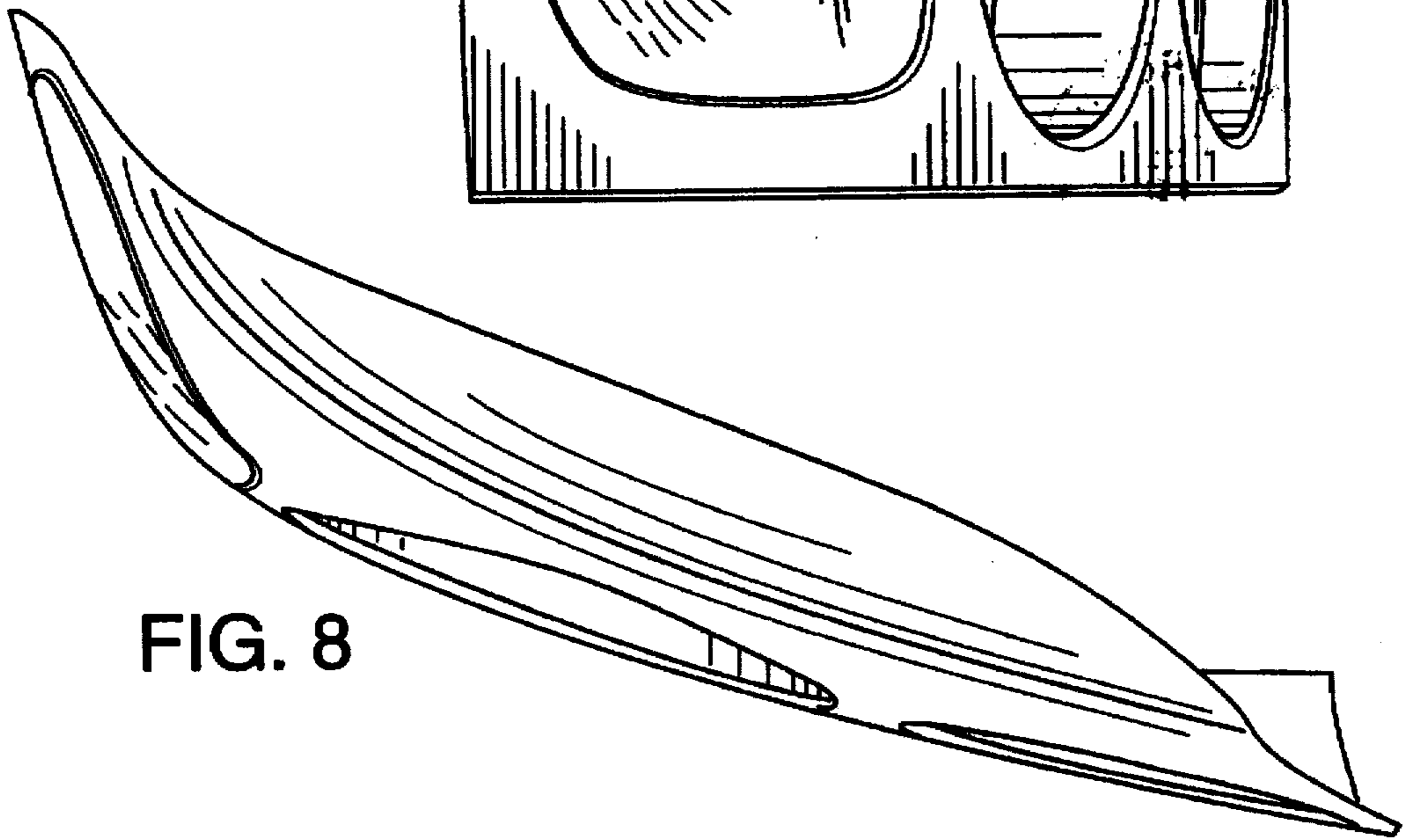


FIG. 9

