

US00D388528S

**United States Patent** [19]  
**Shear**

[11] **Patent Number: Des. 388,528**  
[45] **Date of Patent: \*\*Dec. 30, 1997**

[54] **LAMP**

[76] **Inventor: Daniel Ross Shear, 443 Chartley Park Dr., Reisterstown, Md. 21136**

[\*\*] **Term: 14 Years**

[21] **Appl. No.: 49,277**

[22] **Filed: Jan. 22, 1996**

[51] **LOC (6) Cl. .... 26-05**

[52] **U.S. Cl. .... D26/106; D26/106**

[58] **Field of Search .... D26/93, 102-112; 362/410-414, 351, 352, 353, 355, 358, 361, 806, 812, 227, 236, 237, 246, 238, 249, 252, 250**

[56] **References Cited**

**U.S. PATENT DOCUMENTS**

4,510,555	4/1985	Mori	362/252	X
4,658,337	4/1987	Burke	362/249	X
5,001,614	3/1991	Buss	362/249	X

*Primary Examiner*—Susan J. Lucas  
*Attorney, Agent, or Firm*—Michael Aronoff

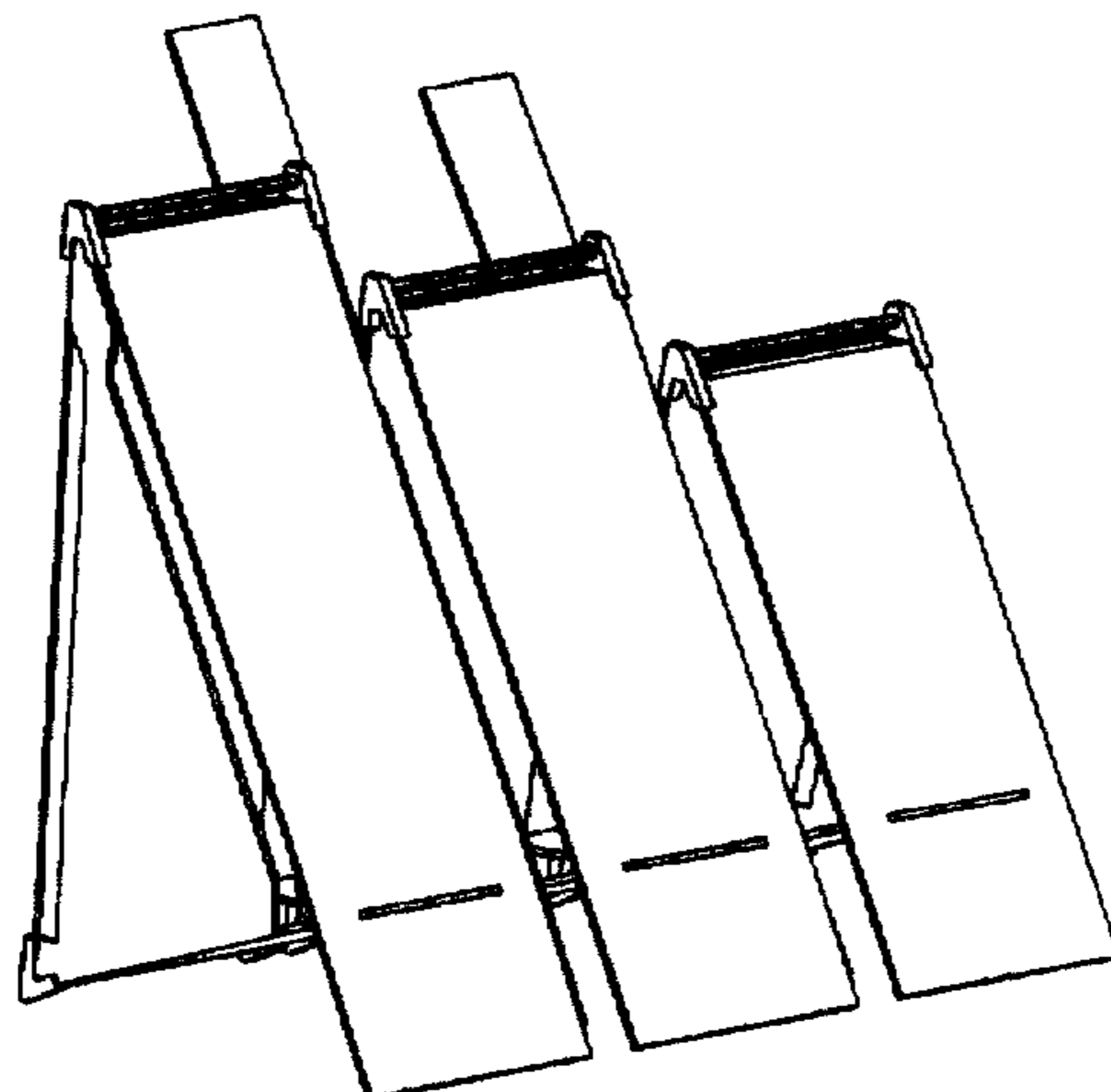
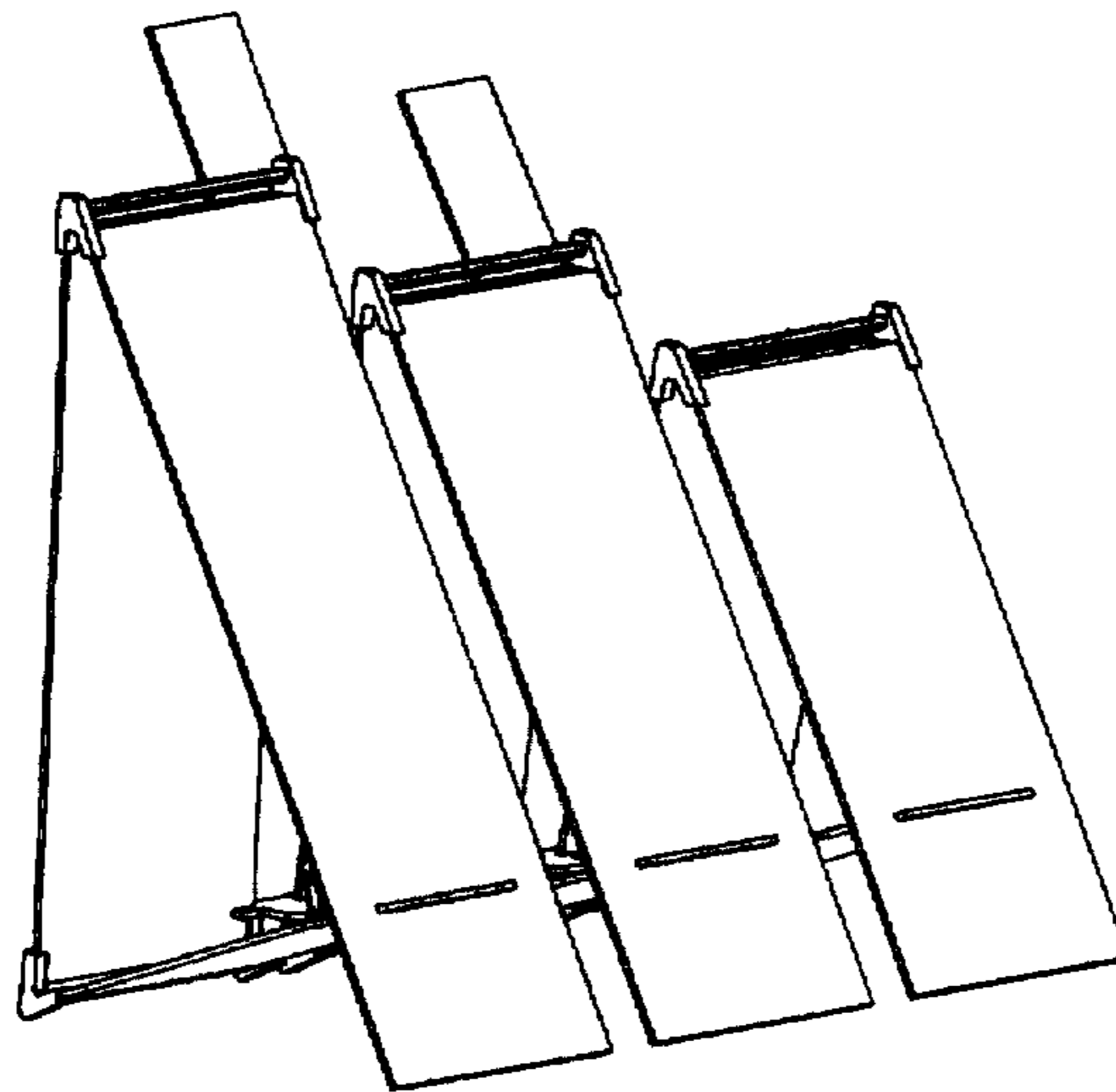
[57] **CLAIM**

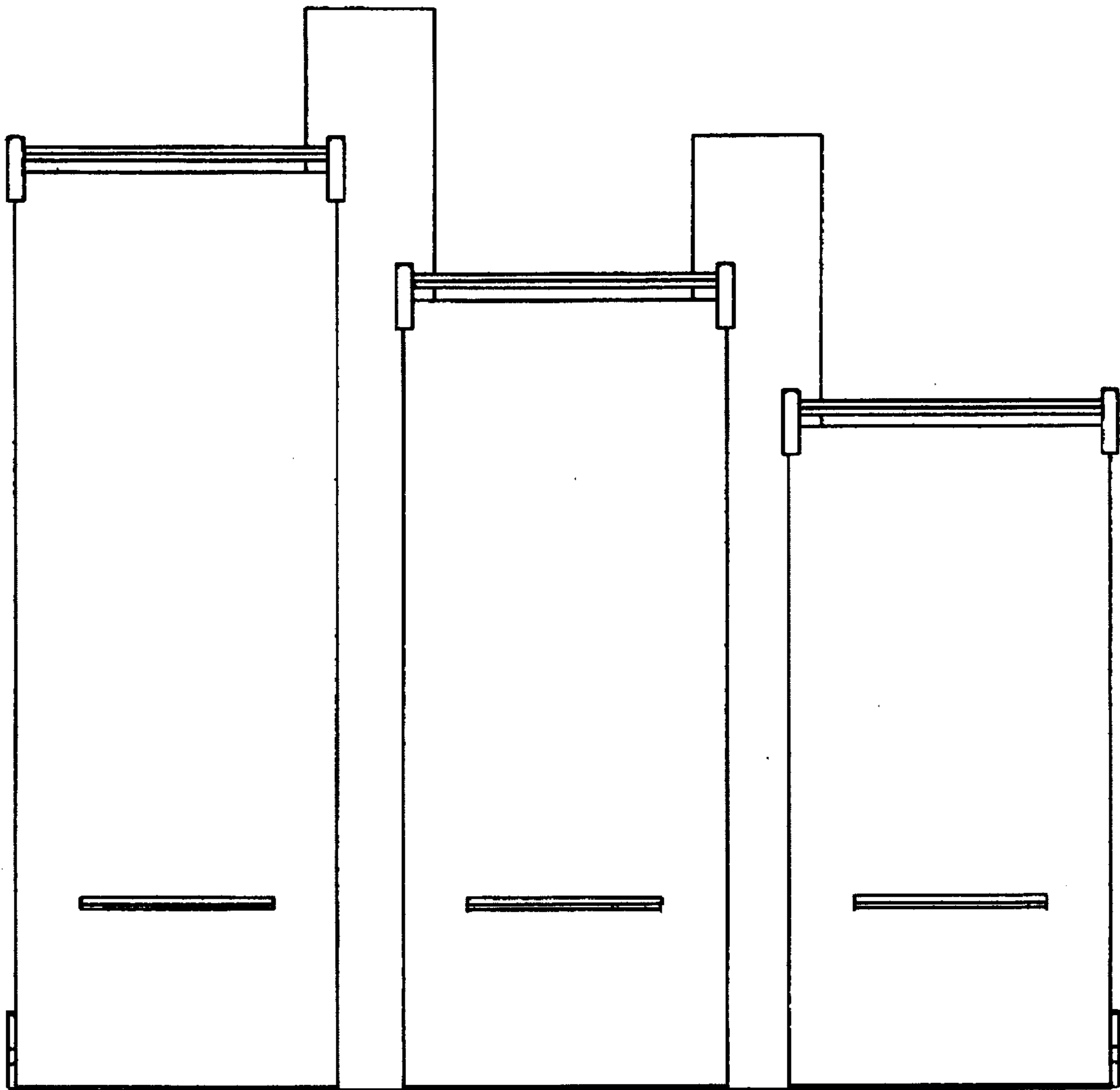
The ornamental design for a lamp, as shown and described.

**DESCRIPTION**

FIG. 1 is a front elevation view of a lamp showing my new design;  
FIG. 2 is a rear elevation view thereof;  
FIG. 3 is a top plan view of FIG. 1;  
FIG. 4 is a left side elevation view thereof;  
FIG. 5 is a right side elevation view thereof;  
FIG. 6 is a left front perspective view thereof;  
FIG. 7 is a left rear perspective view thereof;  
FIG. 8 is a left side elevation view of a second embodiment of my new design;  
FIG. 9 is a right side elevation view thereof;  
FIG. 10 is a left front perspective view thereof; and,  
FIG. 11 is a right front perspective view thereof.

**1 Claim, 9 Drawing Sheets**

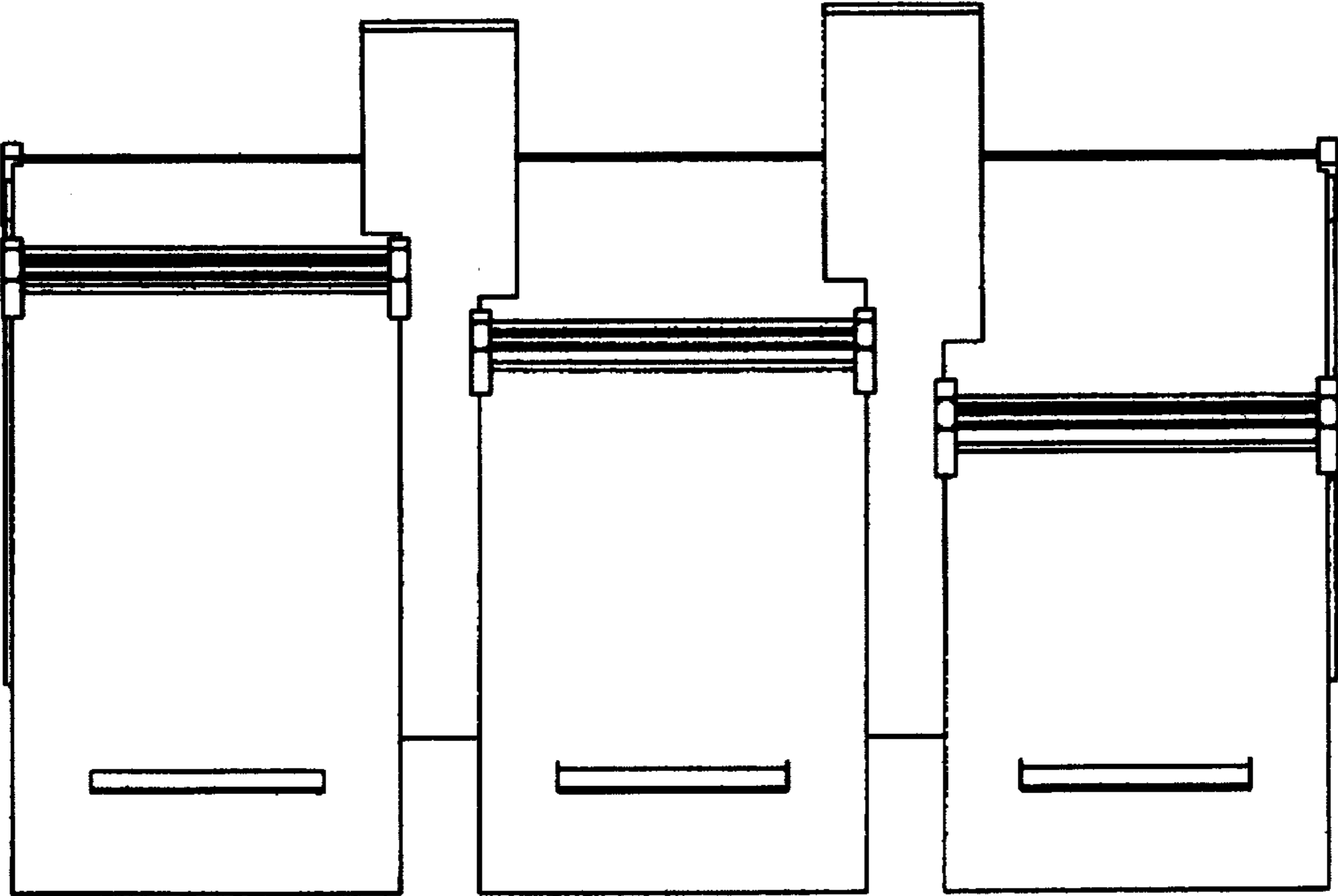




**FIGURE 1**



**FIGURE 2**



**FIGURE 3**

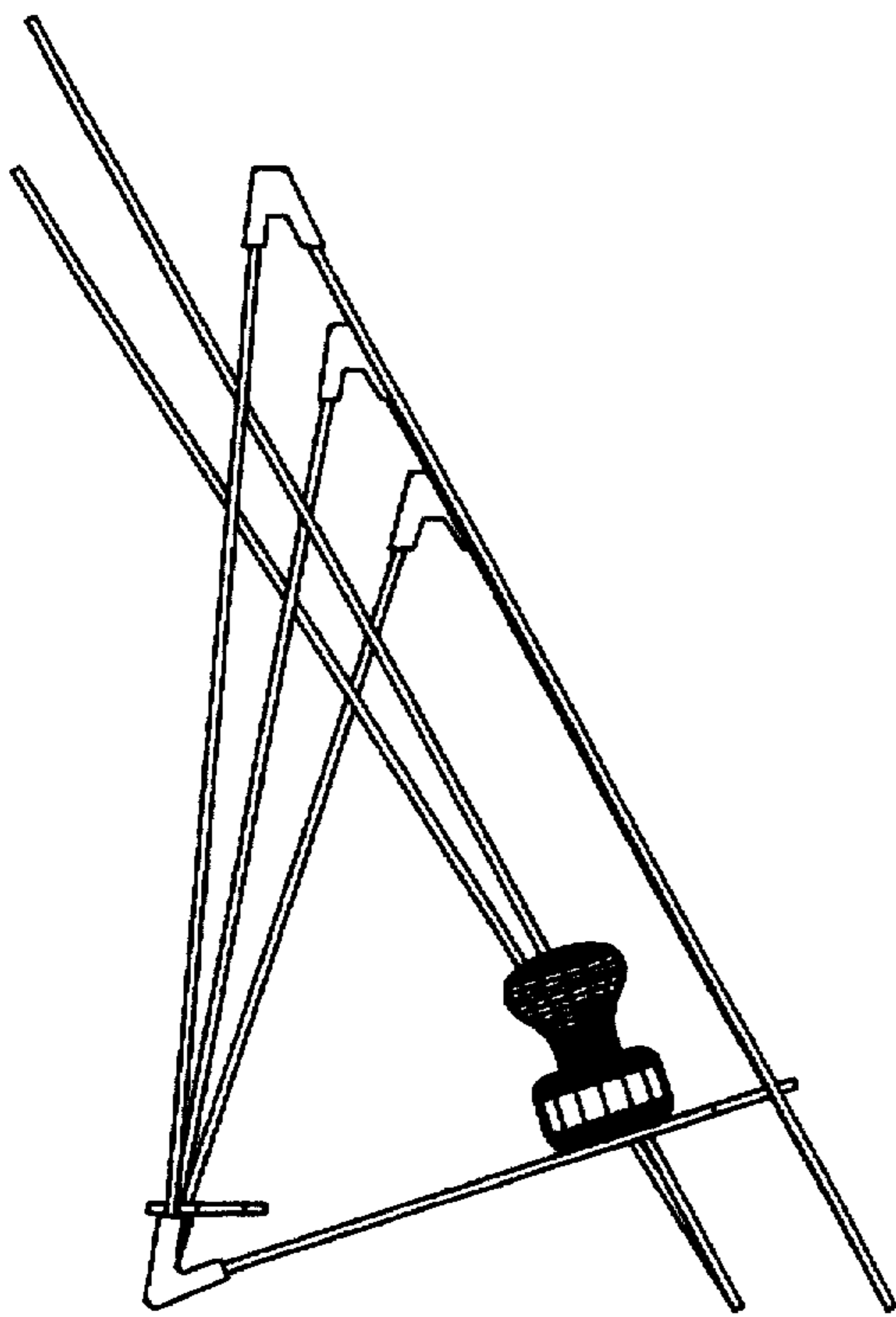


FIGURE 4

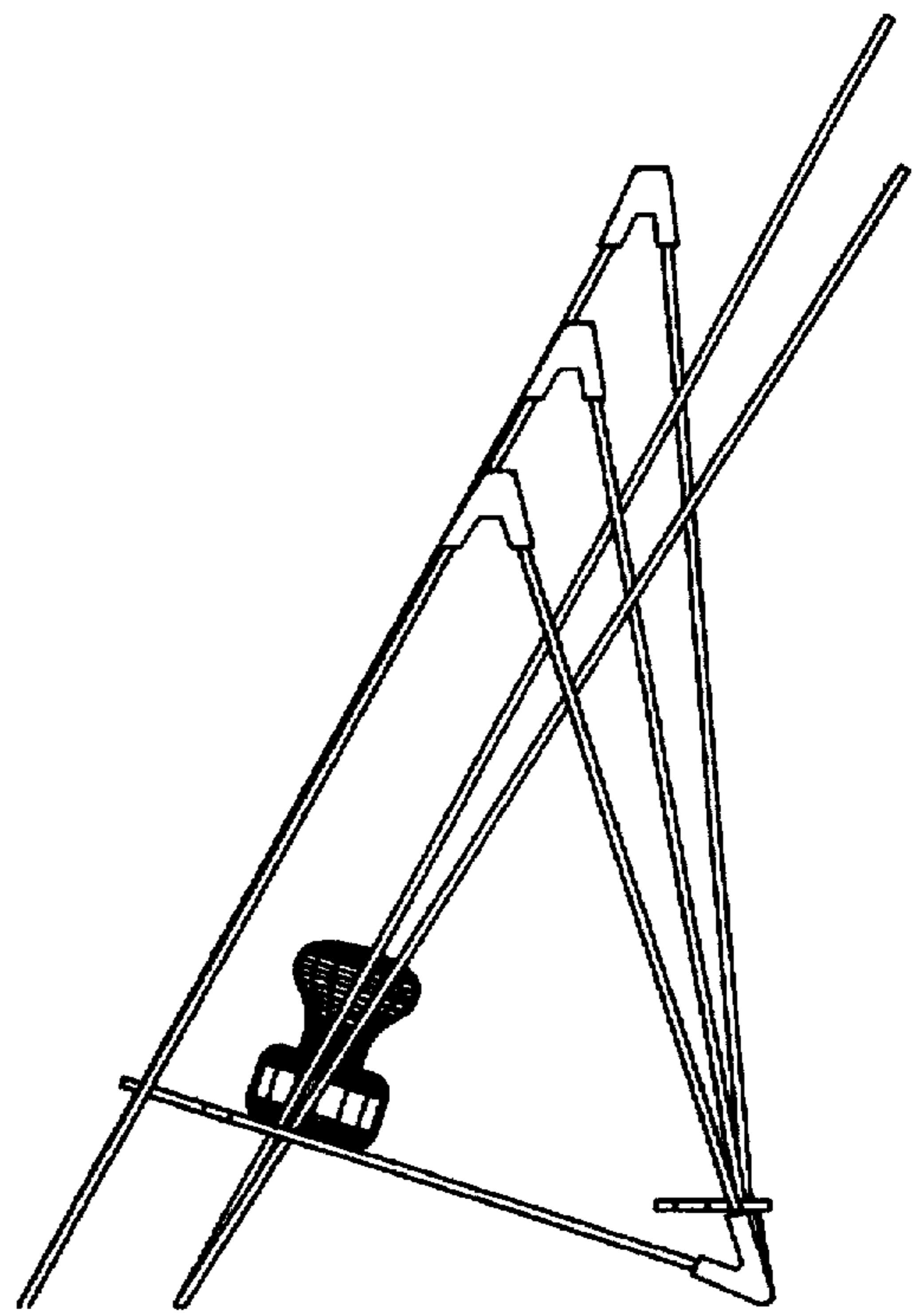
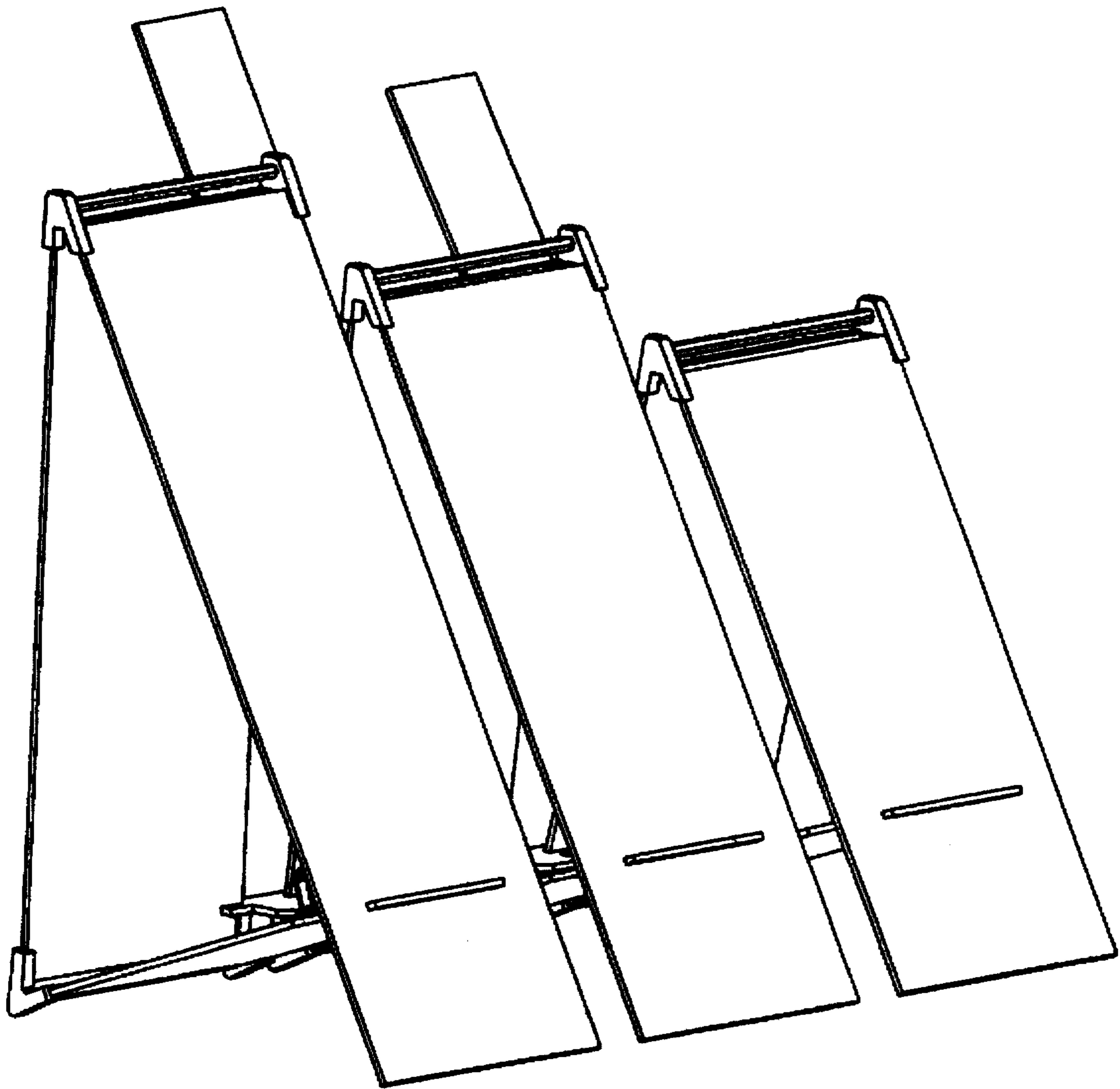
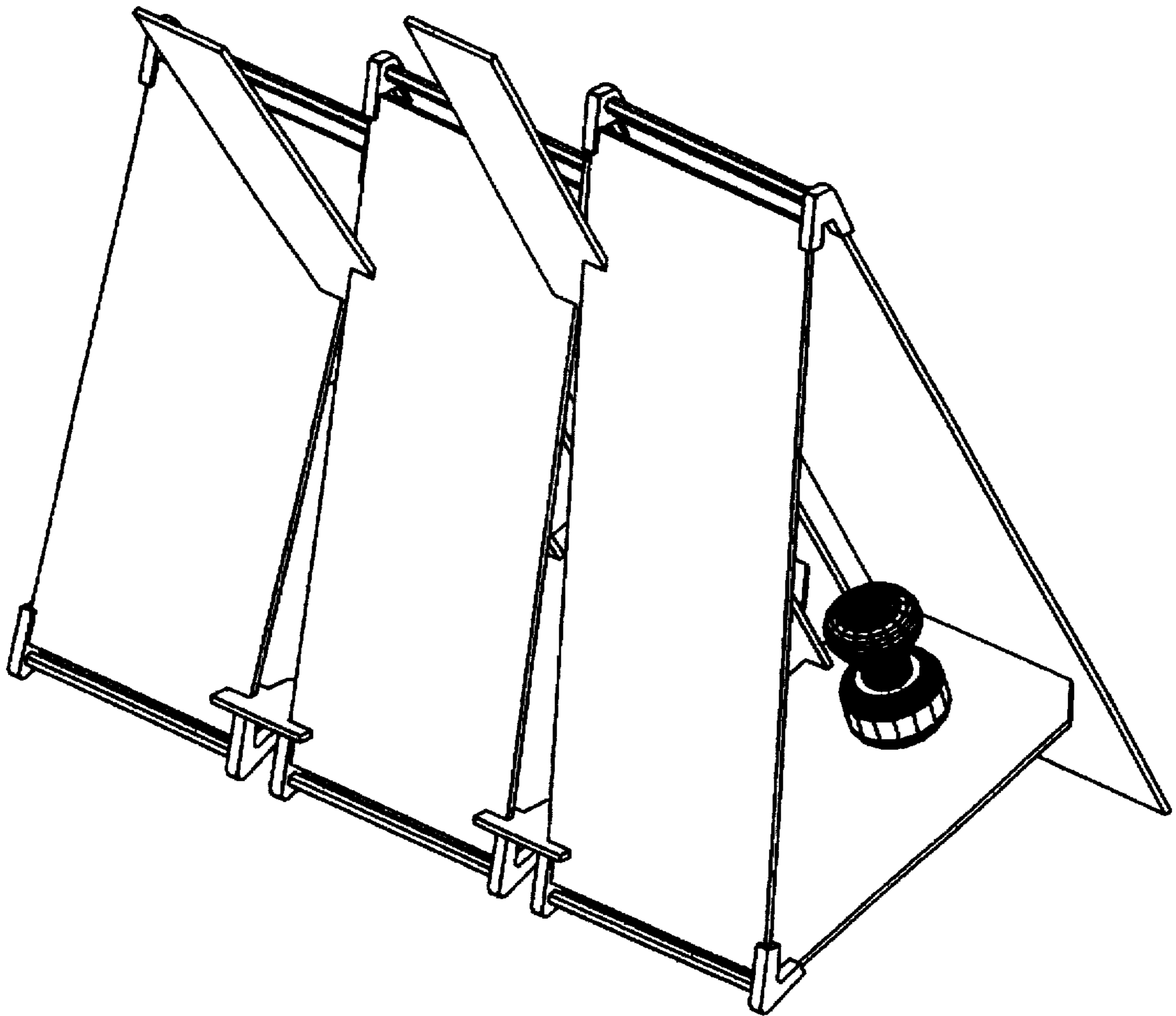


FIGURE 5



**FIGURE 6**



**FIGURE 7**

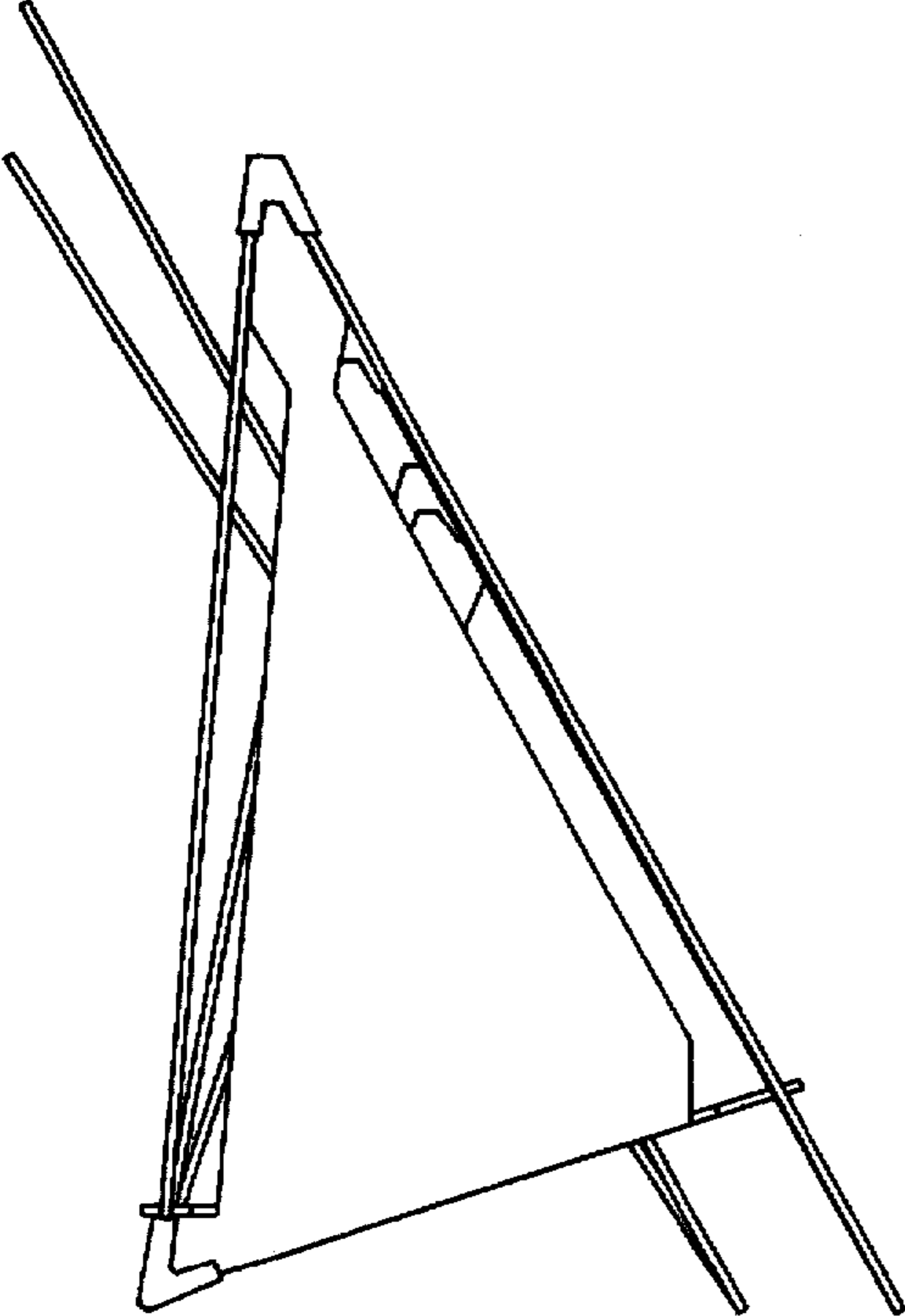


FIGURE 8

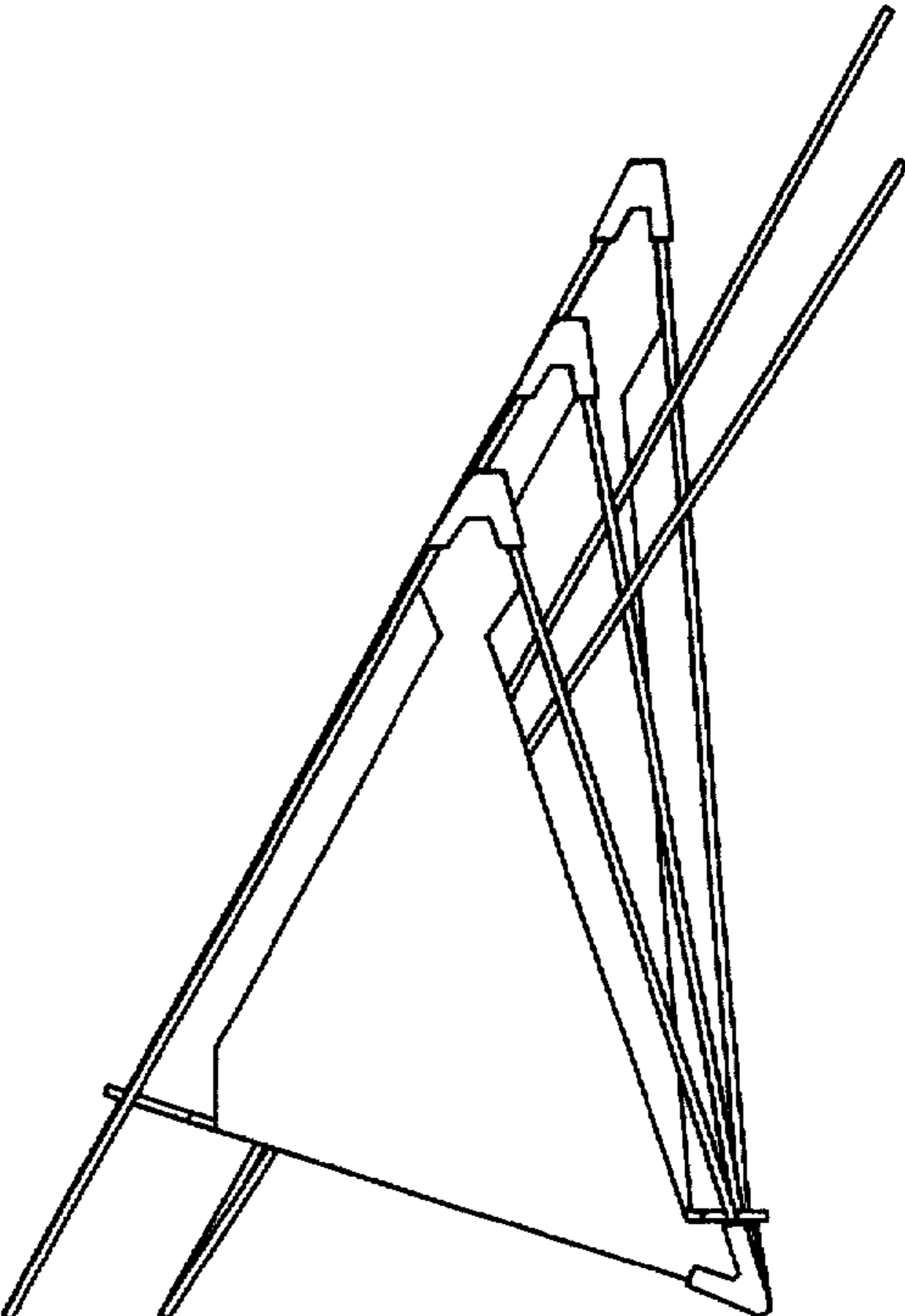
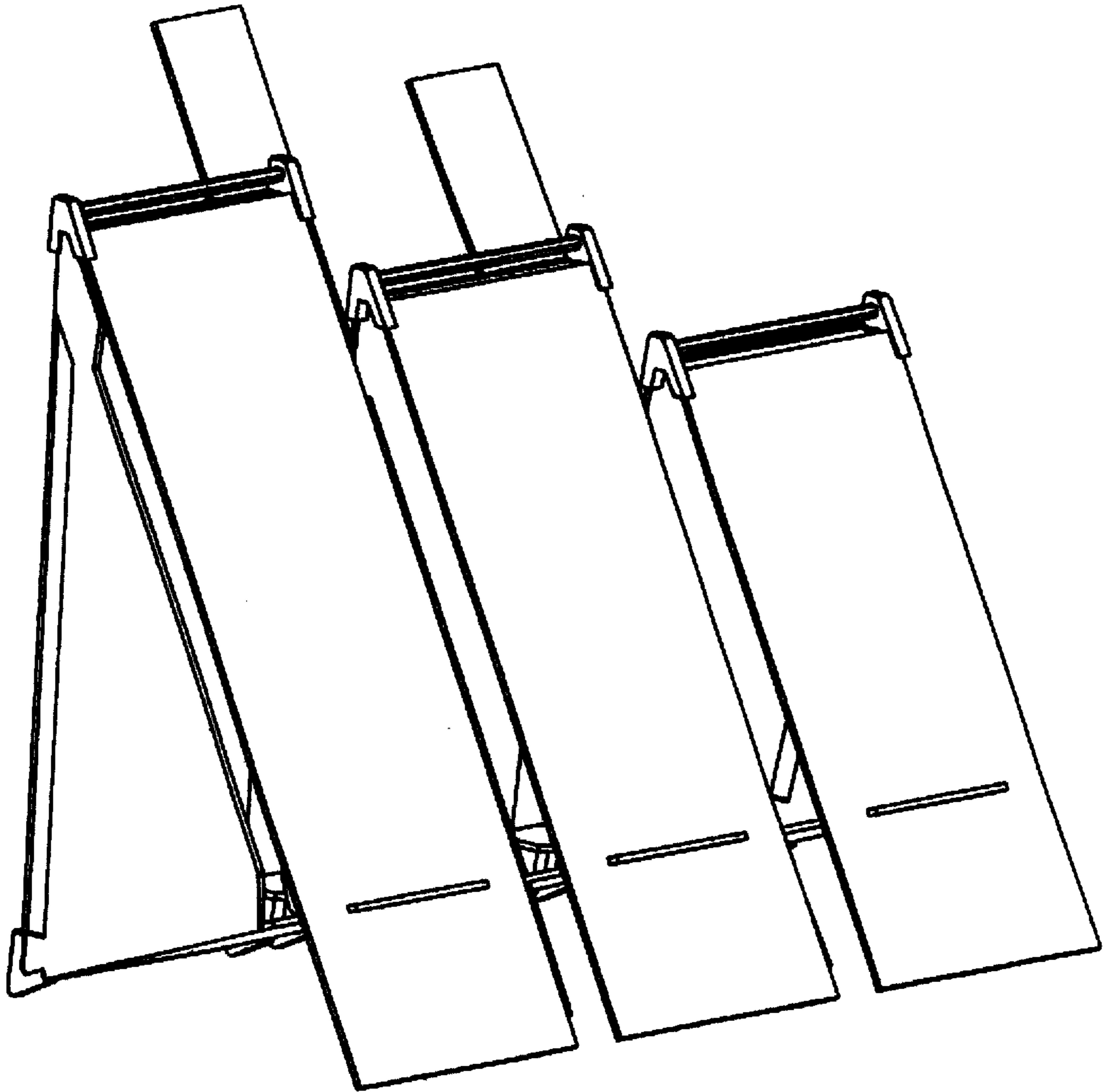
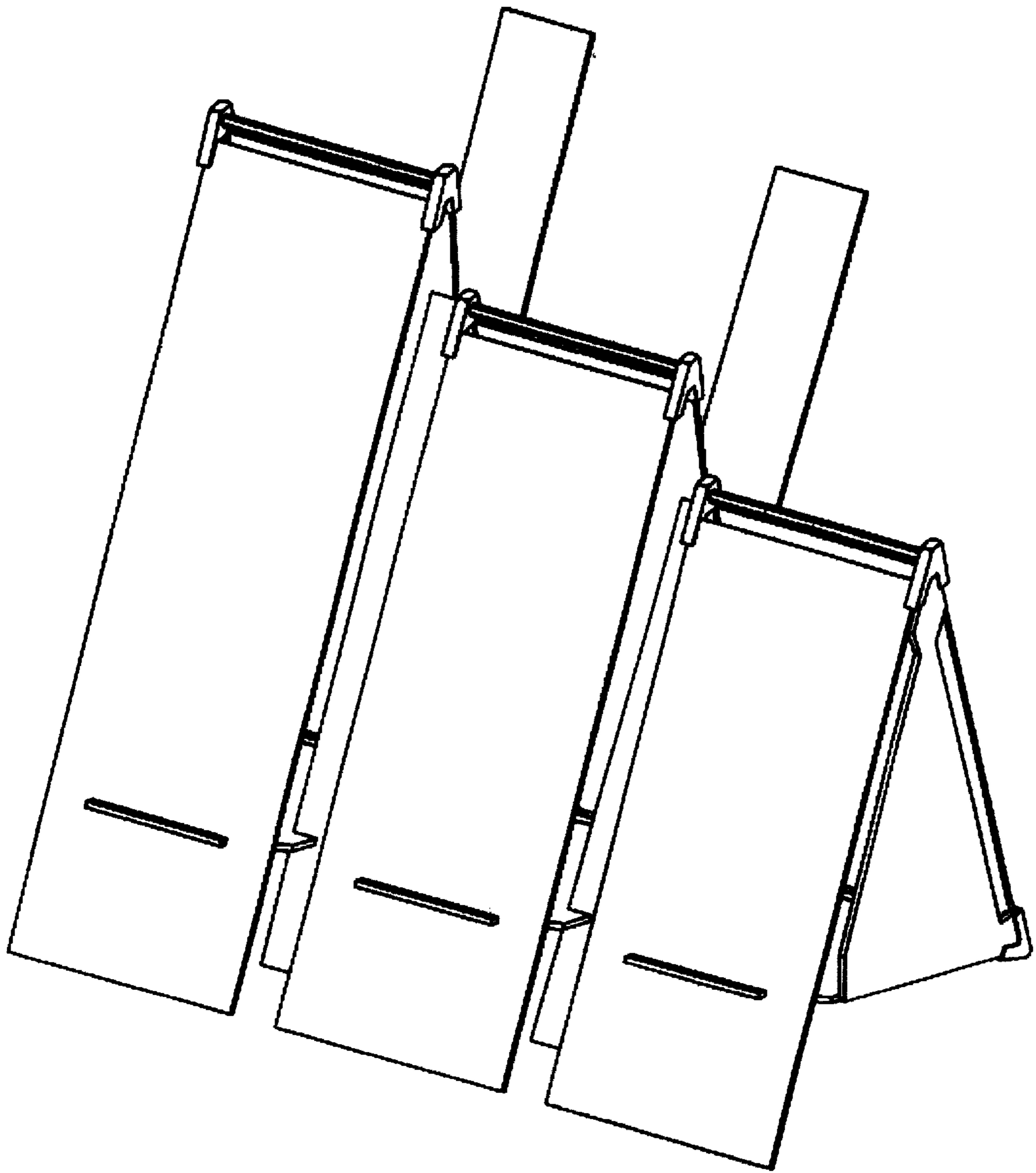


FIGURE 9





**FIGURE 10**



**FIGURE 11**