



US00D388525S

# United States Patent [19]

[11] Patent Number: **Des. 388,525**

Lowell et al.

[45] Date of Patent: **\*\*Dec. 30, 1997**

## [54] LIGHT

[75] Inventors: **Ross Lowell**, Stamford, Conn.; **Marvin Seligman**, Teaneck, N.J.; **Apiruk Pronputhsri**, Ratburi, Thailand; **Chi Yu**, Brooklyn, N.Y.; **Brian Ellis**, Orange Park, Fla.

[73] Assignee: **Lowel-Light Manufacturing, Inc.**, Brooklyn, N.Y.

[\*\*] Term: **14 Years**

[21] Appl. No.: **65,058**

[22] Filed: **Jan. 17, 1997**

[51] LOC (6) Cl. .... **26-03**

[52] U.S. Cl. .... **D26/63**

[58] Field of Search ..... **D26/63, 61, 62, D26/64, 65, 66; 362/269, 275, 287, 418, 419, 427**

## [56] References Cited

### U.S. PATENT DOCUMENTS

D. 260,300 8/1981 Aron ..... D26/63  
D. 271,043 10/1983 Parker ..... D26/63

## OTHER PUBLICATIONS

Max Halogen Lights catalog, p. 2, spotlight #TR-27B, spotlight box, Jul. 1989.

*Primary Examiner*—Susan J. Lucas  
*Attorney, Agent, or Firm*—Notaro & Michalos

## [57] CLAIM

The ornamental design for a light, as shown and described.

## DESCRIPTION

FIG. 1 is a front top right perspective view of the light showing my new design;

FIG. 2 is a top plan view thereof;

FIG. 3 is a left side elevational view thereof;

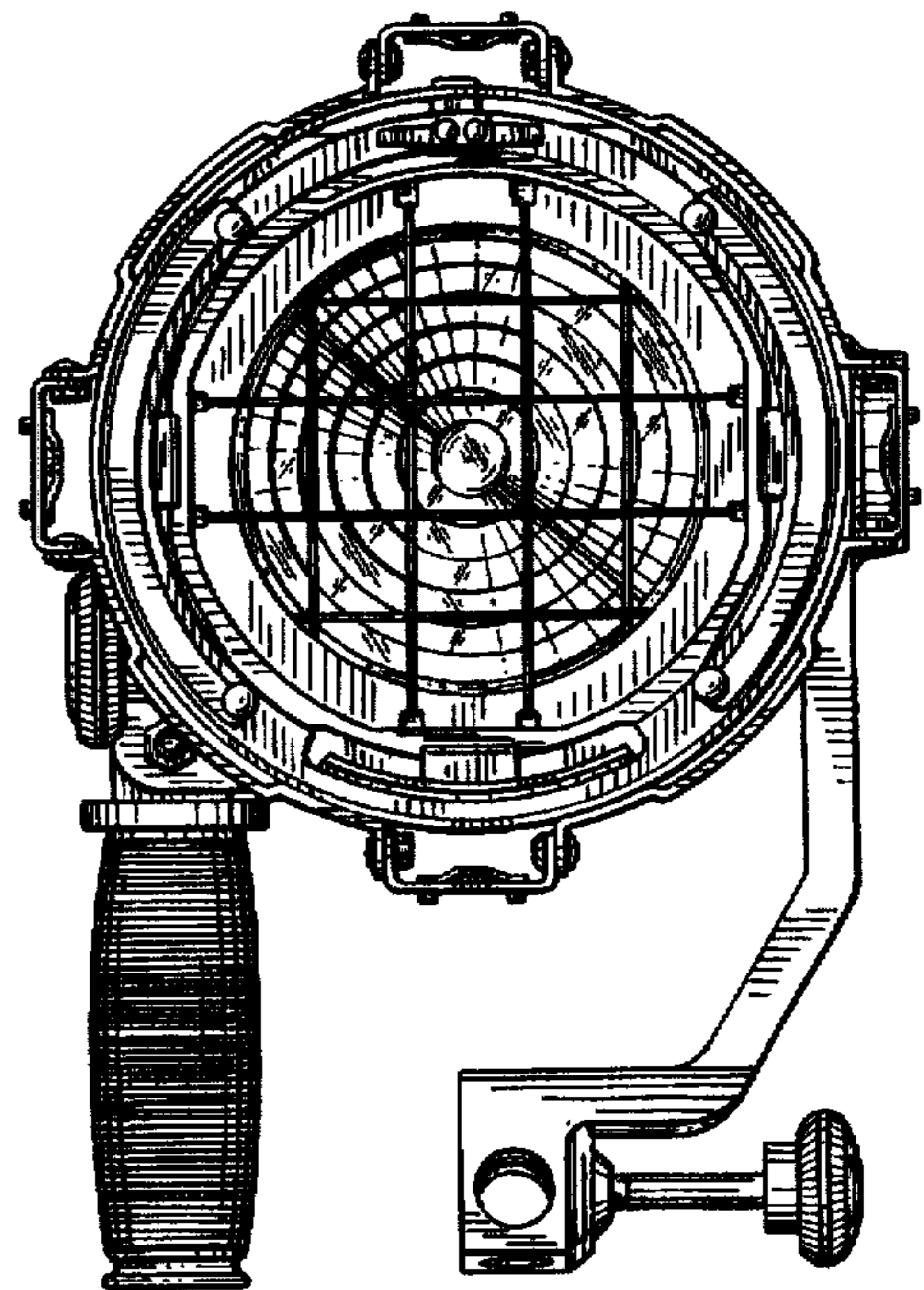
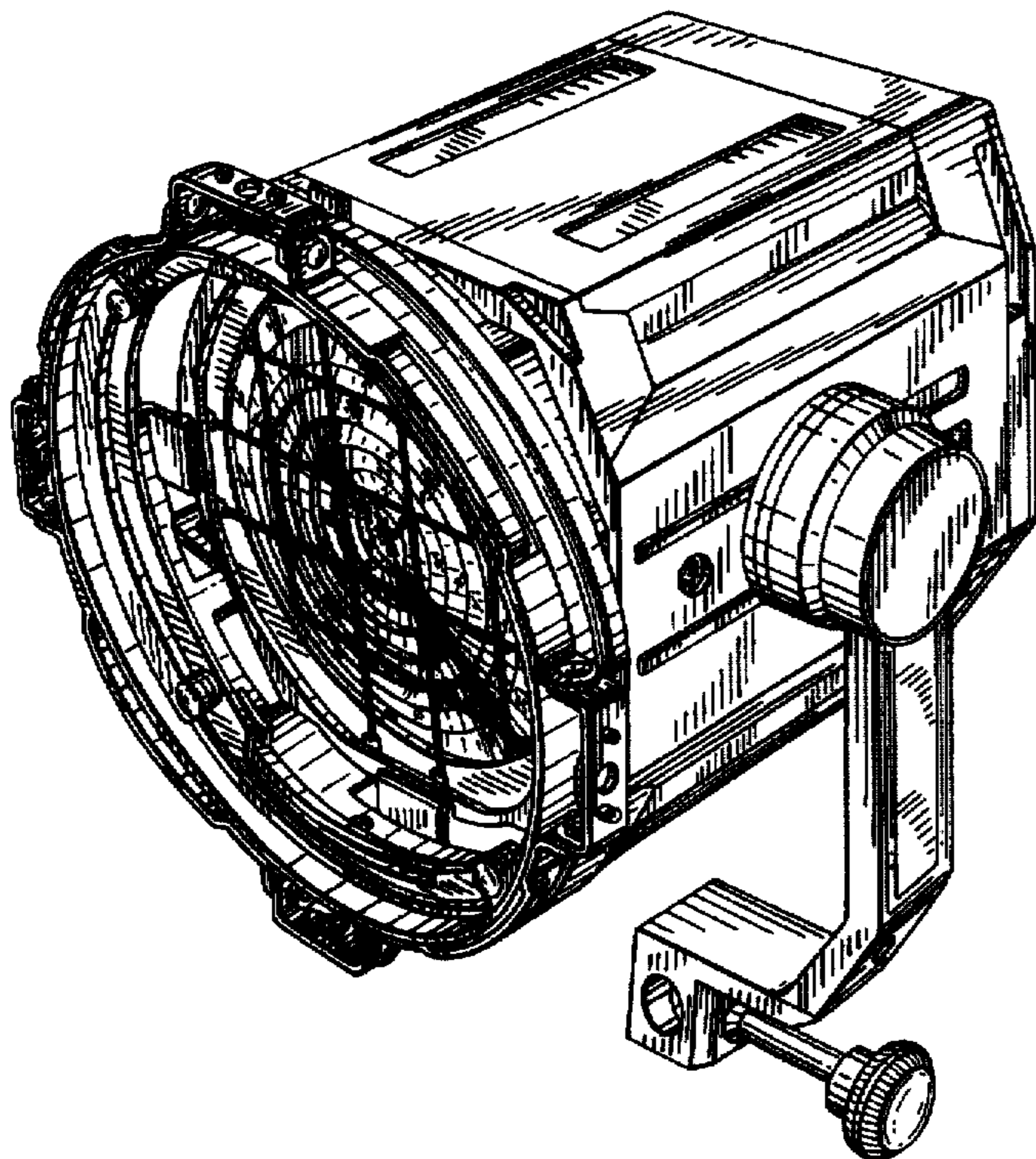
FIG. 4 is a front elevational view thereof;

FIG. 5 is a right, side elevational view thereof;

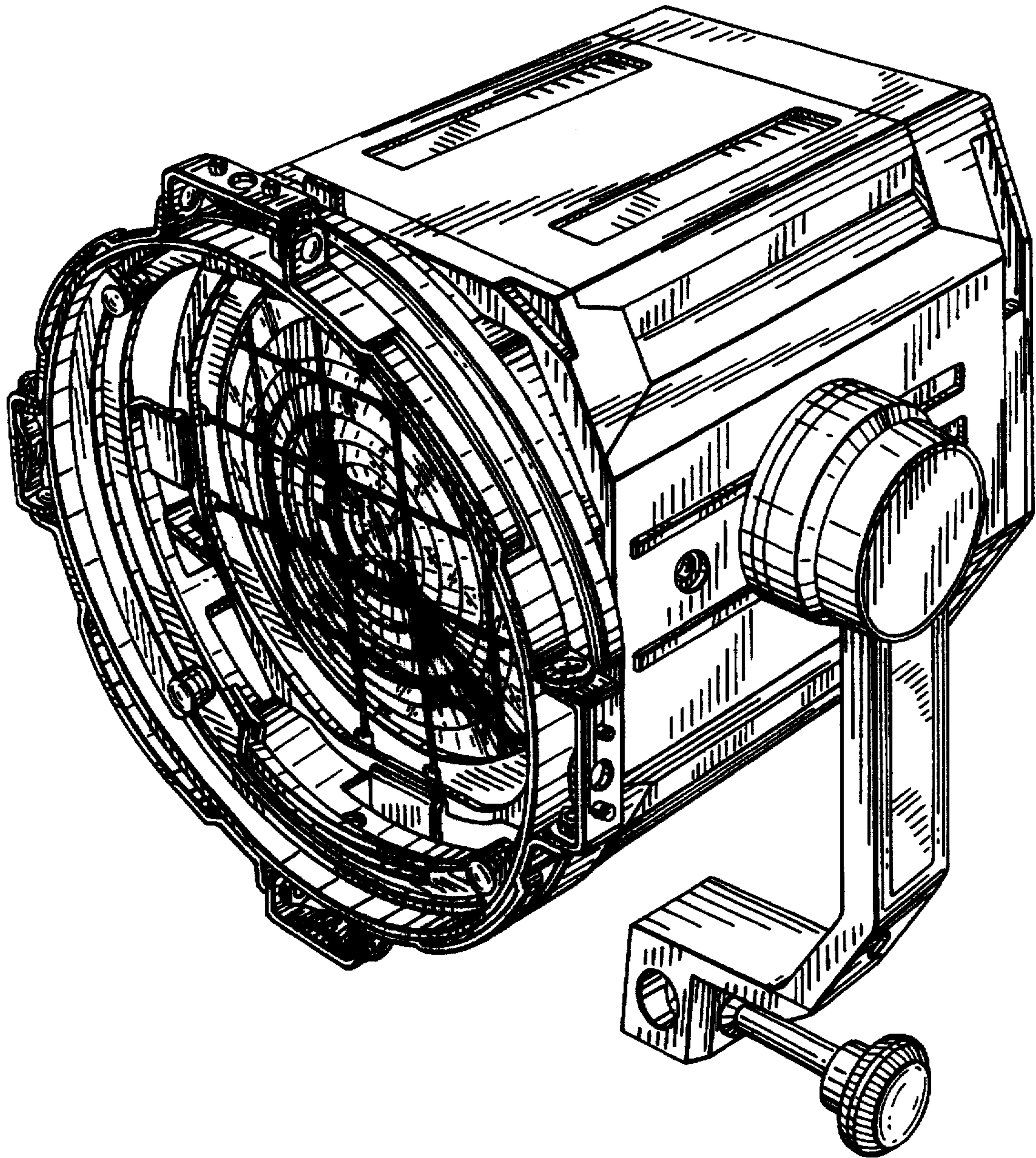
FIG. 6 is a rear elevational view thereof design; and,

FIG. 7 is a bottom plan view thereof.

**1 Claim, 5 Drawing Sheets**



*FIG. 1*



*FIG. 2*

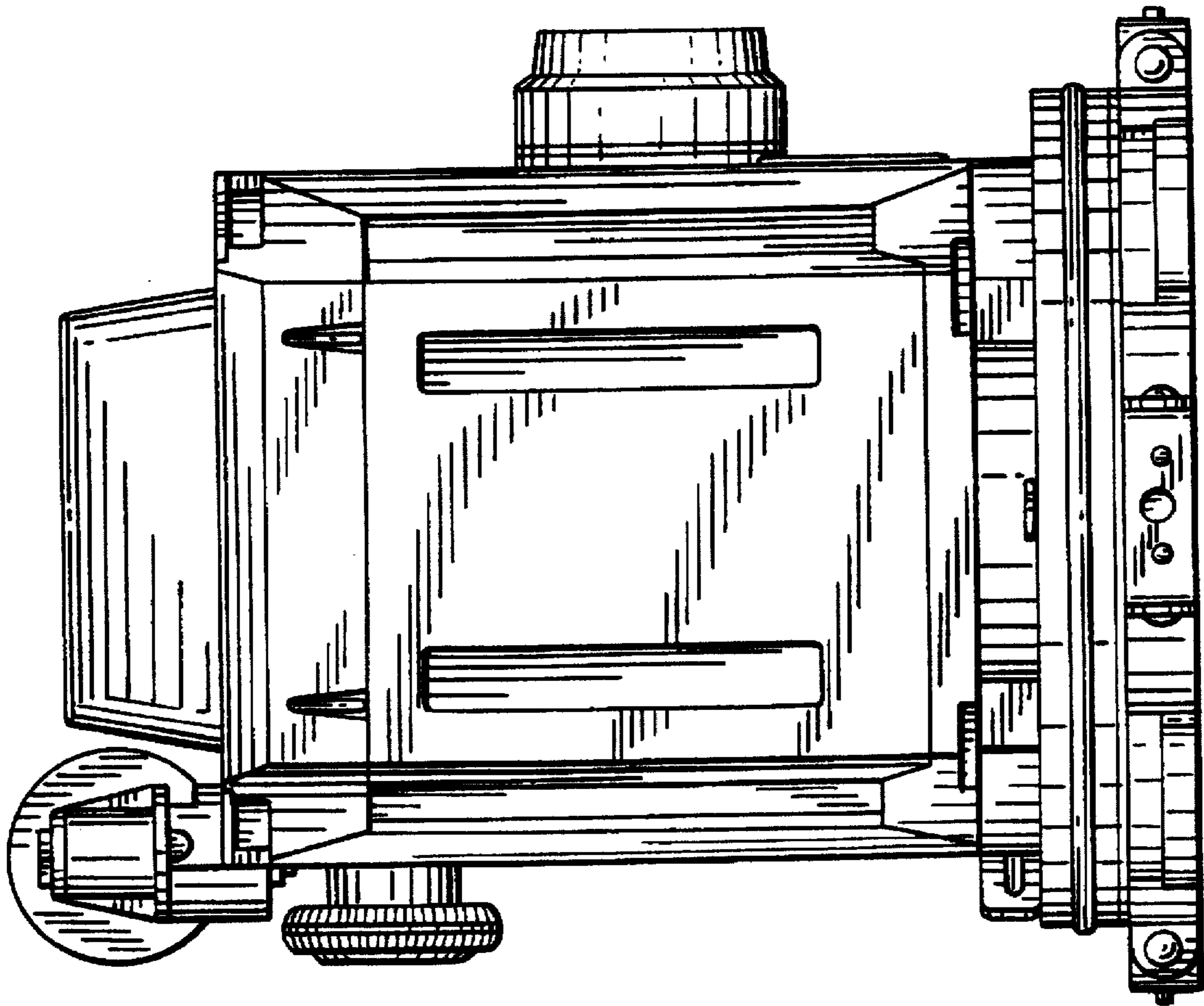
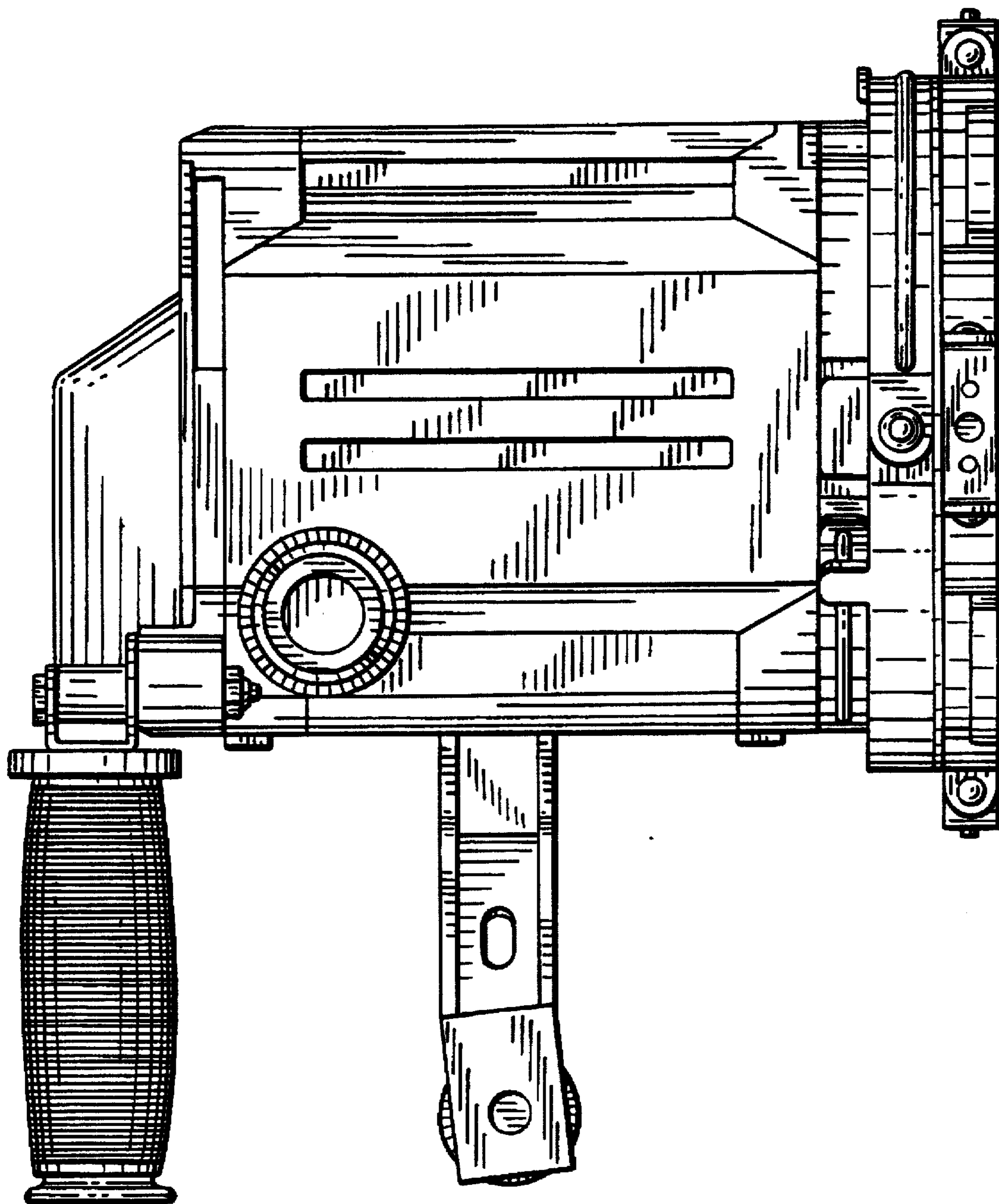
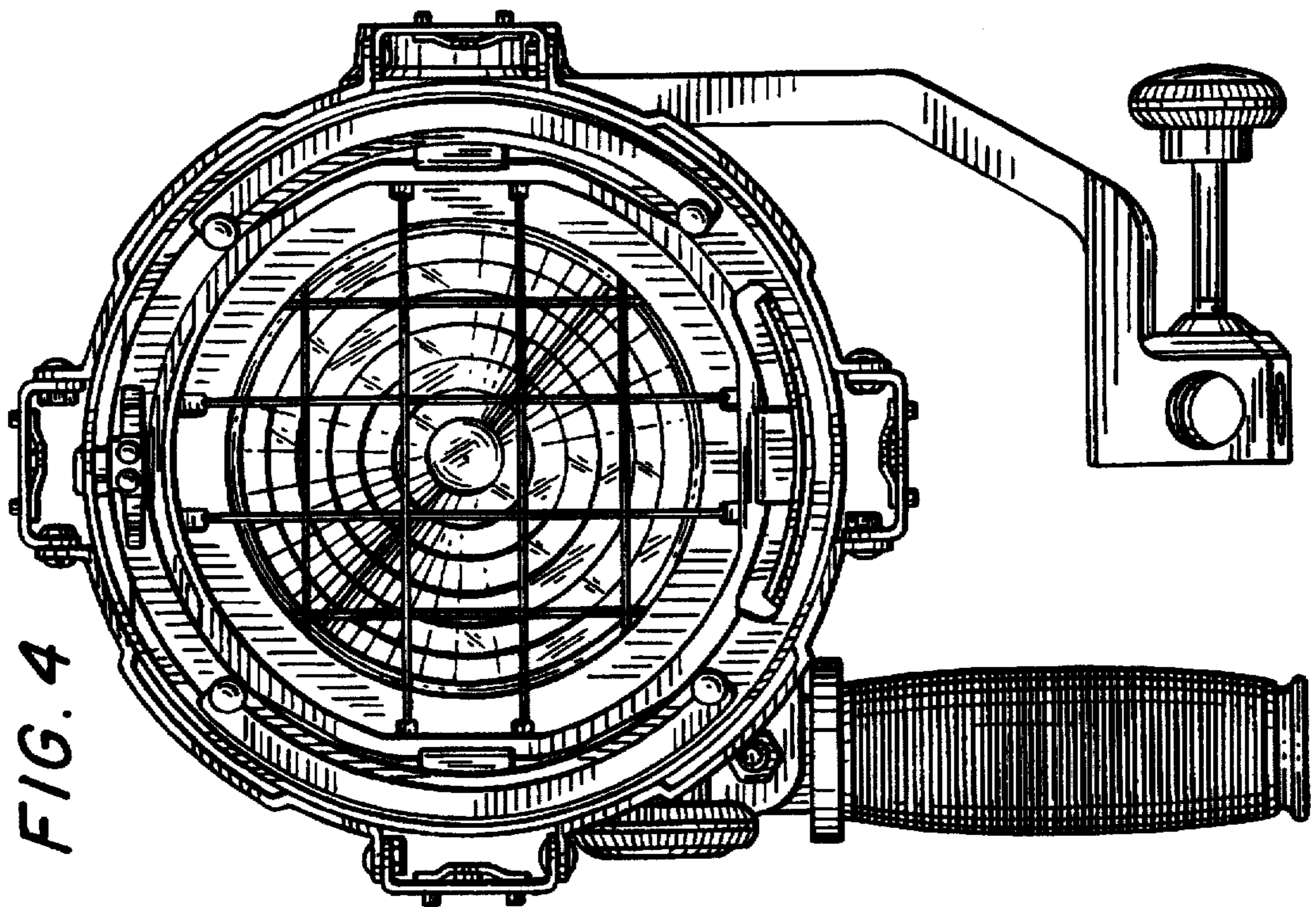
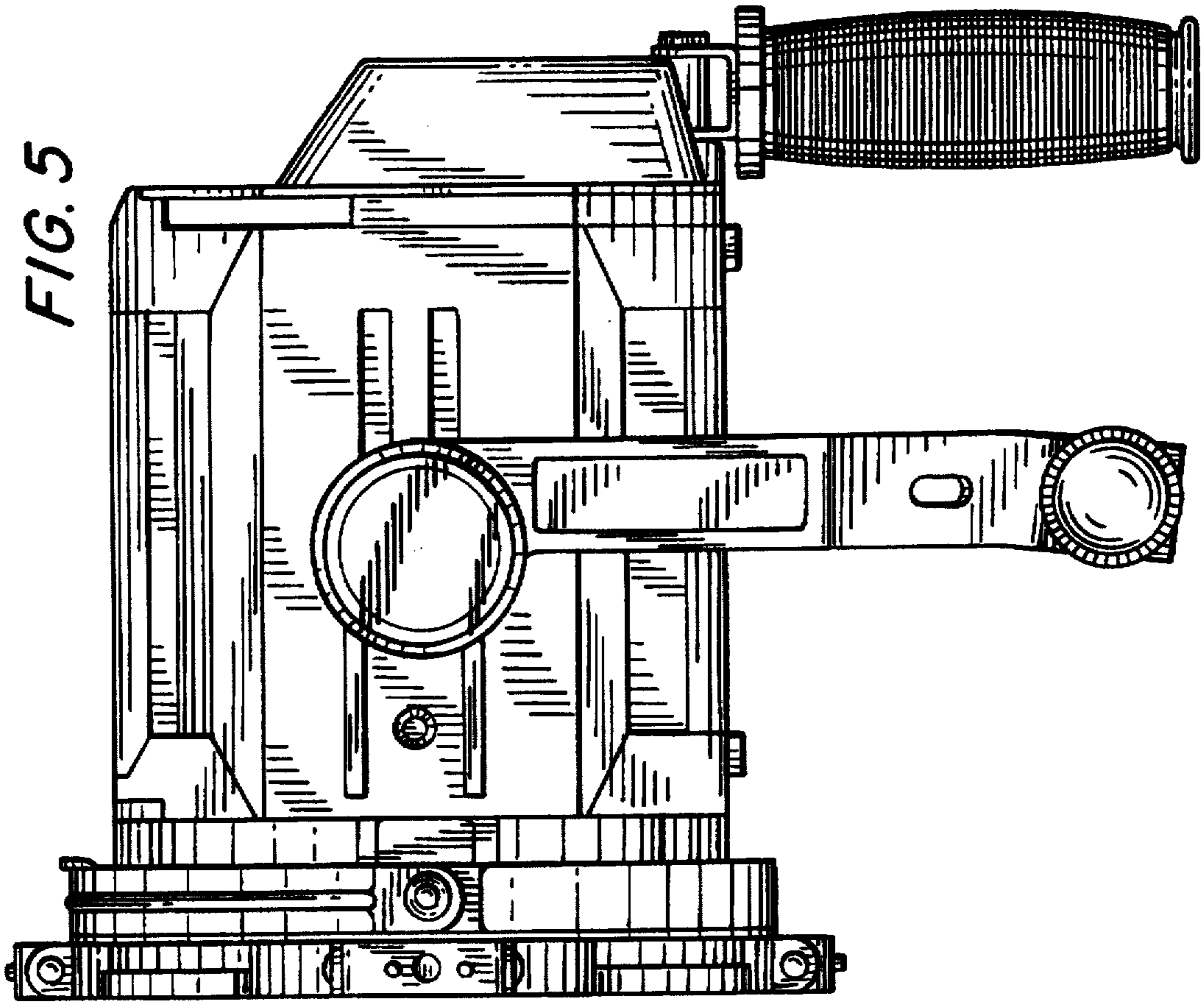


FIG. 3





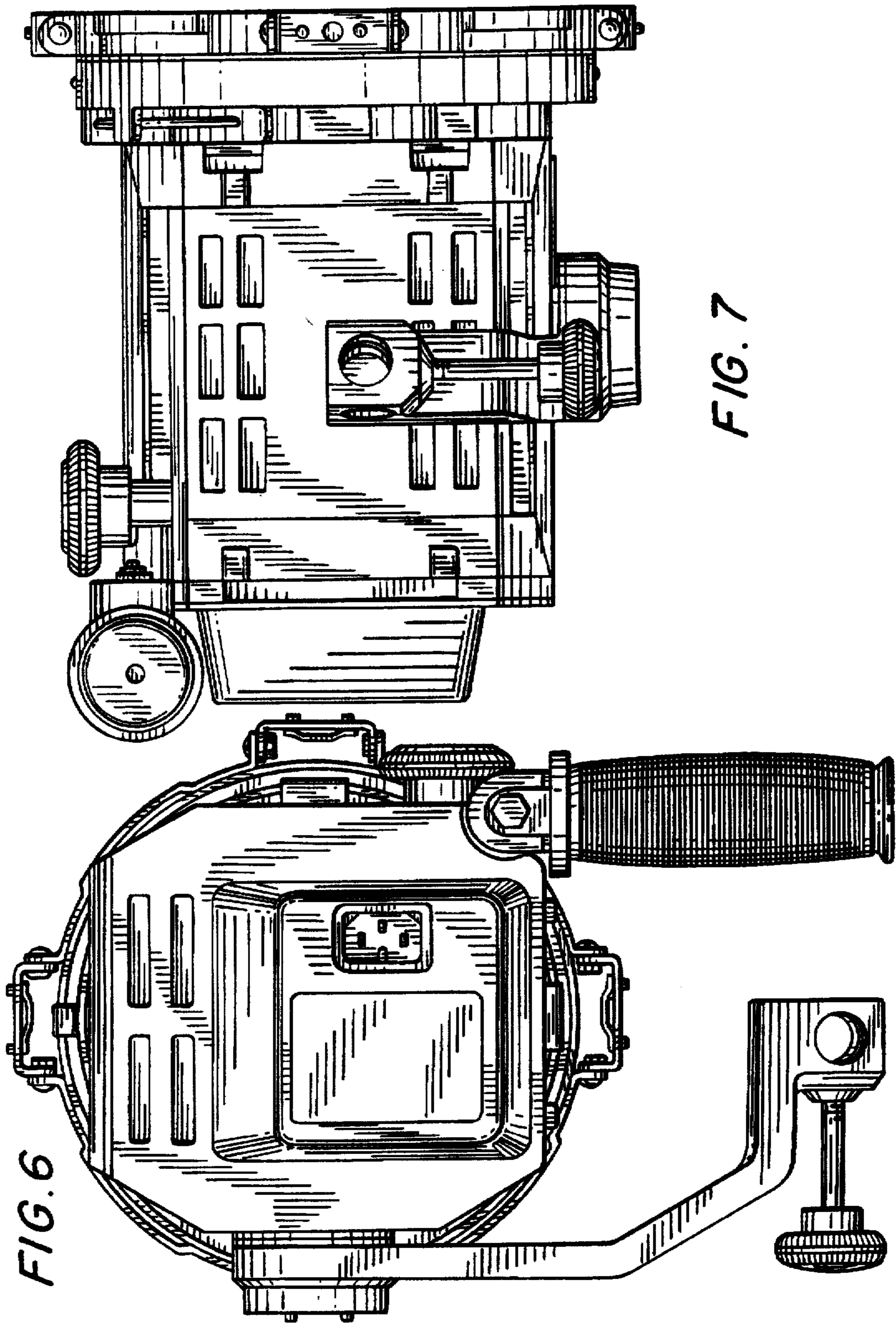


FIG. 6

FIG. 7