



US00D388523S

# United States Patent [19]

Austin

[11] Patent Number: Des. 388,523

[45] Date of Patent: \*\*Dec. 30, 1997

[54] LIGHT FIXTURE FOR RECREATIONAL VEHICLES

[75] Inventor: Barry G. Austin, Marshall, Mich.

[73] Assignee: Tekonsha Engineering Company, Tekonsha, Mich.

[\*\*] Term: 14 Years

[21] Appl. No.: 64,504

[22] Filed: Jan. 3, 1997

[51] LOC (6) Cl. .... 26-06

[52] U.S. Cl. .... D26/28

[58] Field of Search ..... D26/28-35, 72, D26/74, 80-92; 362/61, 74, 80, 275, 269, 268, 329, 330, 331, 336, 372, 364, 432

### [56] References Cited

#### U.S. PATENT DOCUMENTS

D. 315,216	3/1991	Kelley et al. ....	D26/28
D. 326,926	6/1992	Stephenson .	
D. 363,999	11/1995	Taylor et al. ....	D26/28
D. 369,224	4/1996	Karlo et al. ....	D26/28
D. 376,437	12/1996	Karlo et al. ....	D26/28
3,501,599	3/1970	Horecky .	
3,792,250	2/1974	Kilbourn et al. .	
3,833,784	9/1974	Bobel et al. .	
4,128,745	12/1978	Marsilio et al. .	
4,316,067	2/1982	Whiteman, Jr. .	
4,404,619	9/1983	Ferguson .	
4,872,099	10/1989	Kelley et al. .	

#### OTHER PUBLICATIONS

The Bargman Product Specification Catalog; By The Bargman Company; Jun. 1992, Cover and p. 31.  
The Bargman Product Specification Catalog; By Bargman; 1995; Cover and p. 7.

Bargman Exterior Porch & Utility Lights Advertisement; By Theodore Bargman Company; Undated prior to Jan. 1997.

Primary Examiner—Marcus A. Jackson  
Attorney, Agent, or Firm—Price, Heneveld, Cooper, DeWitt & Litton

### [57] CLAIM

The ornamental design for the light fixture for recreational vehicles, as shown and described.

### DESCRIPTION

FIG. 1 is a perspective view of a light fixture embodying the design;

FIG. 2 is a top plan view thereof;

FIG. 3 is a side elevation thereof;

FIG. 4 is a front elevation thereof;

FIG. 5 is a rear elevation thereof;

FIG. 6 is a bottom plan view thereof;

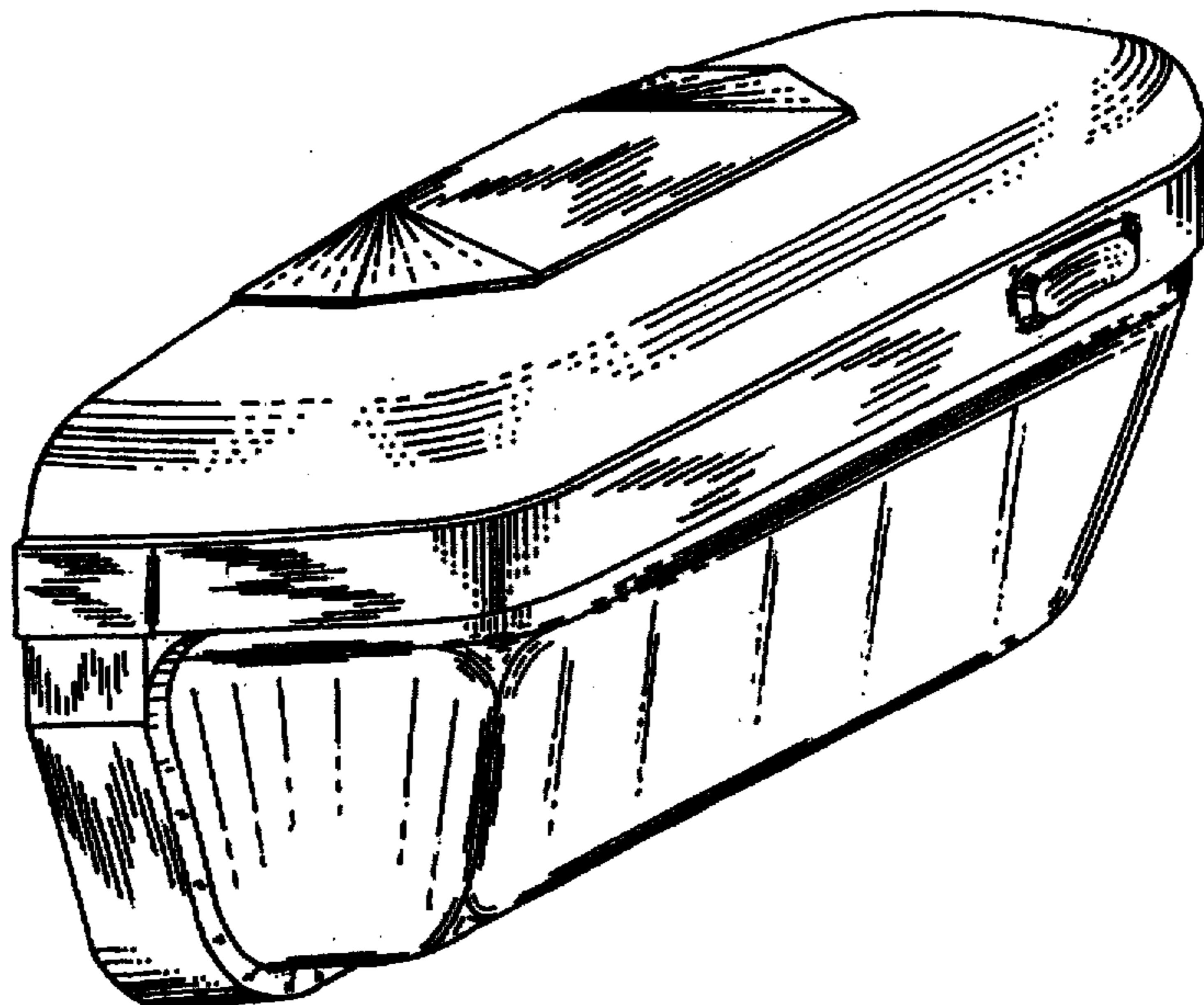
FIG. 7 is a front elevation showing a second embodiment thereof;

FIG. 8 is a bottom plan view of the embodiment shown in FIG. 7; and,

FIG. 9 is a perspective view thereof.

The side opposite FIG. 3 is a mirror image of that figure. The embodiments of FIGS. 7, 8 and 9 is identical to that shown in FIGS. 1-6 inclusive, except for the rectangular area at the bottom of the lens, which depicts the outer visual appearance of a series of adjacent angular surfaces in the lens.

1 Claim, 2 Drawing Sheets



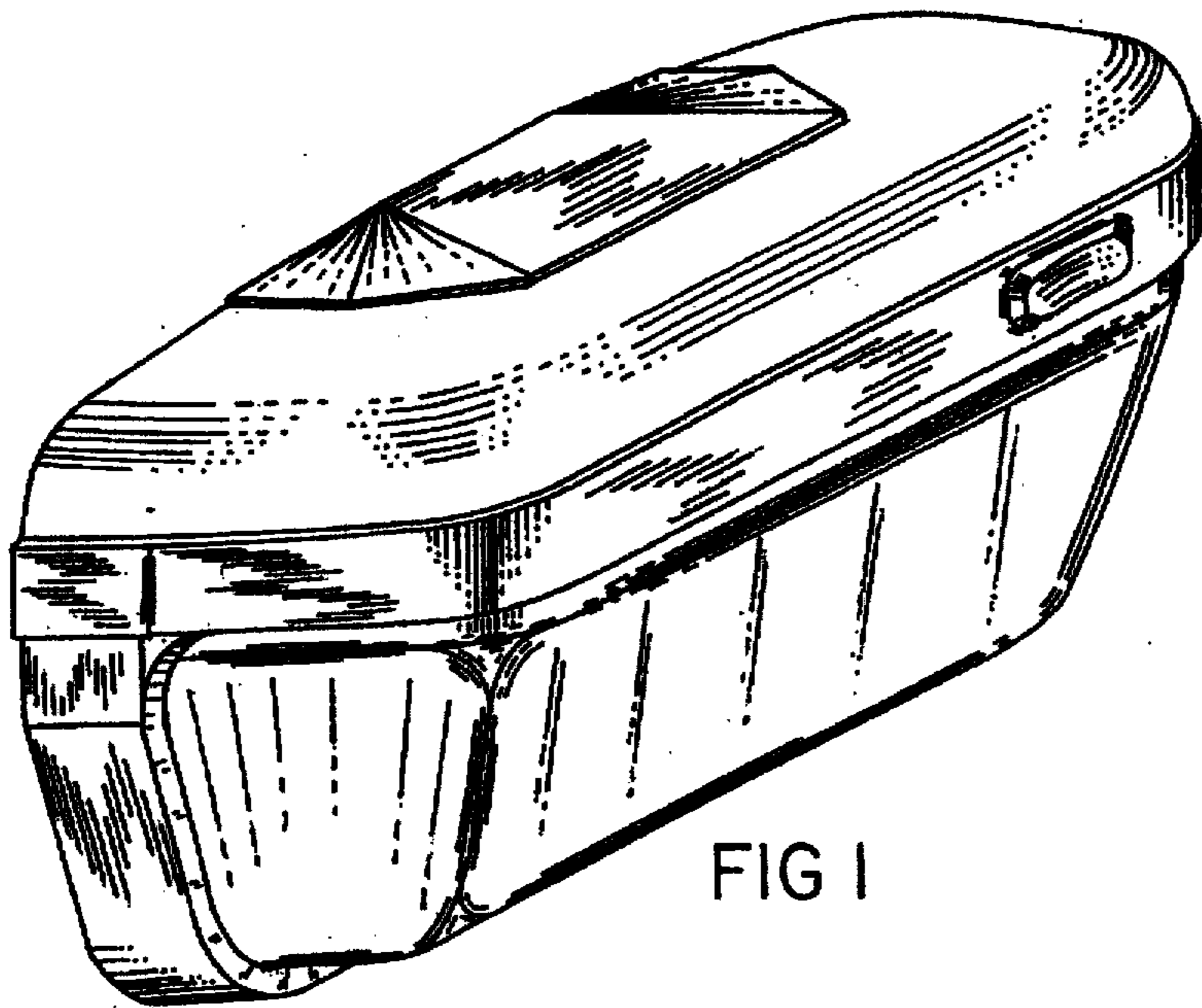


FIG 1

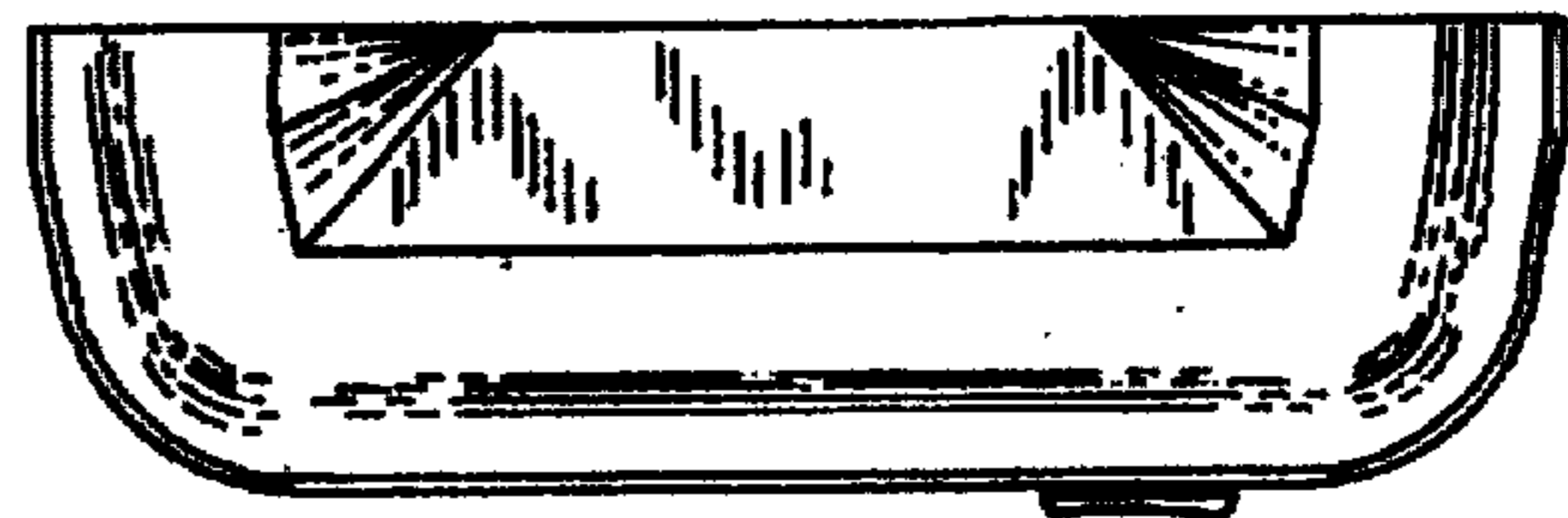


FIG 2

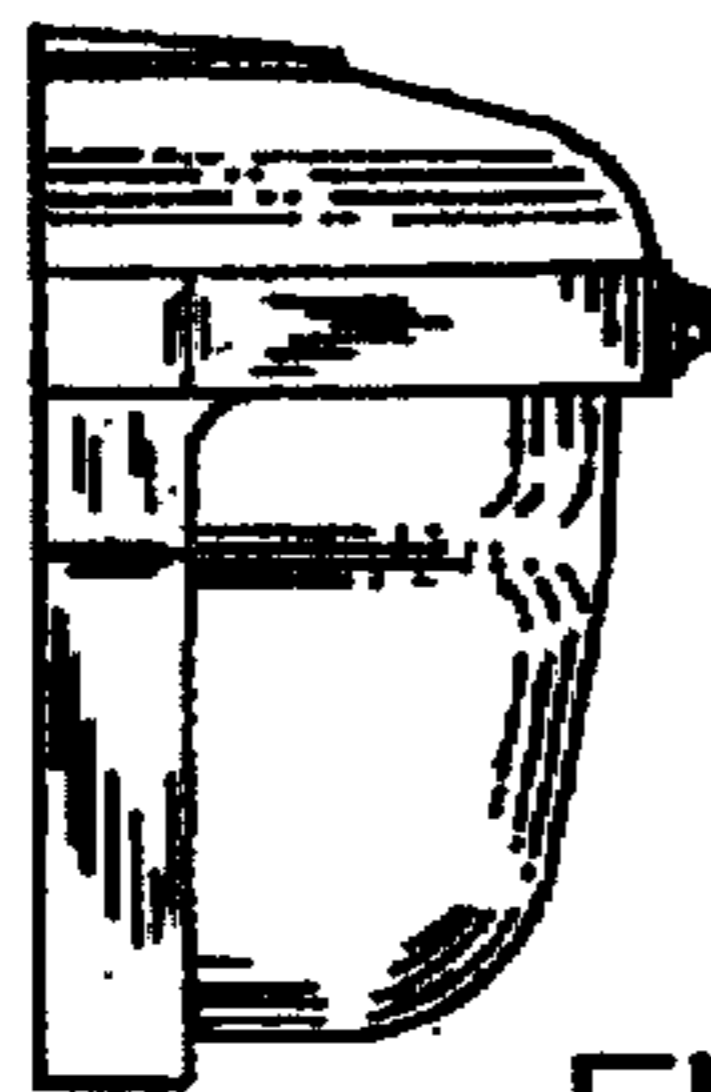


FIG 3

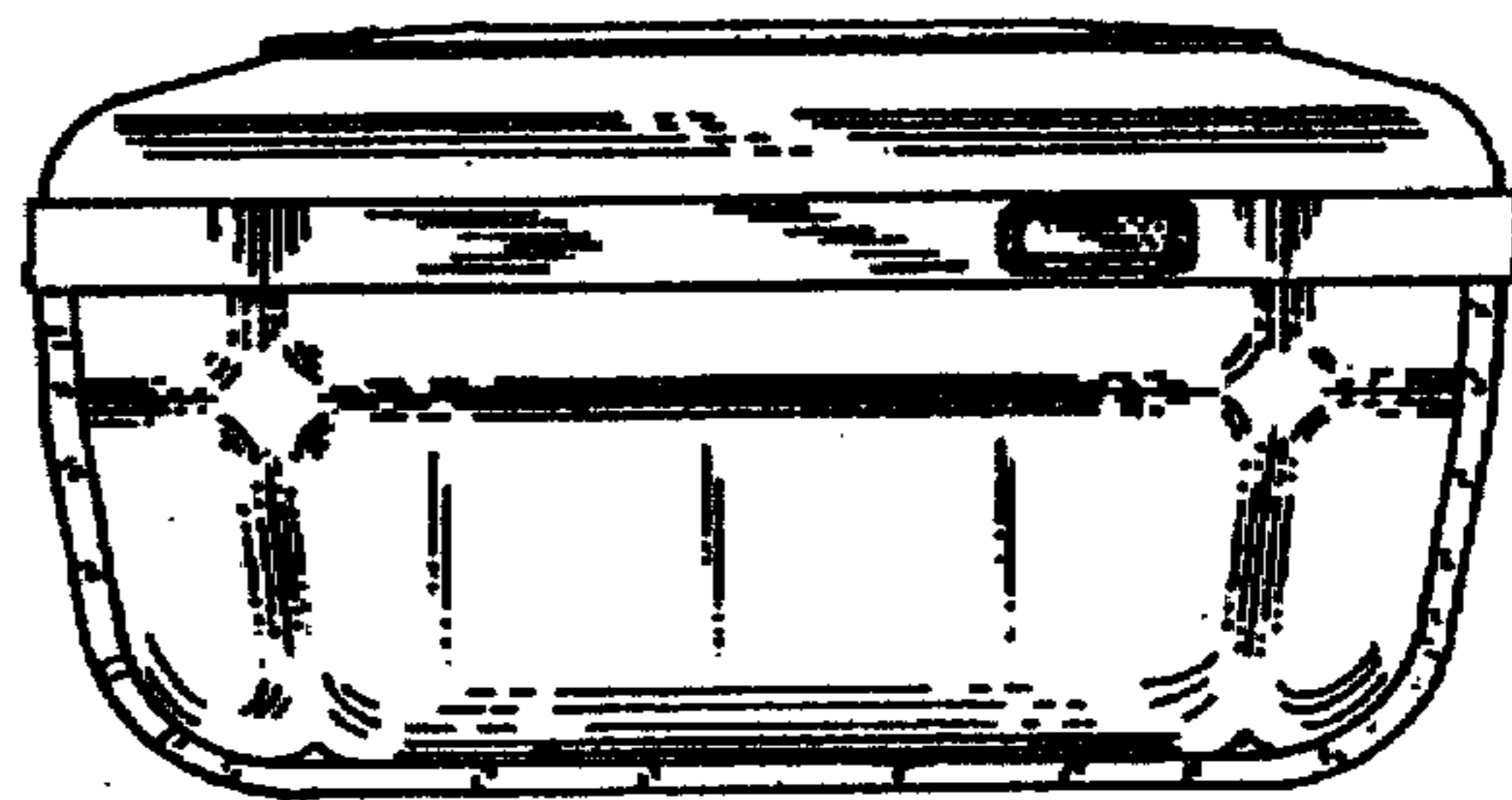


FIG 4

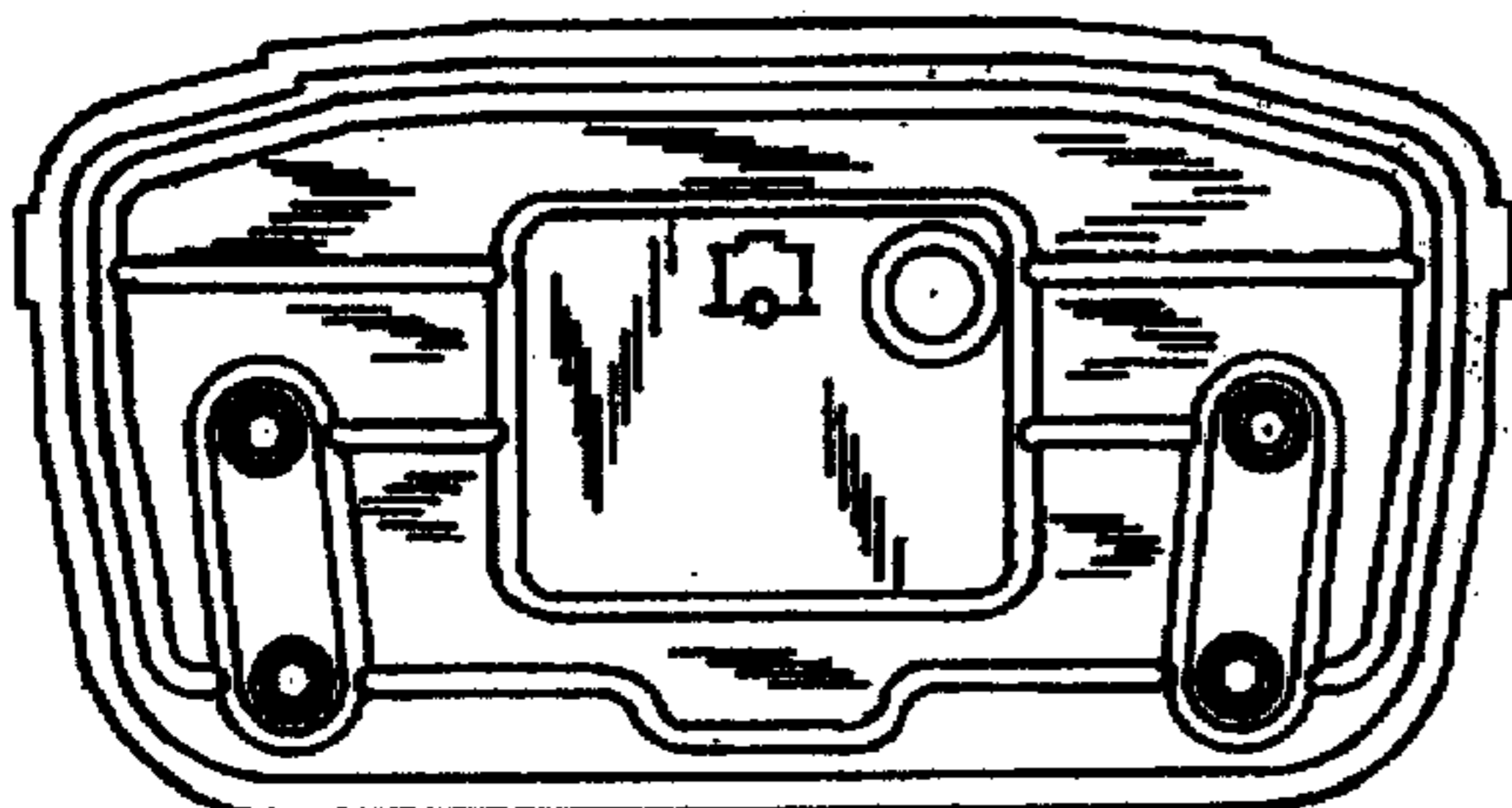


FIG 5

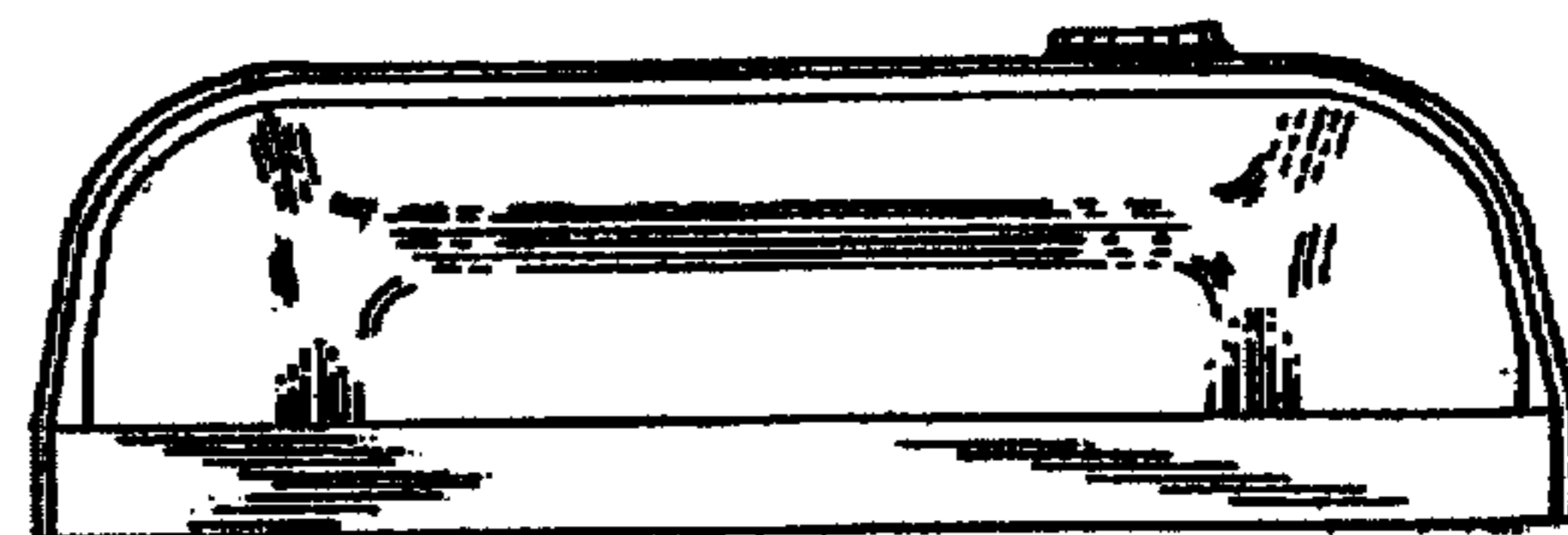


FIG 6

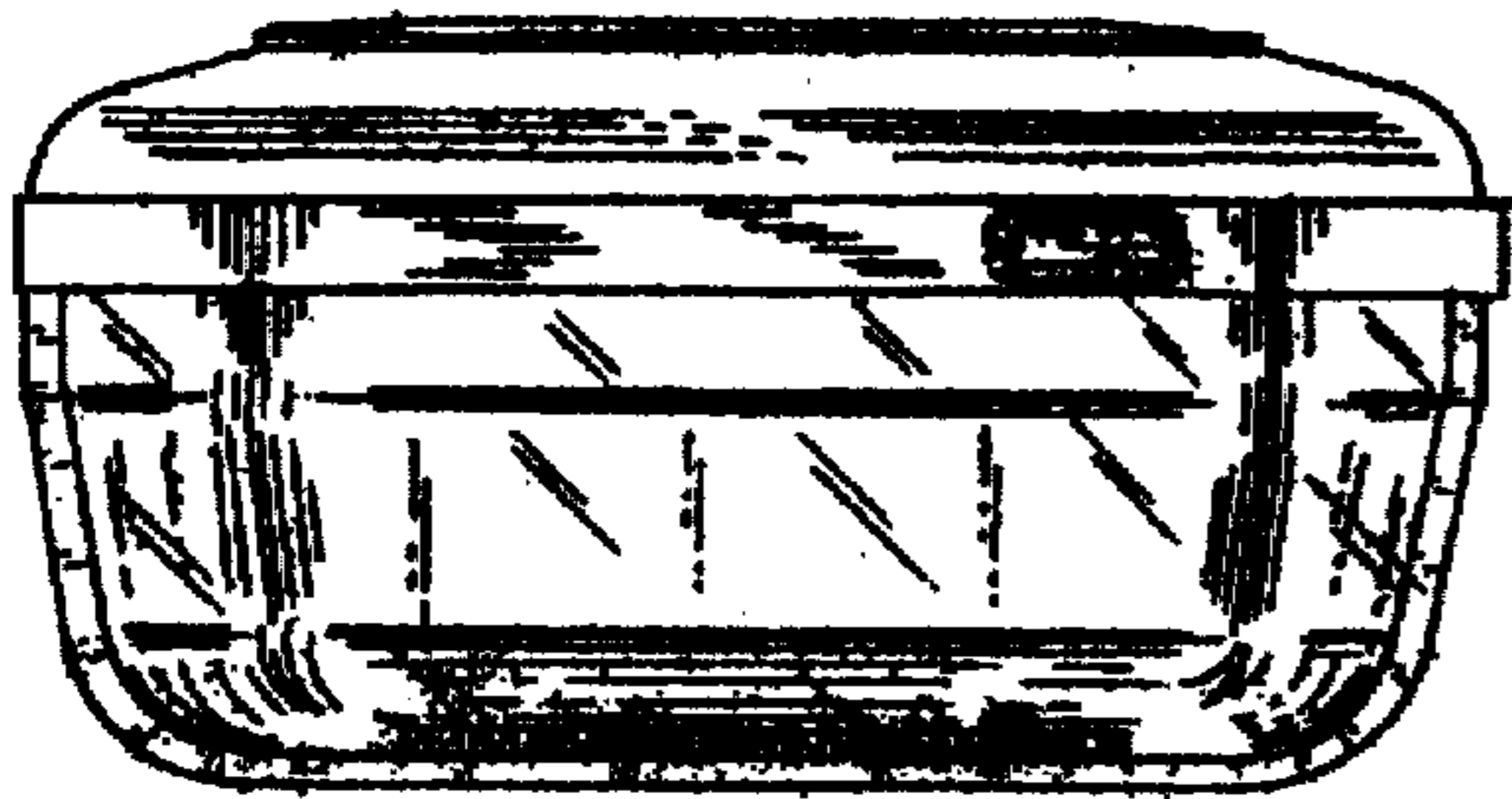


FIG 7

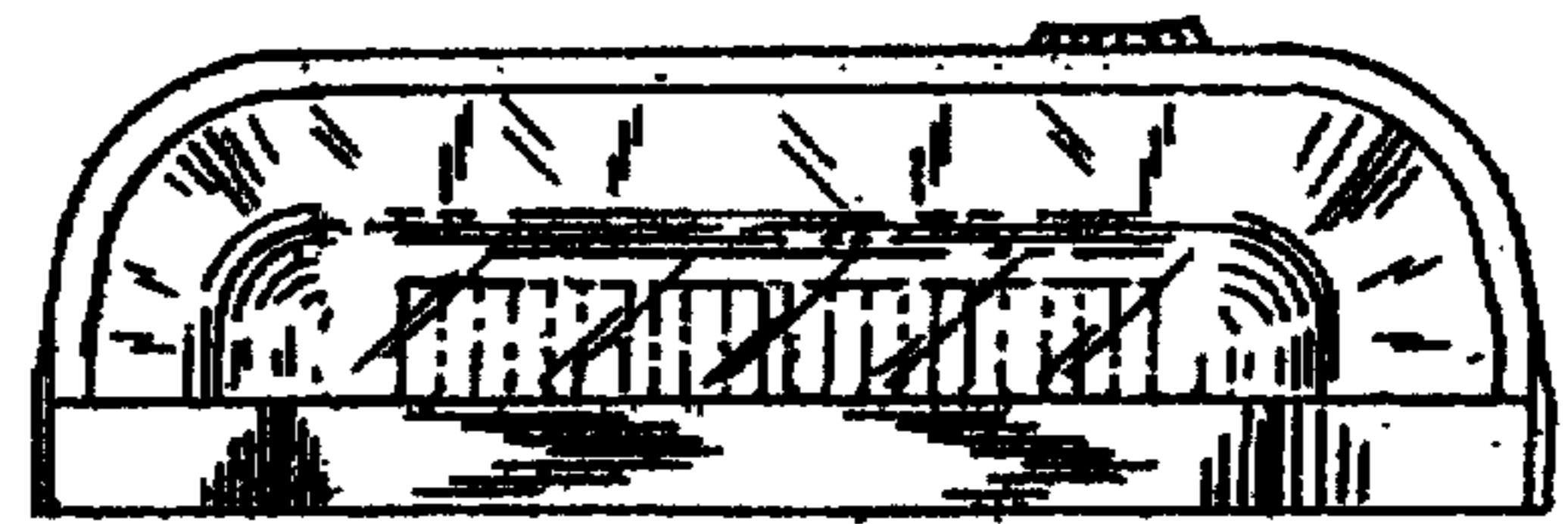


FIG 8

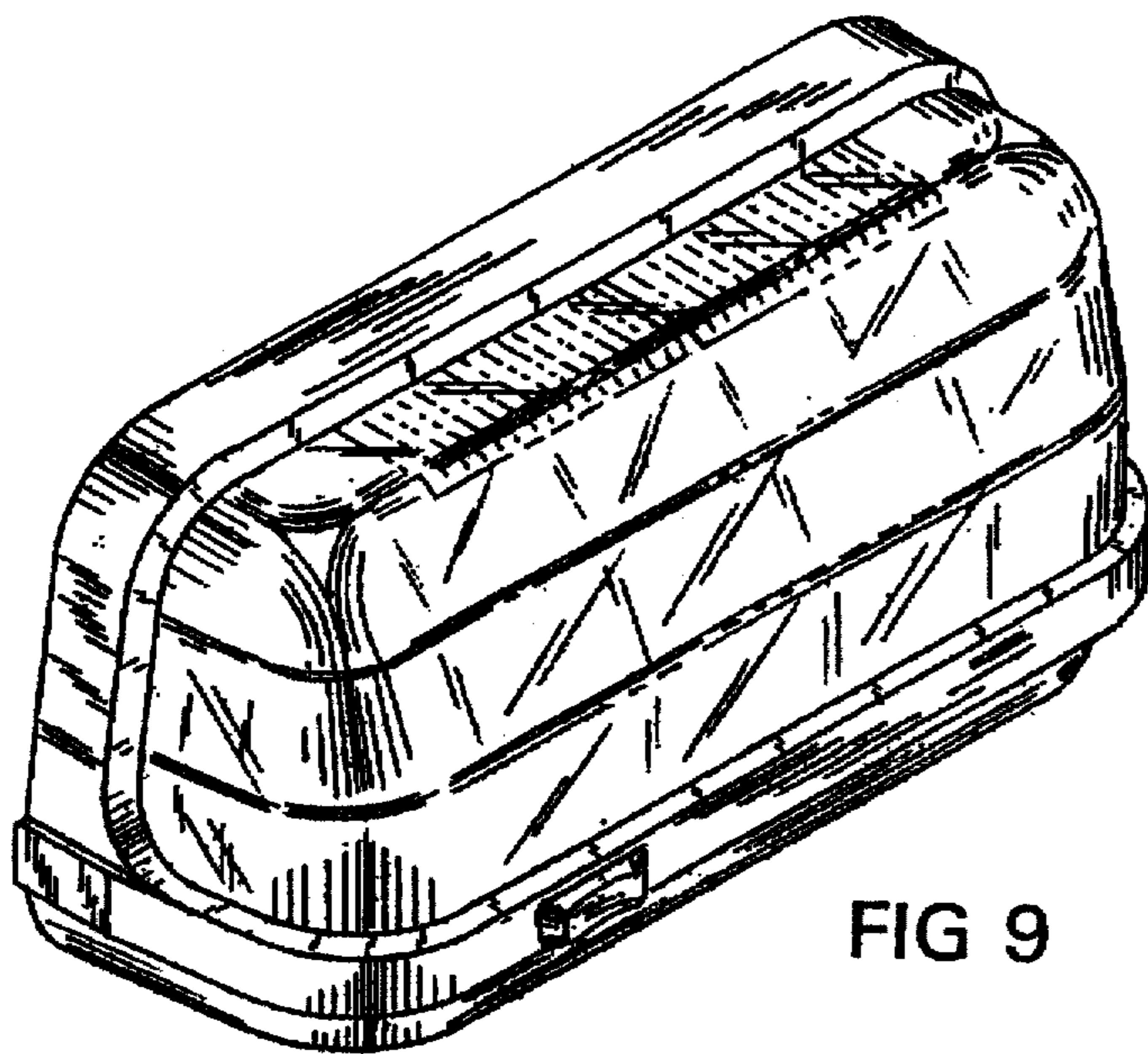


FIG 9