



US00D388521S

United States Patent [19]

Porter et al.

[11] Patent Number: **Des. 388,521**

[45] Date of Patent: ****Dec. 30, 1997**

[54] WINDOW COMPONENT EXTRUSION

[75] Inventors: **Peggy O. Porter; Michael T. Chaney,**
both of Monroe, Ohio; **Harold**
Kuritzky, Hillside, N.J.

[73] Assignee: **Dayton Technologies, Inc.,** Monroe,
Ohio

[**] Term: **14 Years**

[21] Appl. No.: **63,354**

[22] Filed: **Nov. 15, 1996**

[51] LOC (6) Cl. **25-01**

[52] U.S. Cl. **D25/124**

[58] Field of Search **D25/52, 119-125;**
49/501, 504, DIG. 2; 52/474, 475, 476,
204.5, 204.56, 204.51, 204.1, 230.3

[56] References Cited

U.S. PATENT DOCUMENTS

- D. 324,919 3/1992 Dallaire et al. D25/124
- D. 343,462 1/1994 Cole D25/124
- D. 358,667 5/1995 Franson D25/124

Primary Examiner—Doris Clark

Attorney, Agent, or Firm—Jacox, Meckstroth & Jenkins

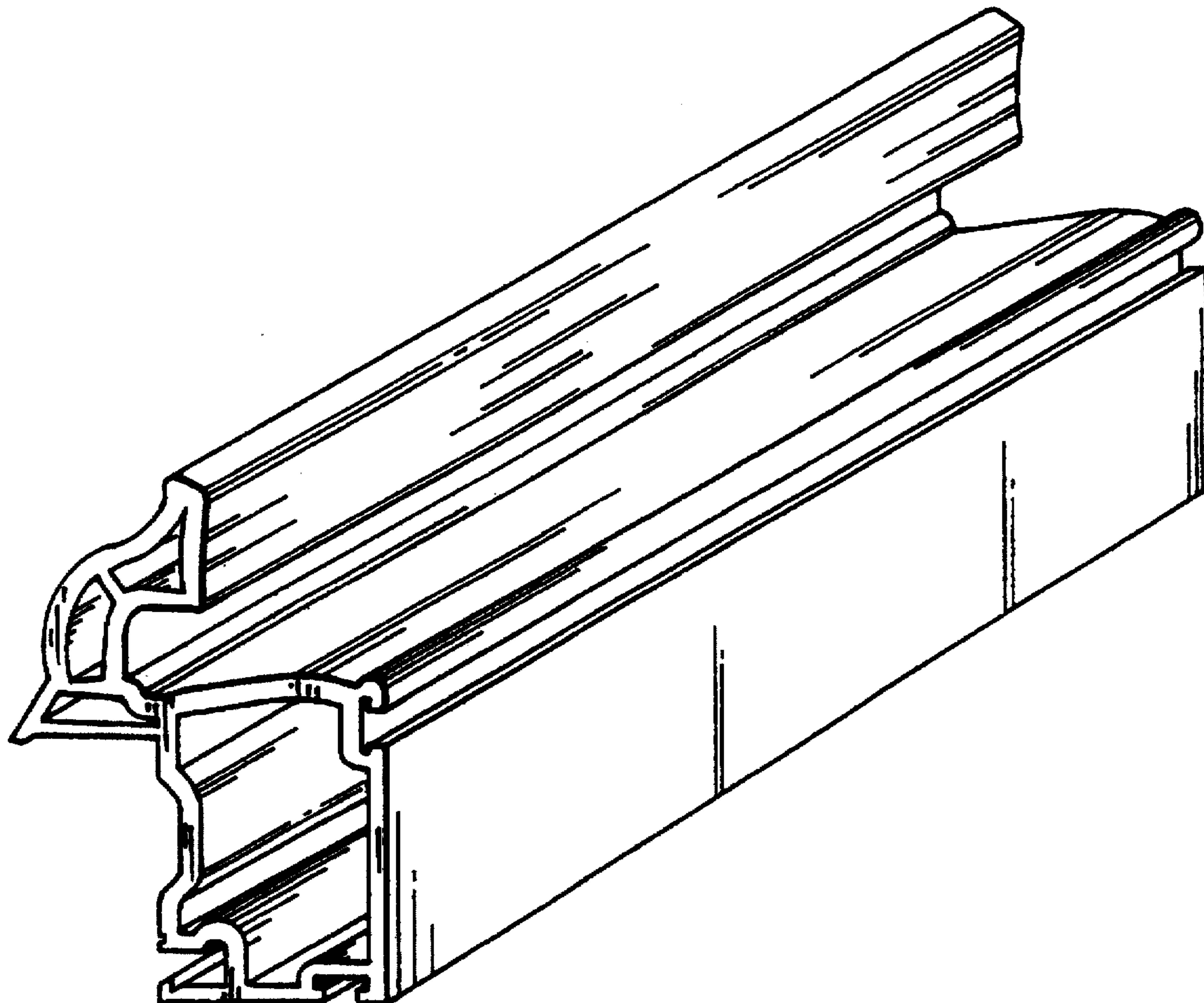
[57] CLAIM

The ornamental design for a window component extrusion,
as shown and described.

DESCRIPTION

The sole FIGURE is a front perspective view of a window
component extrusion showing our new design, the rear
perspective view being a mirror image thereof.

1 Claim, 1 Drawing Sheet



THE FIGURE

