



US00D388520S

United States Patent [19]

[11] Patent Number: **Des. 388,520**

Hoffman et al.

[45] Date of Patent: ****Dec. 30, 1997**

[54] **ADJUSTABLE SWIMMING POOL LADDER**

4,371,055 2/1983 Ashton et al. .
4,989,692 2/1991 Min .
5,154,257 10/1992 Mirles .
5,333,322 8/1994 Weir .

[75] Inventors: **Leland J. Hoffman**, deceased, late of Westfield Center, Ohio; **L. A. Stocking**, executor, Naples, Fla.

[73] Assignee: **Hercules Products, Inc.**, Brunswick, Ohio

Primary Examiner—Doris Clark
Attorney, Agent, or Firm—Pearne, Gordon, McCoy & Granger LLP

[**] Term: **14 Years**

[57] CLAIM

[21] Appl. No.: **54,145**

The ornamental design for an adjustable swimming pool ladder, as shown and described.

[22] Filed: **May 7, 1996**

DESCRIPTION

[51] LOC (6) Cl. **25-04**

[52] U.S. Cl. **D25/64**

[58] Field of Search D25/64; 182/194

FIG. 1 is a perspective view of an adjustable swimming pool ladder, showing my new design;
FIG. 2 is an exploded view thereof;
FIG. 3 is a fragmentary front elevational view thereof;
FIG. 4 is a fragmentary top plan view thereof;
FIG. 5 is a fragmentary side elevational view thereof;
FIG. 6 is a fragmentary back elevational view thereof;
FIG. 7 is a fragmentary bottom plan view thereof.

[56] References Cited

U.S. PATENT DOCUMENTS

D. 300,366	3/1989	Wallick, Jr. et al.	D25/64
2,827,216	3/1958	Napolitano .	
3,102,606	9/1963	Hopfeld .	
3,862,670	1/1975	Hovey .	
3,964,572	6/1976	Gannon .	
4,060,150	11/1977	Hughes	182/194
4,228,872	10/1980	Treitz	182/194

The broken lines showing a ladder and platform assembly is for illustrative purposes only and forms no part of the claimed design.

1 Claim, 4 Drawing Sheets

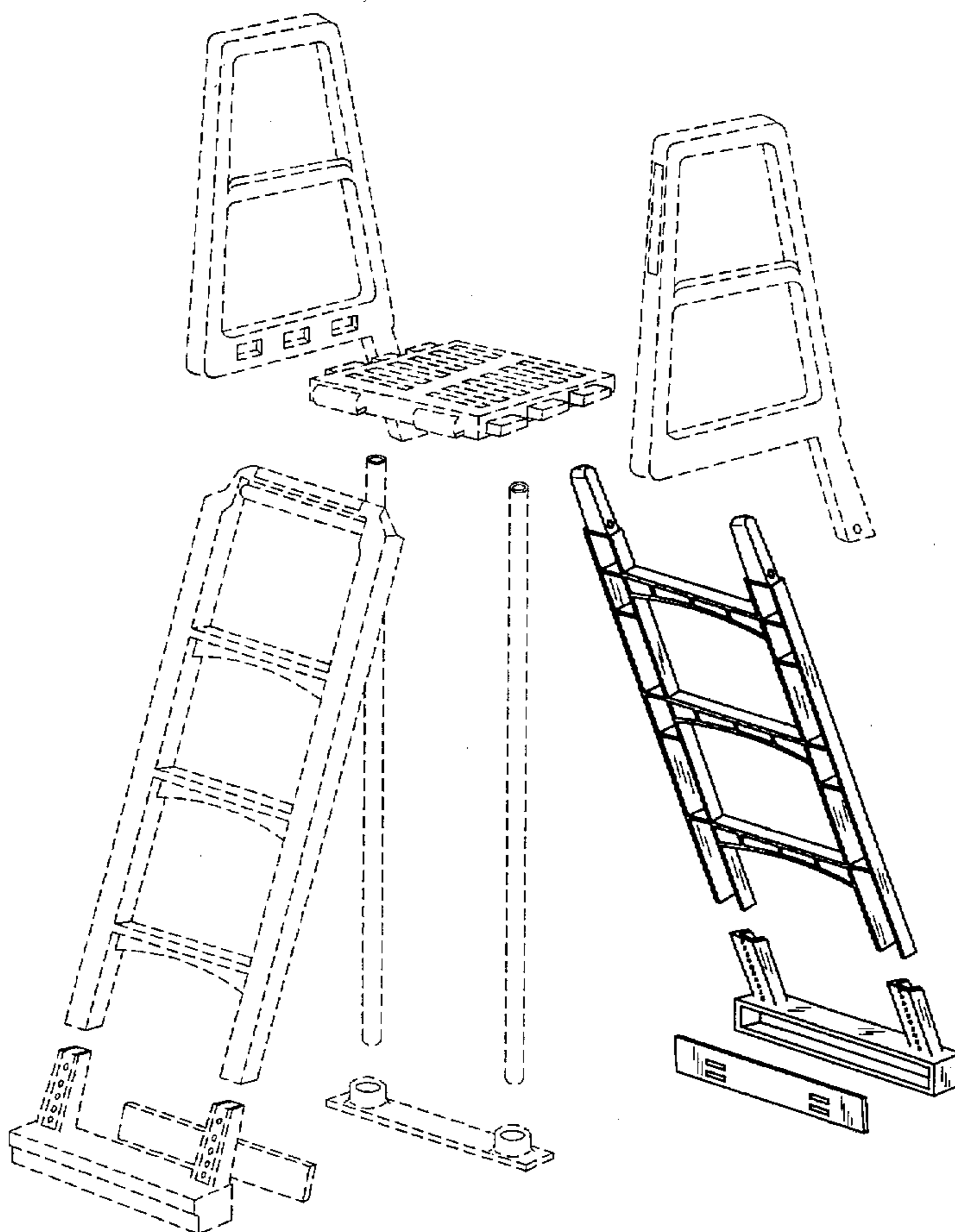


Fig. 1

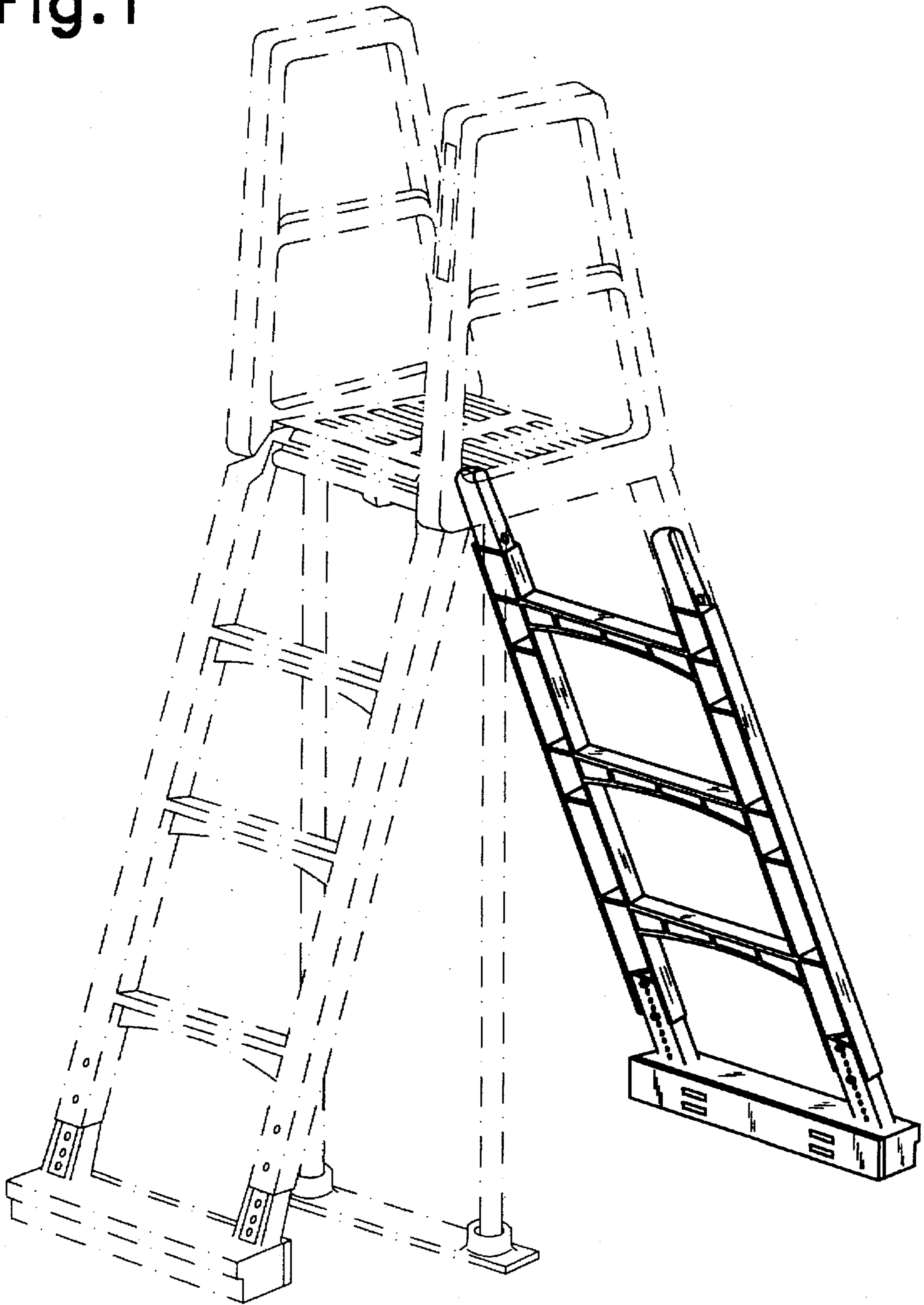
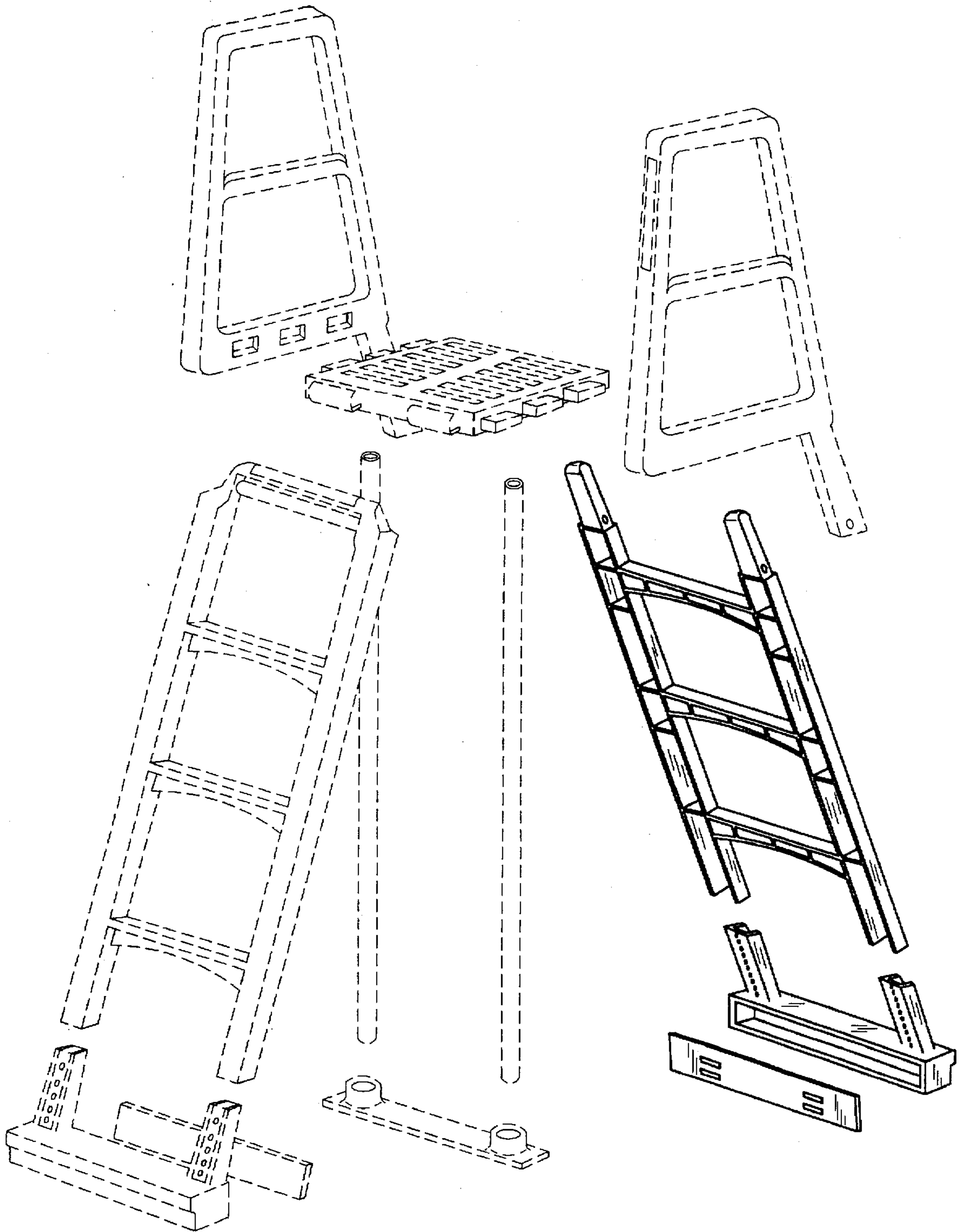


Fig.2



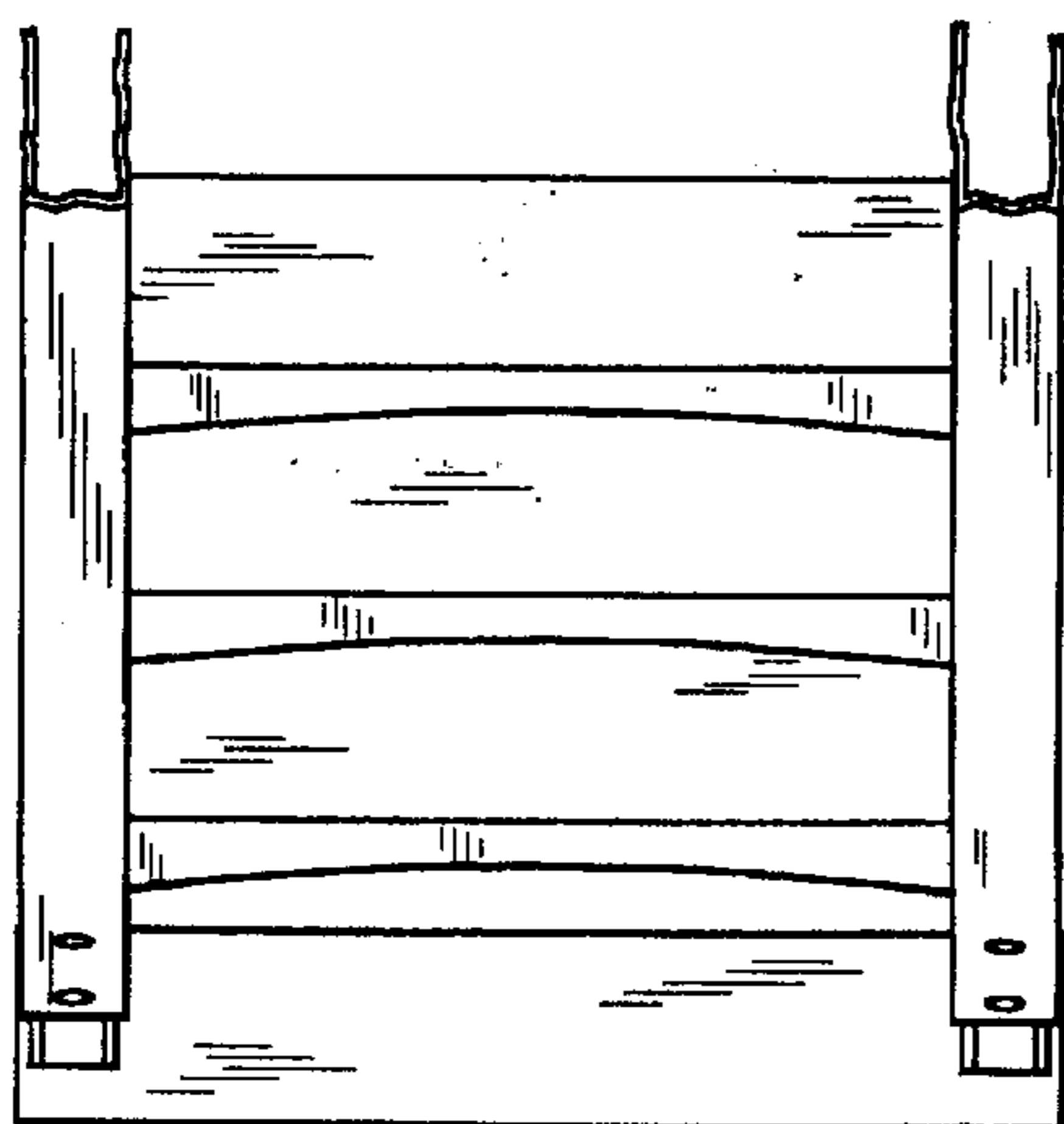


Fig. 4

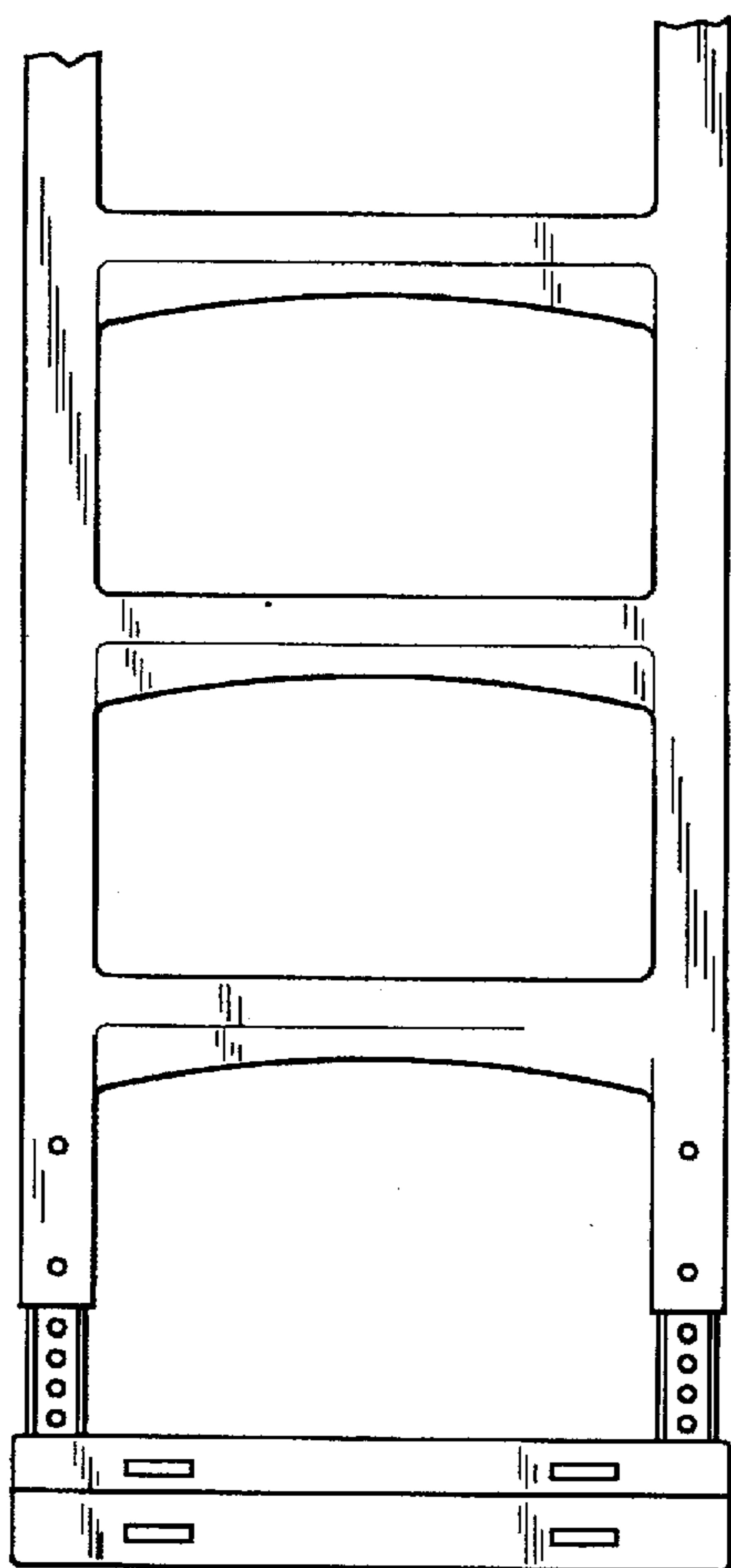


Fig. 3

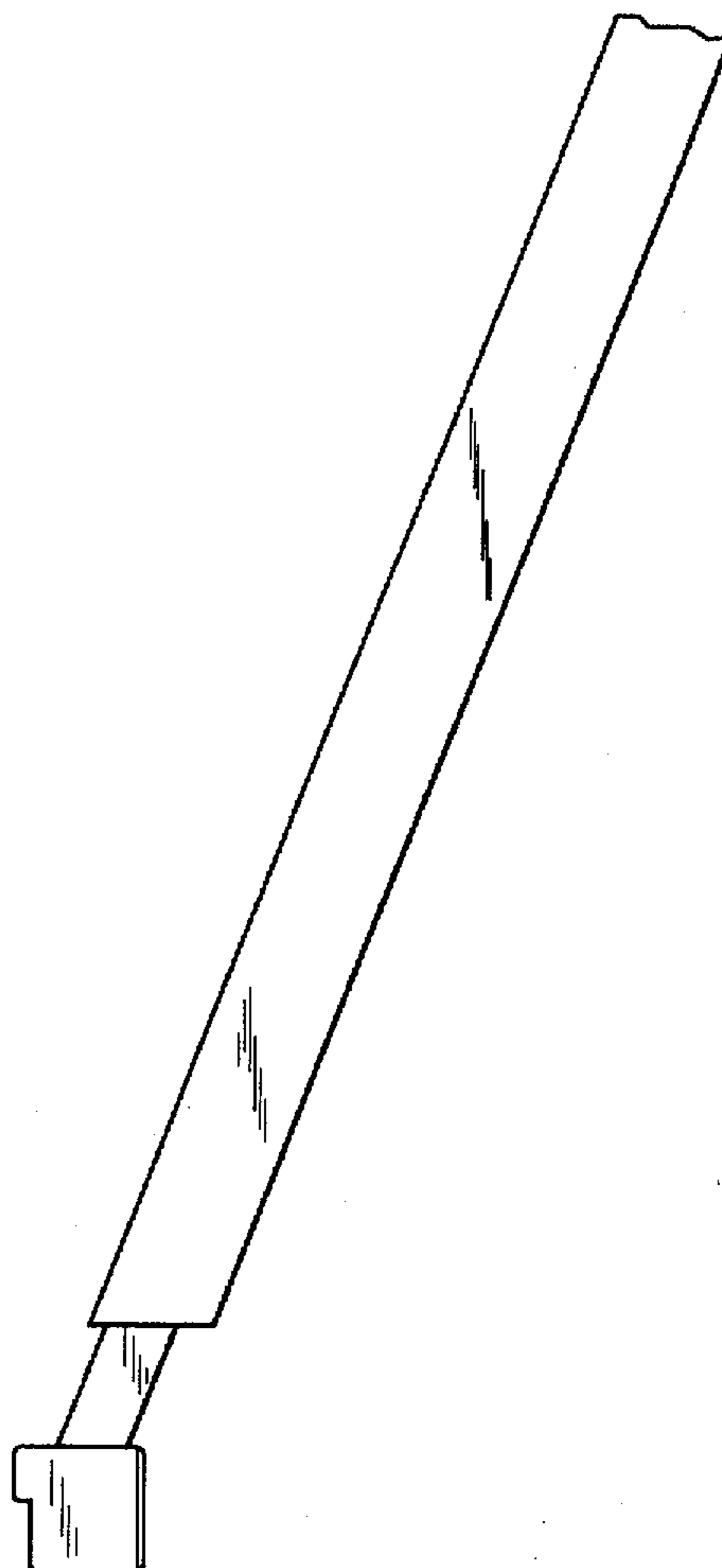


Fig. 5

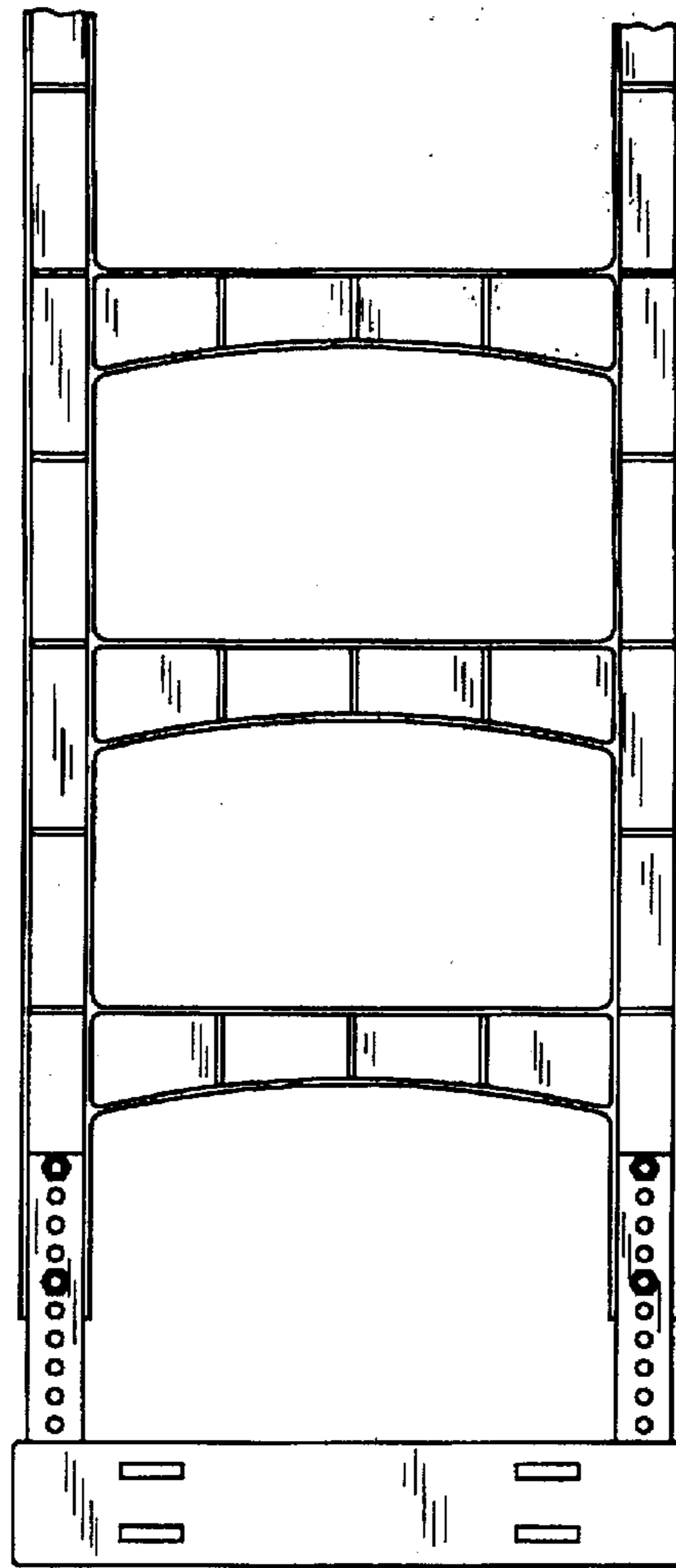


Fig. 6

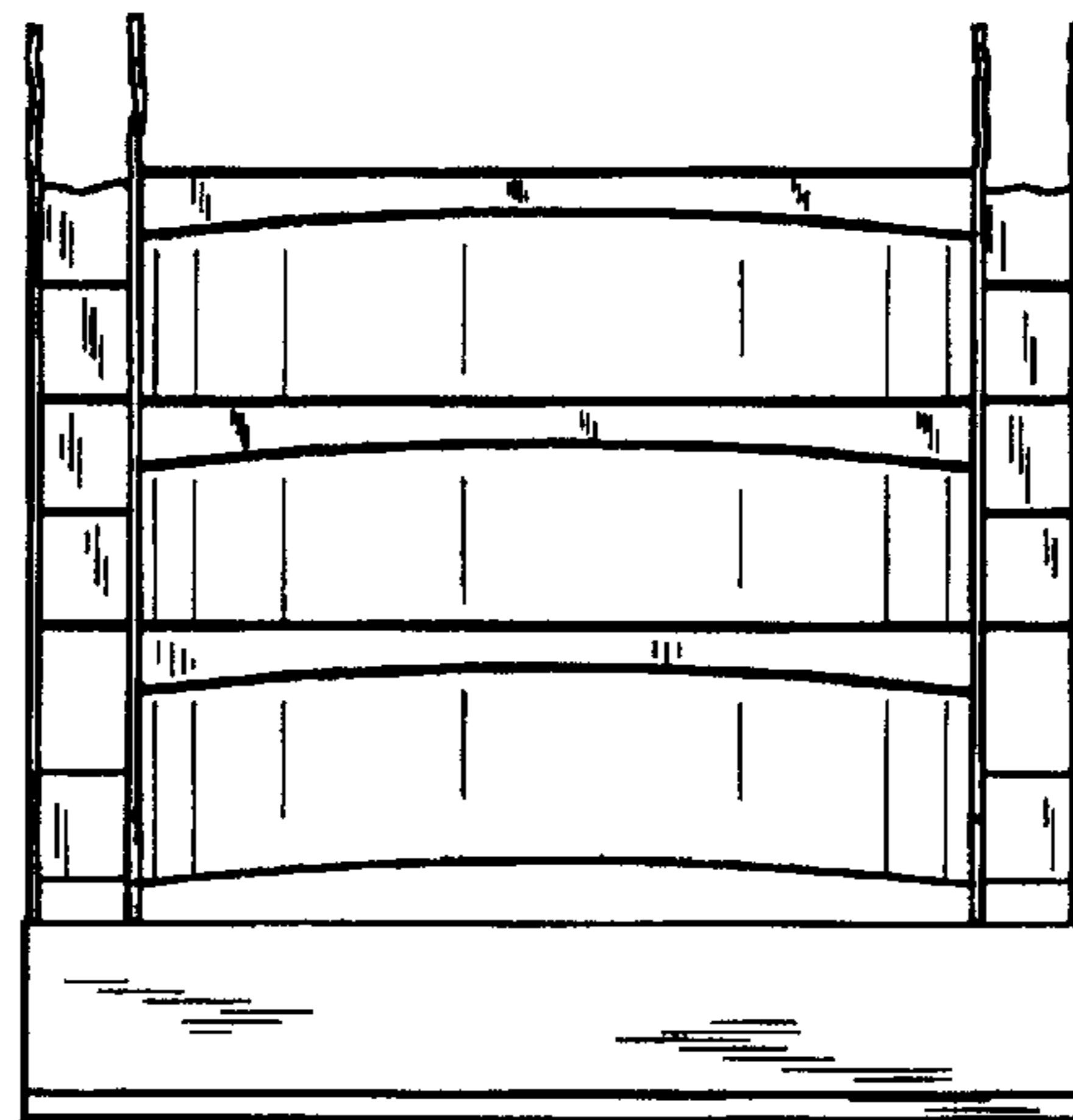


Fig. 7