



US00D388515S

# United States Patent [19]

Bookwalter et al.

[11] Patent Number: **Des. 388,515**

[45] Date of Patent: **\*\*Dec. 30, 1997**

[54] **COMBINED LAPAROSCOPIC TOOL HOLDER AND POSITIONER**

[75] Inventors: **John R. Bookwalter**, Brattleboro, Vt.;  
**David T. Adler**, Manhasset, N.Y.

[73] Assignee: **Flexbar Machine Corp.**, Islandia, N.Y.

[\*\*] Term: **14 Years**

[21] Appl. No.: **55,051**

[22] Filed: **May 30, 1996**

### Related U.S. Application Data

[63] Continuation of Ser. No. 31,599, Nov. 29, 1994, abandoned, which is a continuation of Ser. No. 930,909, Aug. 14, 1992, abandoned.

[51] LOC (6) Cl. .... **24-01**

[52] U.S. Cl. .... **D24/138**

[58] **Field of Search** ..... D24/140, 138,  
D24/127, 128, 133; 248/160, 276, 288.5,  
288.3, 230, 230.4; 403/55, 56; 128/20

### [56] References Cited

#### U.S. PATENT DOCUMENTS

D. 235,107 5/1975 Alder ..... D24/133  
D. 293,470 12/1987 Alder ..... D24/140

3,584,822 6/1971 Oram ..... 248/160  
4,867,404 9/1989 Harrington et al. .... 248/276 X  
4,949,927 8/1990 Madocks et al. .... 248/160 X  
5,284,130 2/1994 Ratliff ..... 248/160 X

### OTHER PUBLICATIONS

The Codman Catalog Surgical Product Catalog Retractor pp. G-75, G-74 ©1992.

*Primary Examiner*—Louis S. Zarfes

*Assistant Examiner*—Frank Martinez

*Attorney, Agent, or Firm*—Charles I. Brodsky

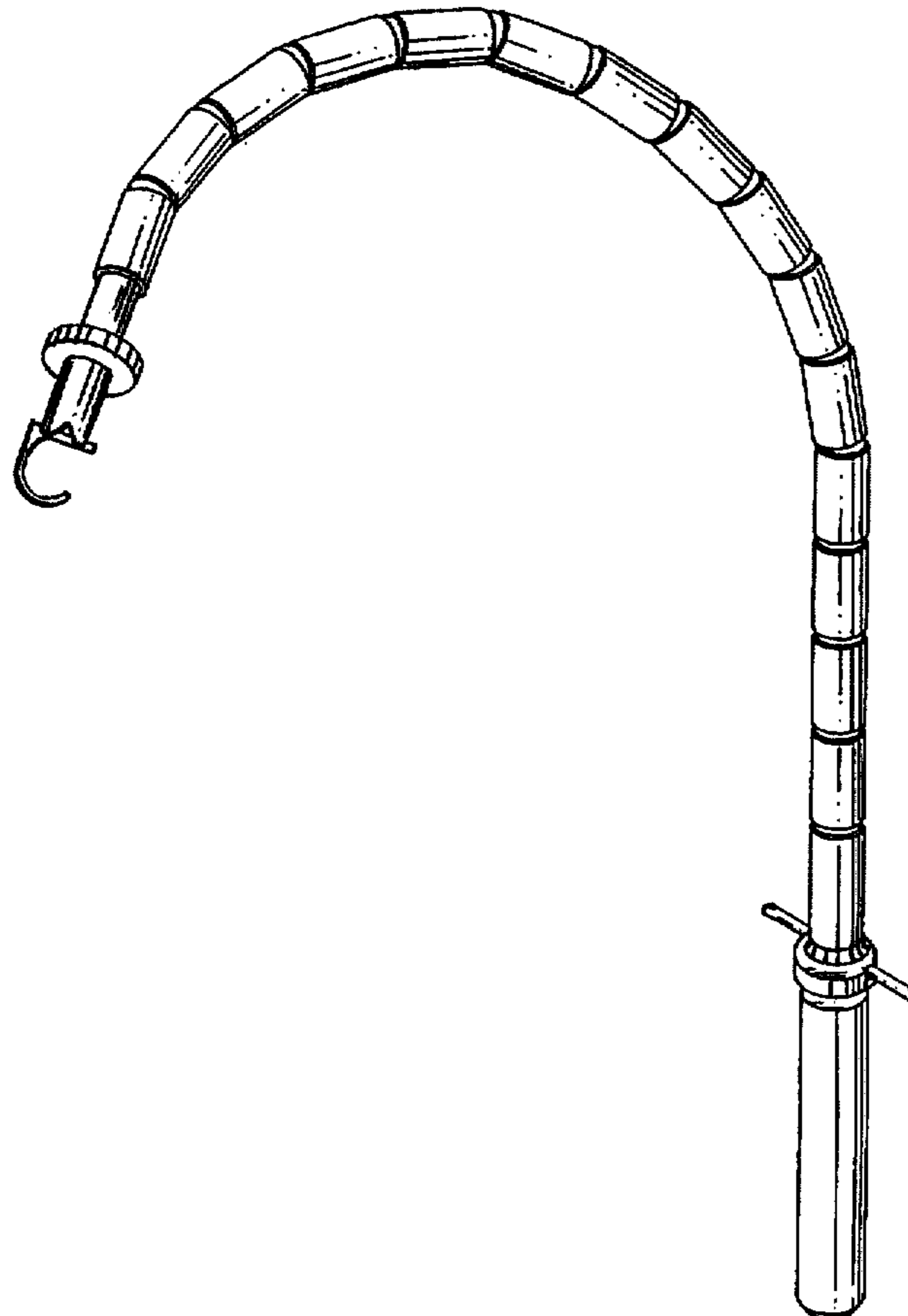
### [57] CLAIM

The ornamental design for a combined laparoscopic tool holder and positioner, as shown and described.

### DESCRIPTION

FIG. 1 is a left-front perspective view of a combined laparoscopic tool holder and positioner showing our new design, a right-front perspective view being a mirror image; FIG. 2 is a front elevational view thereof; FIG. 3 is a rear elevational view; FIG. 4 is a left side elevational view, a right side view being a mirror image; FIG. 5 is a top plan view; and, FIG. 6 is a bottom plan view.

**1 Claim, 4 Drawing Sheets**



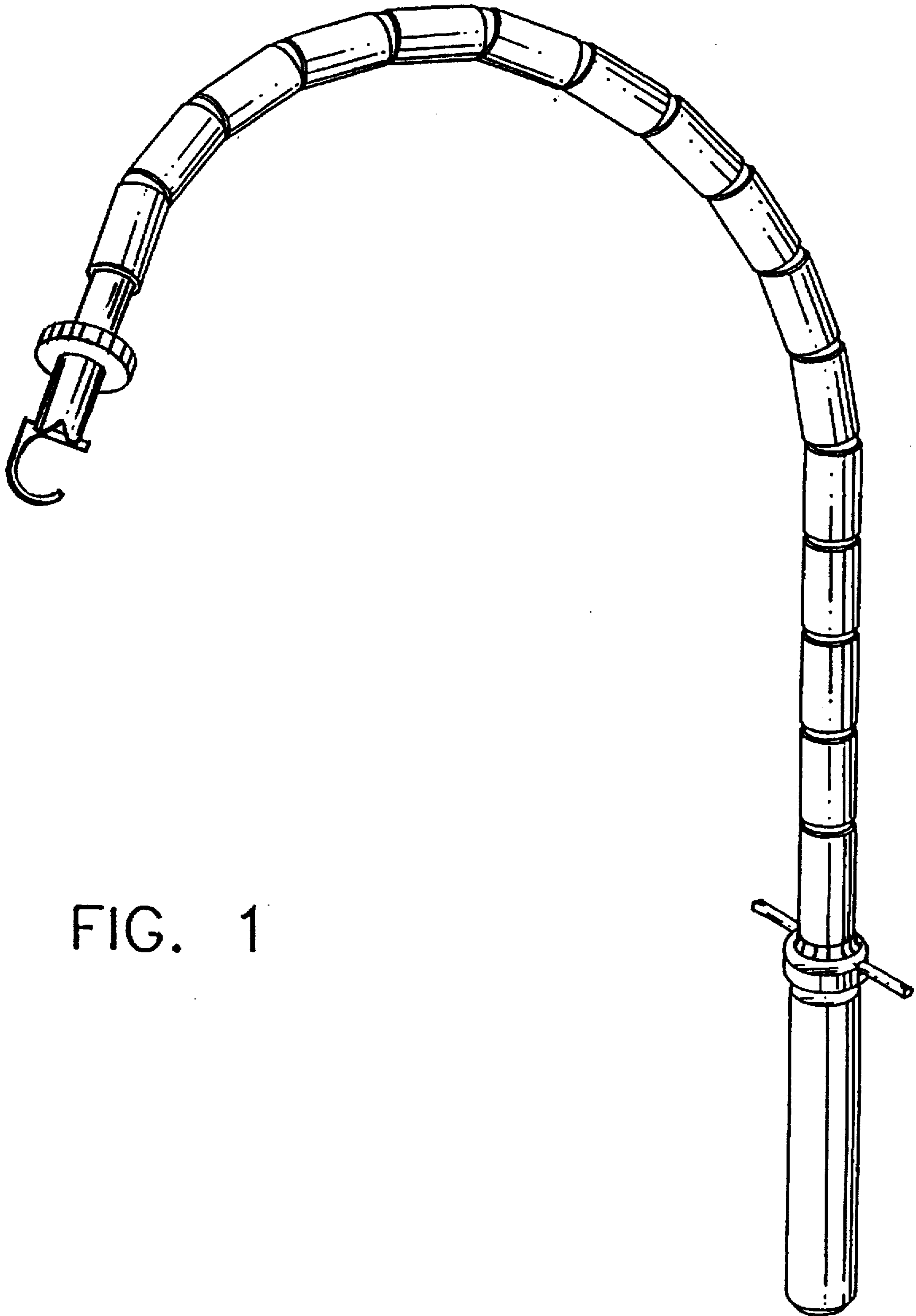


FIG. 1

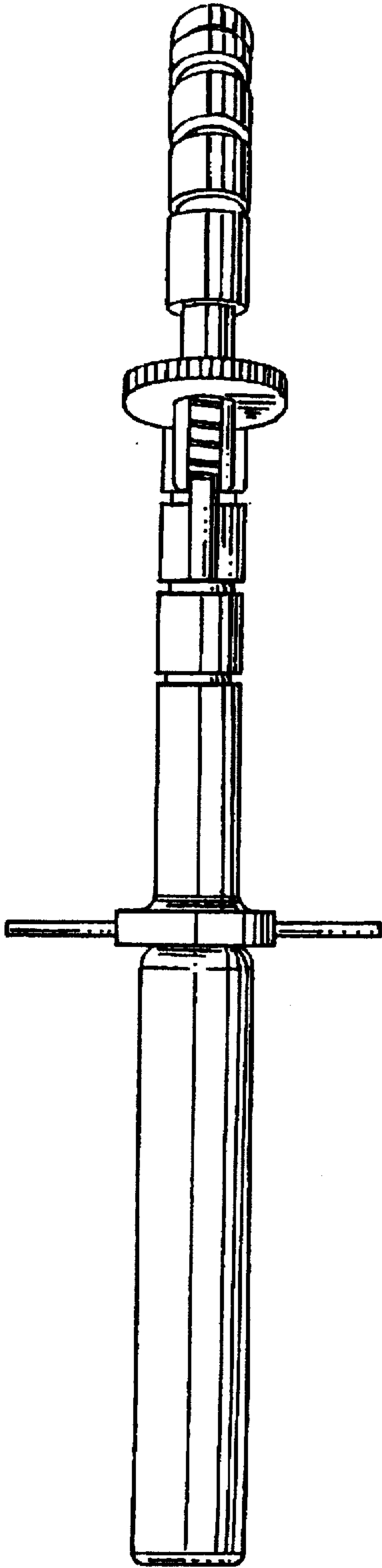


FIG. 2

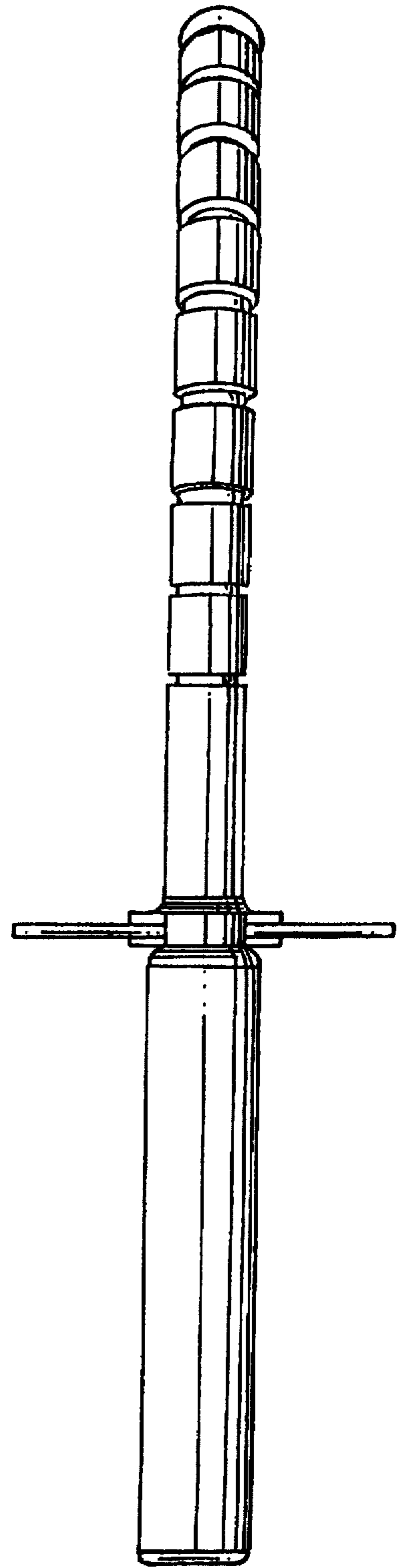


FIG. 3

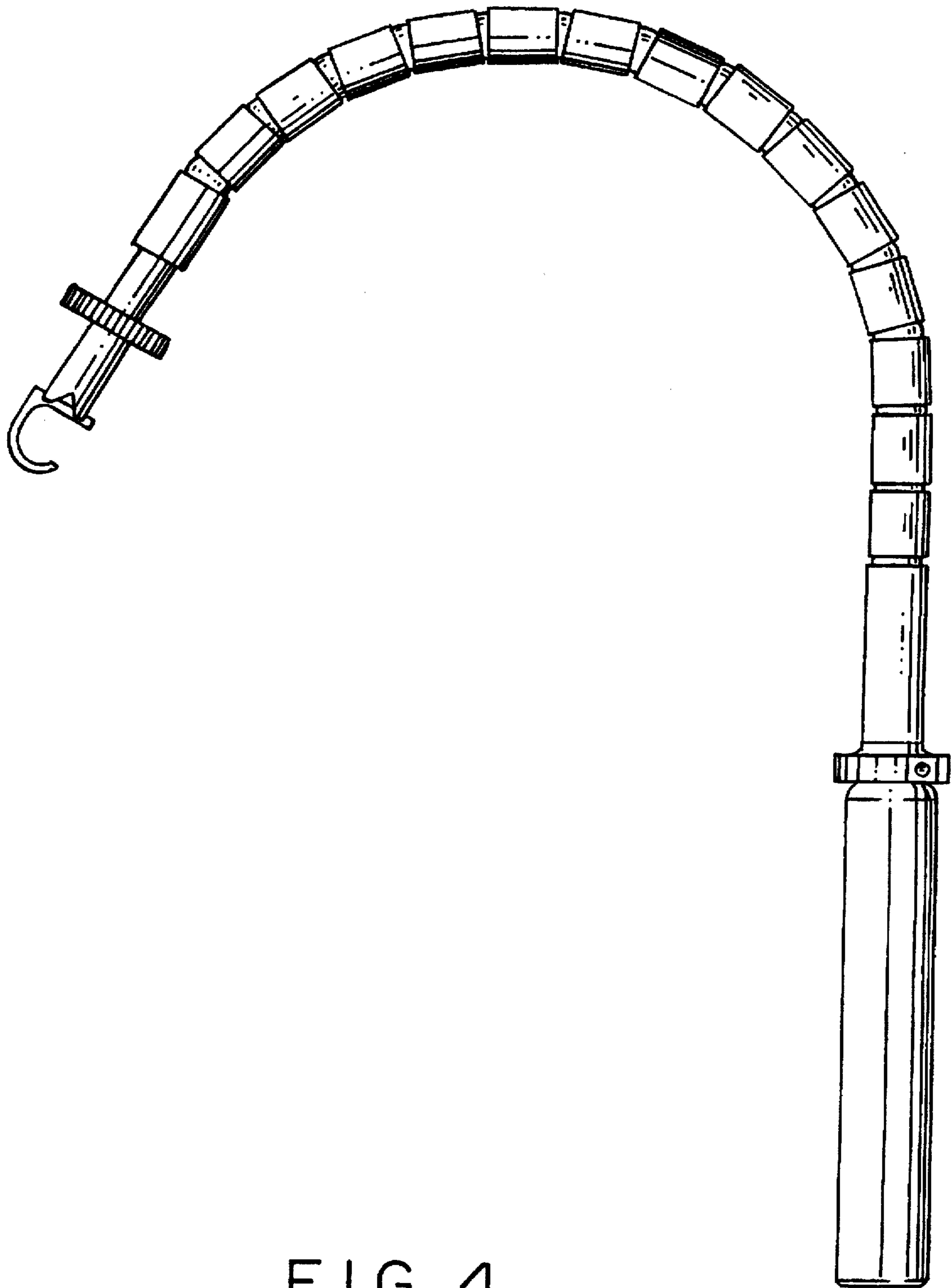


FIG. 4

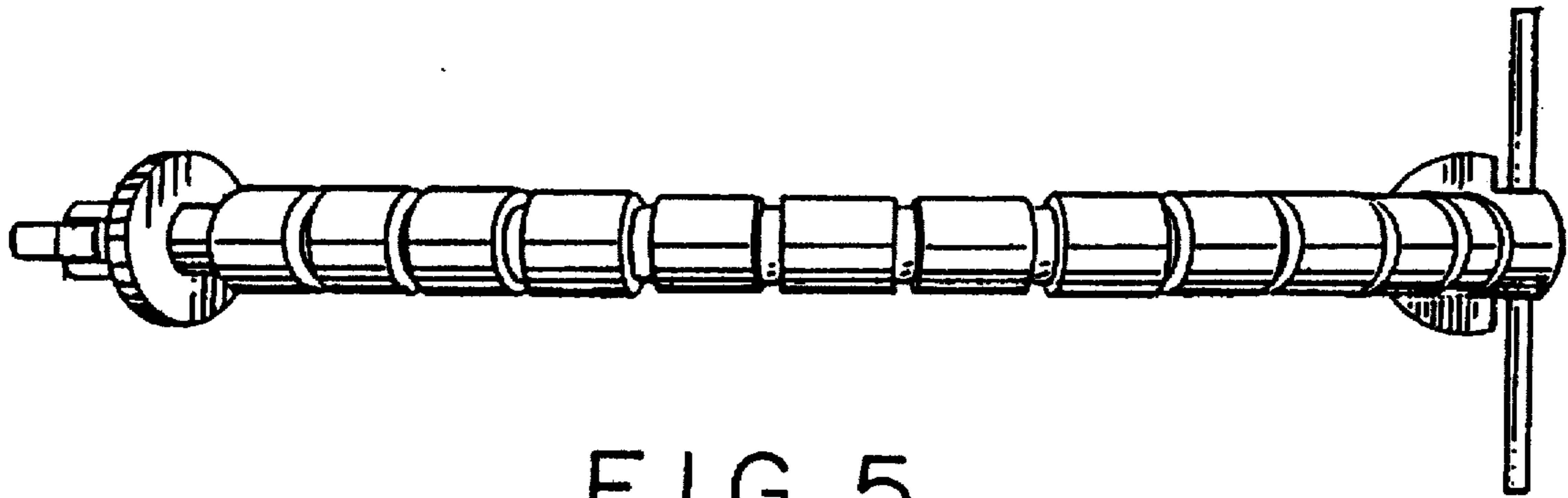


FIG. 5

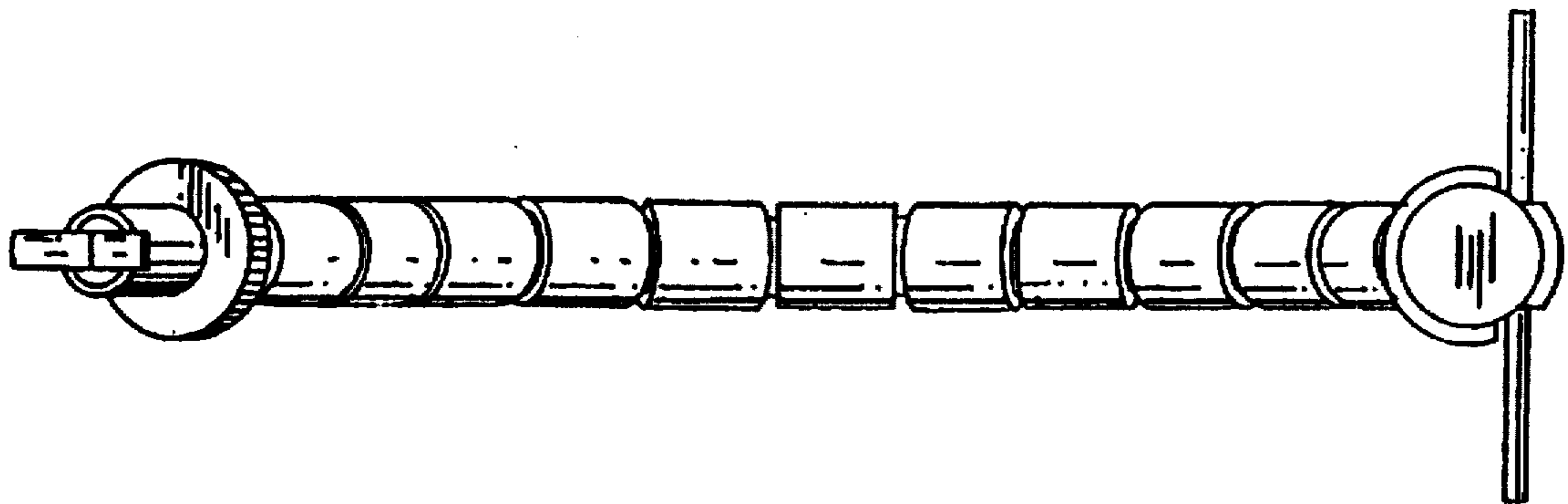


FIG. 6