



US00D388507S

United States Patent [19]
Gurries, II

[11] **Patent Number: Des. 388,507**

[45] **Date of Patent: **Dec. 30, 1997**

[54] **EMERGENCY WASH BASIN**

[75] **Inventor: Albert G. Gurries, II, Reno, Nev.**

[73] **Assignee: Haws Company, Sparks, Nev.**

[**] **Term: 14 Years**

[21] **Appl. No.: 59,117**

[22] **Filed: Sep. 3, 1996**

[51] **LOC (6) Cl. 23-02**

[52] **U.S. Cl. D23/284**

[58] **Field of Search D23/277-280.4,
D23/270, 271, 284-289; 4/620, 624, 617;
604/290, 294, 297, 302, 19**

[56] **References Cited**

U.S. PATENT DOCUMENTS

3,413,660	12/1968	Losprelli et al.	4/620
4,012,798	3/1977	Liputano	4/620
5,008,963	4/1991	Stein	4/620
5,530,972	7/1996	Tanner	4/620

Primary Examiner—Louis S. Zarfes
Assistant Examiner—Eric Watterson
Attorney, Agent, or Firm—Kelly Bauersfeld Lowry & Kelley, LLP

[57] **CLAIM**

The ornamental design for an emergency wash basin, as shown and described.

DESCRIPTION

FIG. 1 is a perspective view showing the front, top and left sides of an emergency wash basin showing my the new design;

FIG. 2 is a front elevation view thereof;

FIG. 3 is a right side elevation view thereof, the left side being a mirror image of the right side as shown;

FIG. 4 is a top plan view thereof;

FIG. 5 is a rear elevation view thereof; and,

FIG. 6 is a bottom plan view thereof.

1 Claim, 2 Drawing Sheets

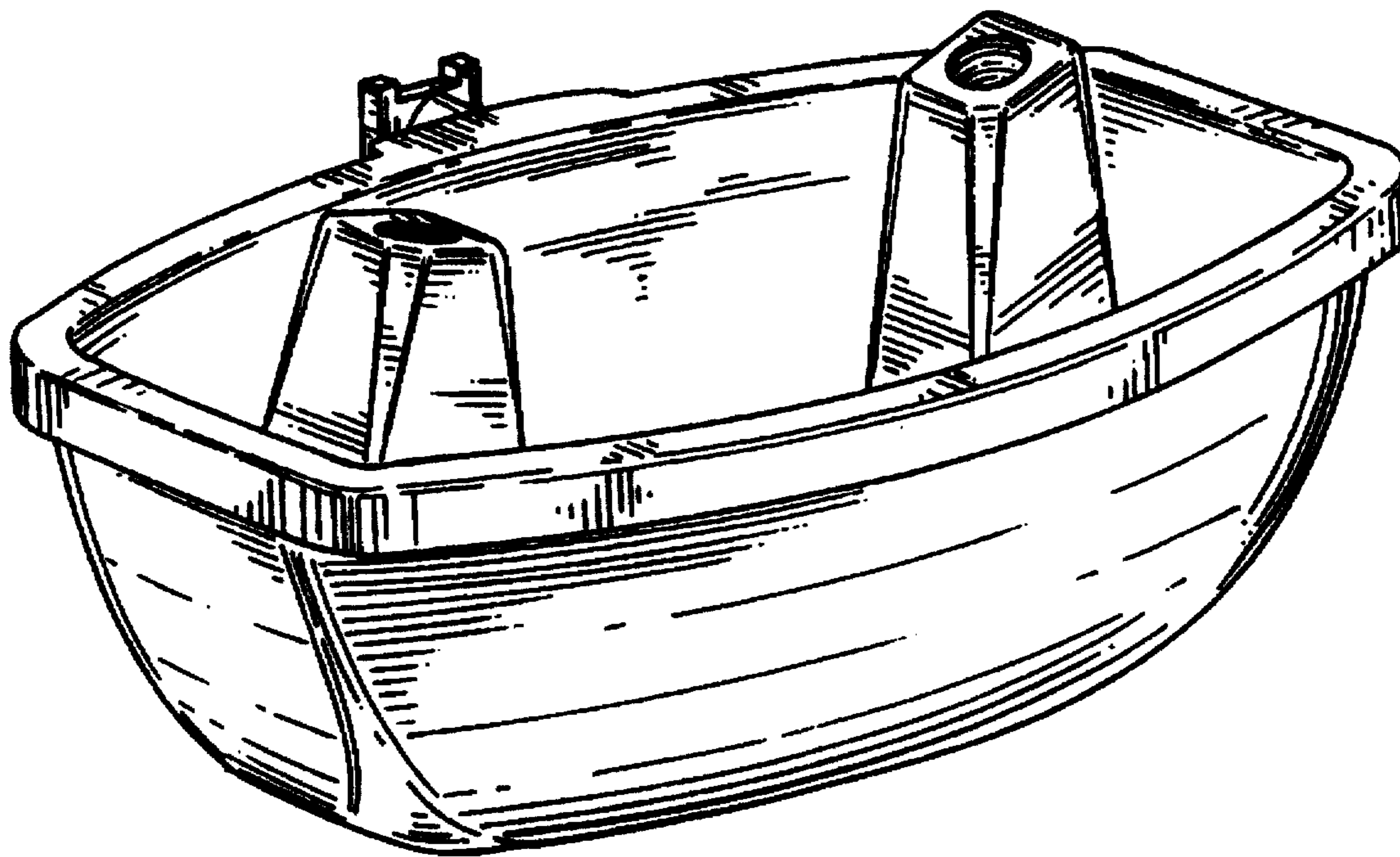


FIG. 1

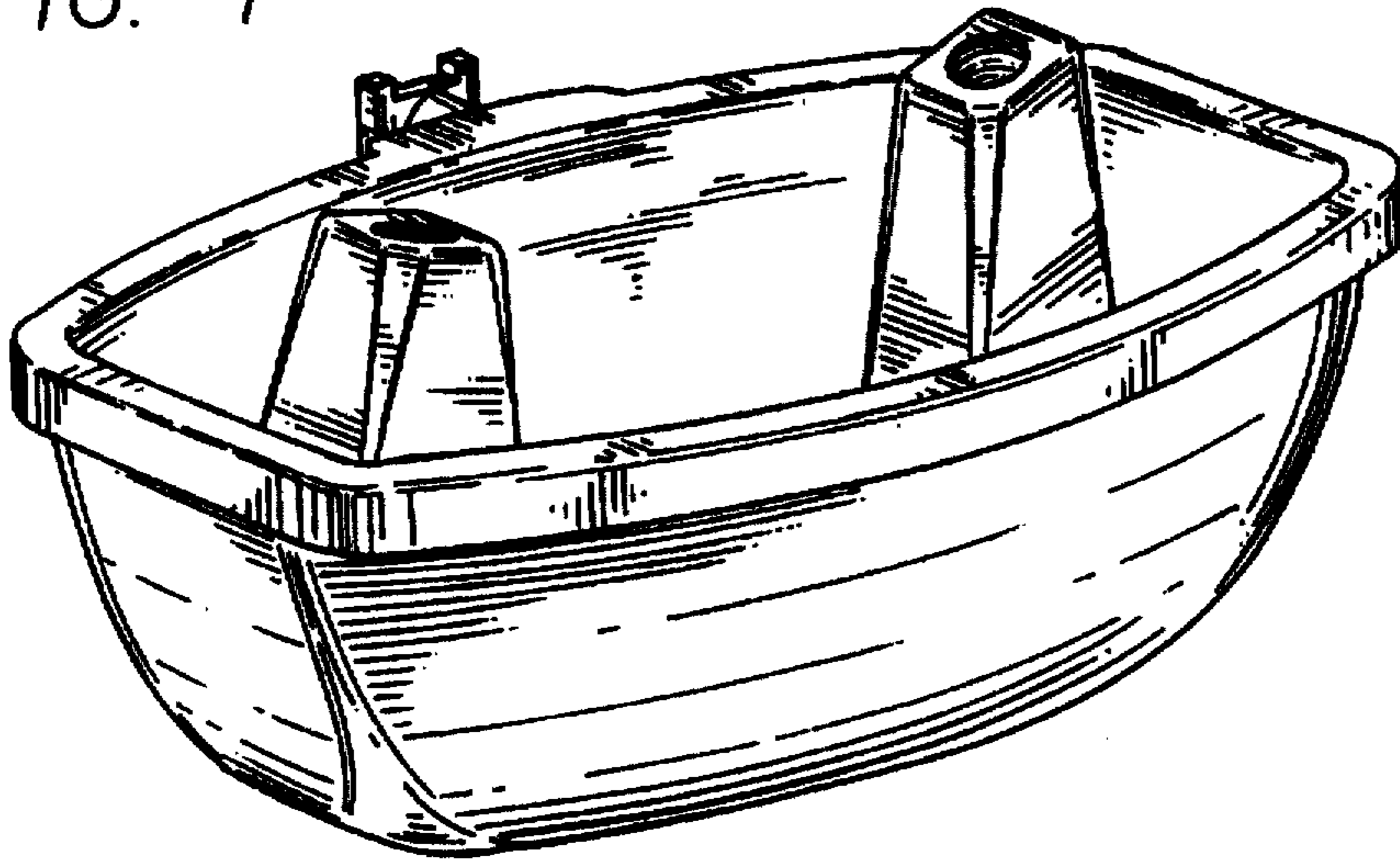


FIG. 2

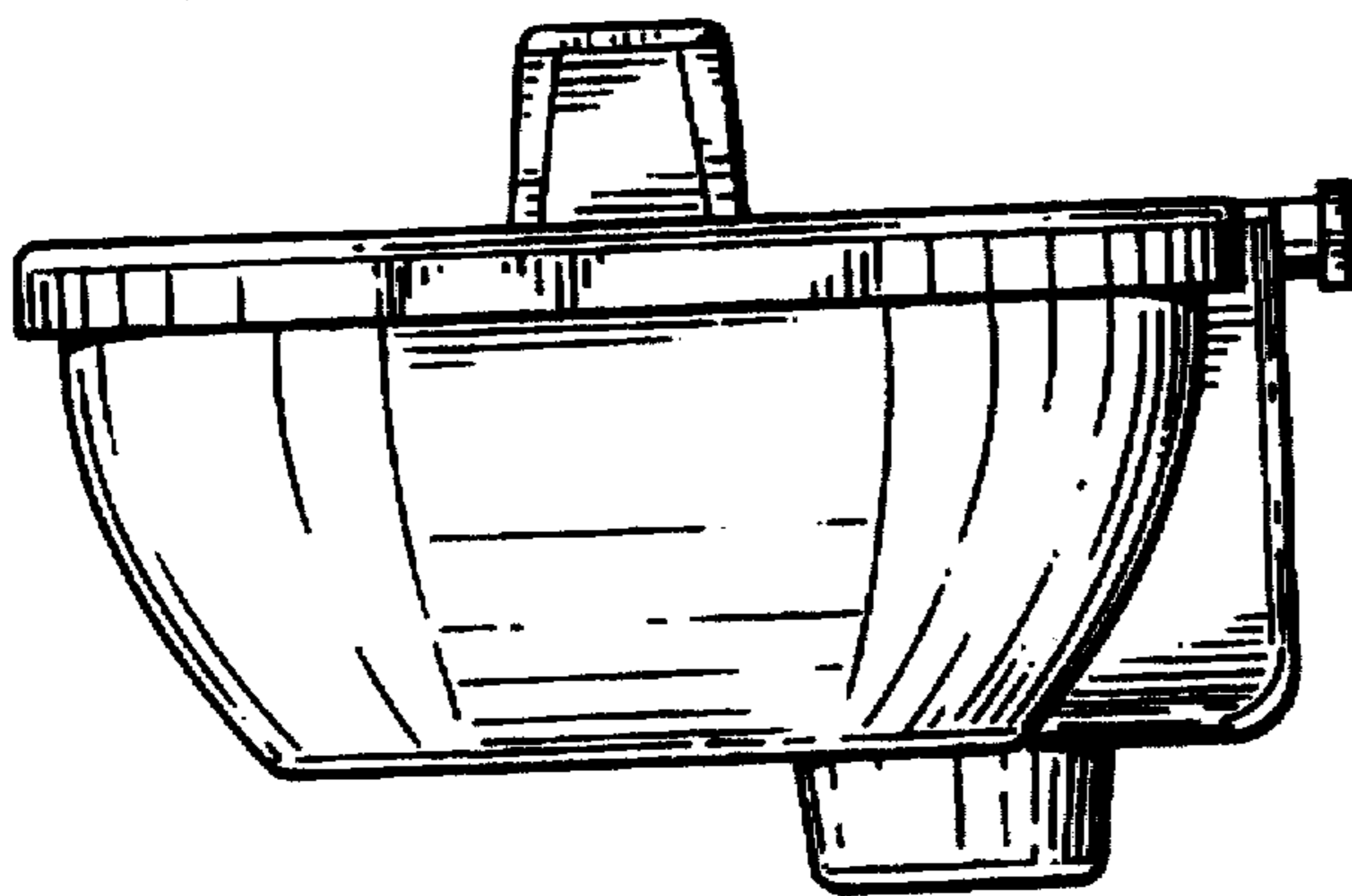
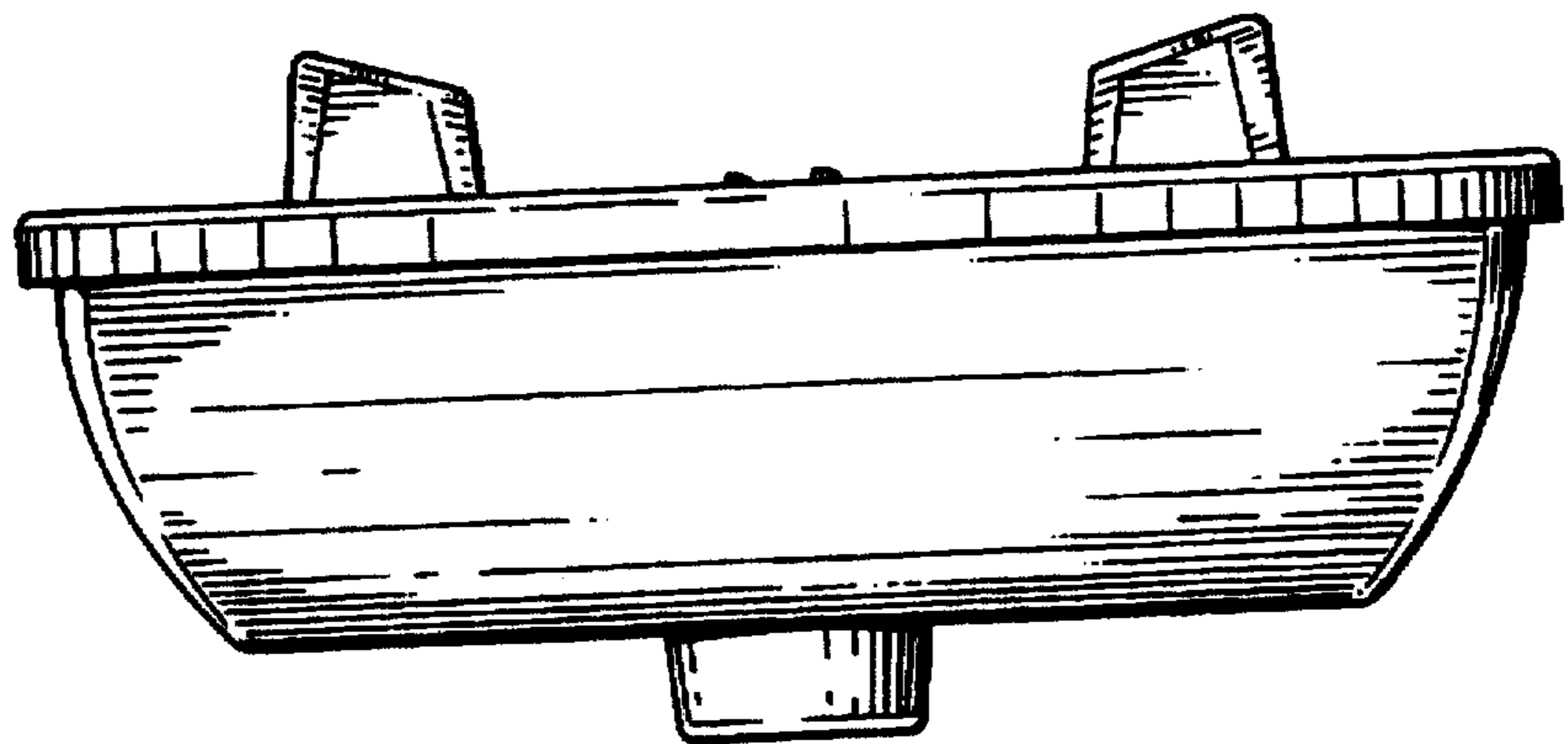


FIG. 3

FIG. 4

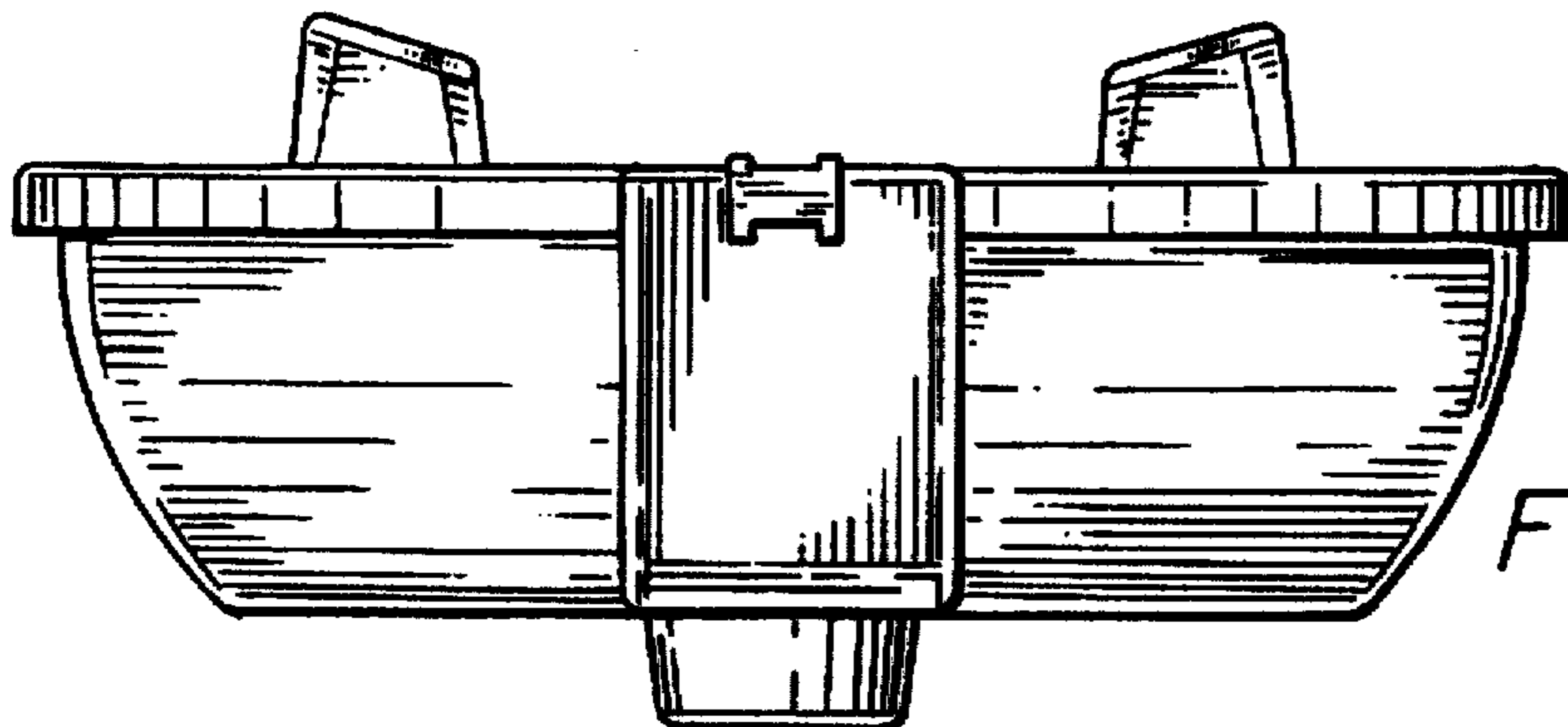
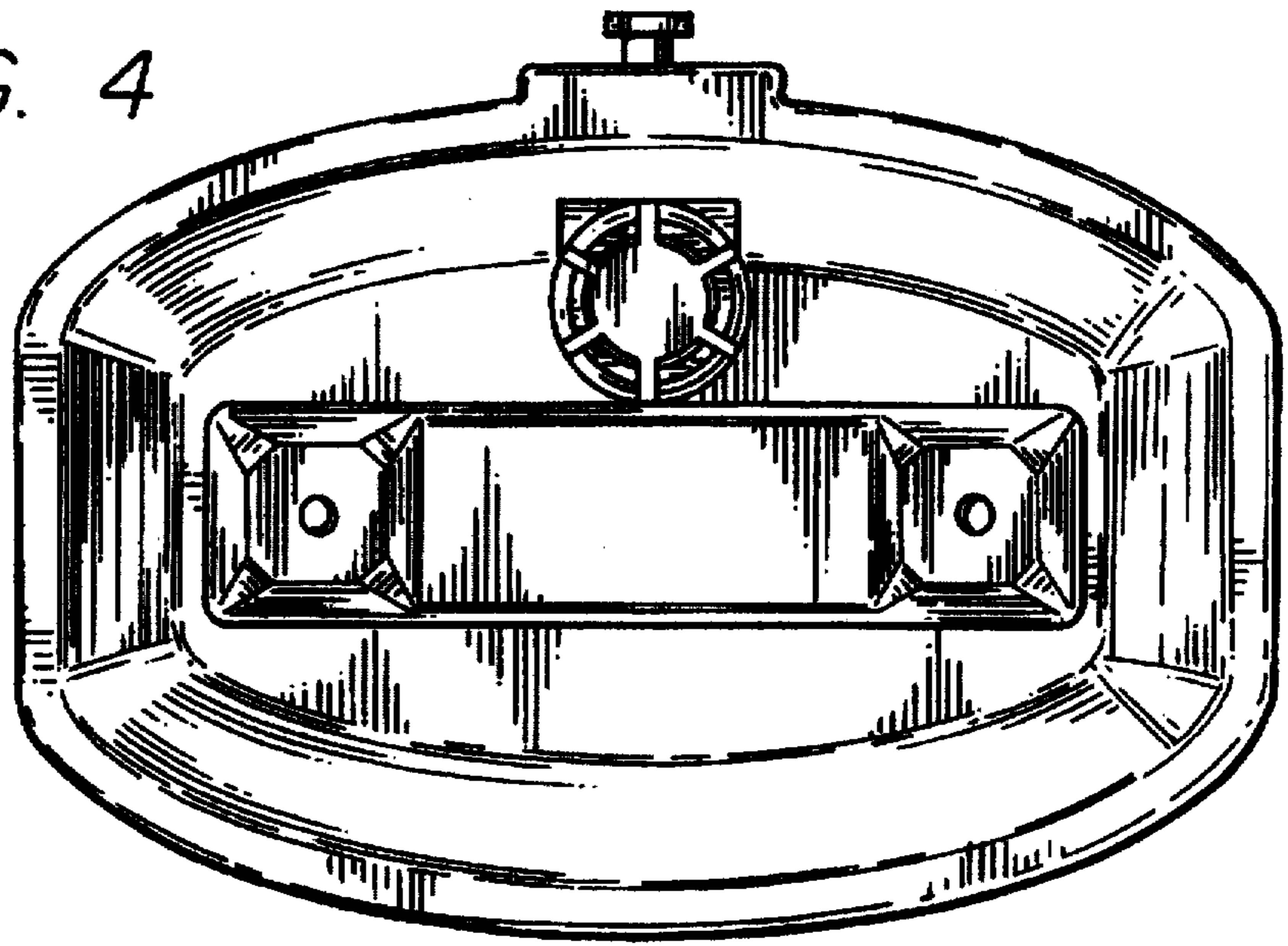


FIG. 5

FIG. 6

