

US00D388504S

United States Patent [19]

Hayashi et al.

[11] Patent Number: **Des. 388,504**

[45] Date of Patent: ****Dec. 30, 1997**

[54] ELECTROMAGNETIC VALVE

[75] Inventors: **Bunya Hayashi; Shinji Miyazoe; Makoto Ishikawa**, all of Yawara-mura, Japan

[73] Assignee: **SMC Corporation**, Tokyo, Japan

[**] Term: **14 Years**

[21] Appl. No.: **50,179**

[22] Filed: **Feb. 9, 1996**

[30] Foreign Application Priority Data

Aug. 11, 1995 [JP] Japan 7-23576

[51] LOC (6) CL **23-01**

[52] U.S. Cl. **D23/233**

[58] Field of Search D23/233, 248, D23/247; 137/884, 269; 251/625.64, 625.69

[56] References Cited

U.S. PATENT DOCUMENTS

D. 223,095	3/1972	Allen	D23/233
D. 338,516	8/1993	Tamaki	D23/248
4,649,957	3/1987	Quinn	137/625.64
4,726,393	2/1988	Herner	137/269
5,333,647	8/1994	Fukano et al.	137/884
5,447,176	9/1995	Asou et al.	137/884 X
5,459,953	10/1995	Fukano et al.	137/625.64
5,462,087	10/1995	Fukano et al.	137/625.64 X

FOREIGN PATENT DOCUMENTS

203780 8/1989 Japan 137/884
6300158 10/1994 Japan 137/884

Primary Examiner—Ted Shooman

Assistant Examiner—C. Tuttle

Attorney, Agent, or Firm—Oblon, Spivak, McClelland, Maier & Neudstadt, P.C.

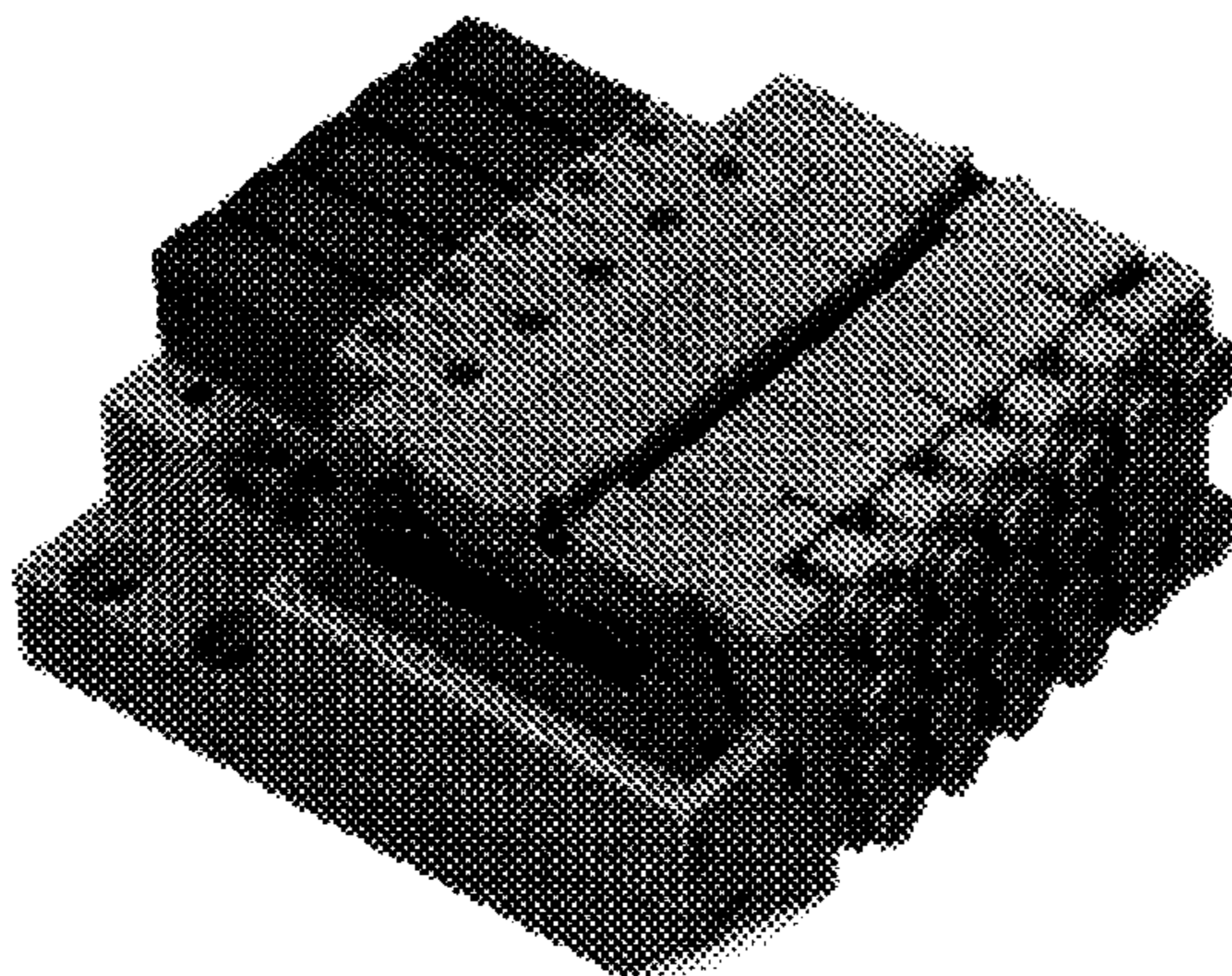
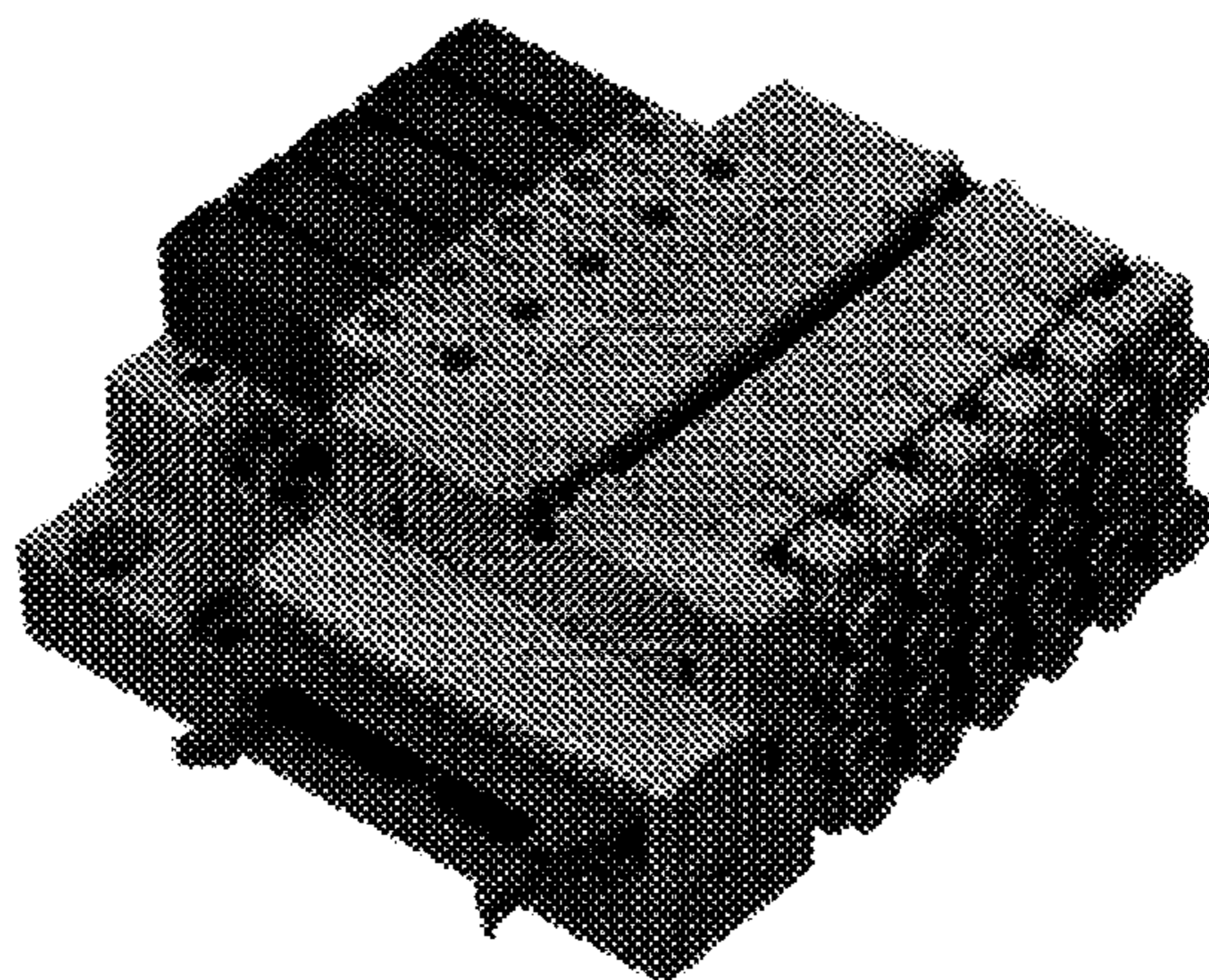
[57] CLAIM

The ornamental design for an electromagnetic valve, as shown and described.

DESCRIPTION

FIG. 1 is a top, front, and left side perspective view of an electromagnetic valve, showing our new design; FIG. 2 is a top, rear and right side perspective view thereof; FIG. 3 is a front elevational view thereof; FIG. 4 is a rear elevational view thereof; FIG. 5 is a left side view thereof; FIG. 6 is a right side view thereof; FIG. 7 is a top plan view thereof; FIG. 8 is a top, rear and left side view of a second embodiment of our design, the undisclosed sides being identical to the first disclosed embodiment except for the upward orientation of the lead wire connector; FIG. 9 is a top plan view thereof; and, FIG. 10 is a right side view thereof. The undisclosed bottom surface forms no part of the claimed design.

1 Claim, 5 Drawing Sheets



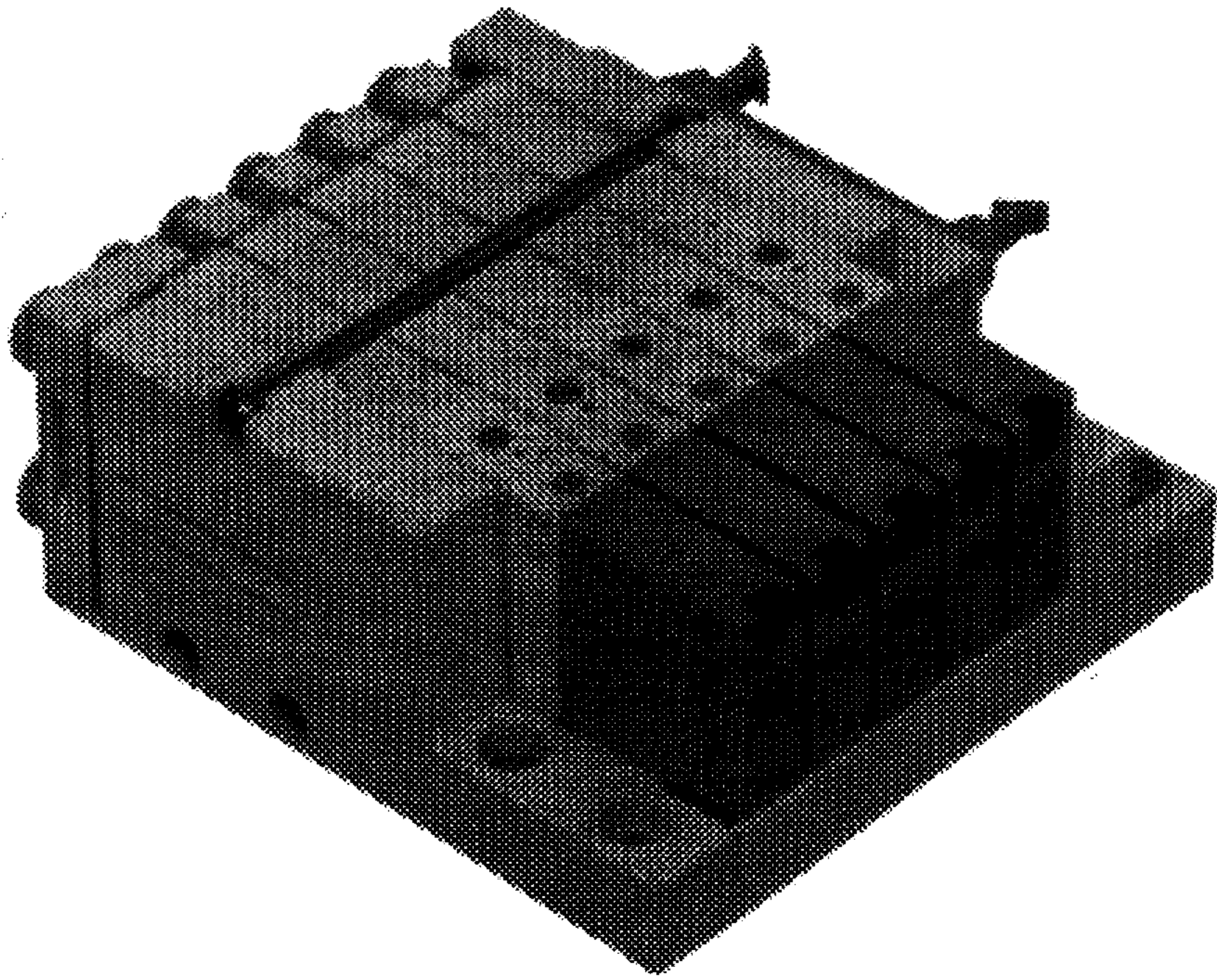


FIG. 1

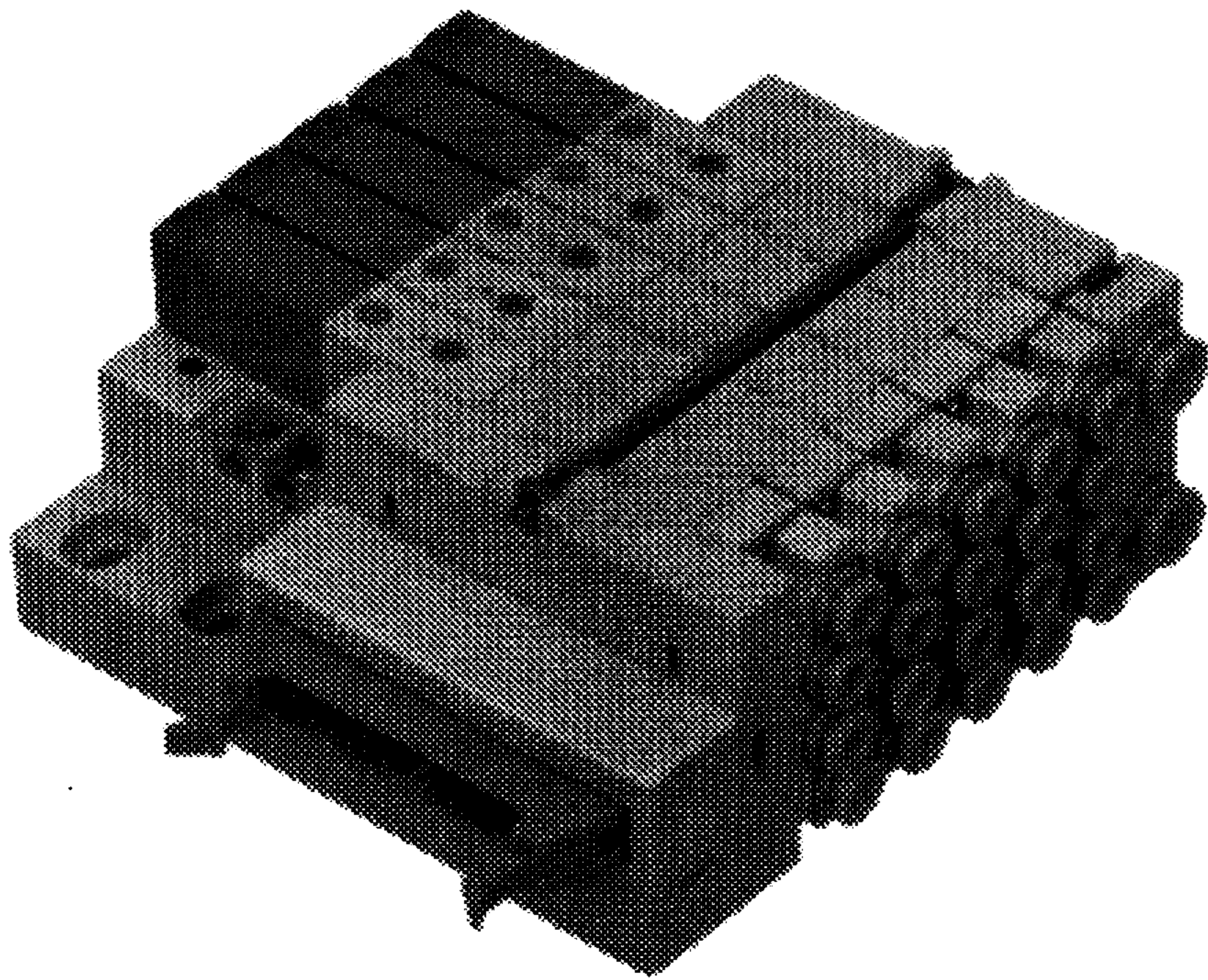


FIG. 2

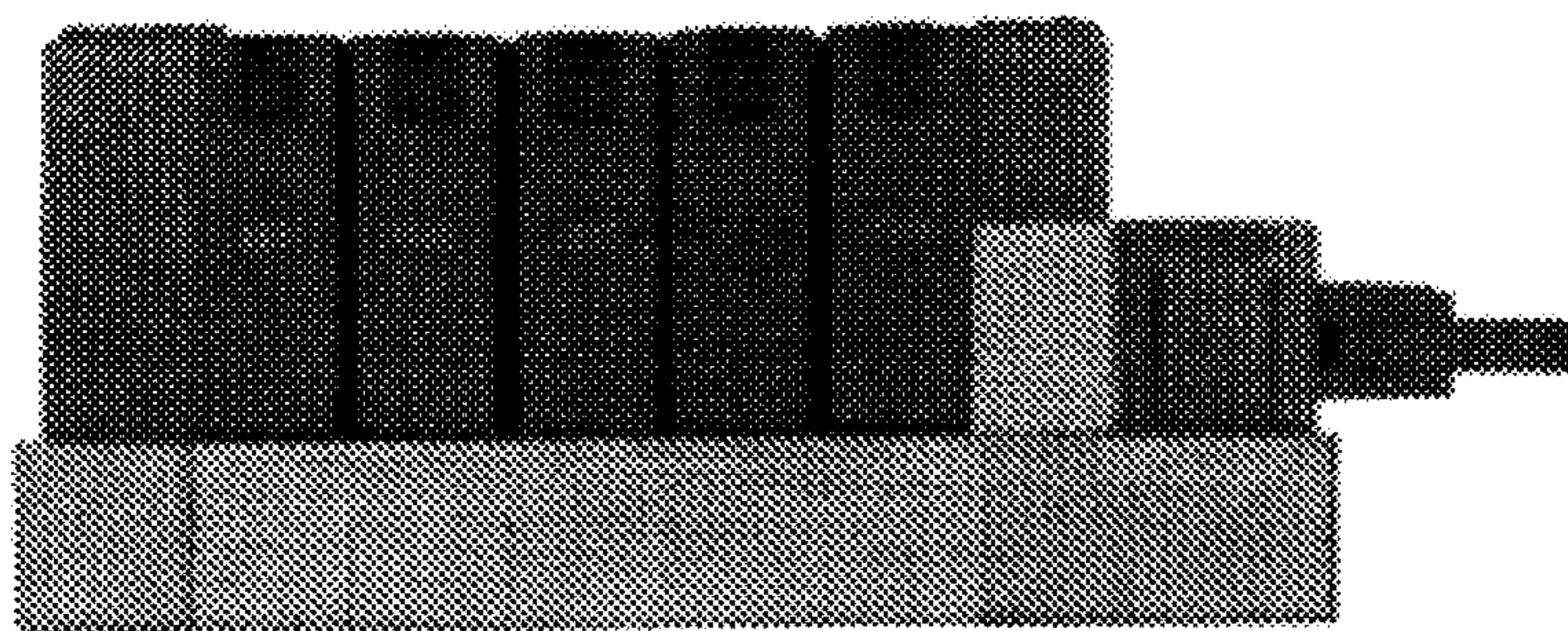


FIG 3

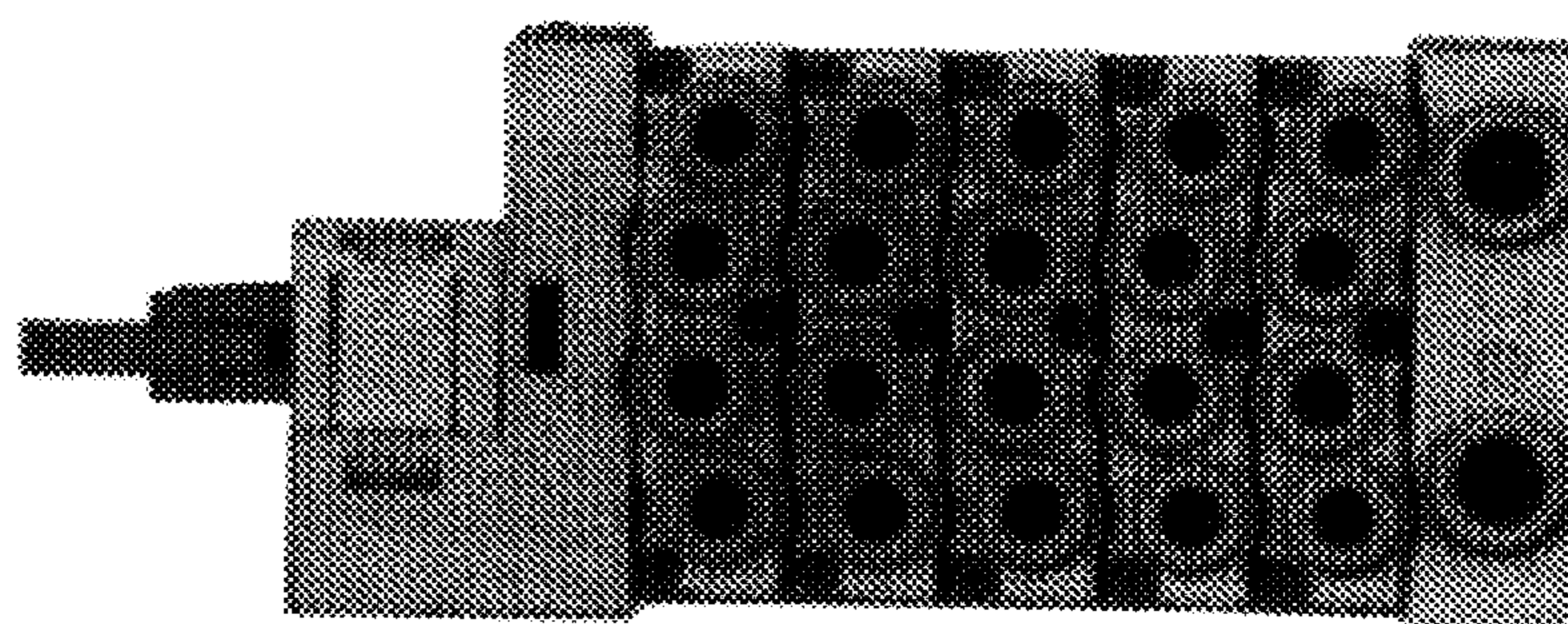


FIG 4

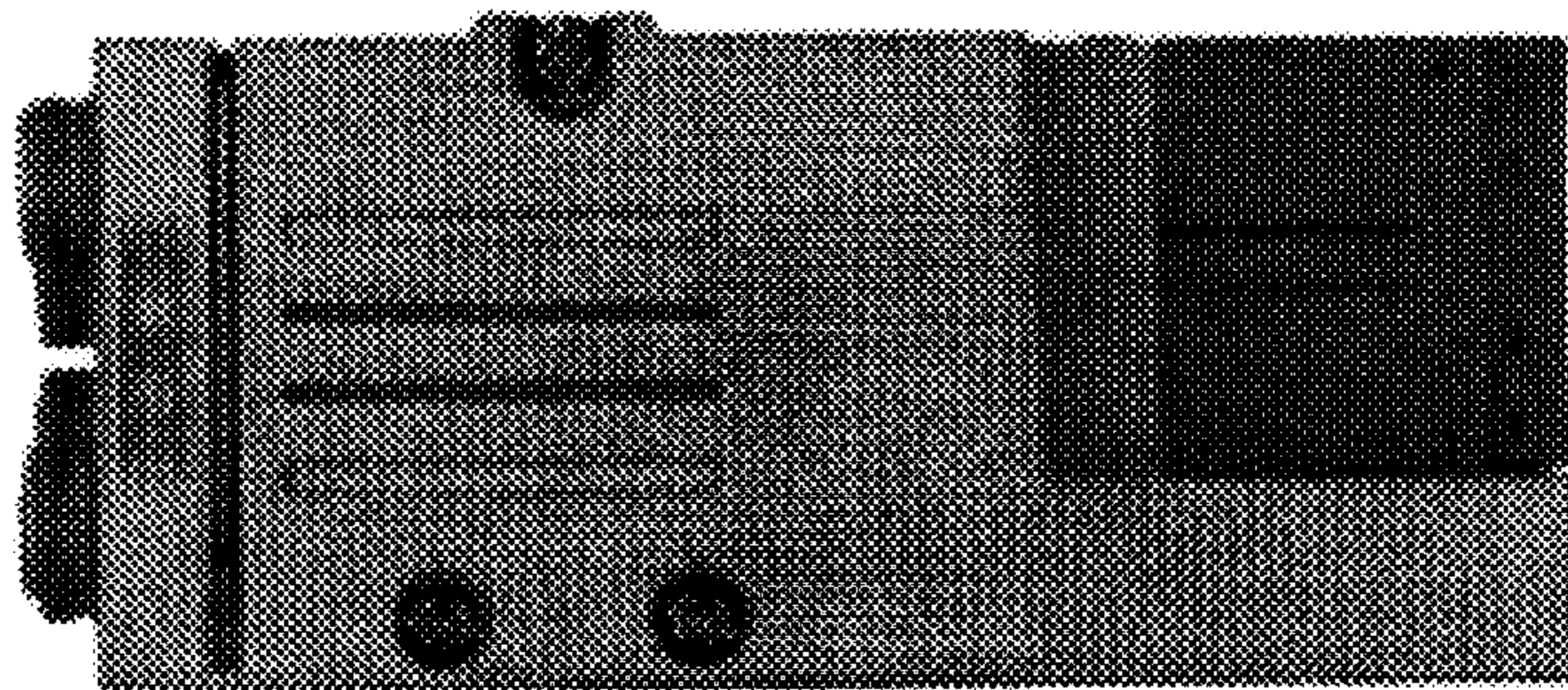


FIG. 5

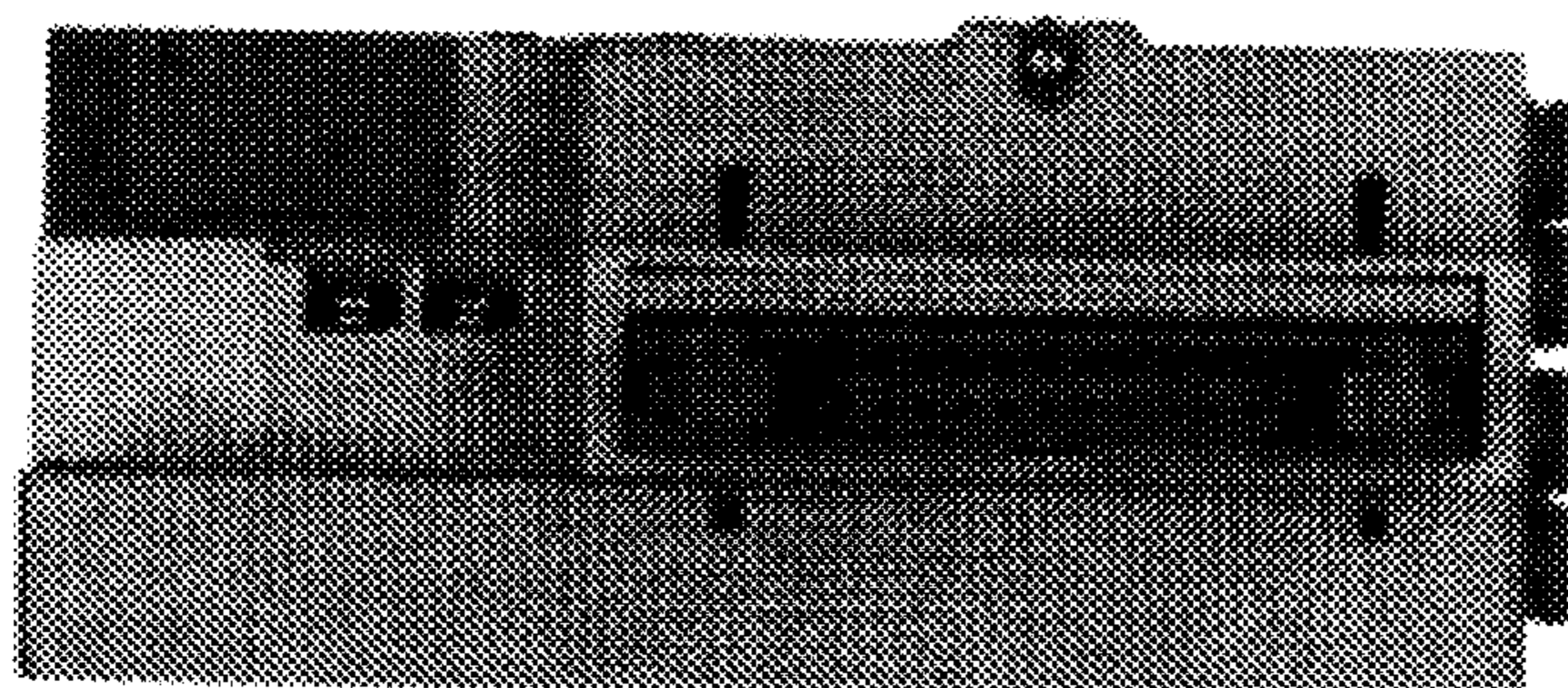


FIG. 6

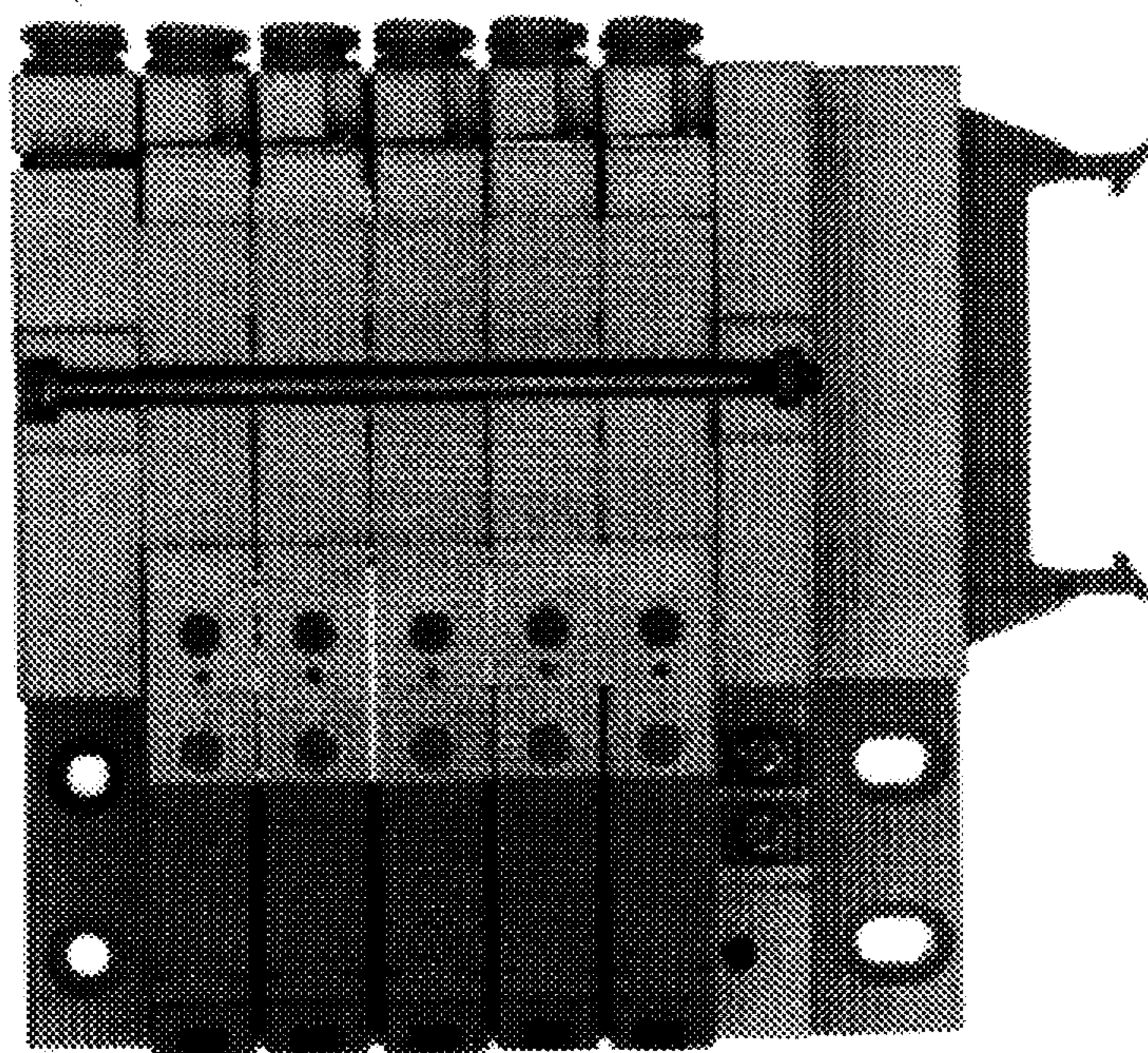


FIG. 7

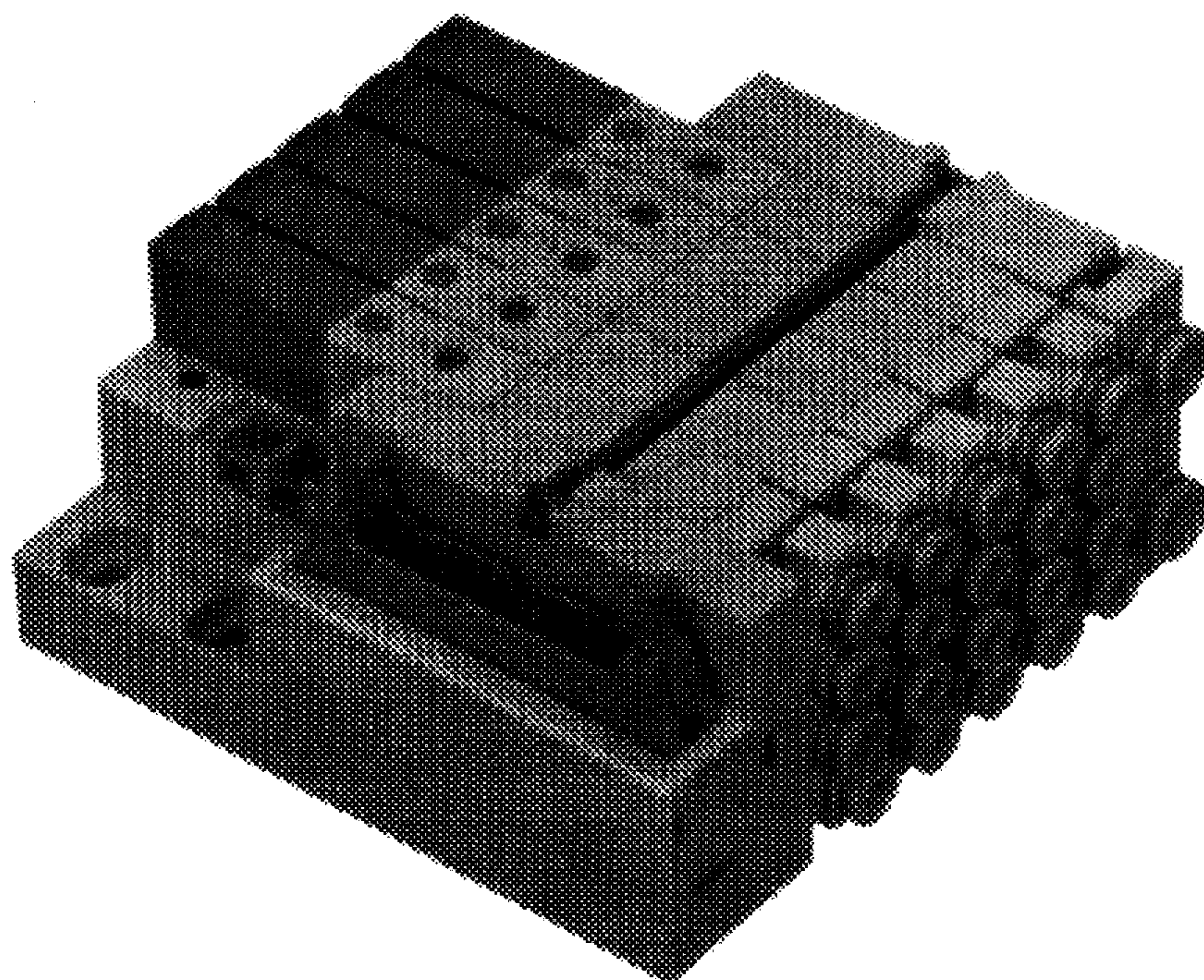


FIG. 8

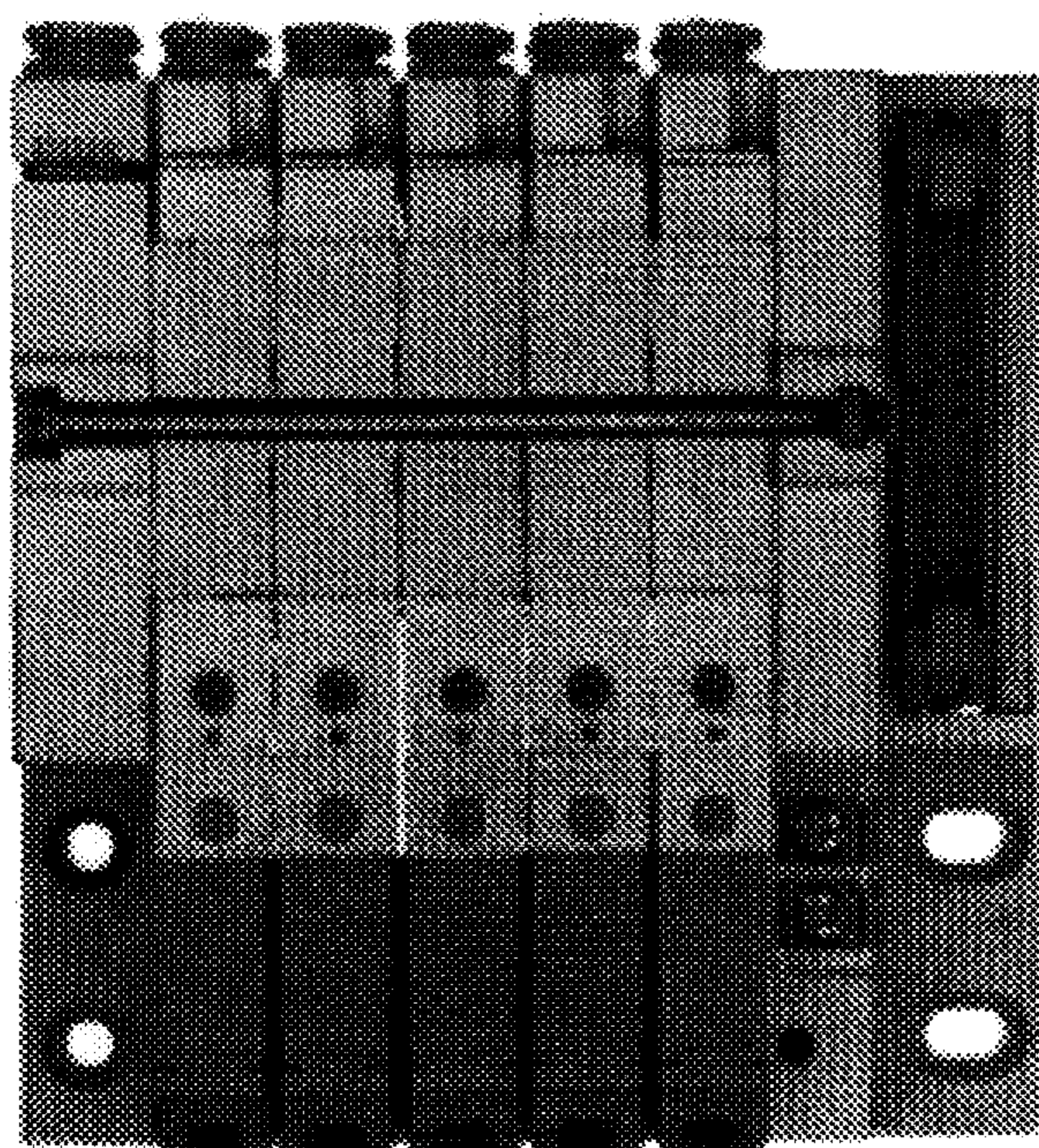


FIG. 9

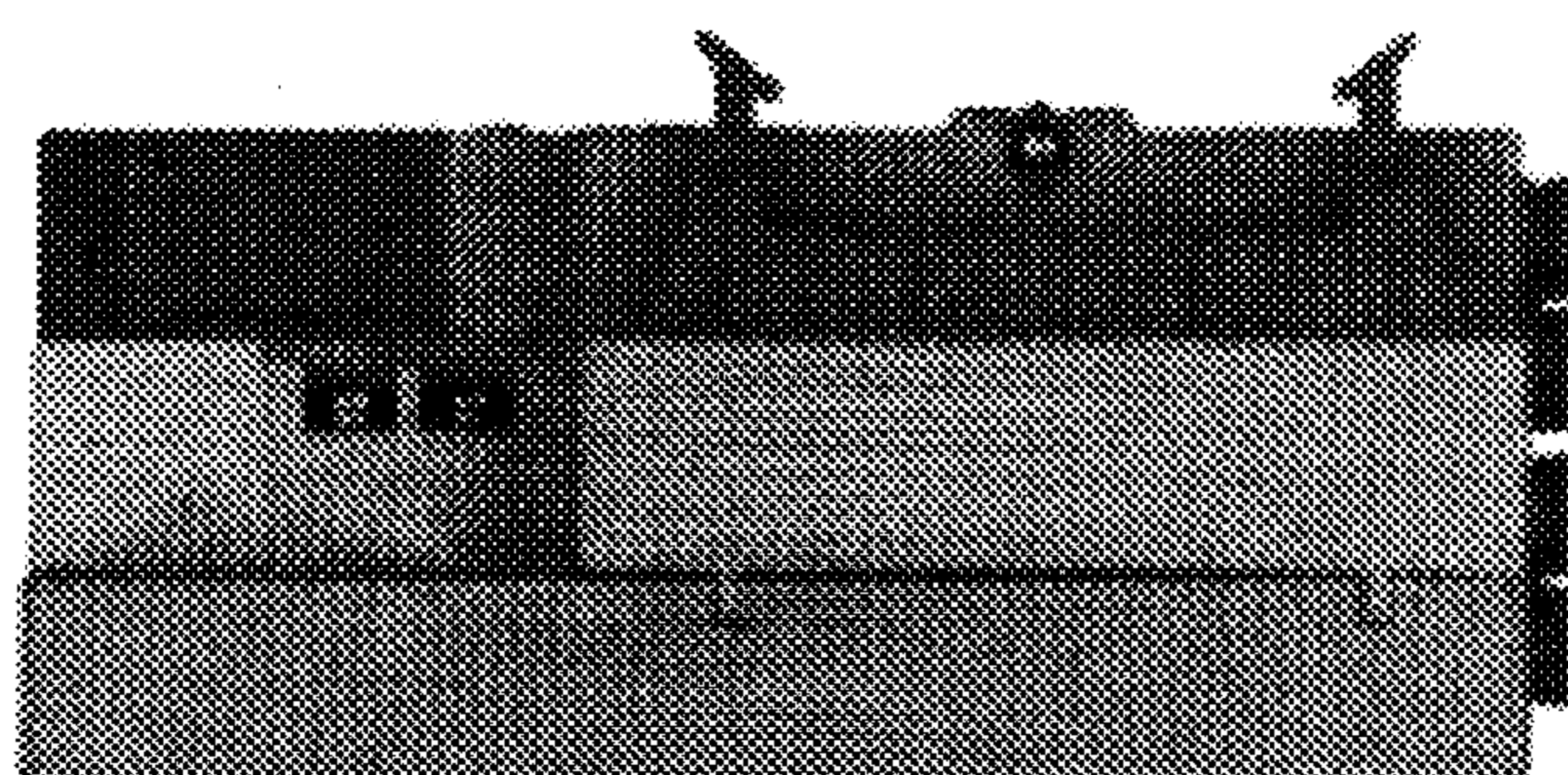


FIG. 10